



US00D823925S

(12) **United States Design Patent**  
**Hatcher et al.**

(10) **Patent No.:** **US D823,925 S**

(45) **Date of Patent:** **\*\* Jul. 24, 2018**

(54) **BASE FOR CAMERA MOUNT**

(71) Applicant: **Axon Enterprise, Inc.**, Scottsdale, AZ (US)

(72) Inventors: **Jonathan R. Hatcher**, Phoenix, AZ (US); **Craig R. Williams**, Phoenix, AZ (US); **Kevin Walsh**, Scottsdale, AZ (US); **Nathan A. Patulski**, Scottsdale, AZ (US)

(73) Assignee: **AXON ENTERPRISE, INC.**, Scottsdale, AZ (US)

(\*\*) Term: **15 Years**

(21) Appl. No.: **29/612,433**

(22) Filed: **Aug. 1, 2017**

(51) **LOC (11) Cl.** ..... **16-05**

(52) **U.S. Cl.**  
USPC ..... **D16/242**

(58) **Field of Classification Search**  
USPC ..... D16/219, 237-250; D14/224, 229, 238, D14/251, 447, 451, 457; D8/354, 355, D8/363, 373, 382, 383, 394, 395, 396  
CPC ..... G03B 17/56; G03B 17/561-17/568; G02B 7/00-7/002; H04N 5/2253-5/2254;  
(Continued)

(56) **References Cited**

**U.S. PATENT DOCUMENTS**

D239,082 S \* 3/1976 Manning ..... D8/383  
D411,209 S \* 6/1999 Richter ..... D14/253  
D544,787 S \* 6/2007 Dash ..... D8/395

(Continued)

**OTHER PUBLICATIONS**

Visor Clip Camera Mount by Novotm. [online] Published on Nov. 20, 2013. Retrieved Apr. 19, 2018 from URL: <https://www.amazon.com/Visor-Clip-Camera-Mount-Novotm/dp/B00GT2VWZU>.\*

(Continued)

*Primary Examiner* — Vy N Koenig

(74) *Attorney, Agent, or Firm* — Lawrence Letham; Mitch Chase

(57) **CLAIM**

The ornamental design for a base for a camera mount, as shown and described.

**DESCRIPTION**

FIG. 1 is a top, front and left side perspective view of a base for a camera mount showing our new design, with the bottom of the base oriented downward with respect to the page;

FIG. 2 is a left side view of the base with the bottom oriented downward;

FIG. 3 is a right side view of the base with the bottom oriented downward;

FIG. 4 is a front view of the base with the bottom oriented downward;

FIG. 5 is a top view of the base with the left side oriented downward;

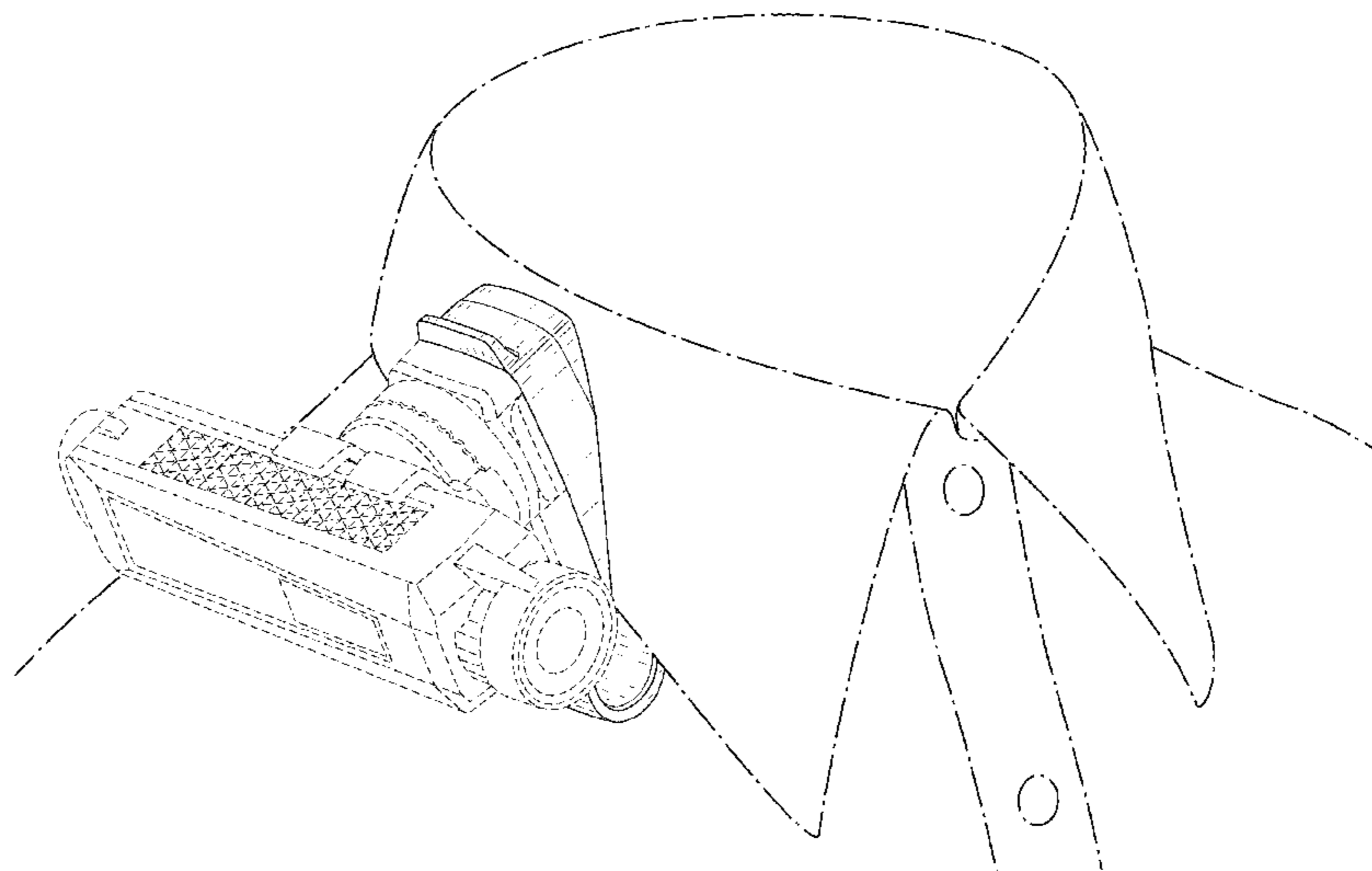
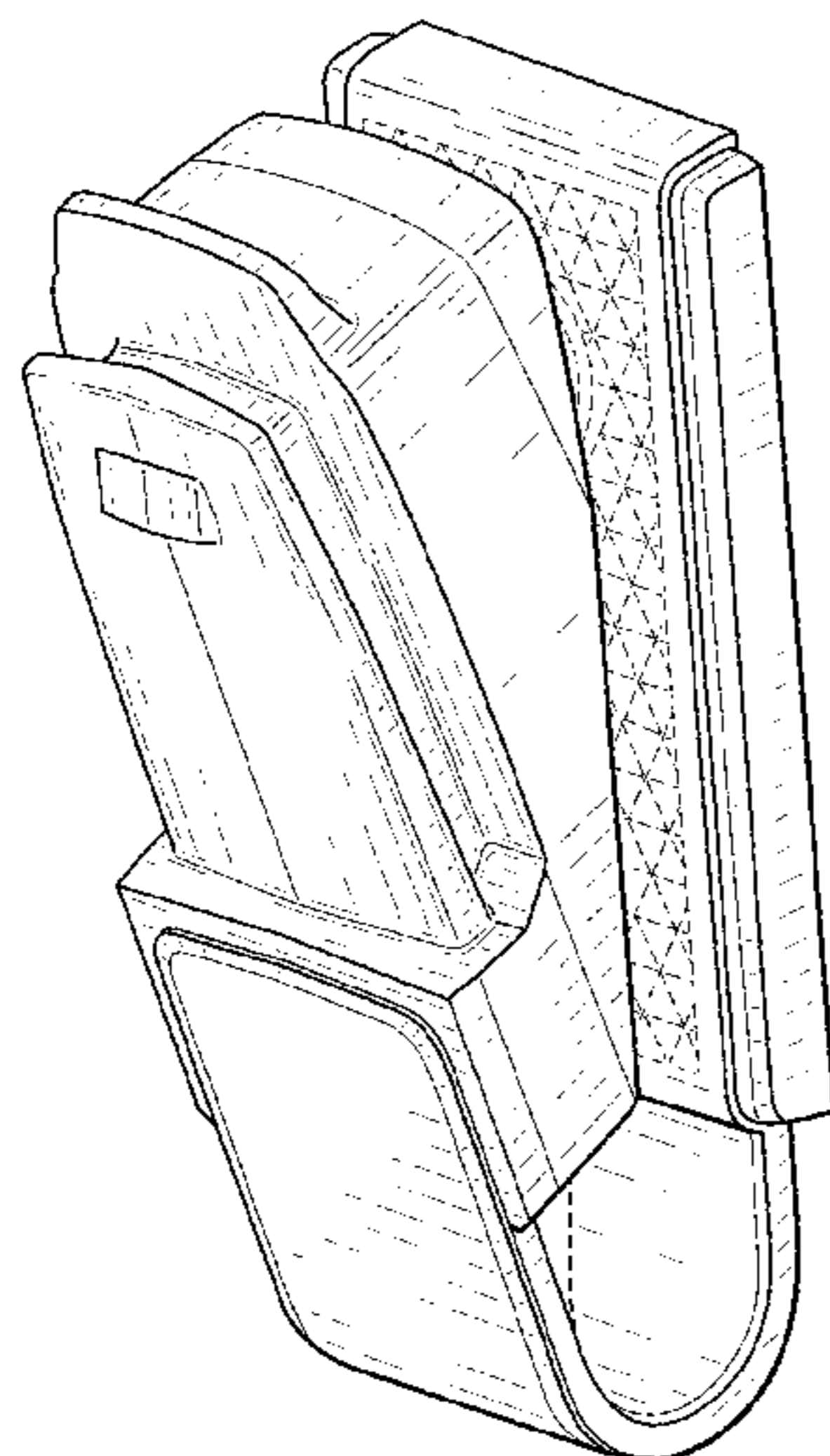
FIG. 6 is a bottom view of the base with the right side oriented downward;

FIG. 7 is a perspective view of the base coupled to a shirt collar, the perspective view showing the front, the left side, and the top of the base, the left side of the base coupled to a camera mount and the camera mount coupled to a camera, the camera mount obscuring a portion of the left side and the collar obscuring a portion of the top; and,

FIG. 8 is a perspective view of the base coupled to another collar, the perspective view showing the front, the left side, and the top of the base, the left side of the base coupled to a camera mount and the camera mount coupled to a camera, the camera mount obscuring a portion of the left side.

The dashed lines in the drawing show structure of the environment and form no part of the claimed design.

**1 Claim, 7 Drawing Sheets**



(58) **Field of Classification Search**  
 CPC . F16M 11/06–11/10; F16M 11/14; A45F 5/10  
 See application file for complete search history.

(56) **References Cited**

U.S. PATENT DOCUMENTS

D564,006 S \* 3/2008 Stephens ..... D16/208  
 D564,559 S \* 3/2008 Stephens ..... D16/208  
 7,775,486 B2 \* 8/2010 Depay ..... F16M 11/10  
 248/121  
 D628,615 S \* 12/2010 Siegel ..... D16/237  
 D633,376 S \* 3/2011 Heath ..... D8/383  
 D642,164 S \* 7/2011 Liner ..... D14/223  
 D659,526 S \* 5/2012 Boucher-Gagne ..... D8/395  
 D689,114 S \* 9/2013 Green ..... D16/242  
 D710,836 S \* 8/2014 Wengreen ..... D14/238  
 D712,951 S \* 9/2014 Chou ..... D16/202  
 D715,630 S \* 10/2014 Szymanski ..... D8/395  
 D732,927 S \* 6/2015 Booth ..... D8/349  
 D739,387 S \* 9/2015 Fujioka ..... D14/224

D757,533 S \* 5/2016 Ormsbee ..... D8/395  
 9,596,926 B1 \* 3/2017 Volmer ..... A45F 5/02  
 D795,844 S \* 8/2017 Harper ..... D14/223  
 D796,945 S \* 9/2017 Stokeley ..... D8/395  
 D798,306 S \* 9/2017 Wengreen ..... D14/447  
 D800,823 S \* 10/2017 Druker ..... D16/242  
 D810,179 S \* 2/2018 Harms ..... D16/237  
 2003/0101551 A1 \* 6/2003 Levesque ..... A44B 99/00  
 24/545  
 2007/0264169 A1 \* 11/2007 Chen ..... A61L 9/12  
 422/124

OTHER PUBLICATIONS

Gopro Mount Backpack Bag Belt Clip . [online] Published on Dec. 22, 2017. Retrieved Apr. 19, 2018 from URL: <https://www.aliexpress.com/item/Gopro-Accessories-Gopro-Mount-360-Degree-Rotation-Backpack-Bag-Belt-Clip-Clamp-For-Xiaomi-Yi-Camera/32718290338.html>.\*

\* cited by examiner

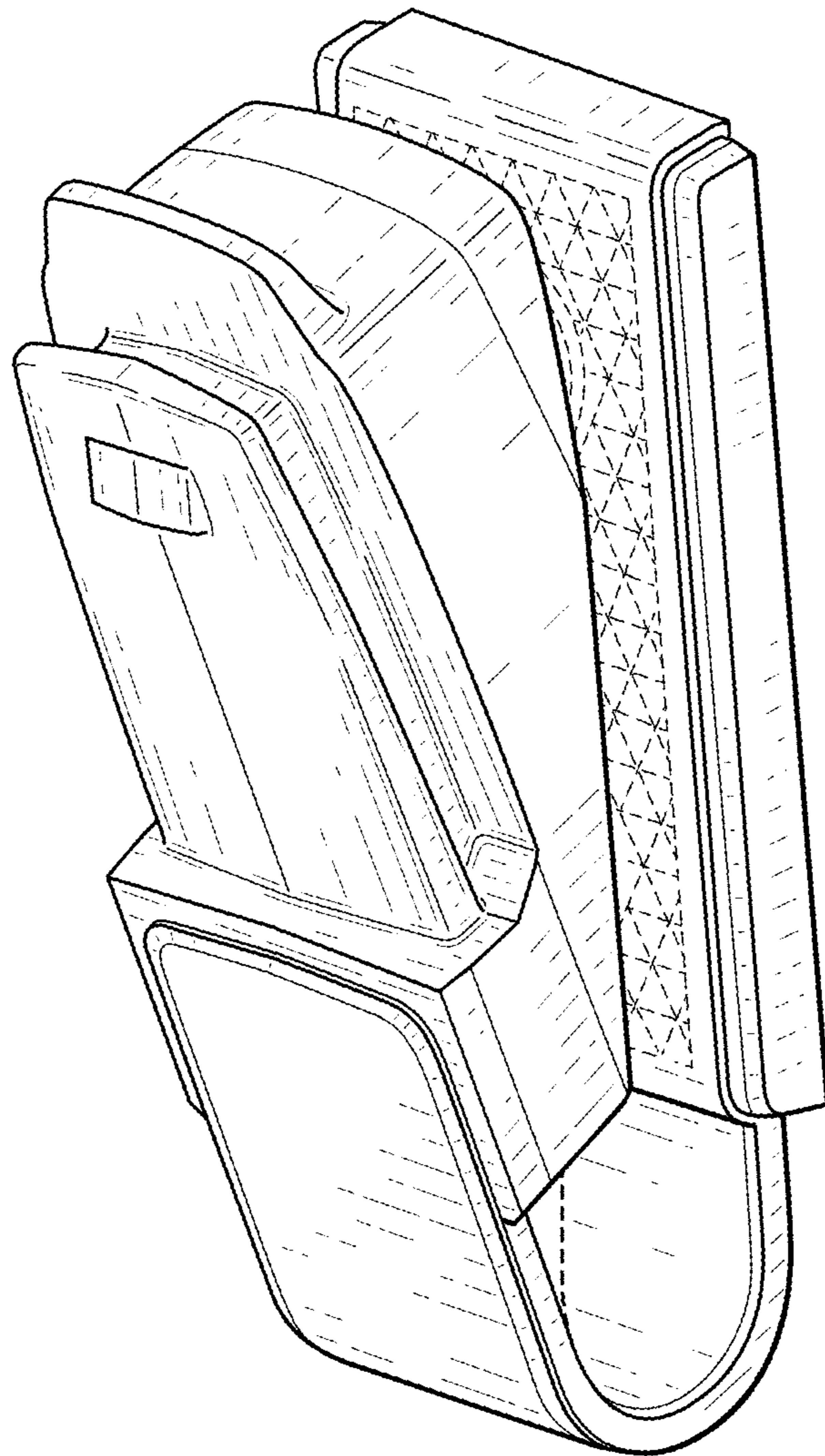


FIG. 1

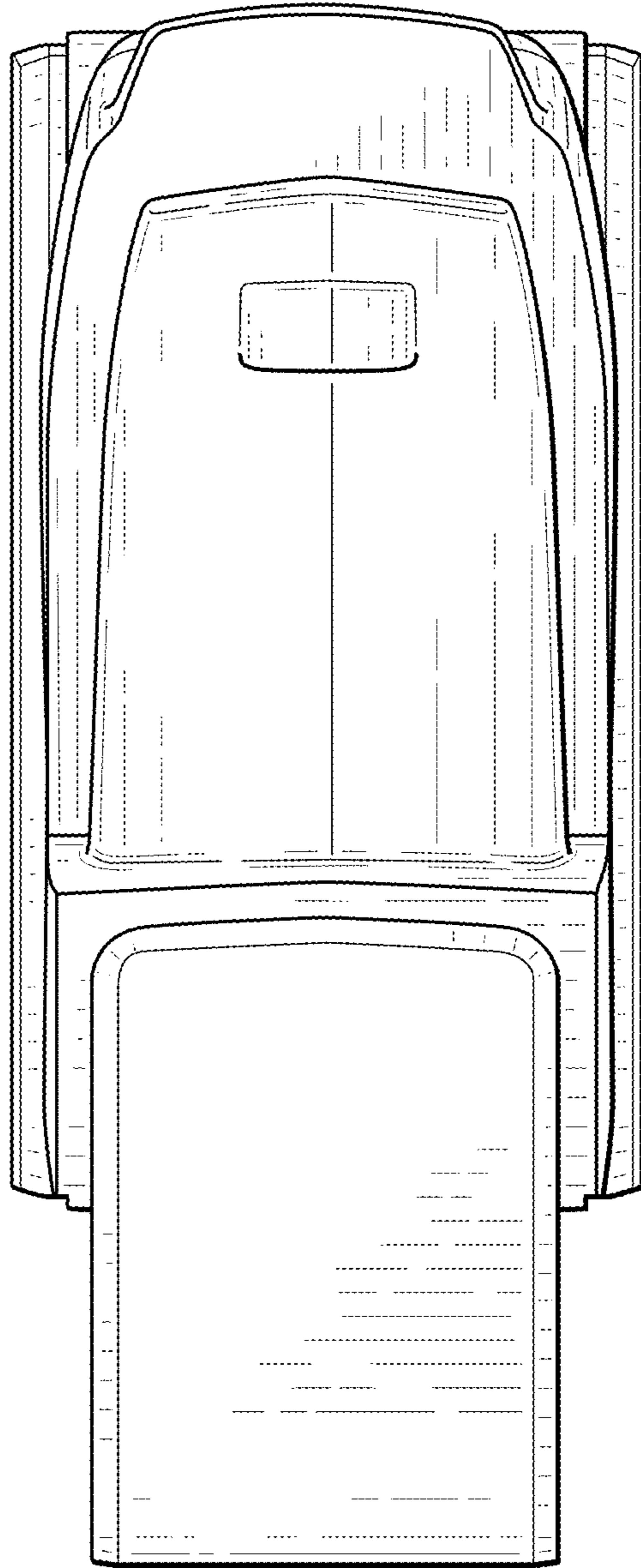


FIG. 2

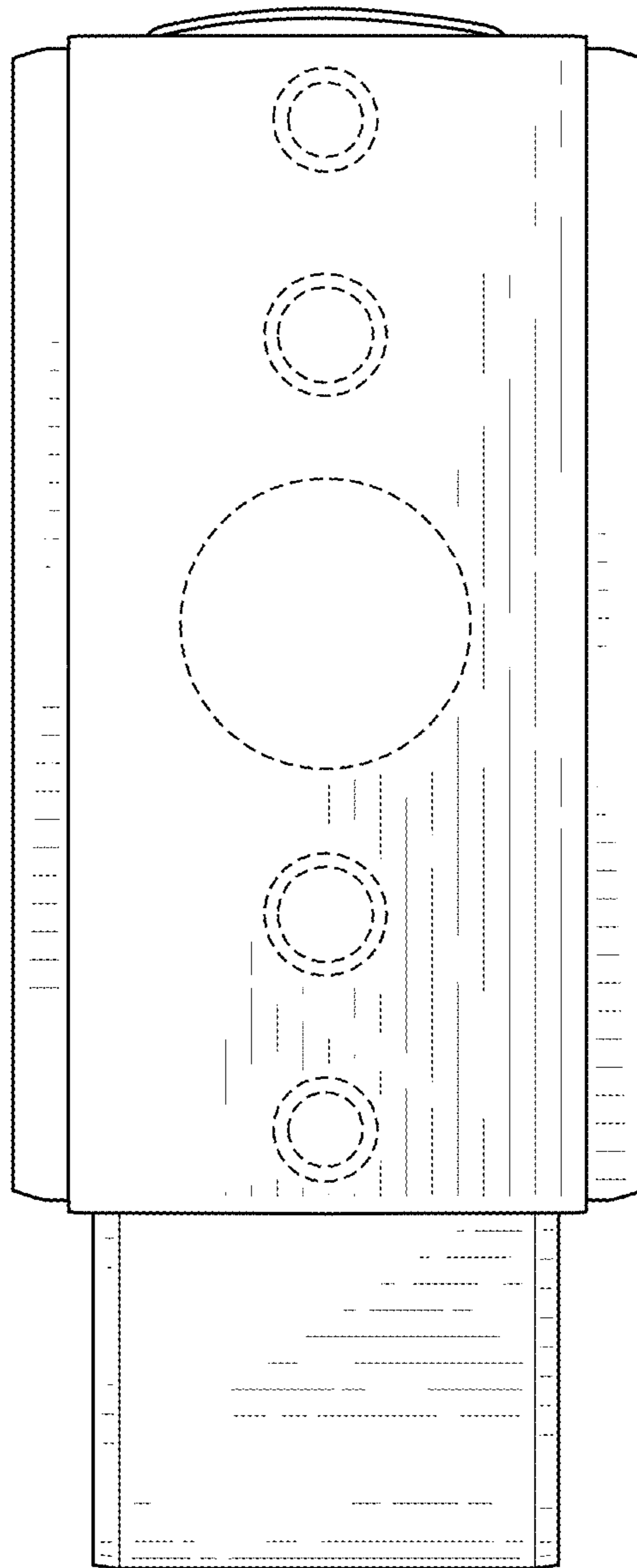


FIG. 3

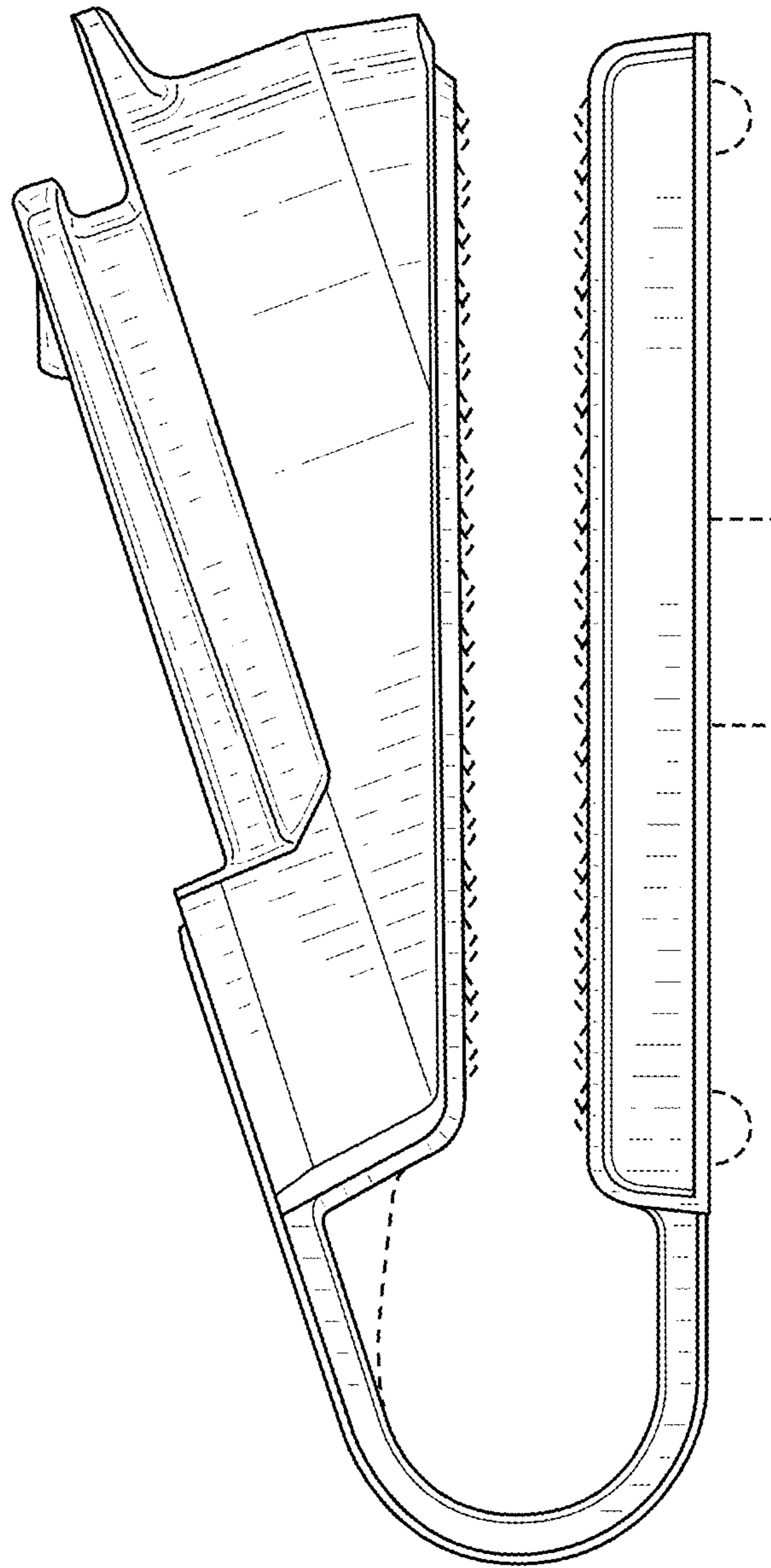


FIG. 4

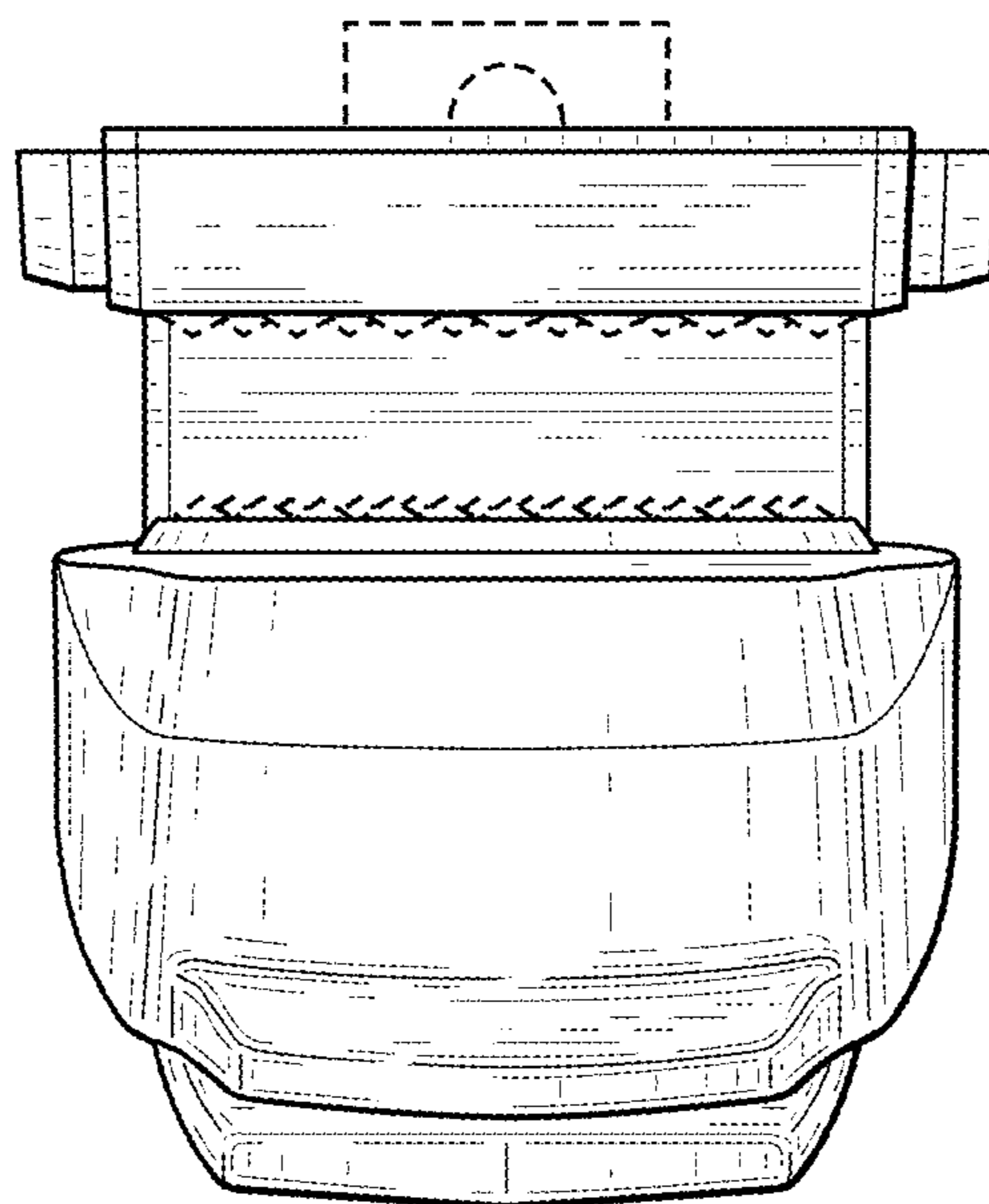


FIG. 5

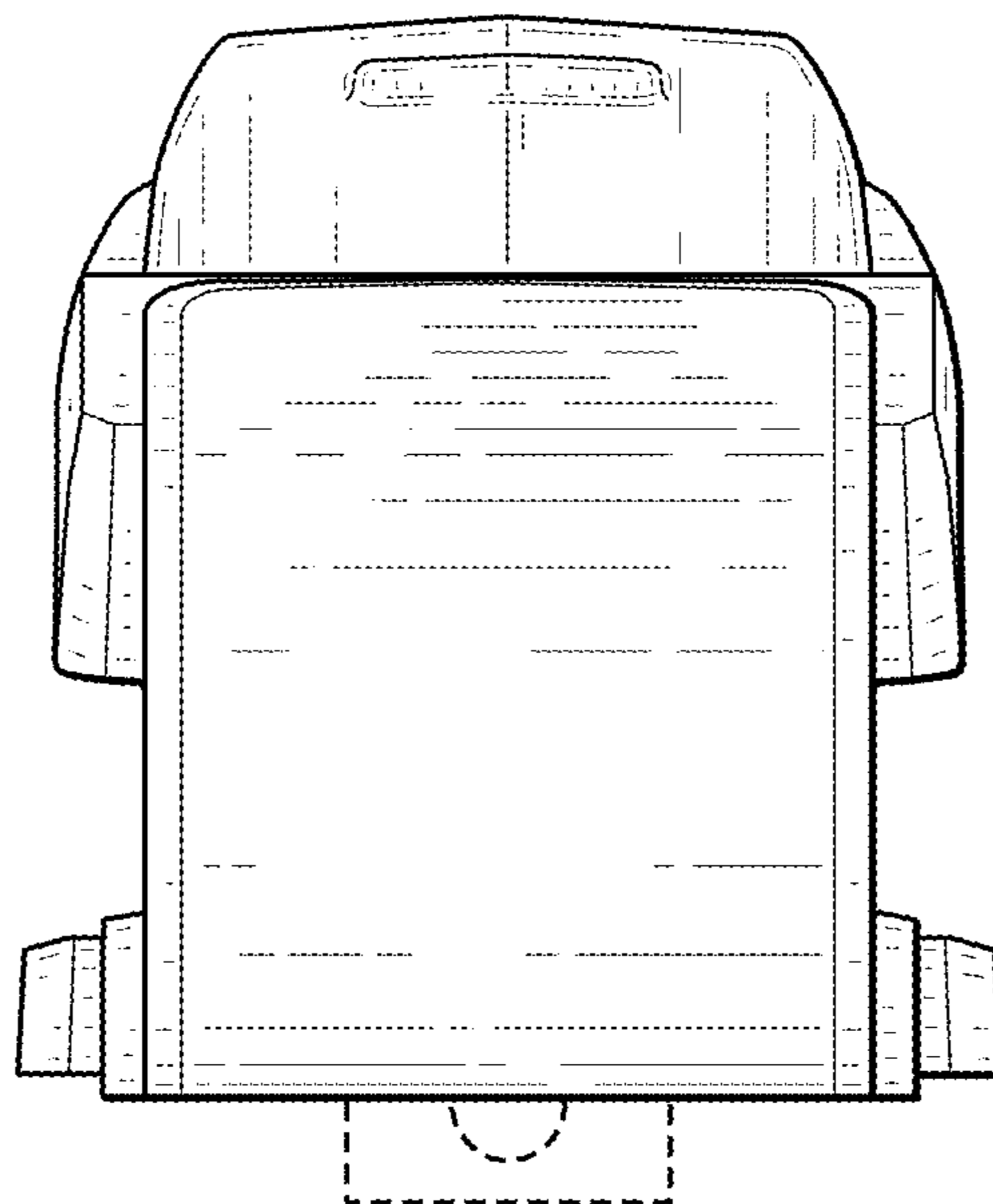


FIG. 6

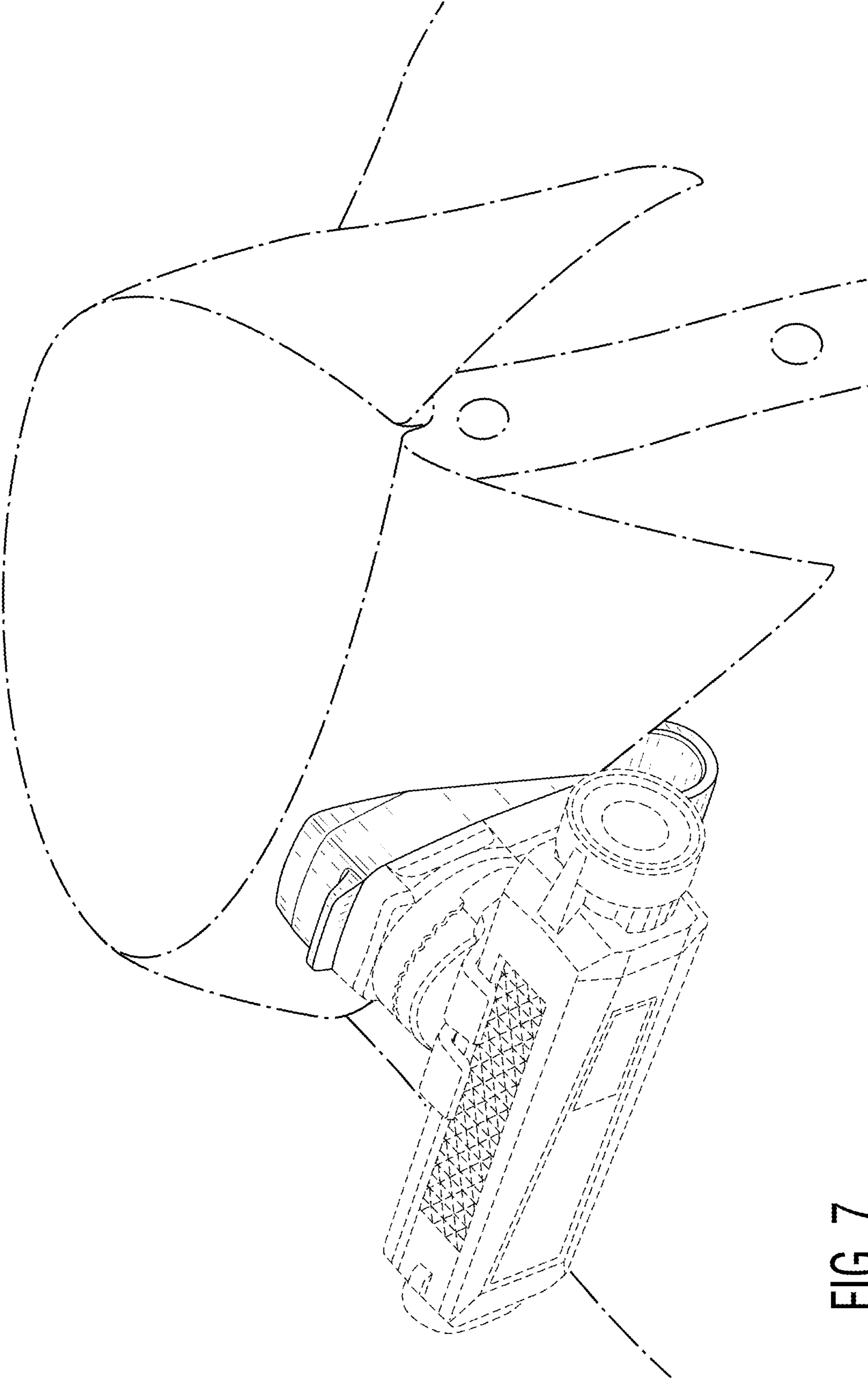


FIG. 7



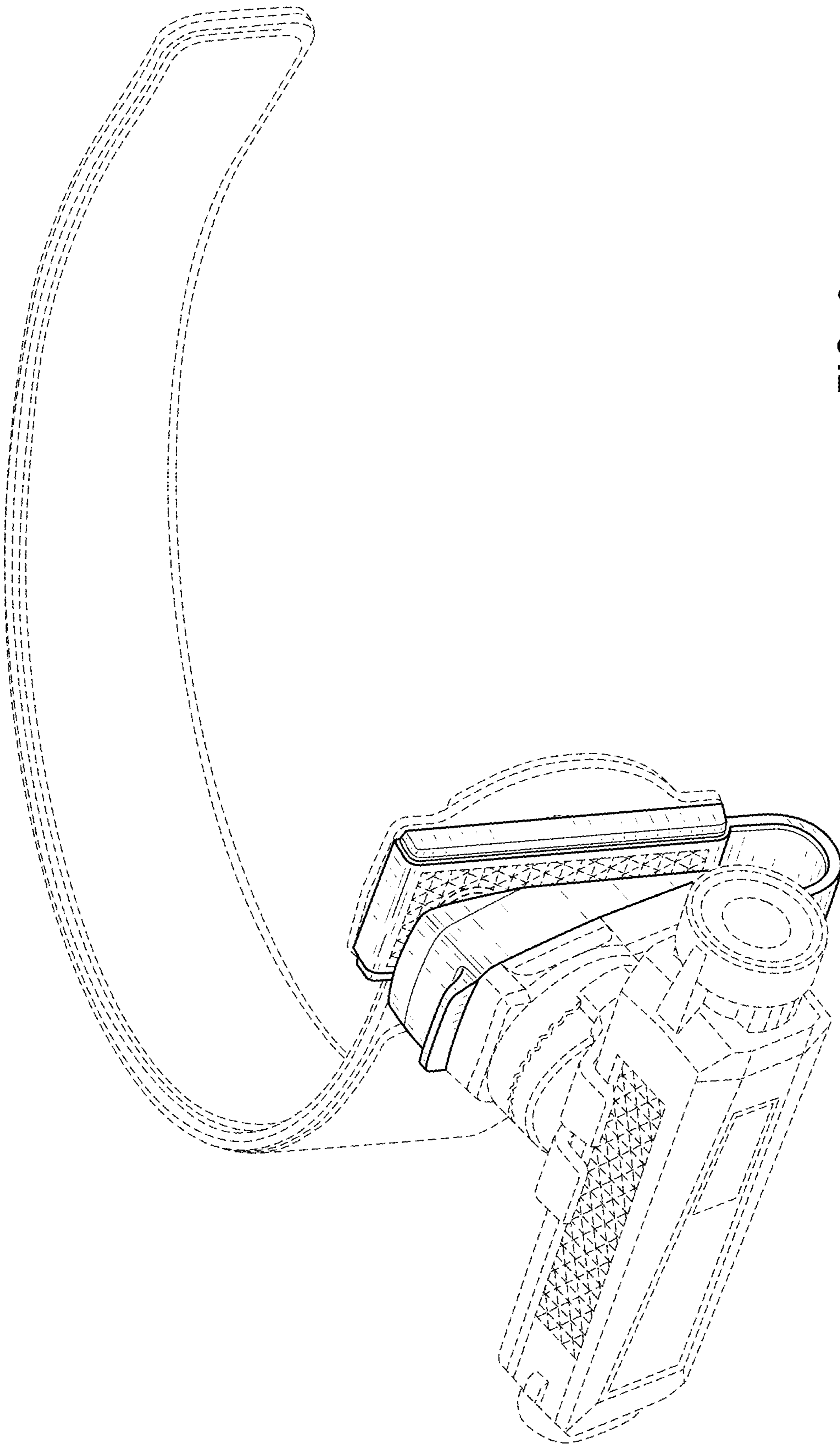


FIG. 8