



US00D823924S

(12) **United States Design Patent**
Ikegame

(10) **Patent No.:** **US D823,924 S**

(45) **Date of Patent:** **** Jul. 24, 2018**

(54) **LENS FOR CAMERA**

(71) Applicant: **FUJIFILM Corporation**, Tokyo (JP)

(72) Inventor: **Haruka Ikegame**, Saitama (JP)

(73) Assignee: **FUJIFILM Corporation**, Tokyo (JP)

(**) Term: **15 Years**

(21) Appl. No.: **29/595,285**

(22) Filed: **Feb. 27, 2017**

(30) **Foreign Application Priority Data**

Aug. 31, 2016 (JP) 2016-018649

(51) **LOC (11) Cl.** **16-05**

(52) **U.S. Cl.**
USPC **D16/219**

(58) **Field of Classification Search**
USPC D16/200–220, 131, 250, 163; D8/16,
D8/373

CPC ... G02B 7/02; G02B 7/04; G02B 7/14; G02B
3/14; G03B 17/00; G03B 17/02; G03B
17/56; G03B 17/04; G03B 17/14; G03B
15/03; G03B 9/08; H04N 5/2251; H04N
5/2252; H04N 5/2253; H04N 5/2254;
H04N 7/00; H04N 2101/00; F16M 13/00
See application file for complete search history.

(56) **References Cited**

U.S. PATENT DOCUMENTS

D382,000 S *	8/1997	Watanabe	D16/217
D412,922 S *	8/1999	Sekine	D16/134
D460,471 S *	7/2002	Oda	D16/202
D464,070 S *	10/2002	Miyashita	D16/202
D505,438 S *	5/2005	Kojima	D16/202
D508,937 S *	8/2005	Sadatsuki	D16/202
D515,123 S *	2/2006	Kojima	D16/202
D530,354 S *	10/2006	Tanifuji	D16/202
D563,447 S *	3/2008	Narita	D16/202

D569,405 S *	5/2008	Ota	D16/202
D573,625 S *	7/2008	Watanabe	D16/134
D576,187 S *	9/2008	Hayashi	D16/202
D583,847 S *	12/2008	Watanabe	D16/134
D671,586 S *	11/2012	Asano	D16/219
D751,136 S *	3/2016	Musec	D16/208
D770,553 S *	11/2016	Schild	D16/202
D783,700 S *	4/2017	Tagawa	D16/219

(Continued)

OTHER PUBLICATIONS

Development of Professional-use Mirrorless Camera System
GFX_104, published Sep. 19, 2016 [online], [retrieved Feb. 27,
2018], Available from Internet, URL: <<https://www.youtube.com/watch?v=Ggikv6m8FNs>> at approximately 1:04.*

Primary Examiner — Barbara Fox

Assistant Examiner — Mary C Ramirez

(74) *Attorney, Agent, or Firm* — Sughrue Mion, PLLC

(57) **CLAIM**

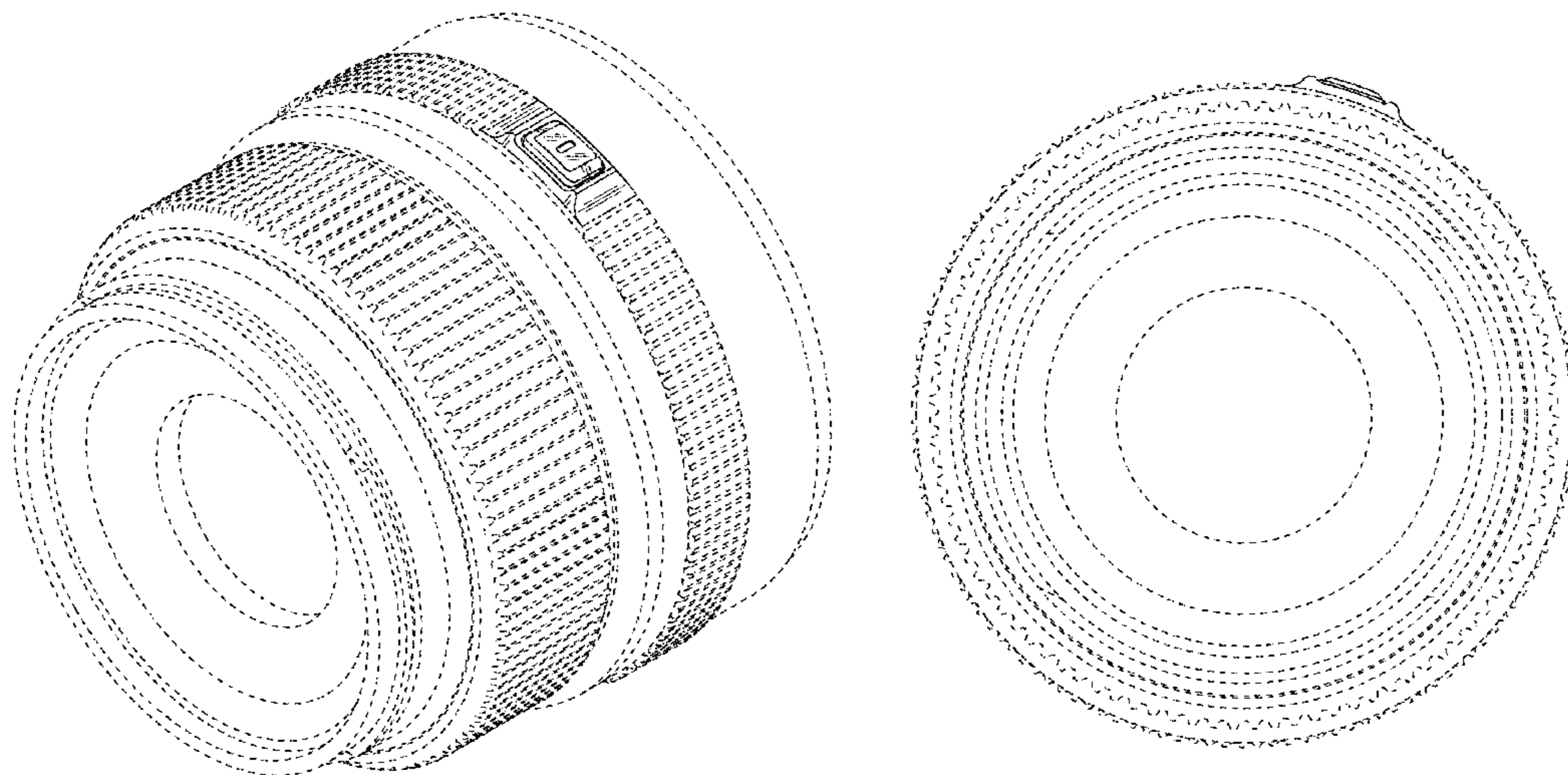
The ornamental design for a lens for camera, as shown and
described.

DESCRIPTION

FIG. 1 is a front, top, right perspective view of a lens for
camera showing the new design;
FIG. 2 is a rear, top, left perspective view thereof;
FIG. 3 is a front view thereof;
FIG. 4 is a rear view thereof;
FIG. 5 is a plan view thereof;
FIG. 6 is a bottom view thereof;
FIG. 7 is a right side view thereof; and,
FIG. 8 is a left side view thereof.

The evenly spaced broken lines shown in the drawings
depict portions of the lens for camera that form no part of the
claimed design. The long-short broken lines depict the
boundary of the claim and form no part of the claimed
design.

1 Claim, 8 Drawing Sheets



(56)

References Cited

U.S. PATENT DOCUMENTS

9,625,687	B2 *	4/2017	Takahashi	G02B 15/14
2005/0200752	A1 *	9/2005	Kim	G03B 17/02 348/376
2008/0063392	A1 *	3/2008	Ahn	G03B 17/02 396/423
2010/0073507	A1 *	3/2010	Honjo	G03B 17/14 348/222.1
2011/0164871	A1 *	7/2011	Shintani	G03B 9/40 396/484
2011/0221917	A1 *	9/2011	Cho	G02B 7/10 348/222.1
2012/0257284	A1 *	10/2012	Okamoto	G02B 7/004 359/630
2013/0088632	A1 *	4/2013	Korekuni	H04N 5/23209 348/335
2014/0169781	A1 *	6/2014	Araki	G02B 7/102 396/529
2015/0049204	A1 *	2/2015	Okabe	G03B 17/12 348/207.1
2015/0124161	A1 *	5/2015	Chikada	G03B 17/02 348/373

* cited by examiner

FIG. 1

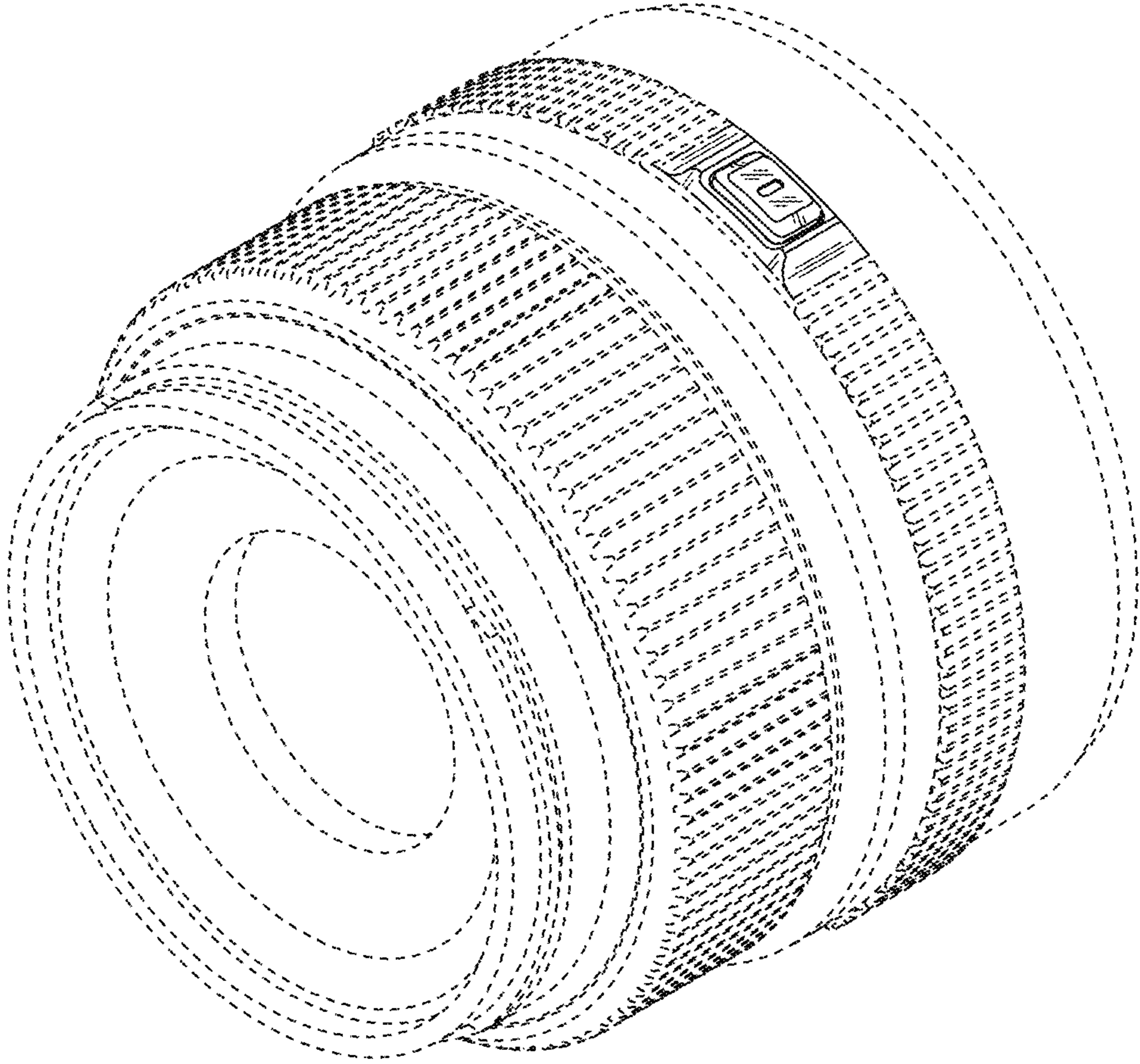


FIG. 2

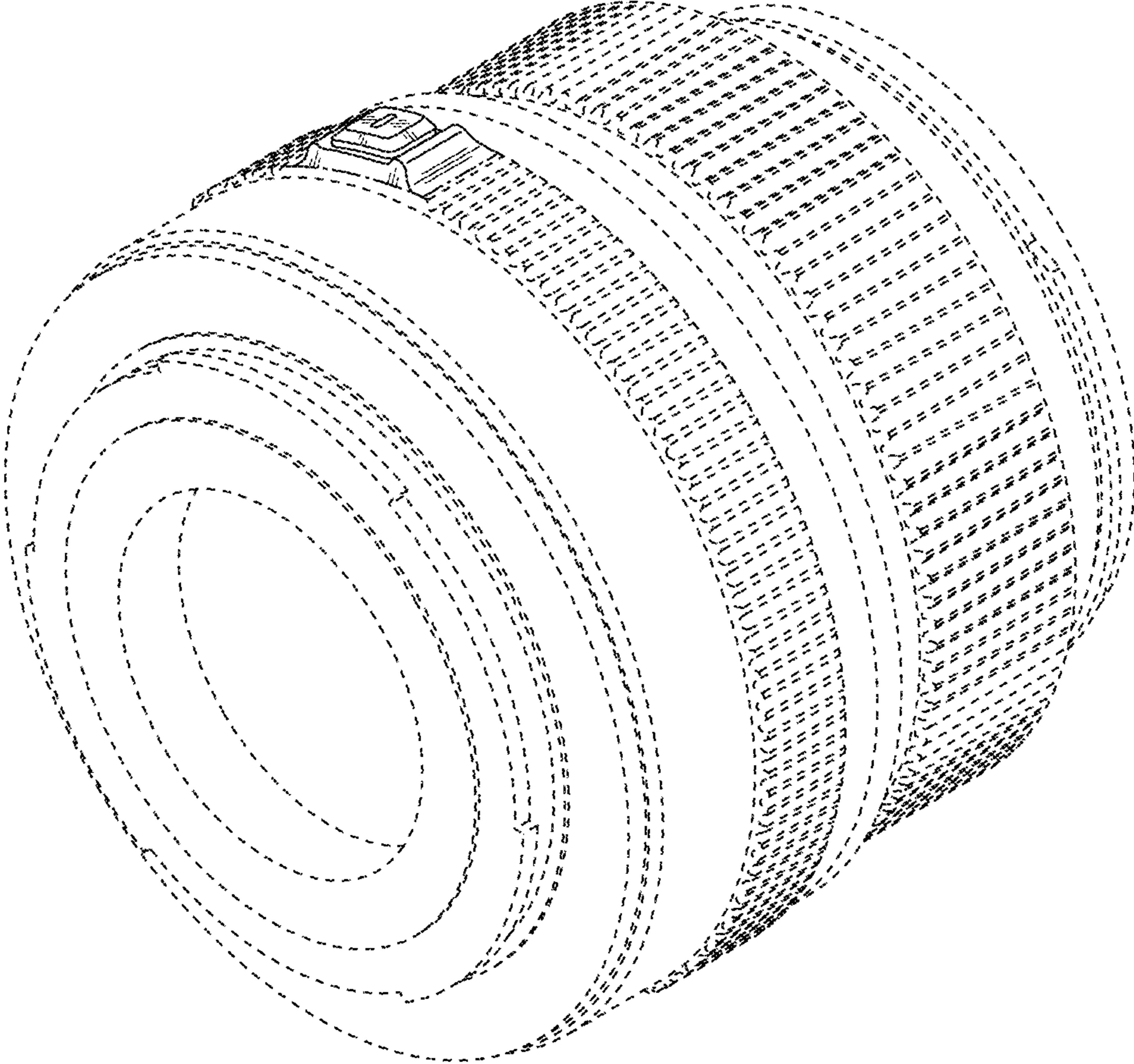


FIG. 3

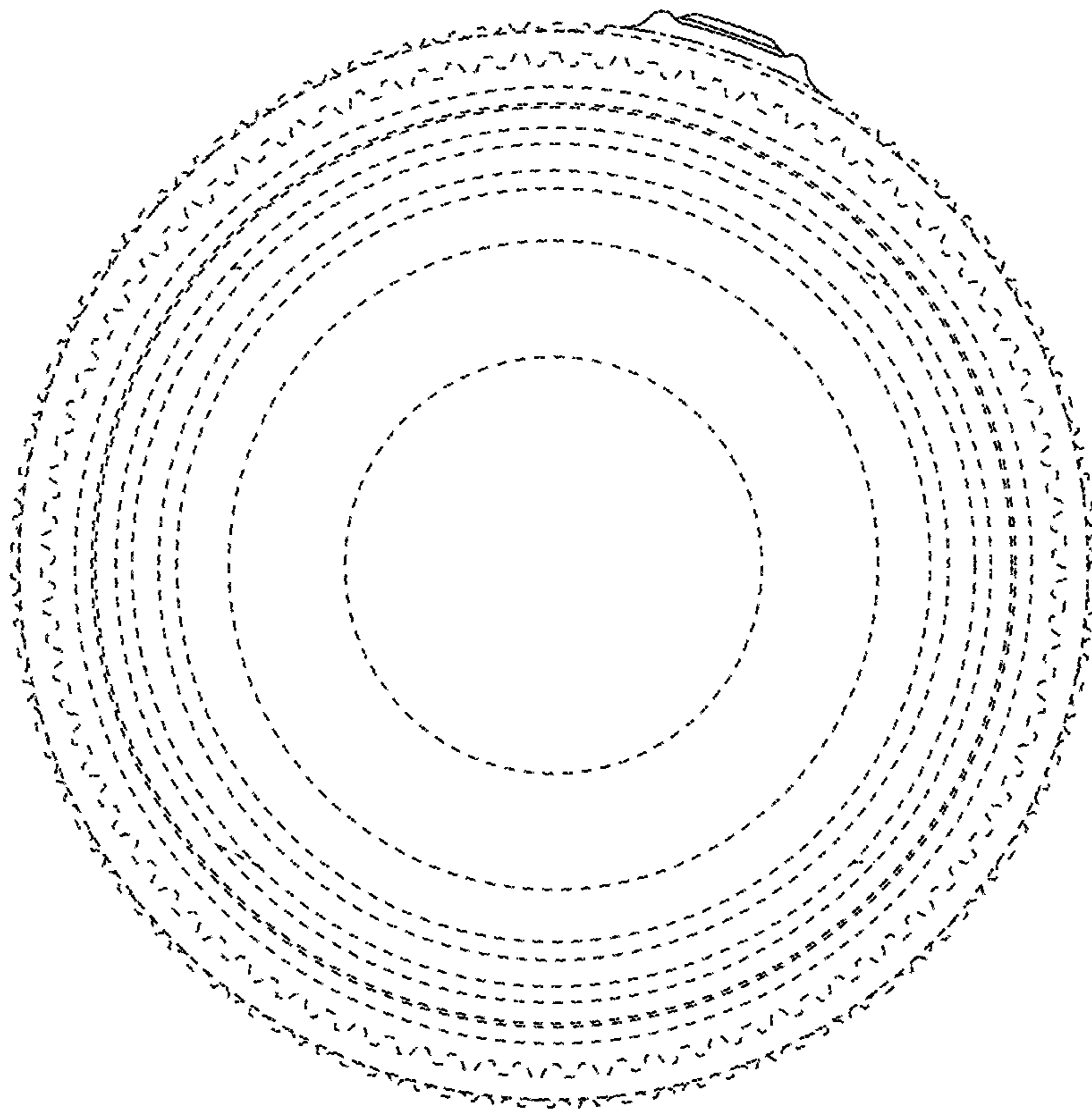


FIG. 4

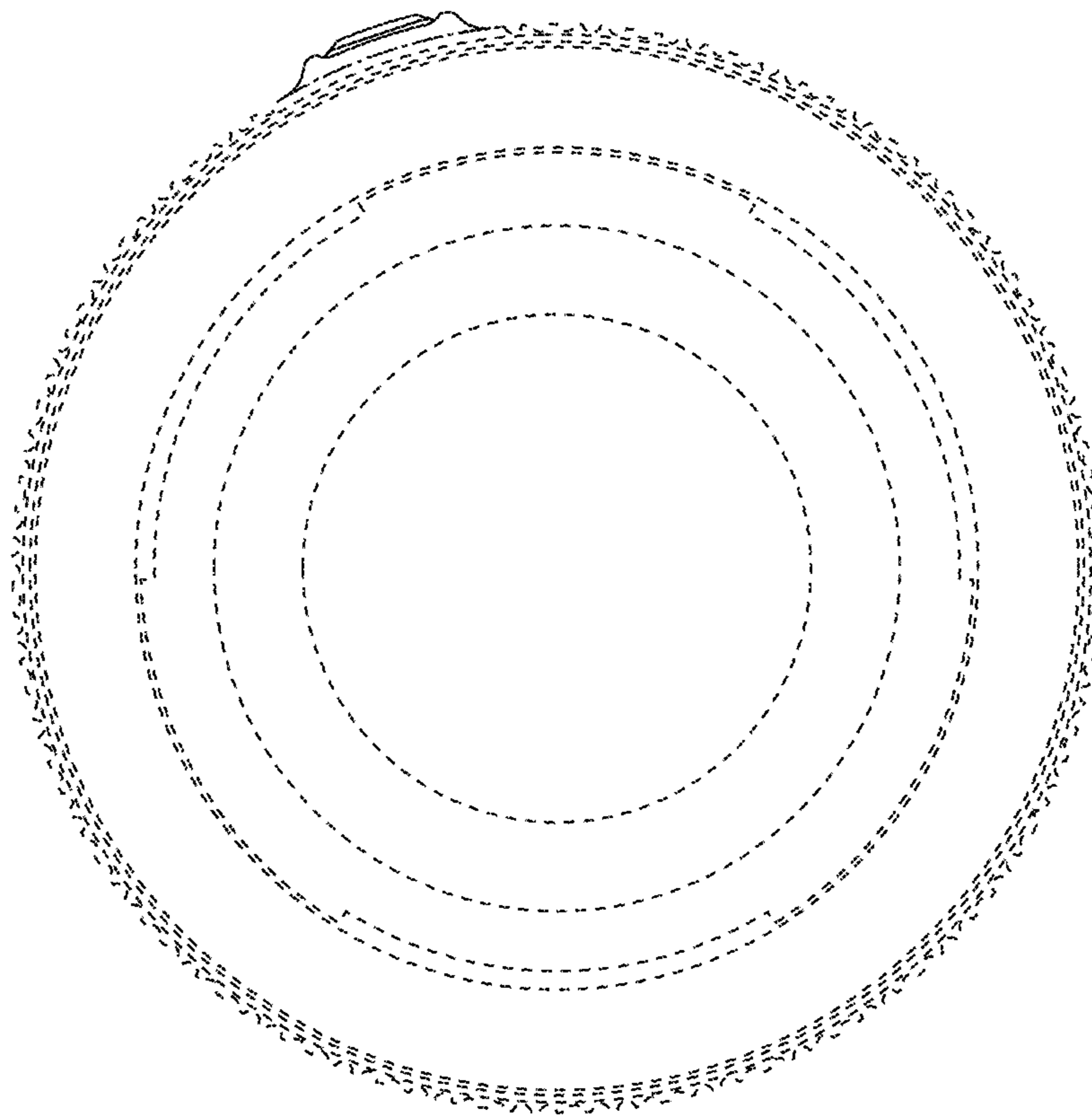


FIG. 5

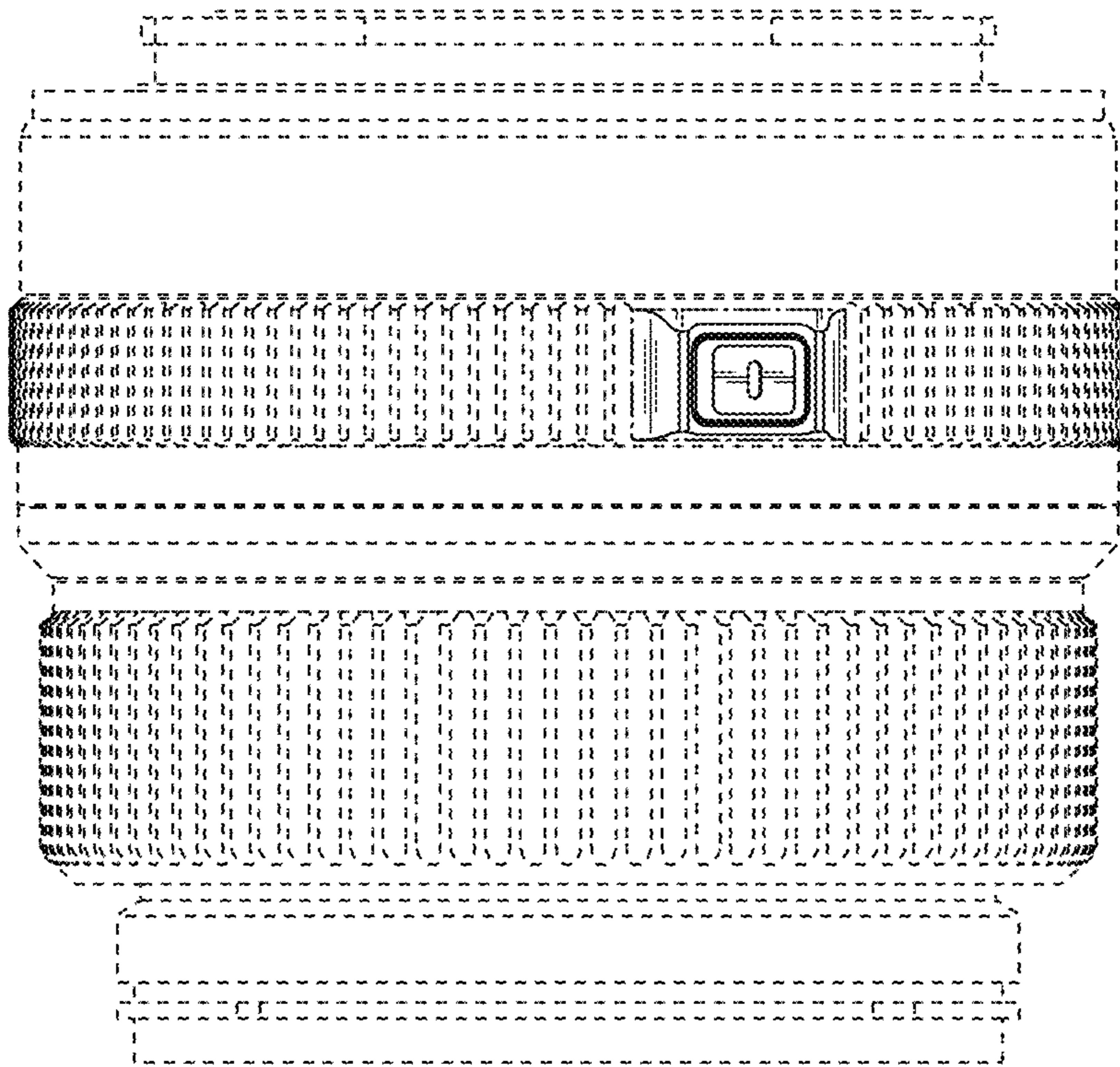


FIG. 6

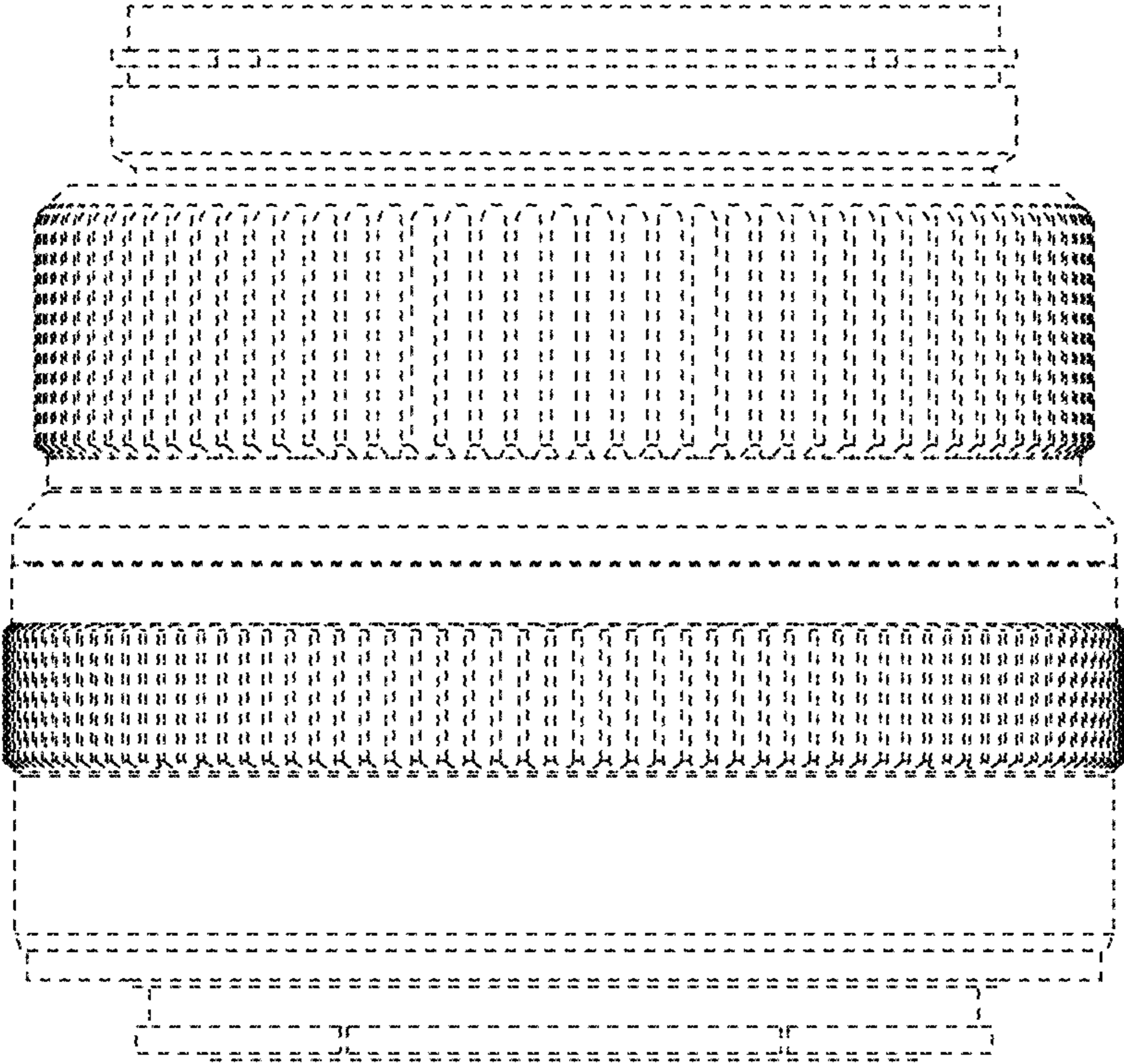


FIG. 7

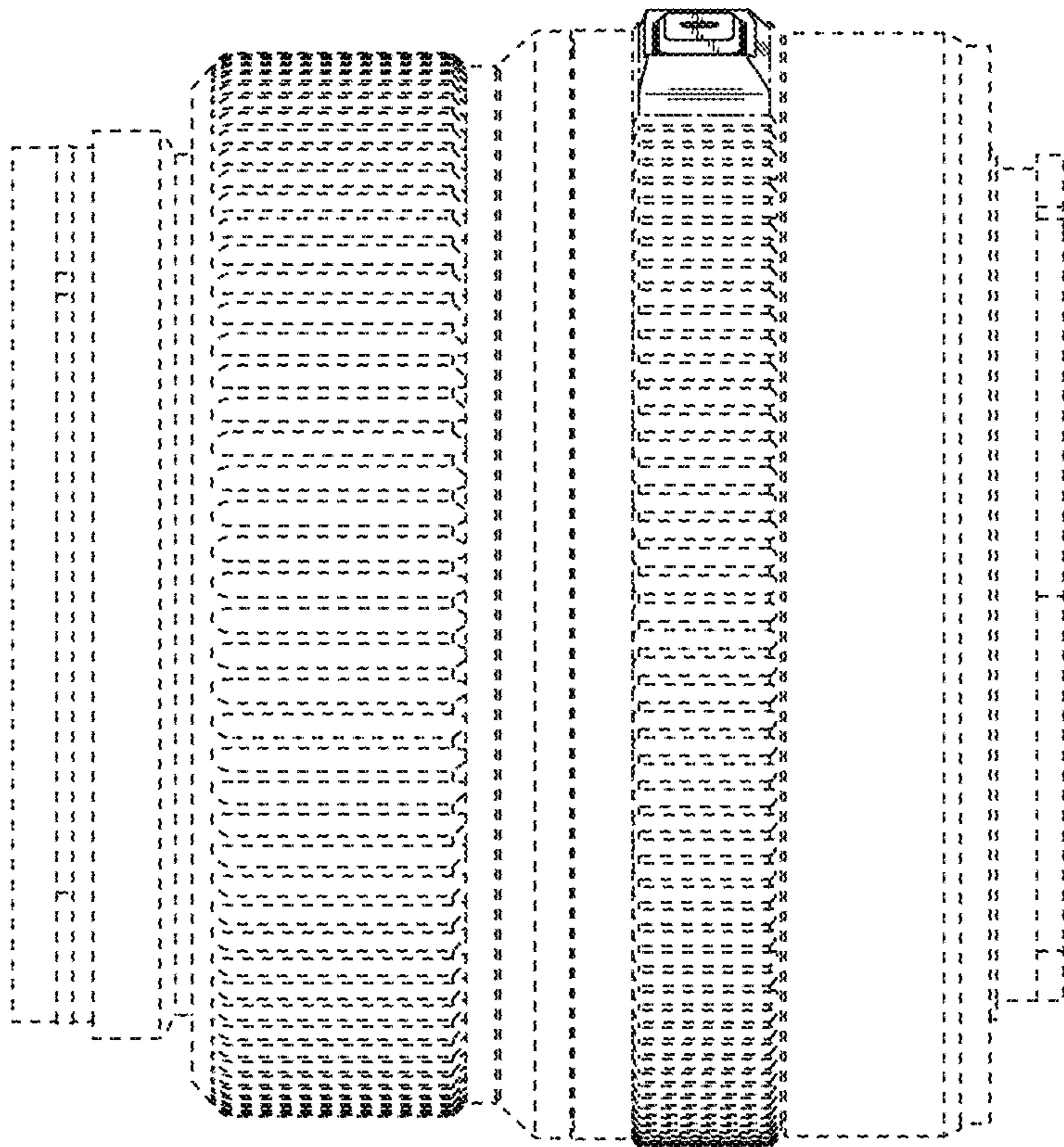


FIG. 8

