



US00D823923S

(12) **United States Design Patent**  
**Imai**

(10) **Patent No.:** **US D823,923 S**  
(45) **Date of Patent:** **\*\* Jul. 24, 2018**

(54) **DIGITAL CAMERA**

(71) Applicant: **FUJIFILM Corporation**, Tokyo (JP)

(72) Inventor: **Masazumi Imai**, Saitama (JP)

(73) Assignee: **FUJIFILM Corporation**, Minato-Ku,  
Tokyo (JP)

(\*\*) Term: **15 Years**

(21) Appl. No.: **29/595,277**

(22) Filed: **Feb. 27, 2017**

(30) **Foreign Application Priority Data**

Aug. 31, 2016 (JP) ..... 2016-018674

(51) **LOC (11) Cl.** ..... **16-05**

(52) **U.S. Cl.**  
USPC ..... **D16/219**

(58) **Field of Classification Search**  
USPC ..... D16/200-220, 131, 250, 163; D8/16,  
D8/373  
CPC ... G02B 7/02; G02B 7/04; G02B 7/14; G02B  
3/14; G03B 17/00; G03B 17/02; G03B  
17/56; G03B 17/04; G03B 17/14; G03B  
15/03; G03B 9/08; H04N 5/2251; H04N  
5/2252; H04N 5/2253; H04N 5/2254;  
H04N 7/00; H04N 2101/00; F16M 13/00  
See application file for complete search history.

(56) **References Cited**

**U.S. PATENT DOCUMENTS**

D55,377 S \* 6/1920 Granz ..... D16/205  
D149,536 S \* 5/1948 Bach ..... D16/205  
D162,630 S \* 3/1951 Crapsey, Jr. .... D16/218  
D263,240 S \* 3/1982 Schultes ..... D16/209  
4,545,661 A \* 10/1985 Hamaguchi ..... G03B 17/52  
396/176  
D295,051 S \* 4/1988 Johnson ..... D16/211  
D321,525 S \* 11/1991 Izumi ..... D16/219  
D346,615 S \* 5/1994 Sumita ..... D16/202

D415,510 S \* 10/1999 Maeyama ..... D16/204  
D470,522 S \* 2/2003 Friedrichs ..... D16/208  
D530,354 S \* 10/2006 Tanifuji ..... D16/202  
D558,418 S \* 12/2007 Krauss ..... D32/46  
D630,661 S \* 1/2011 Meguro ..... D16/202  
D697,126 S \* 1/2014 Kim ..... D16/239  
D721,118 S \* 1/2015 Chai ..... D16/209  
D738,421 S \* 9/2015 Ham ..... D16/209

(Continued)

**OTHER PUBLICATIONS**

Genuine Fuji Fujifilm Hot Shoe Cover for Fujiuifilm GFX 50S,  
publication date unavailable [online], [retrieved Feb. 27, 2018],  
Available from Internet, URL: <<https://www.ebay.com/itm/GENU-INE-FUJI-FUJIFILM-HOT-SHOE-COVER-FOR-FUJIUFILM-GFX-50S/>>

332549163738?hash=item4d6d798ada:g:nilAAOSwJH5aVVma>.\*

(Continued)

*Primary Examiner* — Barbara Fox

*Assistant Examiner* — Mary C Ramirez

(74) *Attorney, Agent, or Firm* — Sughrue Mion, PLLC

(57) **CLAIM**

The ornamental design for a digital camera, as shown and described.

**DESCRIPTION**

FIG. 1 is a front, right perspective view of a digital camera showing the new design;

FIG. 2 is a rear, left perspective view thereof;

FIG. 3 is a front view thereof;

FIG. 4 is a rear view thereof;

FIG. 5 is a plan view thereof;

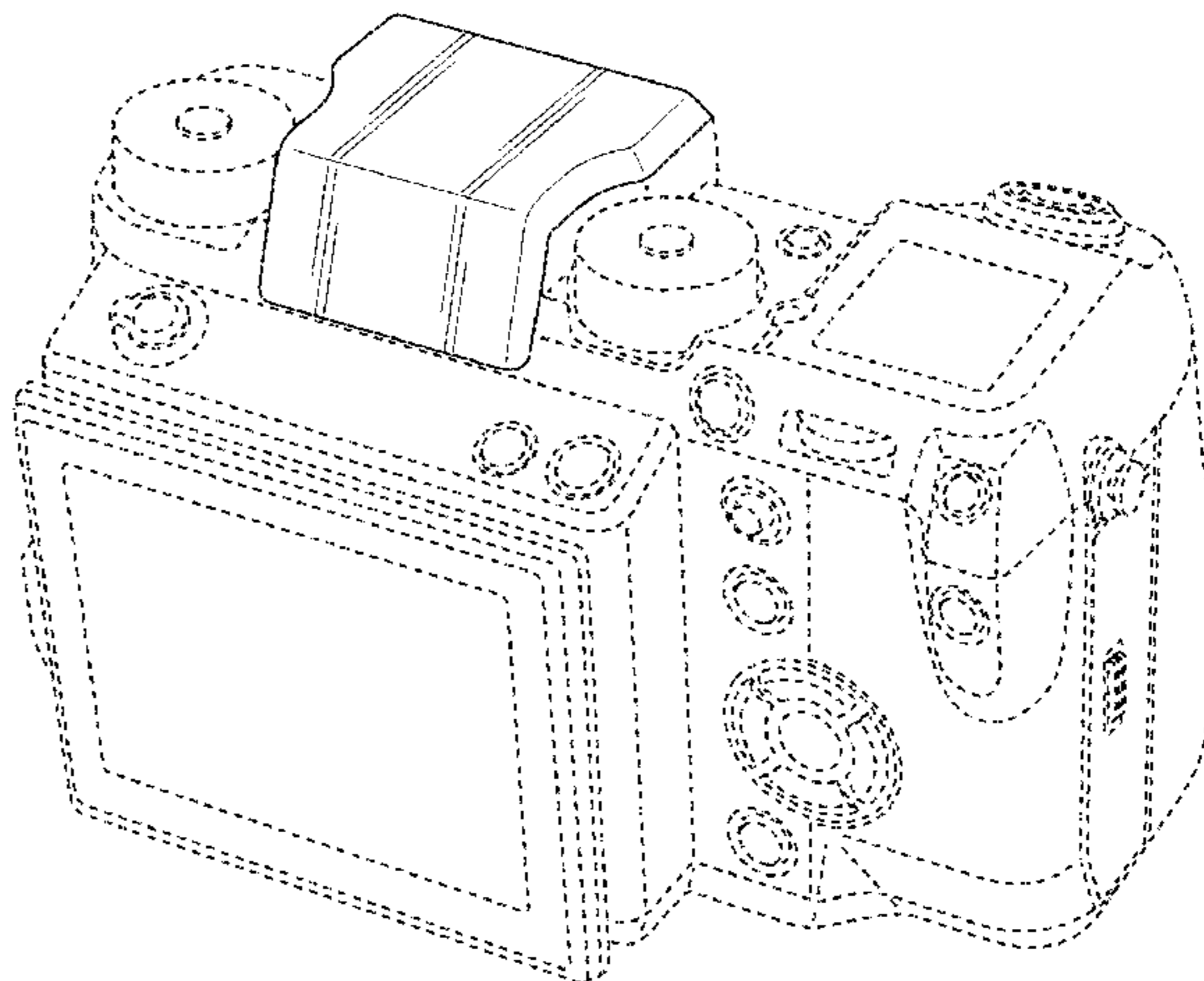
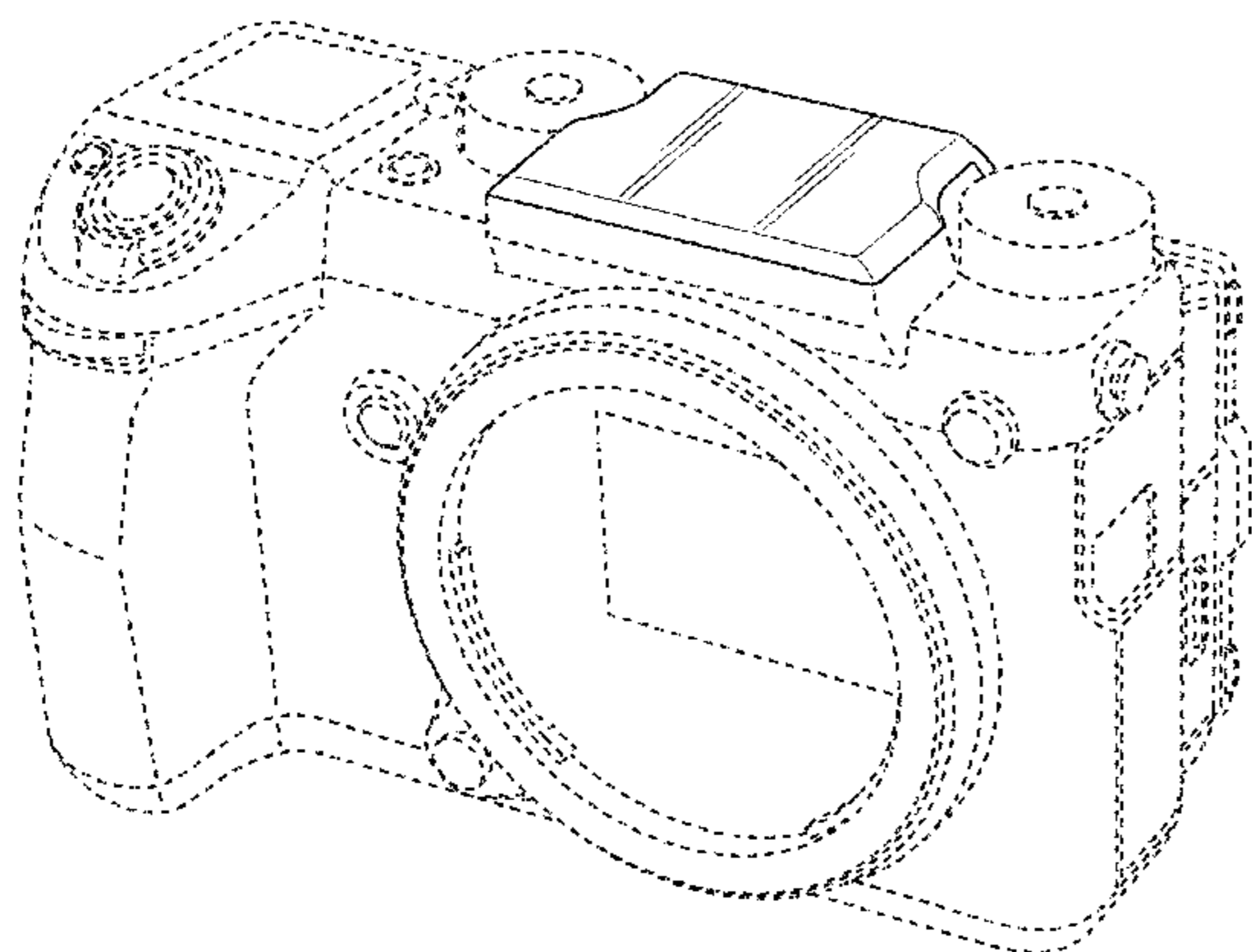
FIG. 6 is a bottom view thereof;

FIG. 7 is a right side view thereof; and,

FIG. 8 is a left side view thereof.

The broken lines shown in the drawings depict portions of the digital camera that form no part of the claimed design.

**1 Claim, 8 Drawing Sheets**



(56)

**References Cited**

U.S. PATENT DOCUMENTS

D745,912 S \* 12/2015 Lee ..... D16/218  
D747,757 S \* 1/2016 Daniel ..... D16/208  
D802,042 S \* 11/2017 Peabody ..... D16/202  
2009/0015708 A1\* 1/2009 Ye ..... H04N 5/2252  
348/373  
2012/0044417 A1\* 2/2012 Fujiwara ..... G03B 17/02  
348/375  
2015/0021228 A1\* 1/2015 Su ..... A61B 50/31  
206/570

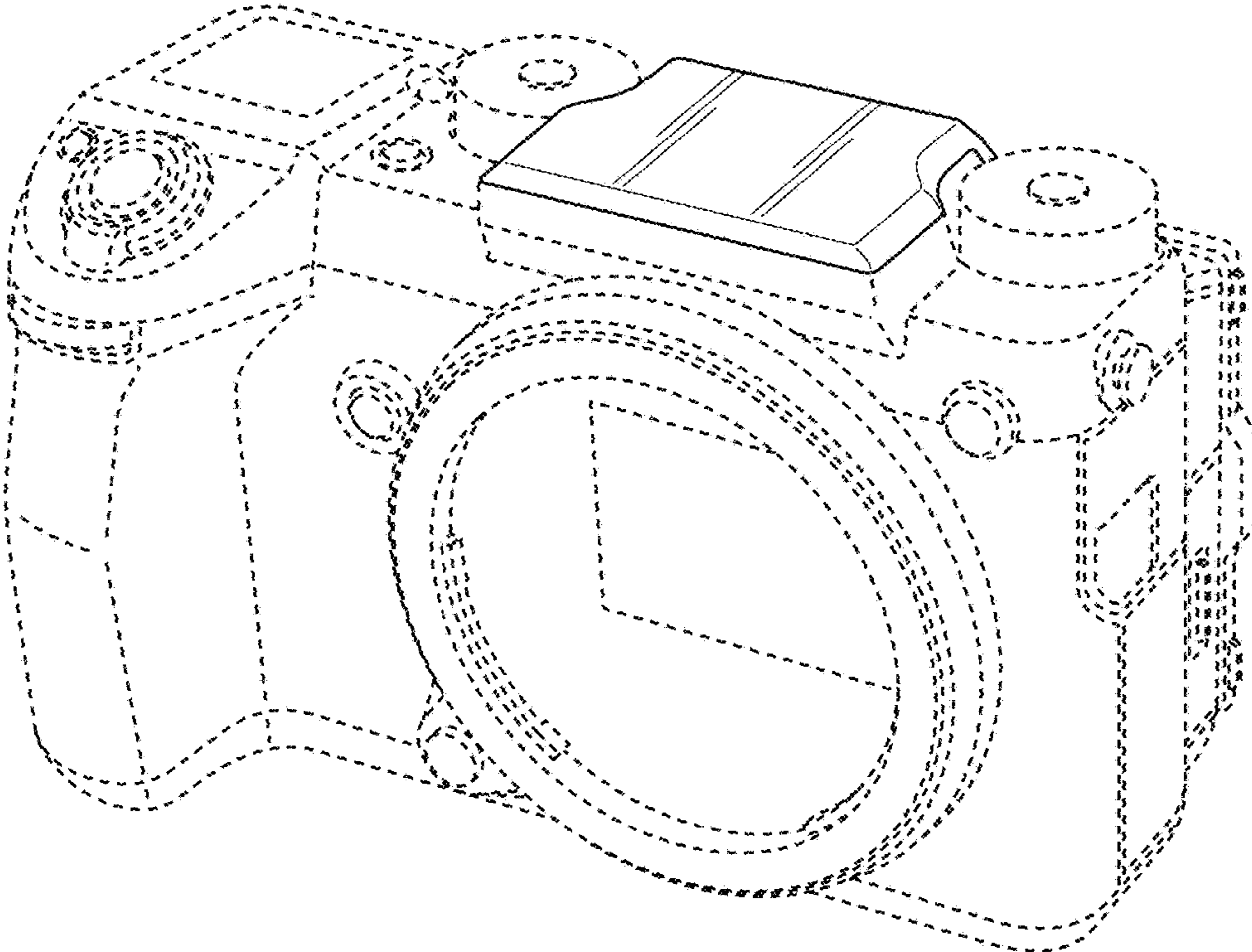
OTHER PUBLICATIONS

Olympus E-PL7 \_ E-PL8 Hot Shoe cover silver, publication date unavailable [online], [retrieved Feb. 27, 2018], Available from Internet, URL: <<https://www.castlecameras.co.uk/olympus-e-pl7-e-pl8-hot-shoe-cover-silver>>.\*

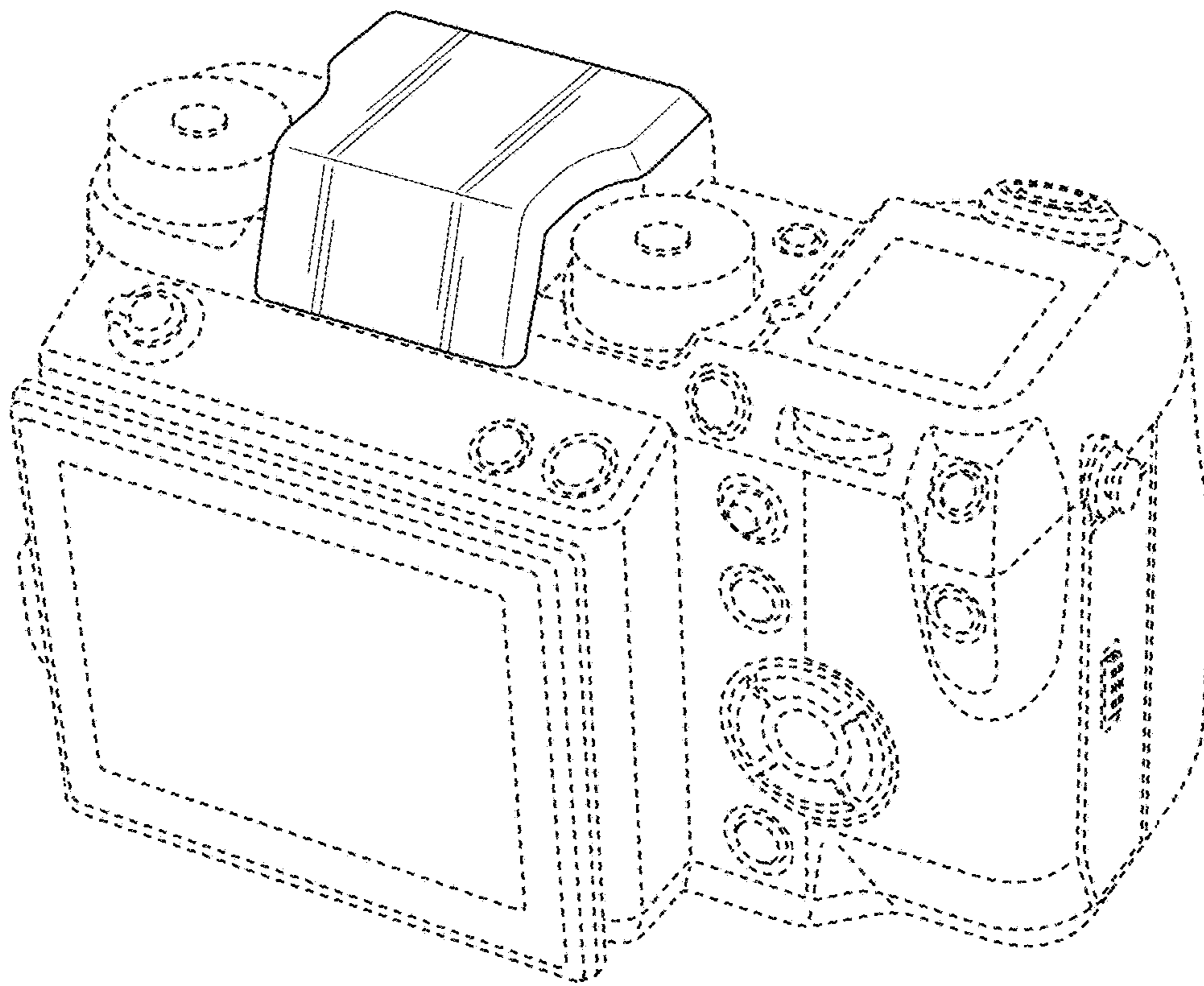
BS-N1000 Hot Shoe Protector Cover for the 1 V1 Camera (Black), publication date unavailable [online], [retrieved Feb. 27, 2018], Available from Internet, URL: <<https://www.samys.com/p/Flash-Adapters/3611/BS-N1000-Hot-Shoe-Protector-Cover-for-the-1-V1-Camera-Black/52304.html>>.\*

\* cited by examiner

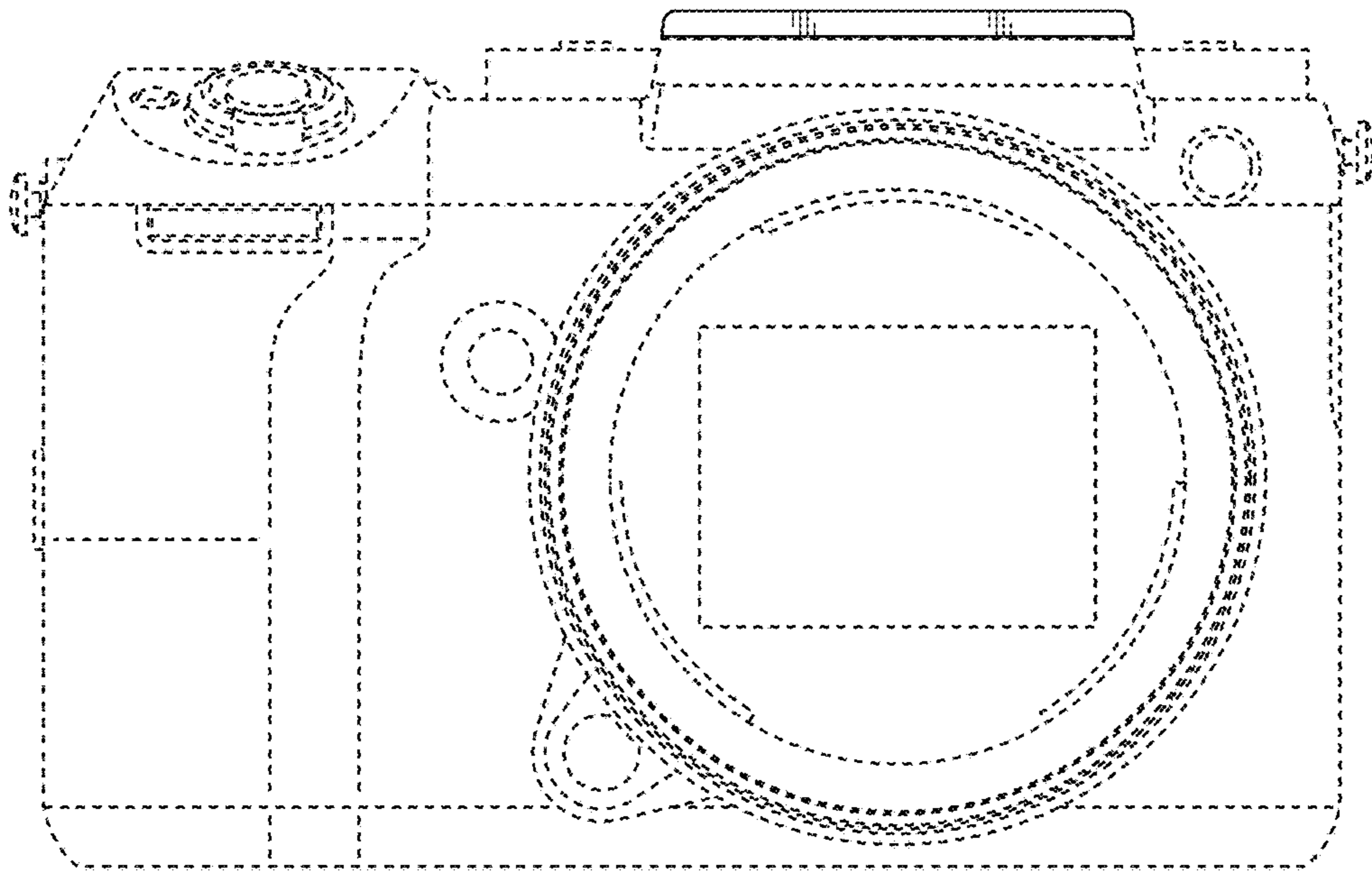
**FIG. 1**



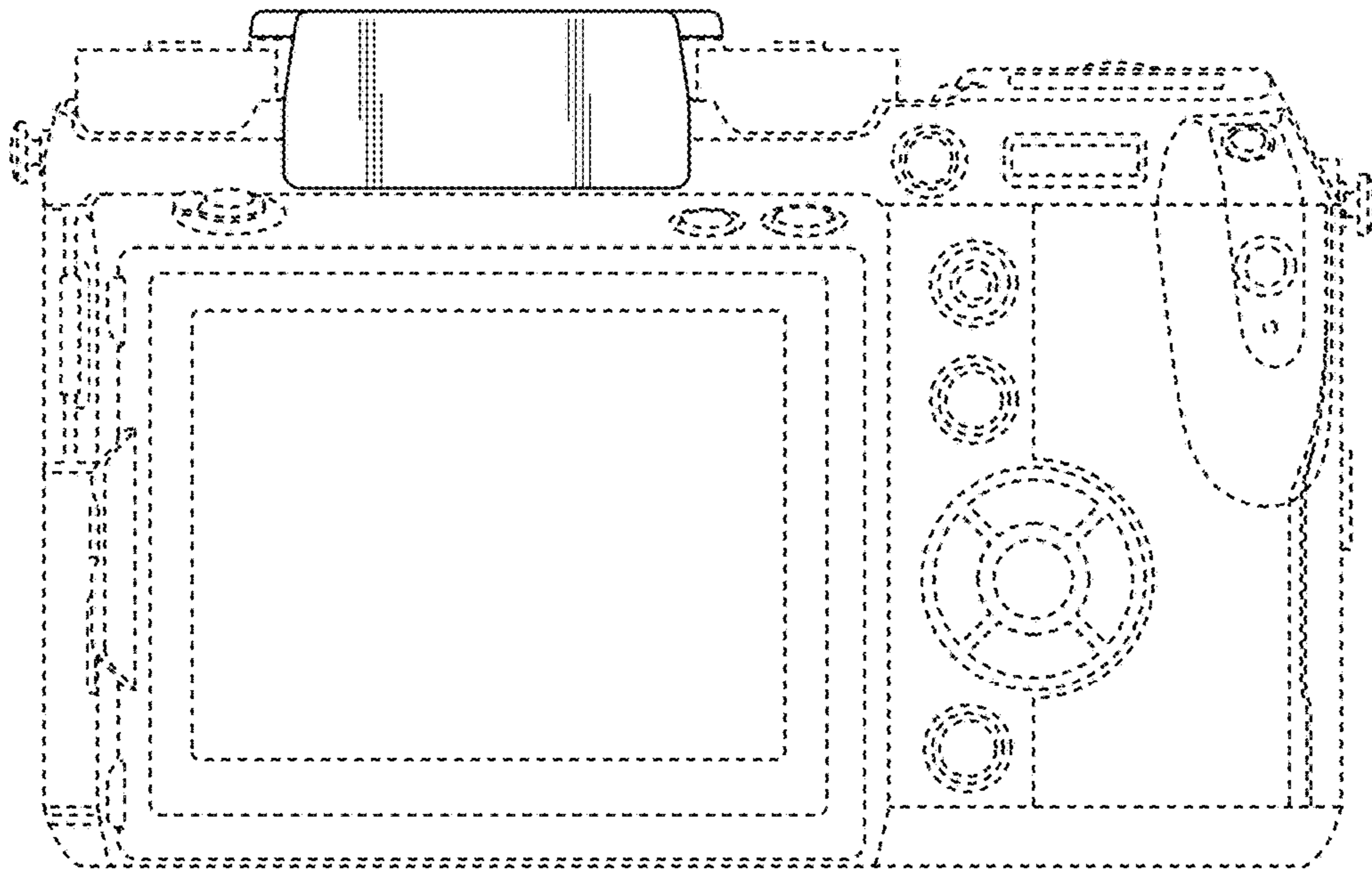
**FIG. 2**



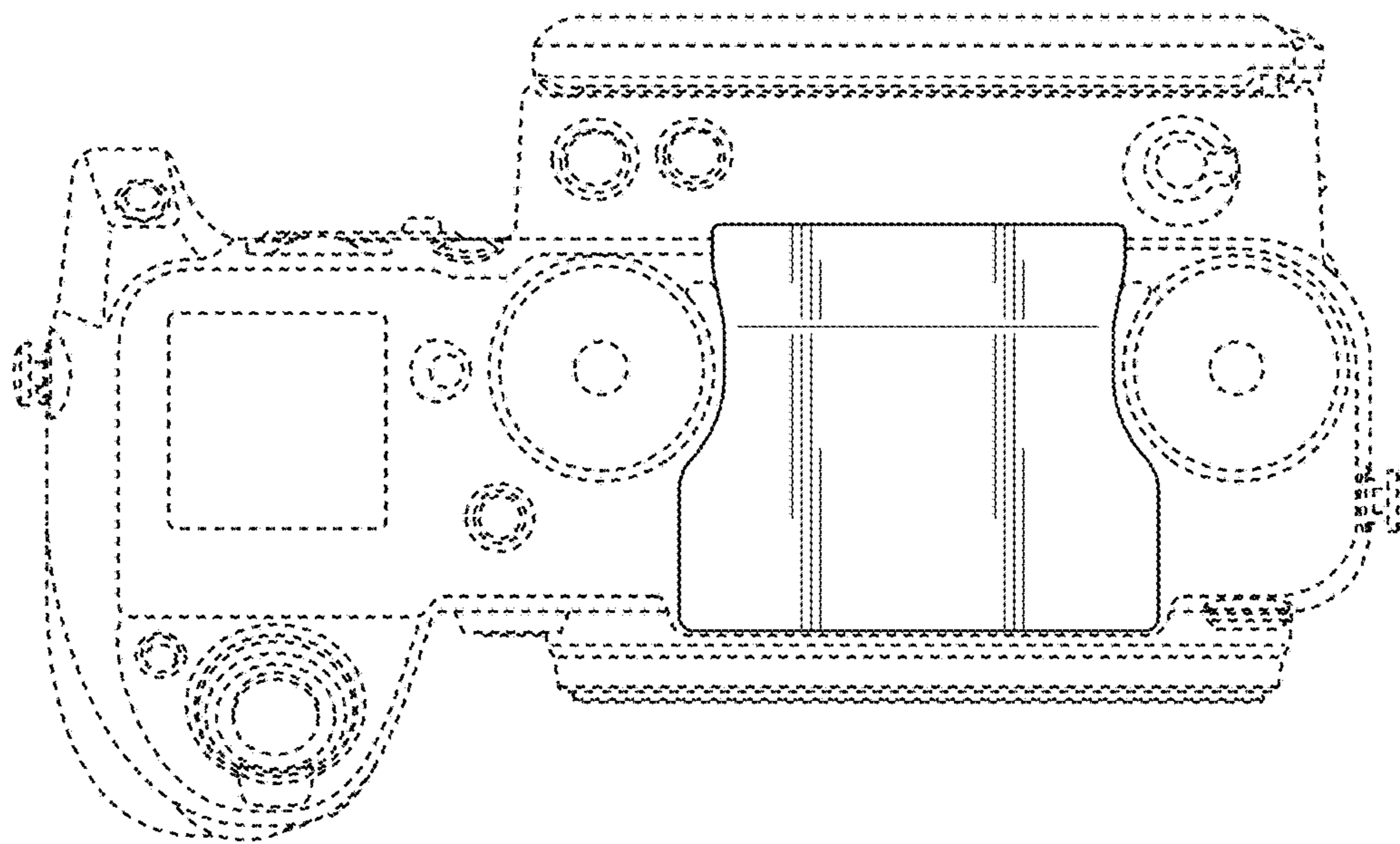
**FIG. 3**



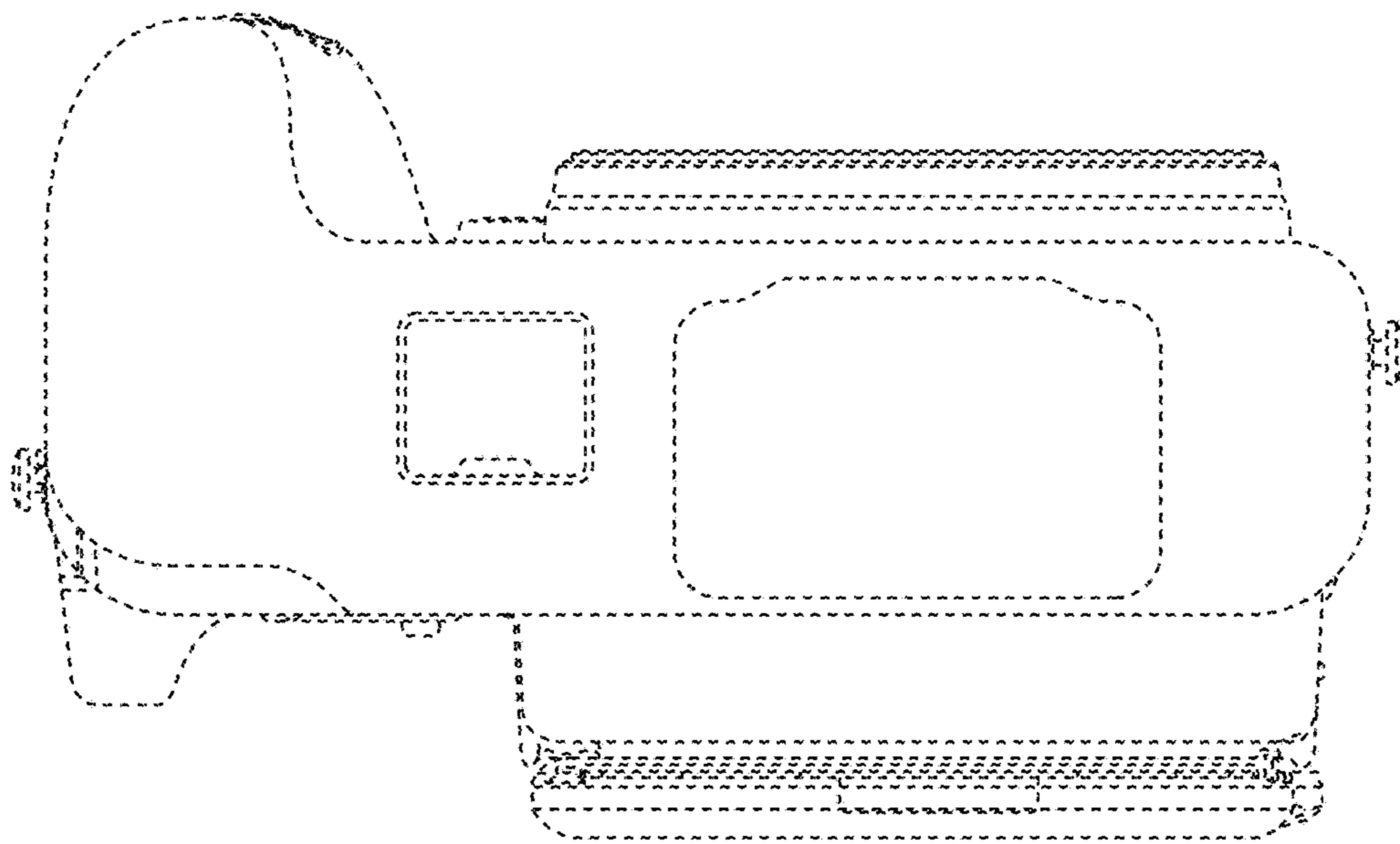
**FIG. 4**



**FIG. 5**

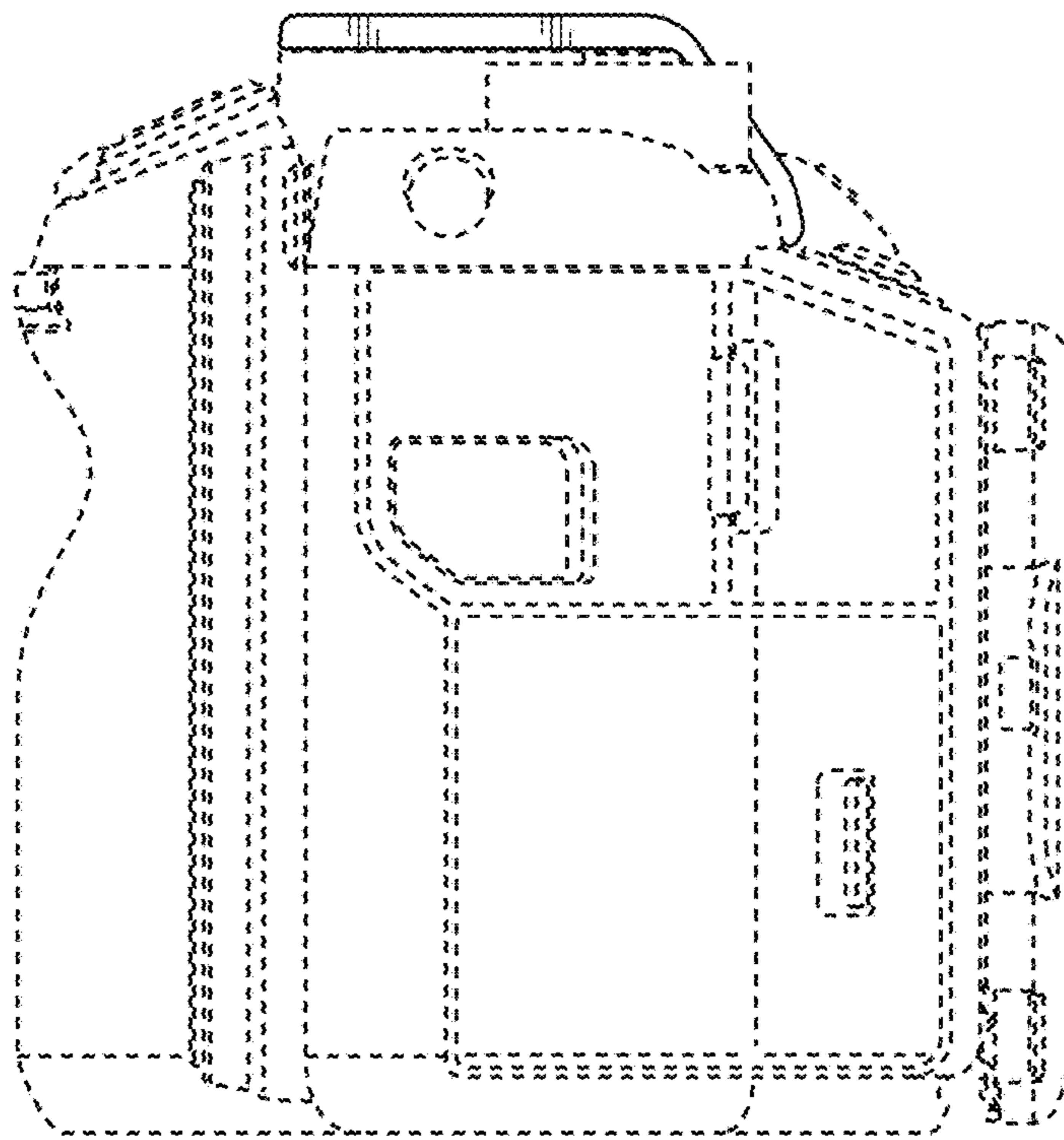


**FIG. 6**





**FIG. 7**



**FIG. 8**

