



US00D823922S

(12) **United States Design Patent**
Hikima et al.

(10) **Patent No.:** **US D823,922 S**
(45) **Date of Patent:** **** Jul. 24, 2018**

(54) **SURVEILLANCE CAMERA**
(71) Applicant: **Mitsubishi Electric Corporation,**
Tokyo (JP)
(72) Inventors: **Takanori Hikima,** Tokyo (JP);
Takeyuki Hori, Tokyo (JP)
(73) Assignee: **Mitsubishi Electric Corporation,**
Tokyo (JP)
(**) Term: **15 Years**

6,683,654 B1 * 1/2004 Haijima H04N 5/2252
348/335
D524,347 S * 7/2006 Takahashi D16/202
D529,063 S * 9/2006 Cheng D16/203
D563,450 S * 3/2008 Cheng D16/200
D571,030 S * 6/2008 Lee D26/37
D597,690 S * 8/2009 Yamamoto D26/37
D614,222 S * 4/2010 Yamakawa D16/203
D633,543 S * 3/2011 Park D16/203
D686,267 S * 7/2013 Mihara D16/202
D699,278 S * 2/2014 Isozaki D16/219
8,866,965 B2 * 10/2014 Uenaka G03B 17/02
250/239
D725,692 S * 3/2015 Celler D16/219
D730,282 S * 5/2015 Miller D13/103

(21) Appl. No.: **29/533,657**

(22) Filed: **Jul. 20, 2015**

(30) **Foreign Application Priority Data**

Jan. 20, 2015 (JP) 2015-000901
Jan. 20, 2015 (JP) 2015-000902

(51) **LOC (11) Cl.** **16-05**

(52) **U.S. Cl.**
USPC **D16/219; D16/203**

(58) **Field of Classification Search**

USPC D16/200, 202-206, 218, 219; 348/143,
348/148, 151, 373-376; 396/419, 427,
396/535, 539-541; D14/496, 125, 239;
D26/37, 46, 49
CPC G03B 17/02; G03B 19/04; G03B 17/56;
G03B 17/04; G03B 15/03; H04N 5/2251;
H04N 5/2252; H04N 5/2253; H04N
5/2254; H04N 7/181; H04N 7/183; H04N
7/18; G08B 13/1963; G08B 13/19619;
G08B 13/19632; F16M 11/04; F16M
13/00

See application file for complete search history.

(56) **References Cited**

U.S. PATENT DOCUMENTS

D366,271 S * 1/1996 Hasegawa D16/203
D446,801 S * 8/2001 Adachi D16/203

(Continued)

Primary Examiner — Philip S Hyder

Assistant Examiner — Ramzi Almatrahi

(74) *Attorney, Agent, or Firm* — Stuebaker & Brackett
PC

(57) **CLAIM**

The ornamental design for a surveillance camera, as shown
and described.

DESCRIPTION

FIG. 1 is a front, top and right side perspective view of a
surveillance camera, showing our new design;

FIG. 2 is a rear, bottom and left side perspective view
thereof;

FIG. 3 is a front view thereof;

FIG. 4 is a rear view thereof;

FIG. 5 is a top view thereof;

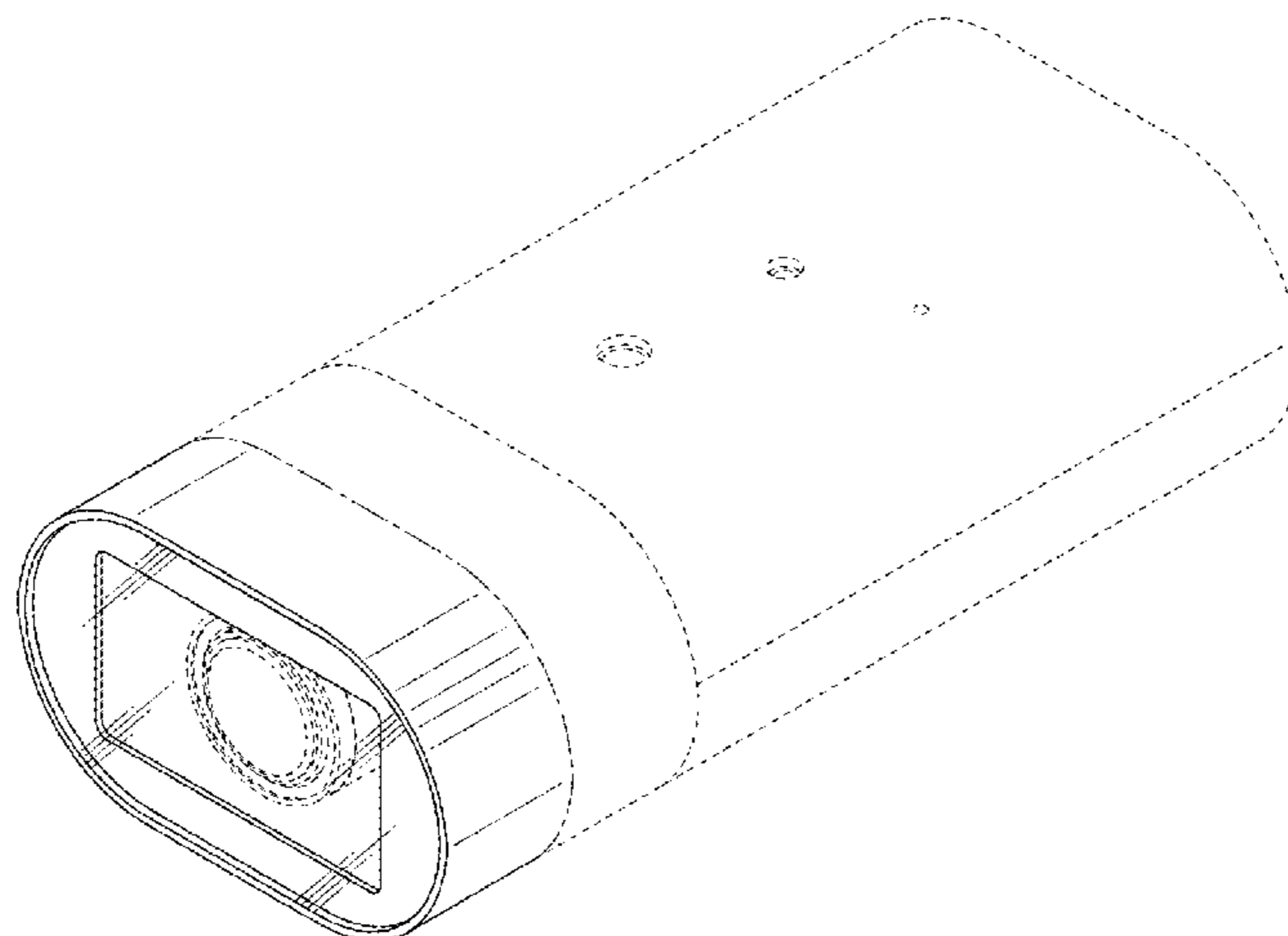
FIG. 6 is a bottom view thereof;

FIG. 7 is a left side view thereof; and,

FIG. 8 is a right side view thereof.

The broken lines depict portions of the surveillance camera
in which the design is embodied that form no part of the
claimed design. Additionally, the dash-dot lines denote the
boundary of the claim and form no part of the claimed
design.

1 Claim, 8 Drawing Sheets



(56)

References Cited

U.S. PATENT DOCUMENTS

D732,100 S * 6/2015 Jeong D16/203
D763,209 S * 8/2016 Park D14/125
D797,335 S * 9/2017 Brown D26/37

* cited by examiner

Fig. 1

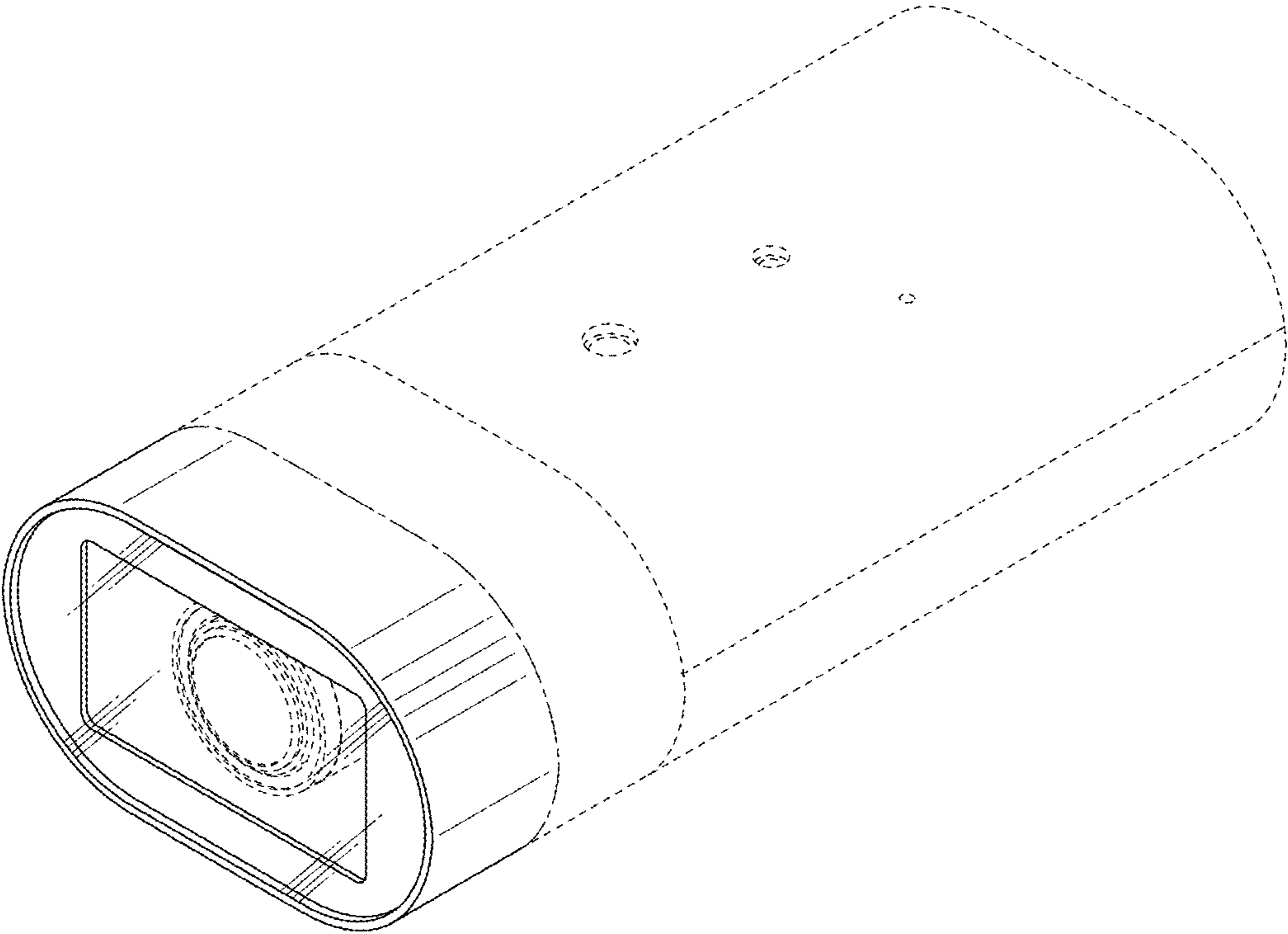


Fig. 2

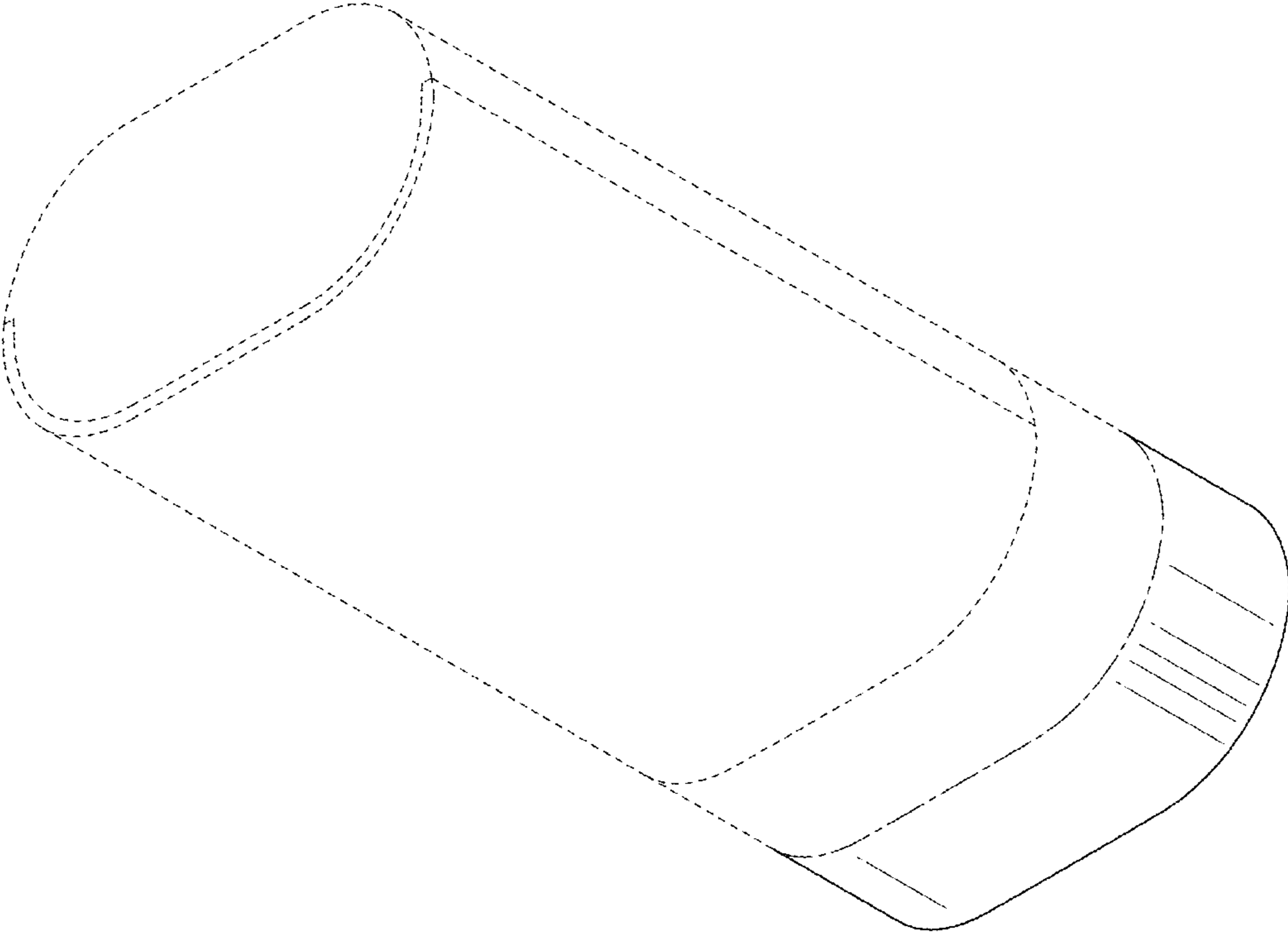


Fig. 3

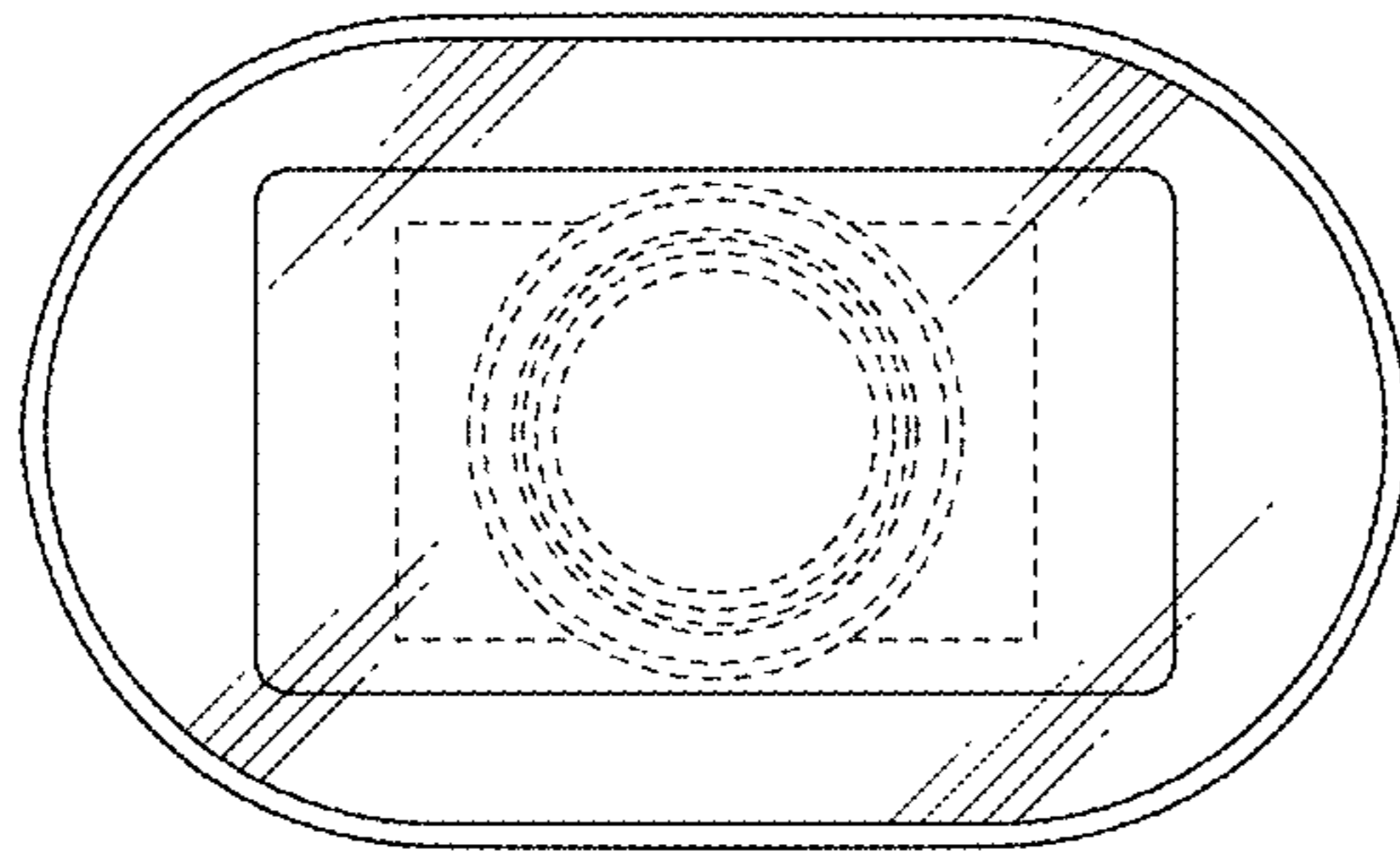


Fig. 4

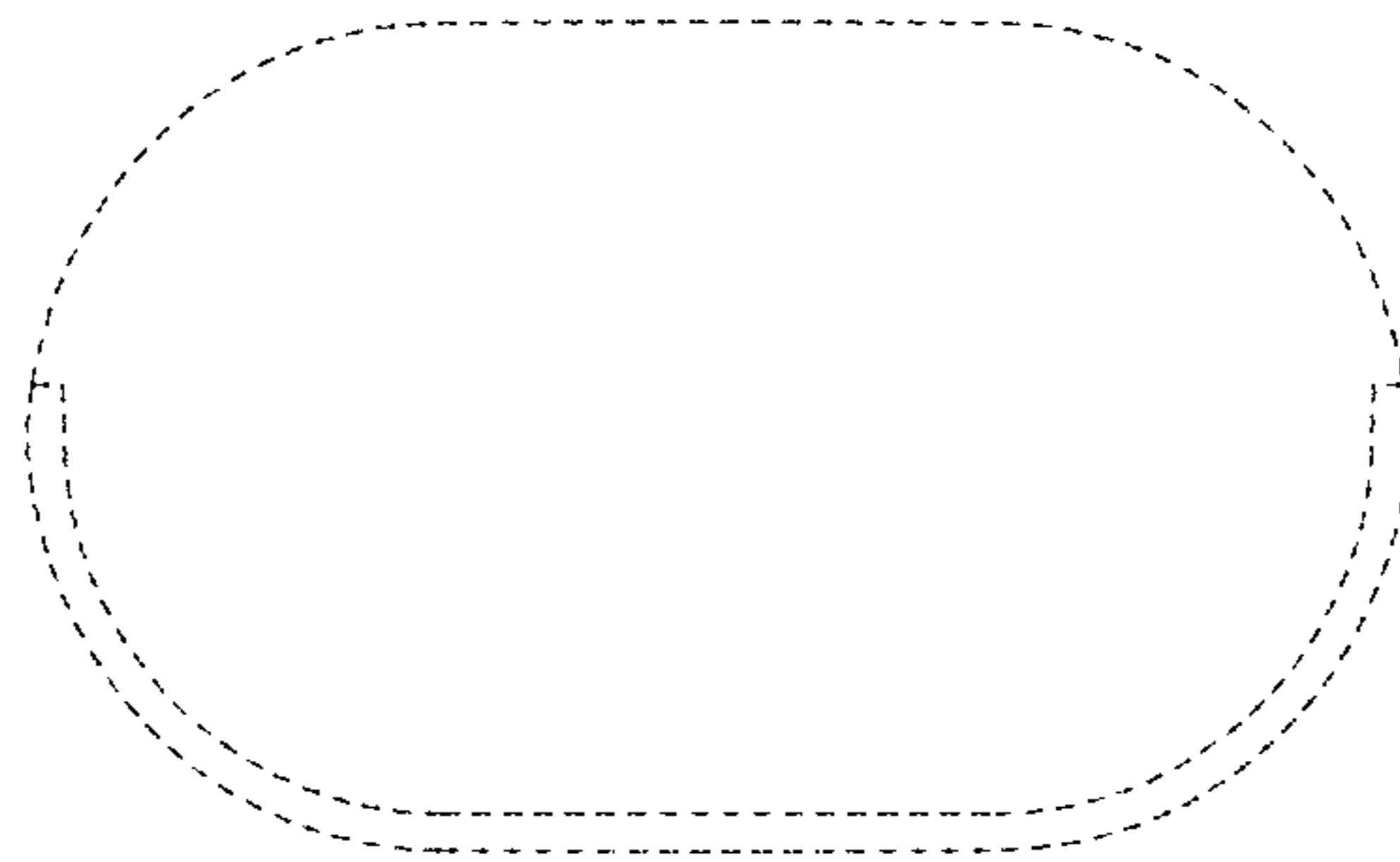


Fig. 5

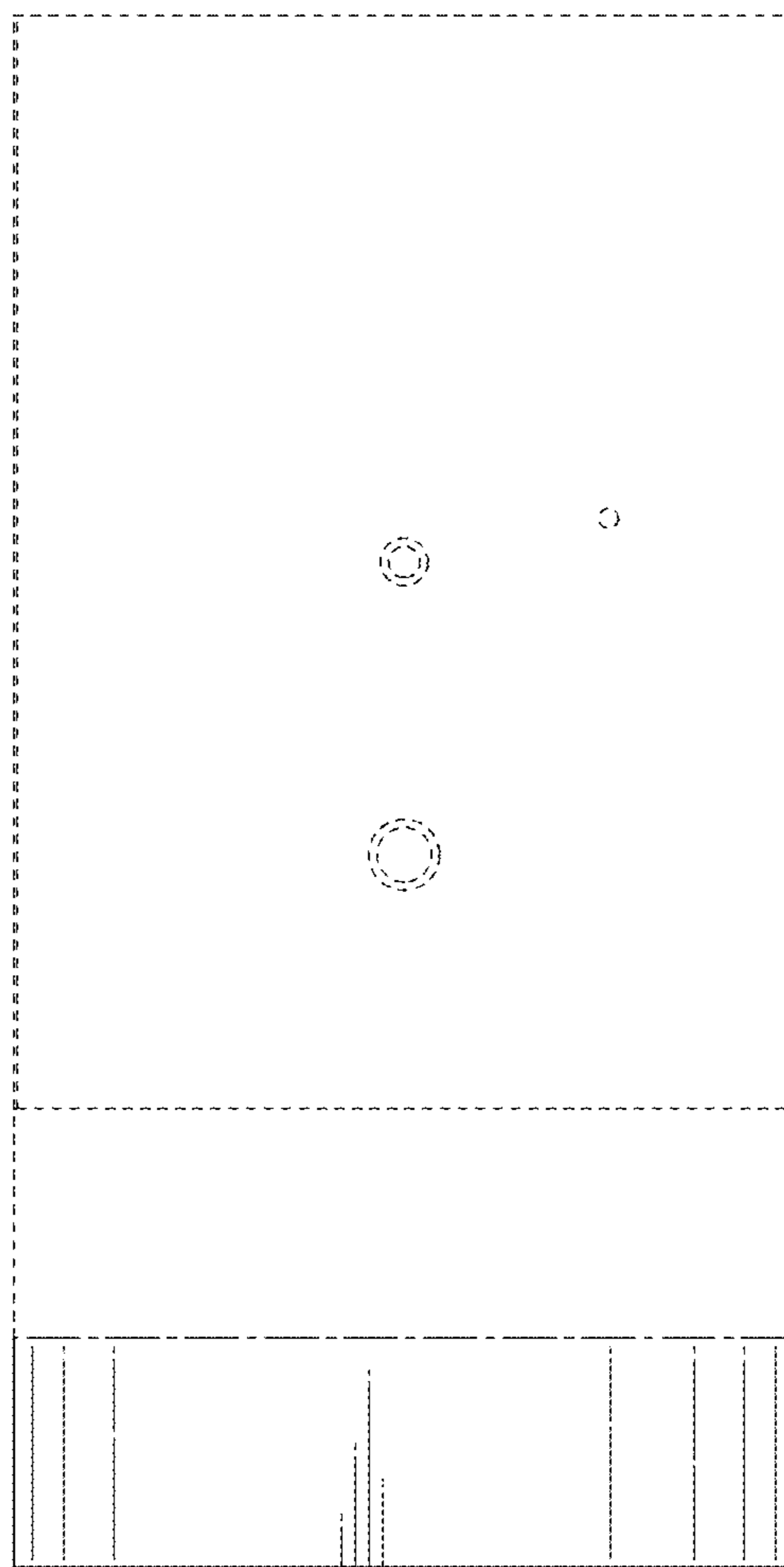


Fig. 6

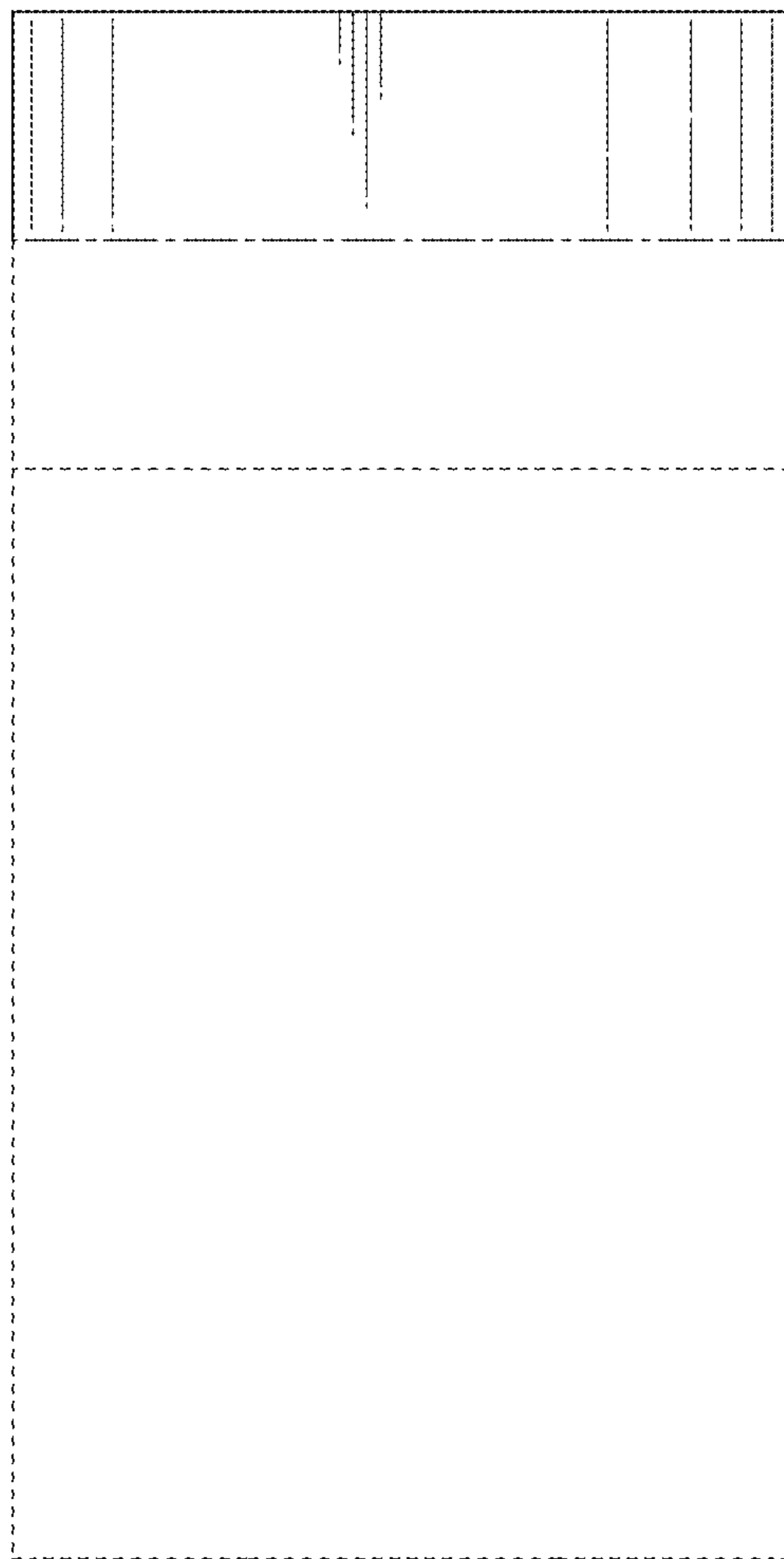


Fig. 7



Fig. 8

