



US00D823921S

(12) **United States Design Patent**  
**Imai**

(10) **Patent No.:** **US D823,921 S**  
(45) **Date of Patent:** **\*\* Jul. 24, 2018**

(54) **DIGITAL CAMERA**

(71) Applicant: **FUJIFILM Corporation**, Tokyo (JP)

(72) Inventor: **Masazumi Imai**, Saitama (JP)

(73) Assignee: **FUJIFILM Corporation**, Tokyo (JP)

(\*\*) Term: **15 Years**

(21) Appl. No.: **29/595,185**

(22) Filed: **Feb. 27, 2017**

(30) **Foreign Application Priority Data**

Aug. 31, 2016 (JP) ..... 2016-018660

(51) **LOC (11) Cl.** ..... **16-01**

(52) **U.S. Cl.**  
USPC ..... **D16/218**; D16/219

(58) **Field of Classification Search**  
USPC ..... D16/200–220, 131, 250, 163; D8/16,  
D8/373

CPC ... G02B 7/02; G02B 7/04; G02B 7/14; G02B  
3/14; G03B 17/00; G03B 17/02; G03B  
17/56; G03B 17/04; G03B 17/14; G03B  
15/03; G03B 9/08; H04N 5/2251; H04N  
5/2252; H04N 5/2253; H04N 5/2254;  
H04N 7/00; H04N 2101/00; F16M 13/00

See application file for complete search history.

(56) **References Cited**

U.S. PATENT DOCUMENTS

D283,713 S \* 5/1986 Maitani ..... D16/217  
D284,287 S \* 6/1986 Kato ..... D16/217  
D284,384 S \* 6/1986 Kato ..... D16/217  
D294,590 S \* 3/1988 Goto ..... D16/217  
D306,742 S \* 3/1990 Goto ..... D16/217  
D311,015 S \* 10/1990 Alie ..... D16/202  
D317,929 S \* 7/1991 Tanaka ..... D16/217  
D318,678 S \* 7/1991 Tanaka ..... D16/217  
D418,531 S \* 1/2000 Hayashi ..... D16/220  
D487,105 S \* 2/2004 Takahashi ..... D16/202

D491,593 S \* 6/2004 Haga ..... D16/202  
D617,273 S \* 6/2010 Sakai ..... D13/133  
D629,826 S \* 12/2010 Funakoshi ..... D16/220  
D671,588 S \* 11/2012 Couch, III ..... D16/219  
D732,099 S \* 6/2015 Nagaoka ..... D16/202

(Continued)

FOREIGN PATENT DOCUMENTS

JP 1521556 S 4/2015

OTHER PUBLICATIONS

Workshop for new Fujifilm GFX 50S Medium Format Mirrorless Camera, published Oct. 6, 2017 [online], [retrieved Feb. 27, 2018], Available from Internet, URL: <<https://micaphoto.com/2017/10/06/workshop-for-new-fujifilm-gfx-50s-medium-format-mirrorless-camera/>>.\*

(Continued)

*Primary Examiner* — Barbara Fox

*Assistant Examiner* — Mary C Ramirez

(74) *Attorney, Agent, or Firm* — Sughrue Mion, PLLC

(57) **CLAIM**

The ornamental design for a digital camera, as shown and described.

**DESCRIPTION**

FIG. 1 is a front, right perspective view of a digital camera showing the new design;

FIG. 2 is a rear, left perspective view thereof.

FIG. 3 is a front view thereof;

FIG. 4 is a rear view thereof;

FIG. 5 is a plan view thereof;

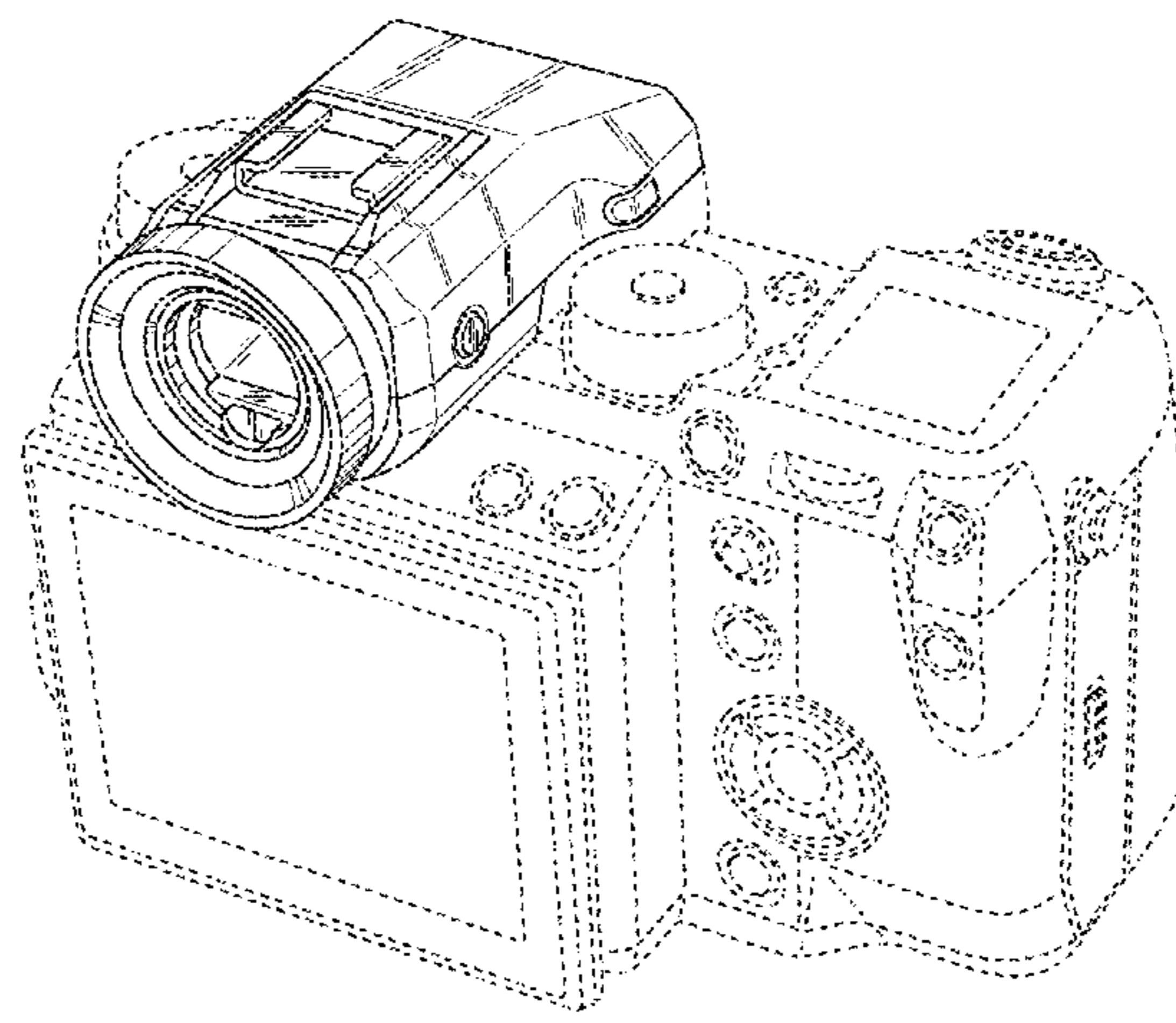
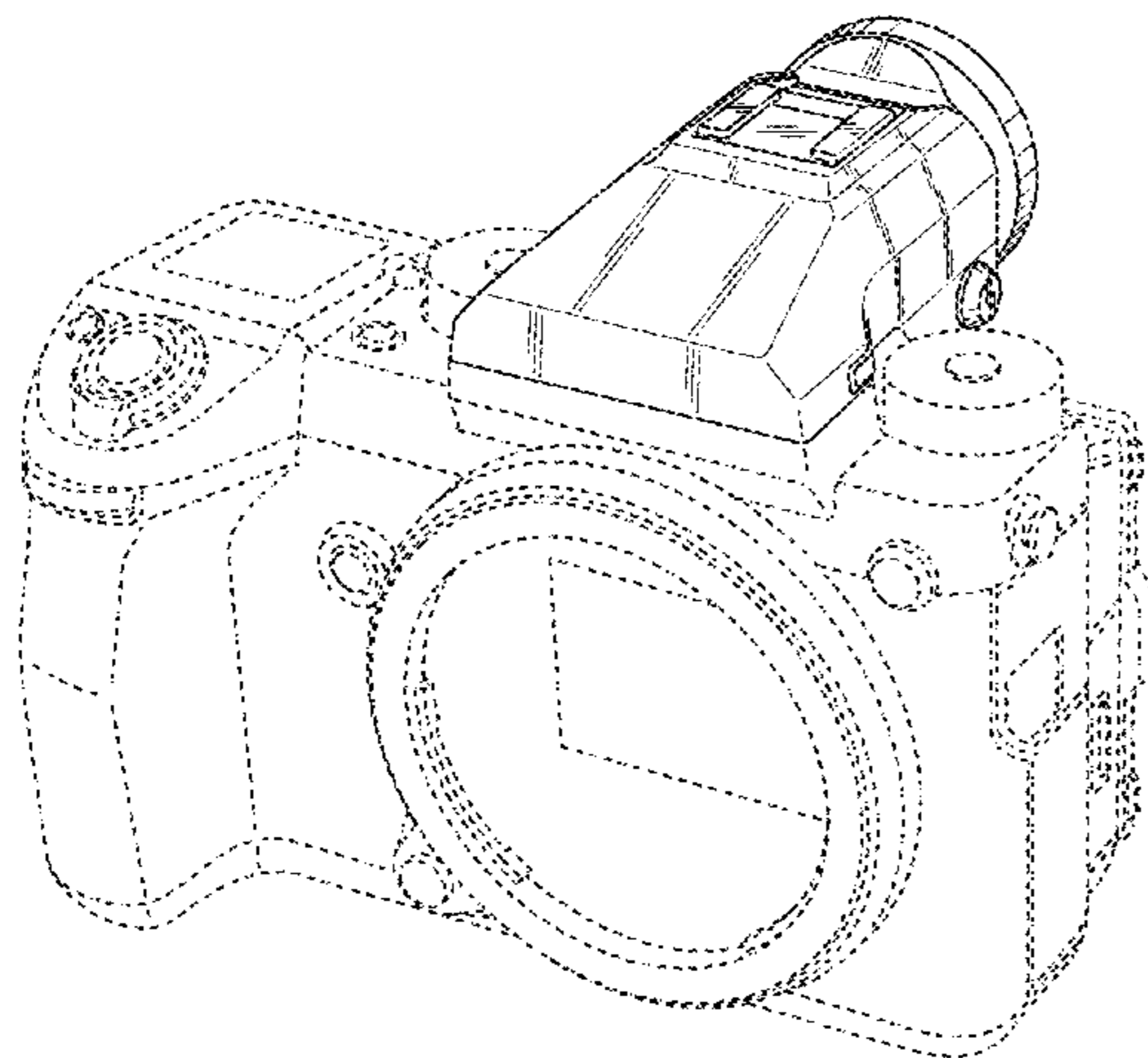
FIG. 6 is a bottom view thereof;

FIG. 7 is a right side view thereof; and,

FIG. 8 is a left side view thereof.

The broken lines shown in the drawings depict portions of the digital camera that form no part of the claimed design.

**1 Claim, 8 Drawing Sheets**



(56)

**References Cited**

U.S. PATENT DOCUMENTS

D746,351 S \* 12/2015 Sogabe ..... D16/202  
D777,233 S \* 1/2017 Sakai ..... D16/202  
D809,046 S \* 1/2018 Hatcher ..... D16/202  
2017/0318204 A1 \* 11/2017 Taniguchi ..... G02B 7/16

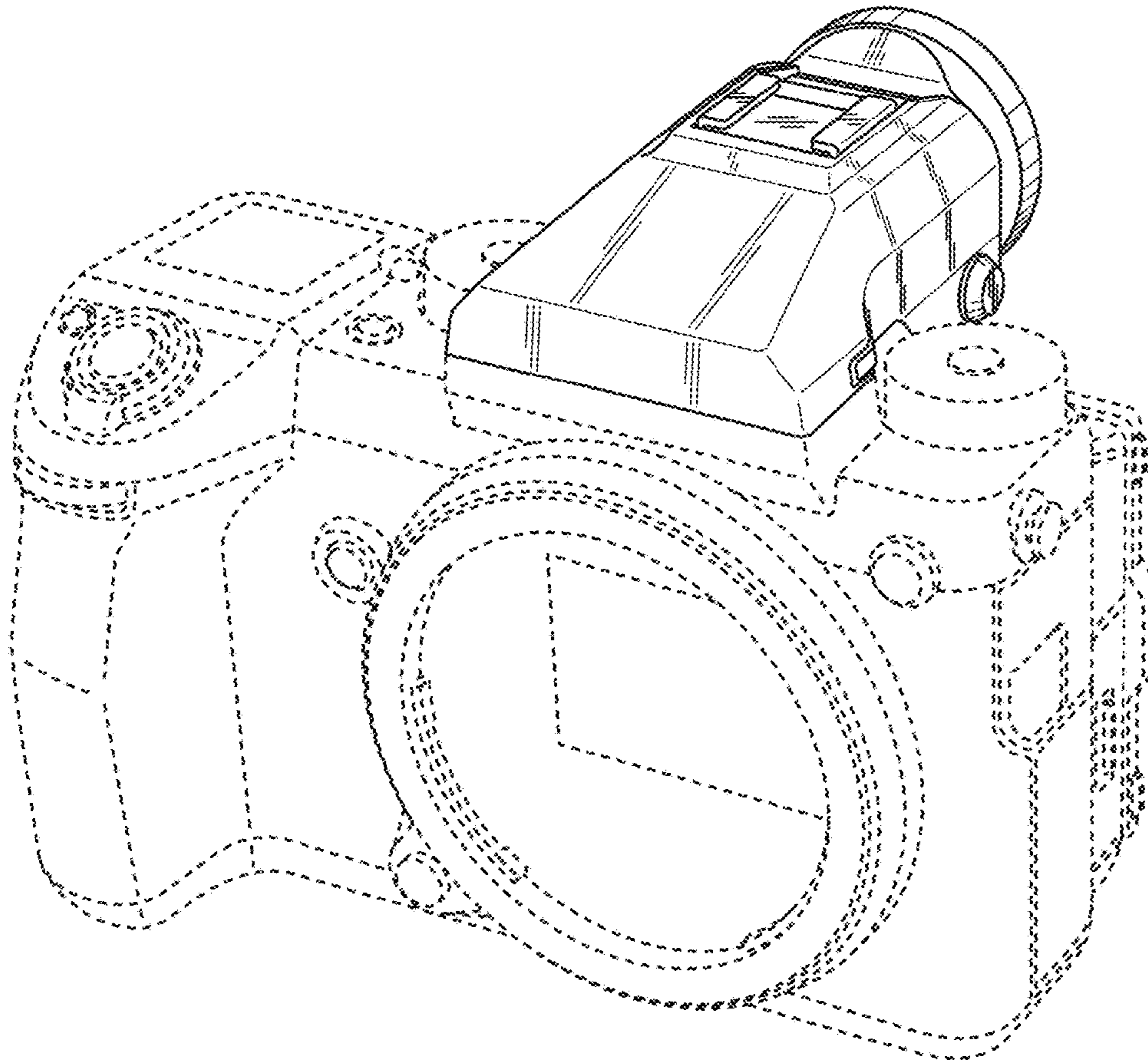
OTHER PUBLICATIONS

Hasselblad X1D 50c vs Fujifilm GFX 50s, published Sep. 21, 2016  
[online], [retrieved Feb. 27, 2018], Available from Internet, URL:  
<<https://www.digitalrev.com/article/hasselblad-x1d-50c-vs-fujifilm-gfx-50s>>.\*

Fujifilm GFX 50S Promotional Video, published Jan. 18, 2017  
[online], [retrieved Feb. 27, 2018], Available from Internet, URL:  
<<https://www.youtube.com/watch?v=XfDTVA85iwQ&feature=youtu.be>> at approximately 1:15.\*

\* cited by examiner

**FIG. 1**



**FIG. 2**

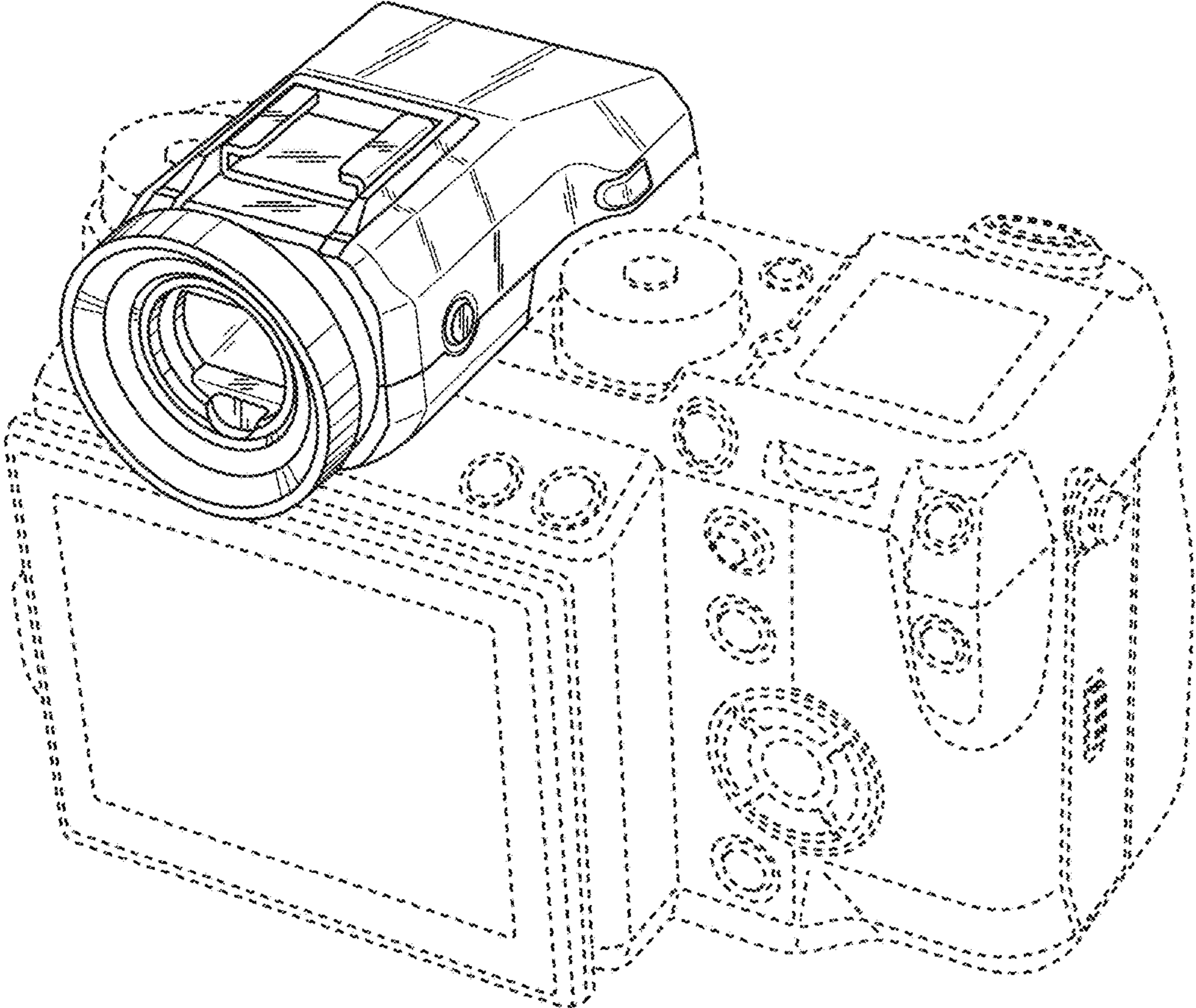


FIG. 3

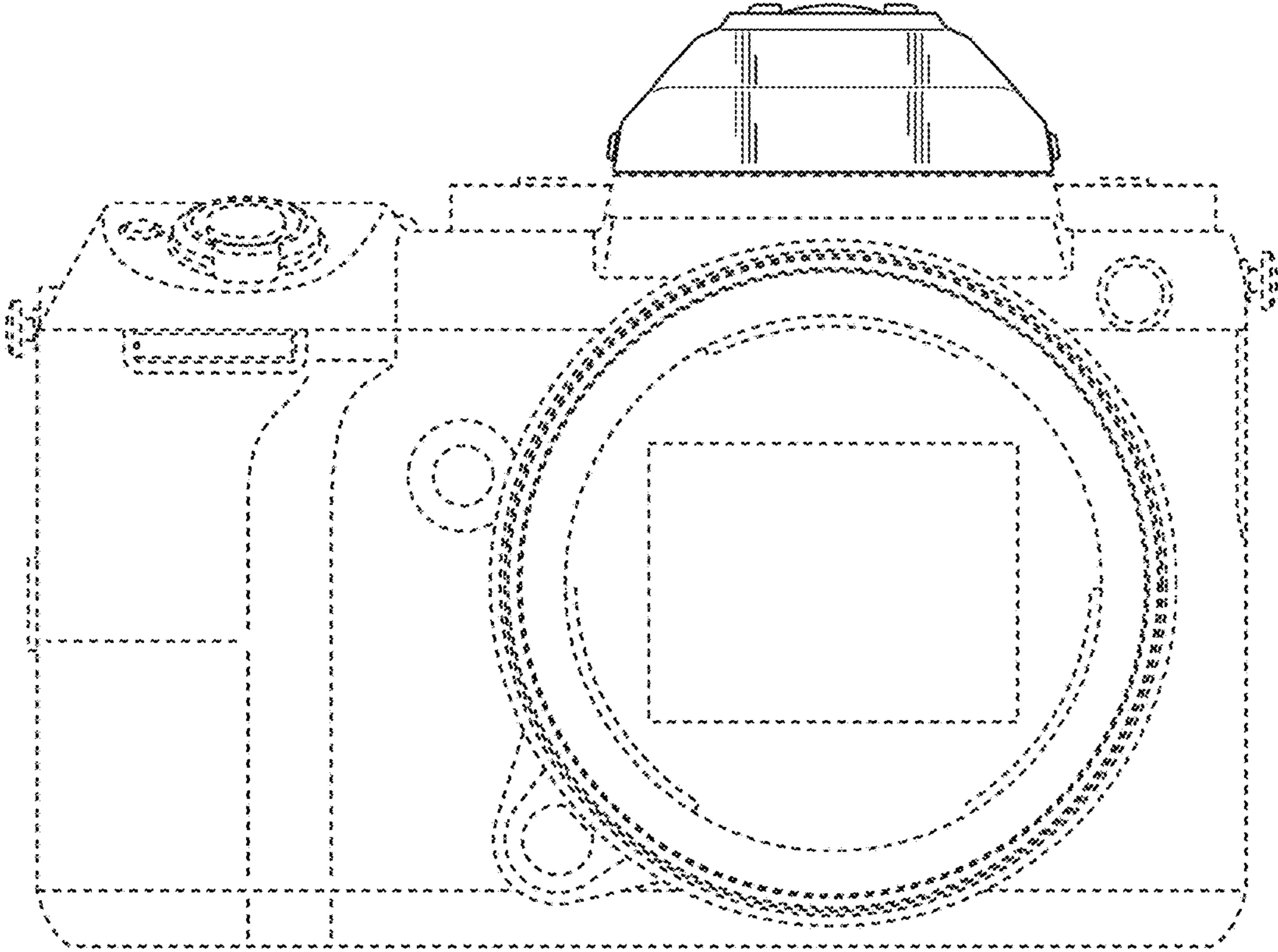
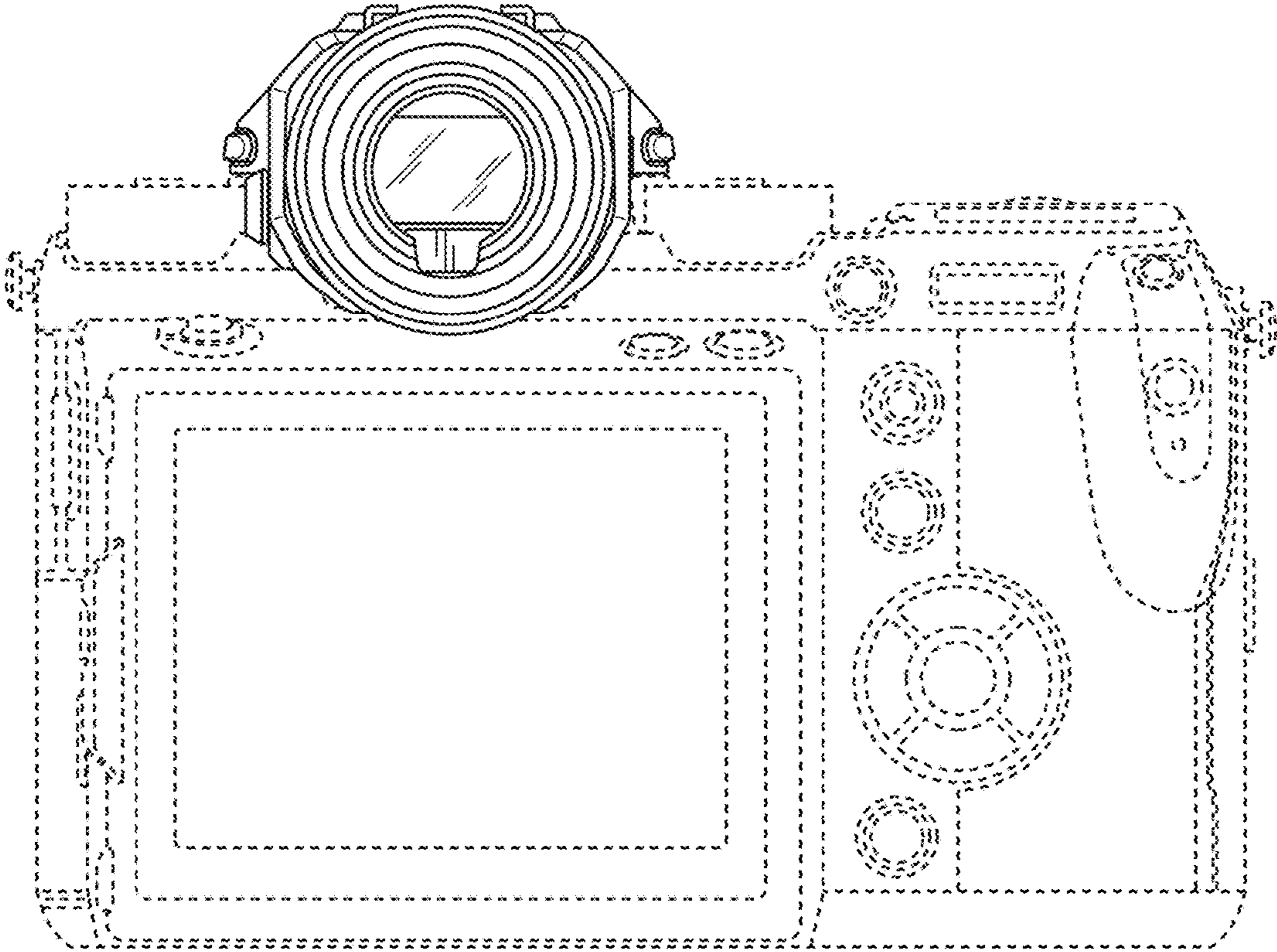
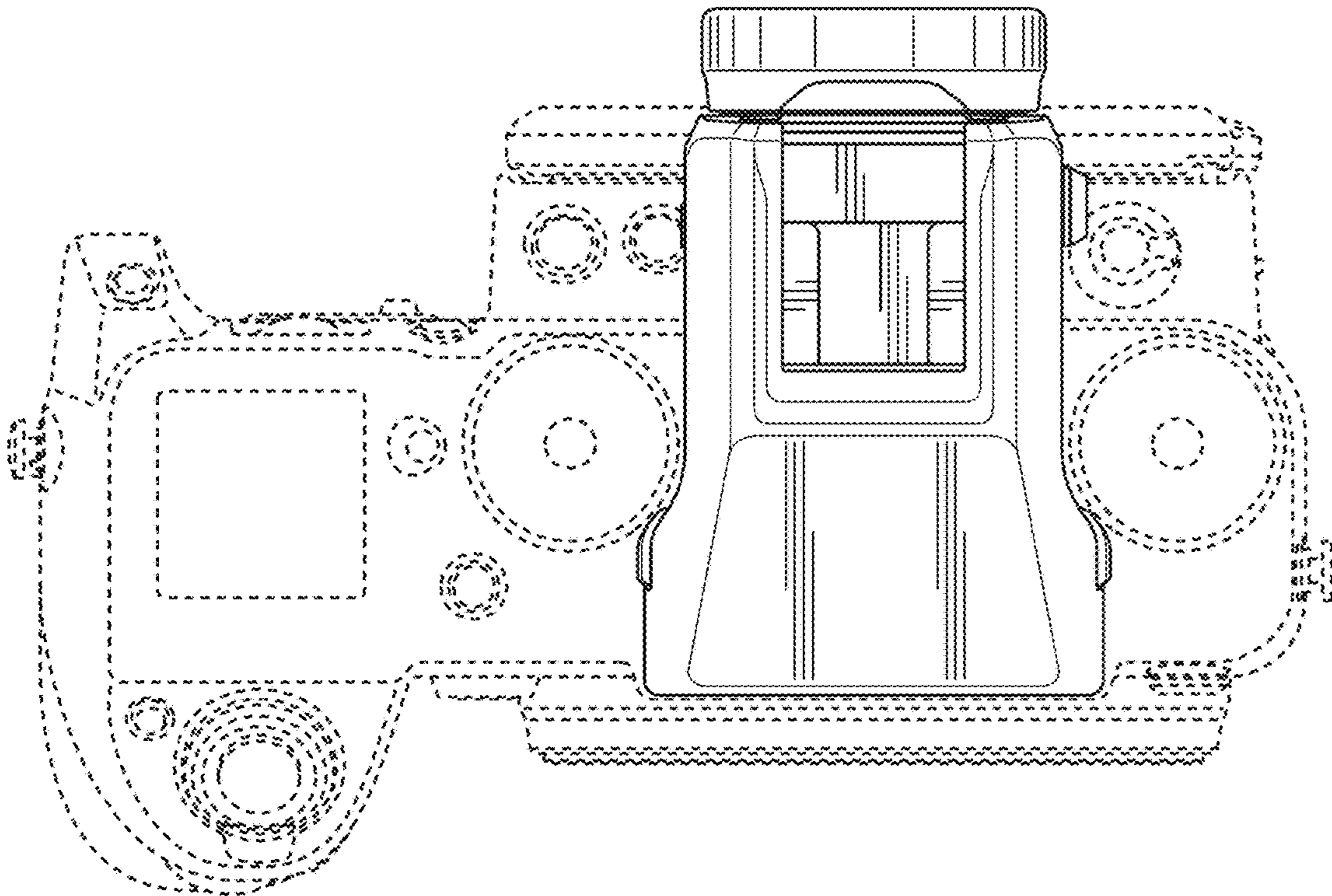


FIG. 4



**FIG. 5**



**FIG. 6**

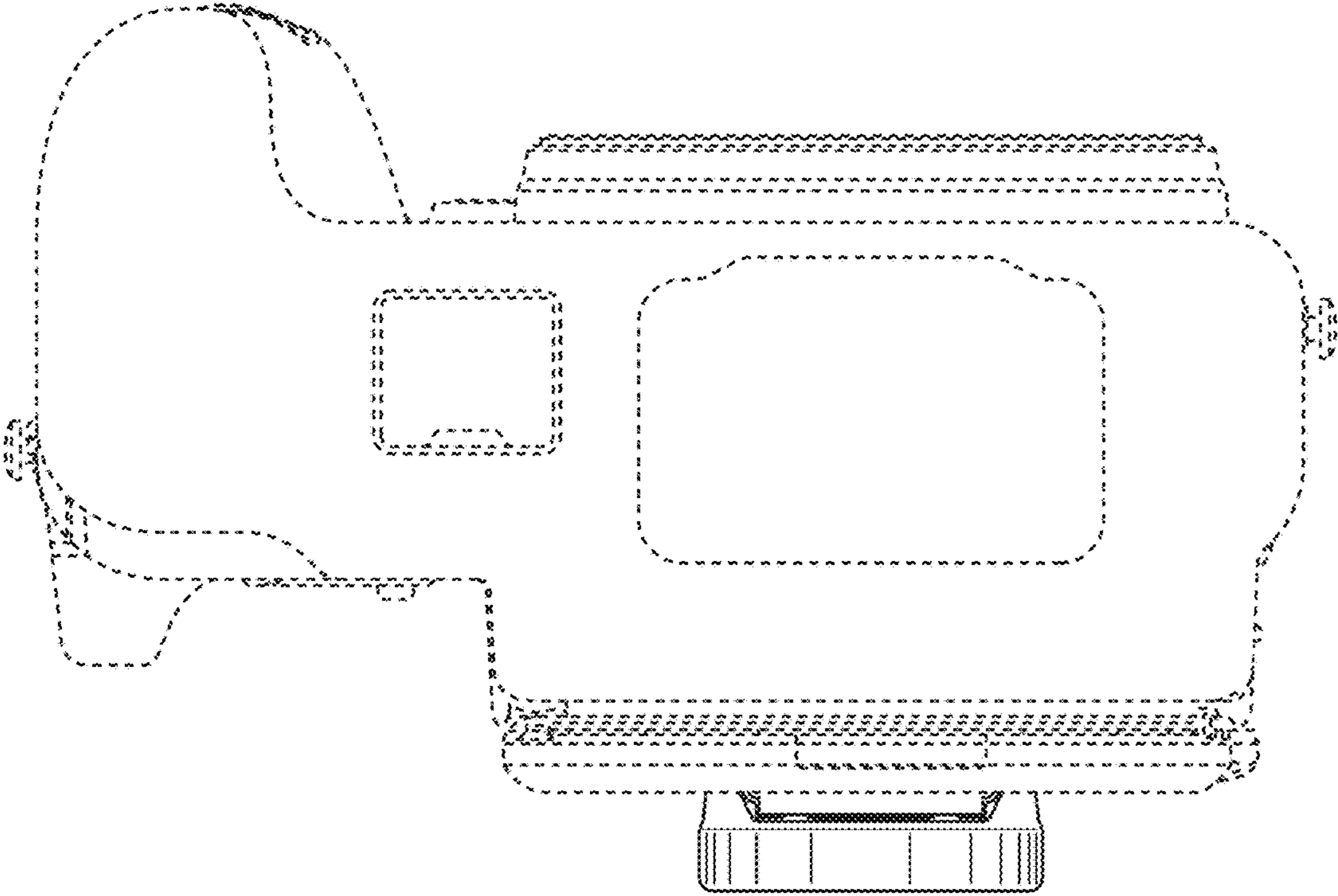




FIG. 7

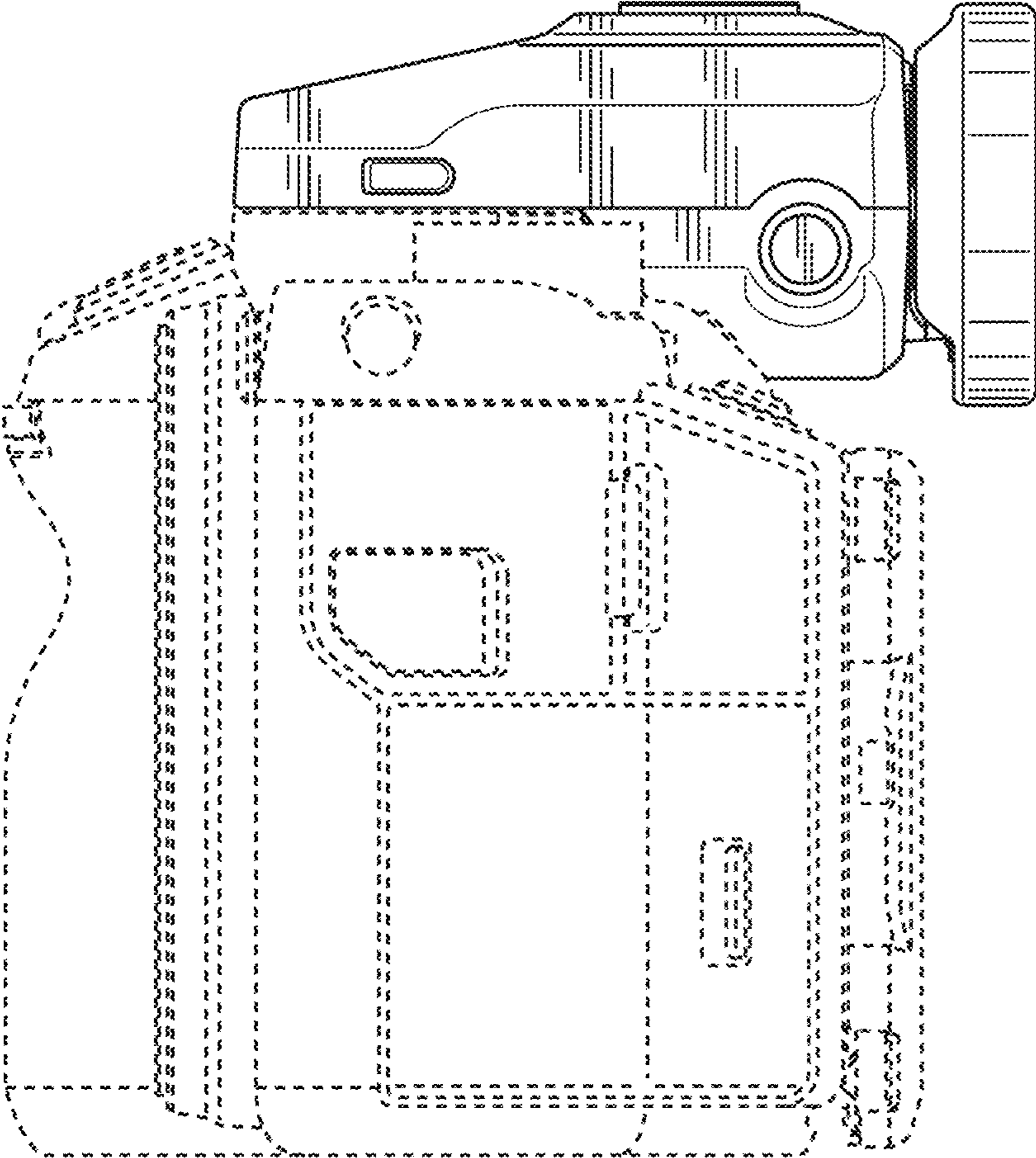


FIG. 8

