



US00D823920S

(12) **United States Design Patent**
Wiegmann

(10) **Patent No.:** **US D823,920 S**
(45) **Date of Patent:** **** Jul. 24, 2018**

(54) **SIMULTANEOUS LOCALIZATION AND MAPPING (SLAM) DEVICE**

(71) Applicant: **Kaarta, Inc.**, Pittsburgh, PA (US)

(72) Inventor: **Elijah Wiegmann**, Natrona Heights, PA (US)

(73) Assignee: **Kaarta, Inc.**, Pittsburgh, PA (US)

(**) Term: **15 Years**

(21) Appl. No.: **29/585,400**

(22) Filed: **Nov. 23, 2016**

(51) **LOC (11) Cl.** **16-01**

(52) **U.S. Cl.**
USPC **D16/208**; D16/202; D10/70; D10/46

(58) **Field of Classification Search**
USPC D10/46, 70; D16/202, 208
CPC .. G06T 7/521; G06T 7/55; G06T 7/74; G06T
2207/10016; G06T 2207/10028; G06T
2207/30204; G06T 2207/30248; G06T
2207/30181

See application file for complete search history.

(56) **References Cited**

U.S. PATENT DOCUMENTS

D432,930 S *	10/2000	Sanoner	D10/70
9,043,069 B1	5/2015	Burnette et al.		
2007/0262988 A1	11/2007	Christensen et al.		
2008/0033645 A1	2/2008	Levinson et al.		
2009/0043439 A1	2/2009	Barfoot et al.		
2009/0262974 A1	10/2009	Lithopoulos et al.		
2011/0134225 A1	6/2011	Saint-Pierre et al.		
2011/0178708 A1	7/2011	Zhang et al.		
2013/0325244 A1	12/2013	Wang et al.		
2016/0189348 A1	6/2016	Canter		
2016/0234476 A1	8/2016	Millett		
2016/0274589 A1	9/2016	Templeton et al.		

FOREIGN PATENT DOCUMENTS

EP 2133662 B1 2/2012
WO 2017155970 A1 9/2017

OTHER PUBLICATIONS

Besl, et al., "A Method for Registration of 3-D Shapes", IEEE Transactions on Pattern Analysis and Machine Intelligence, vol. 14, No. 2, Feb. 1992, pp. 239-256.

Zheng, et al., "Non-local Scan Consolidation for 3D Urban Scenes", ACM SIGGRAPH 2010. Retrieved on Jan. 20, 2018., 2010, 9 Pages.

PCT/US2017/021120, "Application Serial No. PCT/US2017/021120, International Search Report and the Written opinion dated May 31, 2017", 8 pages.

PCT/US2017/055938, "Application Serial No. PCT/US2017/055938, Invitation to Pay Additional Fees dated Nov. 14, 2017", 2 Pages.

(Continued)

Primary Examiner — Antoine Duval Davis

(74) *Attorney, Agent, or Firm* — GTC Law Group PC & Affiliates

(57) **CLAIM**

The ornamental design for a simultaneous localization and mapping (SLAM) device, as shown.

DESCRIPTION

FIG. 1 is a rear perspective view of a first embodiment of our new design;

FIG. 2 is a front perspective view thereof;

FIG. 3 is a front elevation view thereof;

FIG. 4 is a rear elevation view thereof;

FIG. 5 is a right side elevation view thereof;

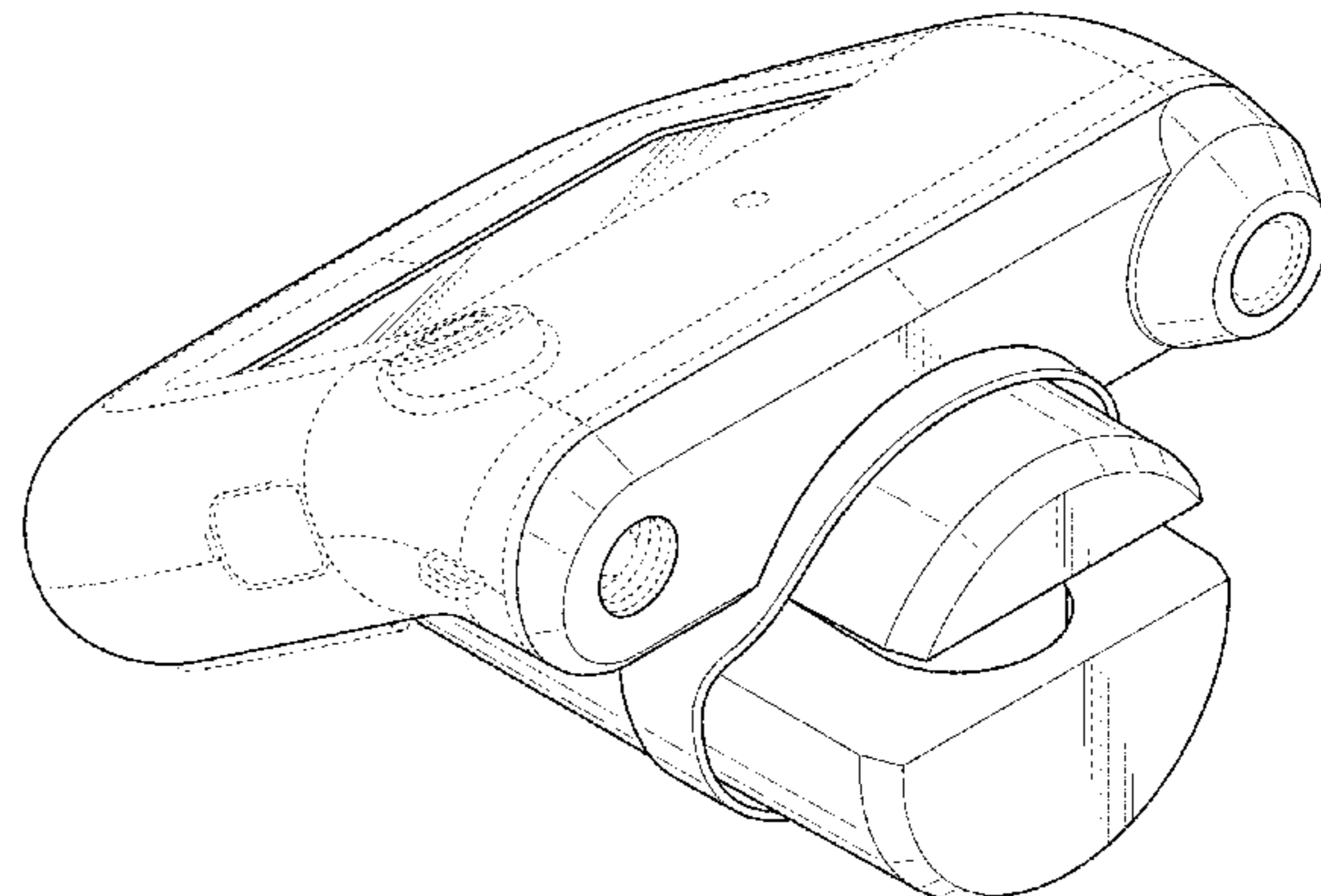
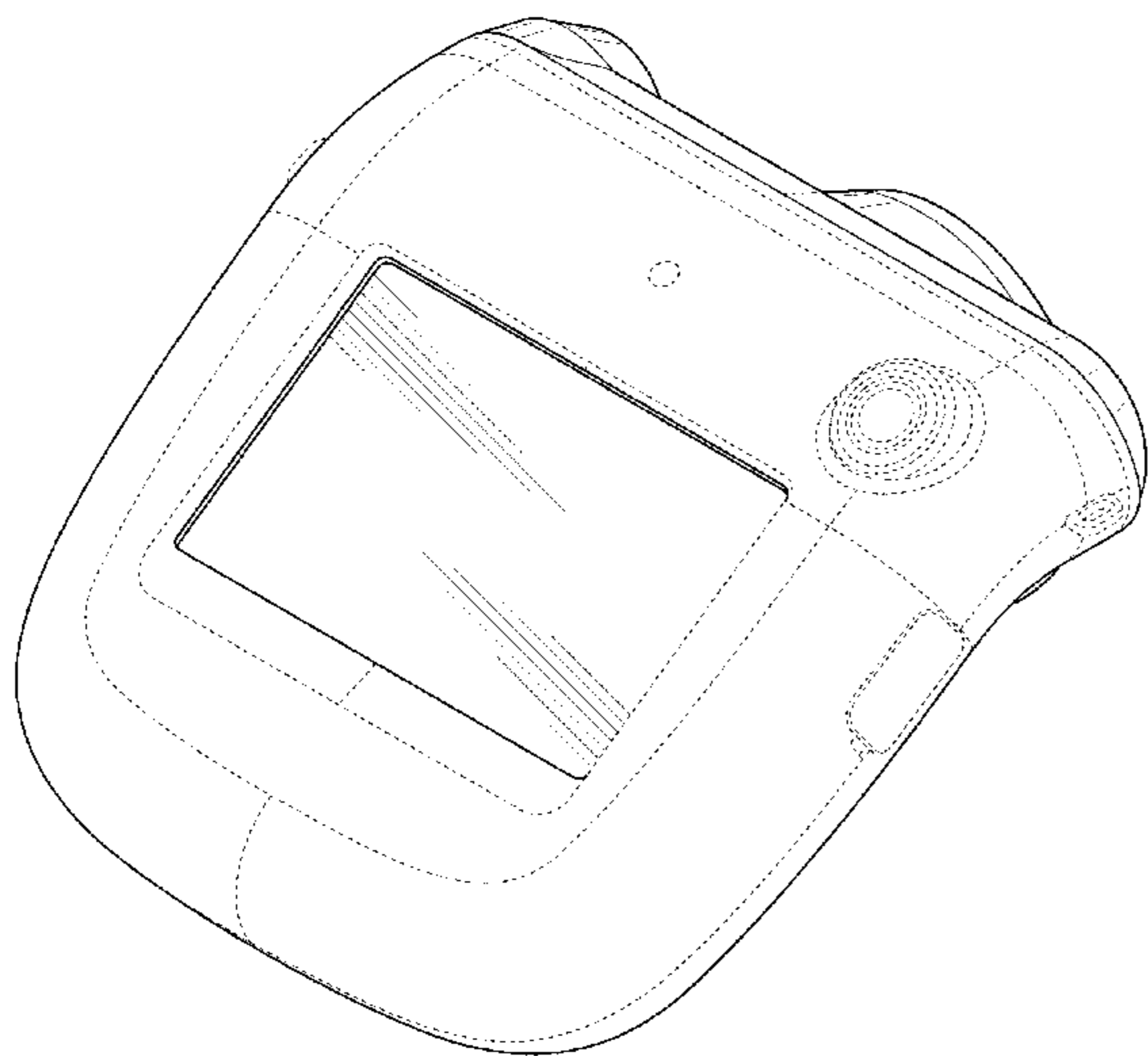
FIG. 6 is a top side elevation view thereof;

FIG. 7 is a bottom side elevation view thereof; and,

FIG. 8 is a rear perspective view thereof.

The broken lines in FIGS. 1-7 are for environmental purposes only and form no part of the claimed design.

1 Claim, 8 Drawing Sheets



(56)

References Cited

OTHER PUBLICATIONS

PCT/US2017/055938, "International Application Serial No. PCT/US2017/055938, International Search Report and Written Opinion dated Feb. 7, 2018", Kaarta, Inc., 17 pages.

Zhang, et al., "LOAM: Lidar Odometry and Mapping in Real-time", Robotics: Science and Systems Conference, Jul. 2014, 9 pages.

Zhang, et al., "Real-time Depth Enhanced Monocular Odometry", 2014 IEEE/RSJ International Conference on Intelligent Robots and Systems (IROS 2014), Chicago, IL, USA., Sep. 14-18, 2014, pp. 4973-4980.

Zhang, et al., "Visual-Lidar Odometry and Mapping: Low-drift, Robust, and Fast", 2015 IEEE International Conference on Robotics and Automation (ICRA), Washington State Convention Center, Seattle, Washington., May 26-30, 2015, pp. 2174-2181.

* cited by examiner

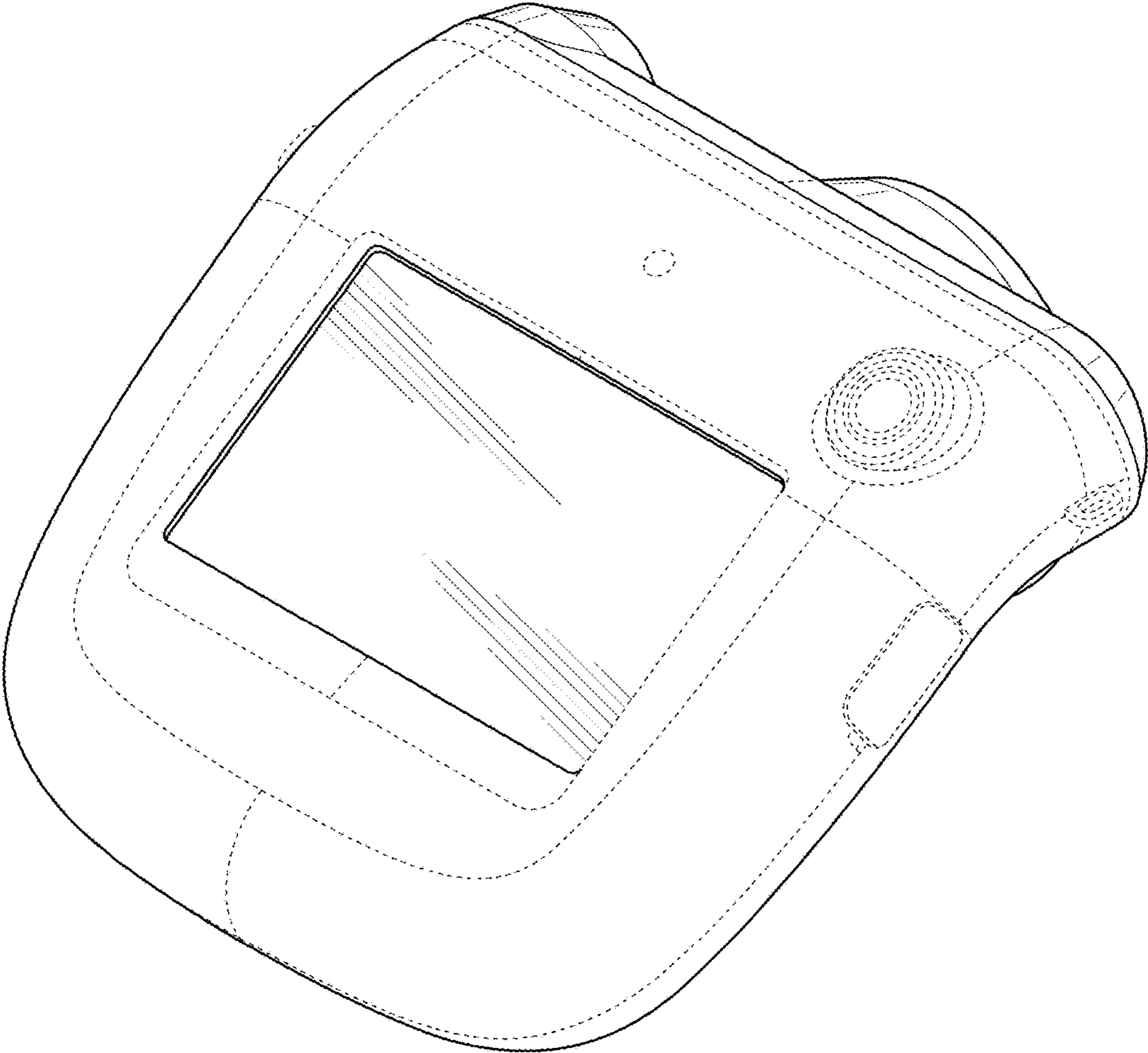


FIG. 1

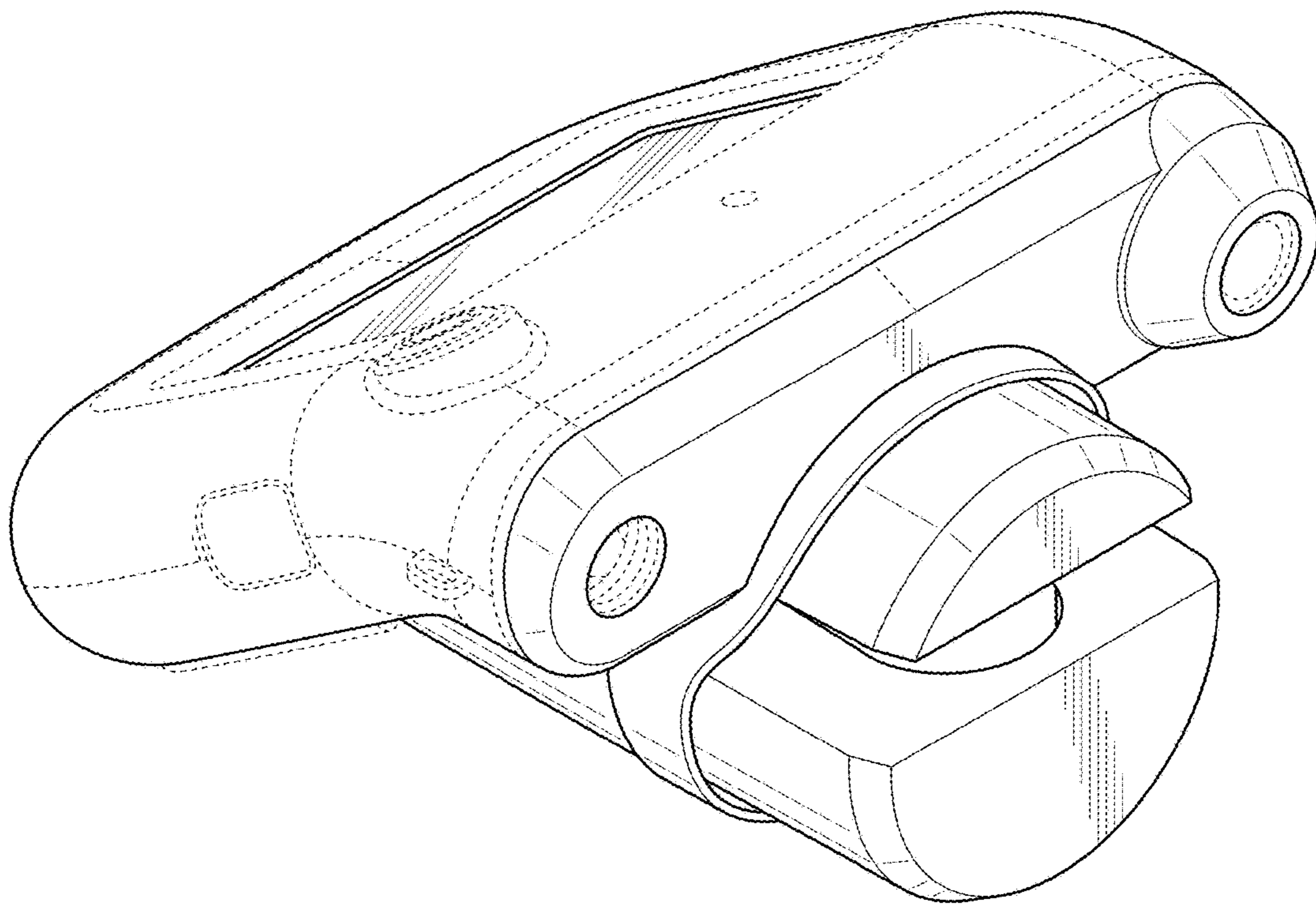


FIG. 2

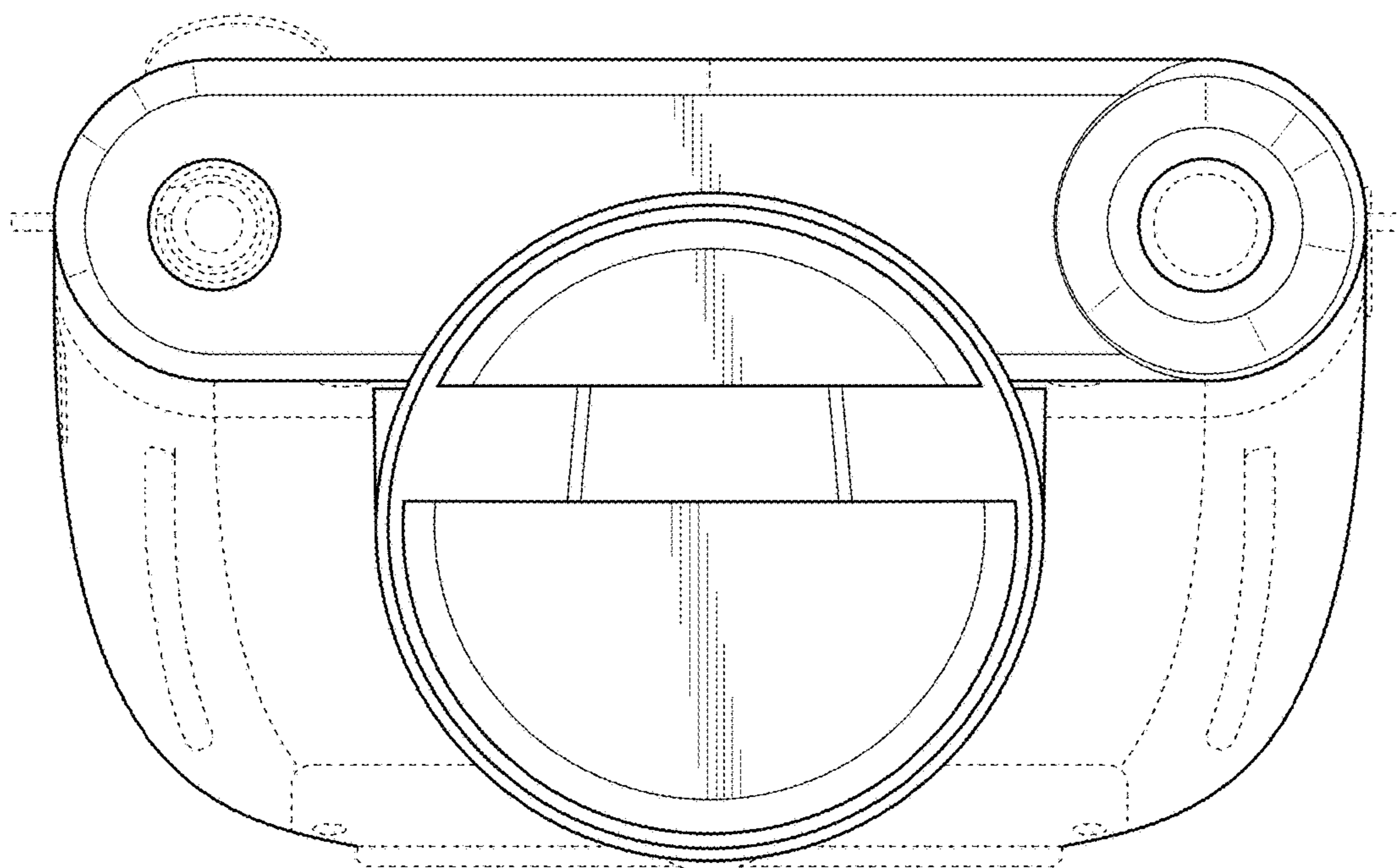


FIG. 3

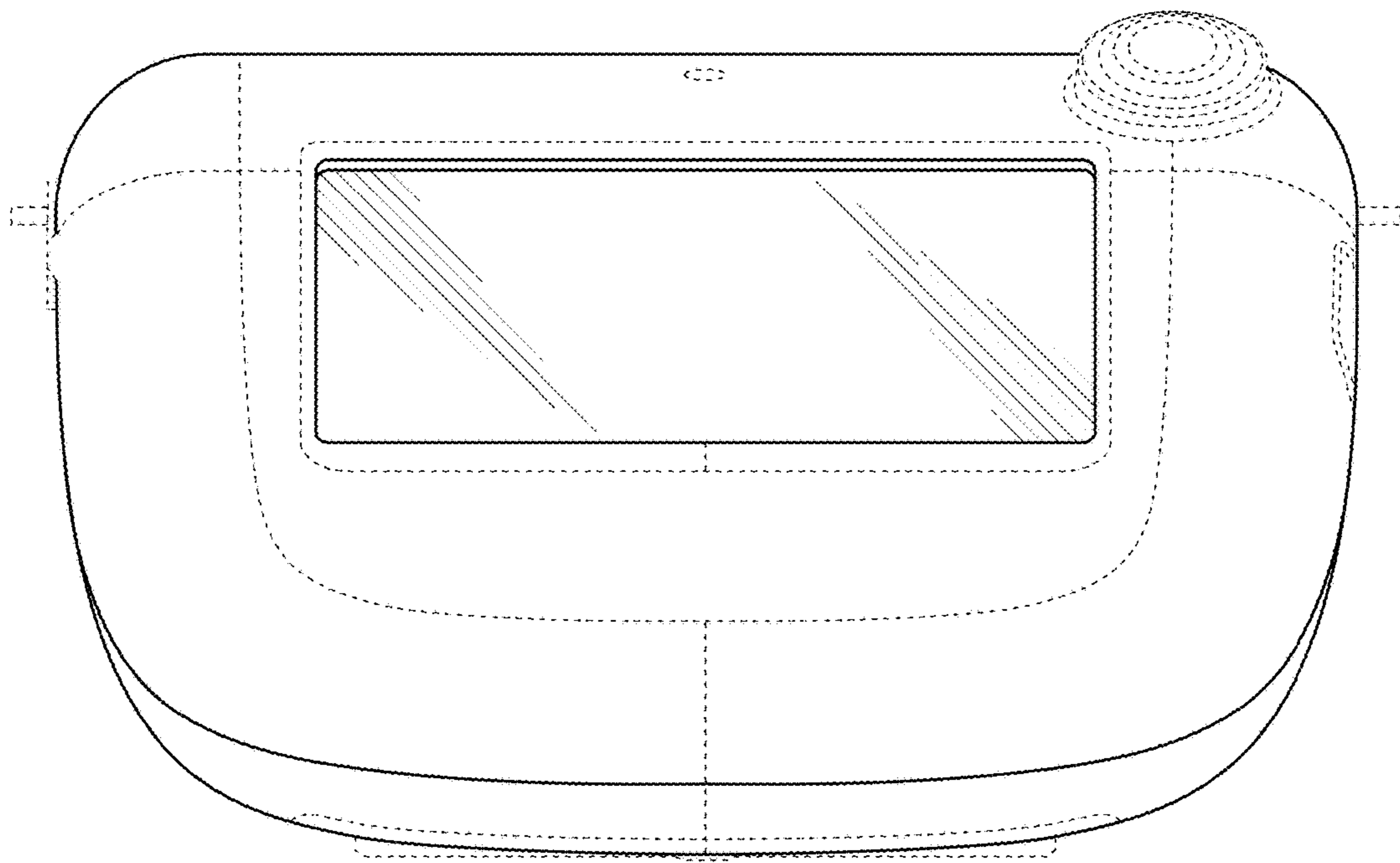


FIG. 4

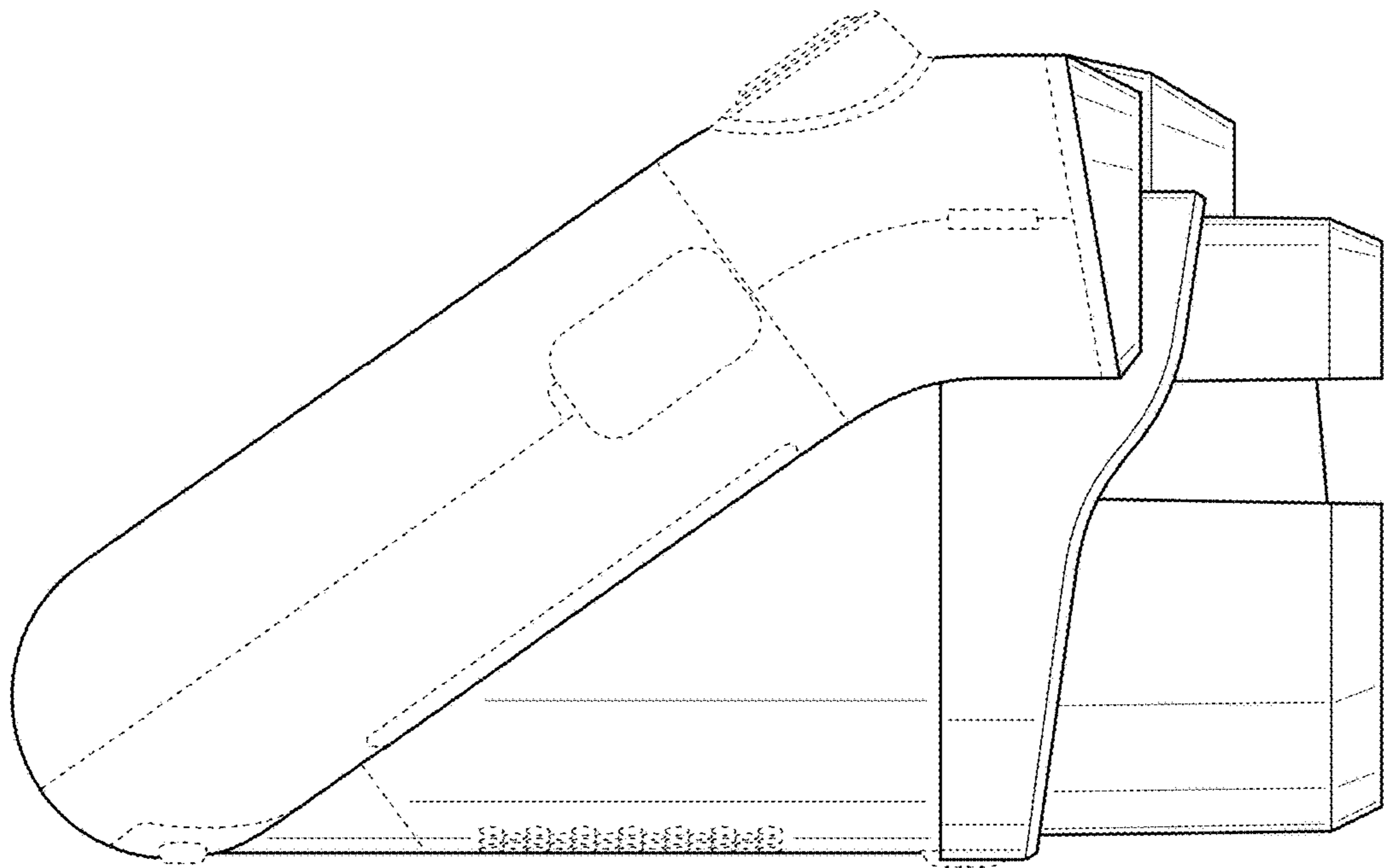


FIG. 5

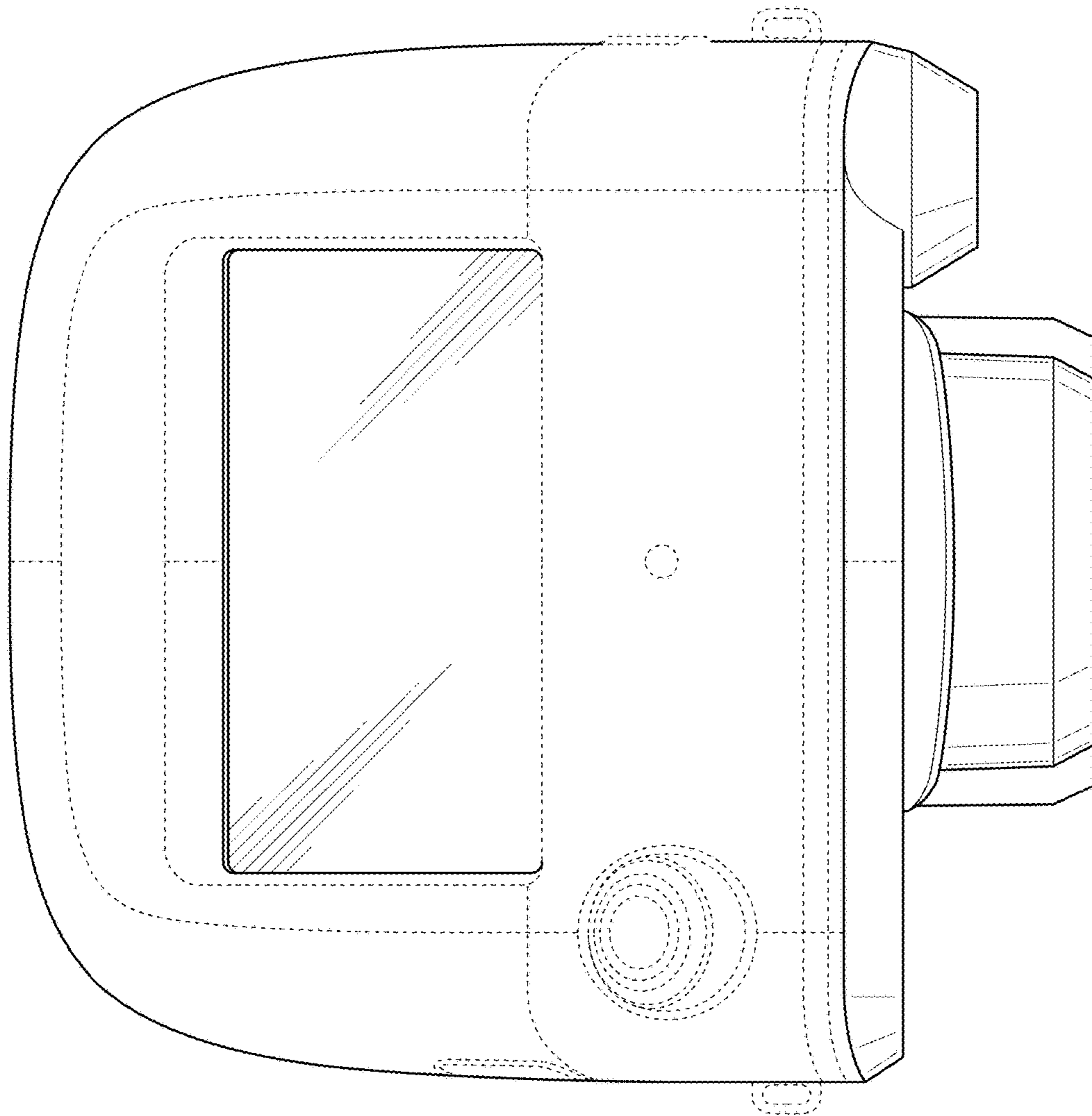


FIG. 6

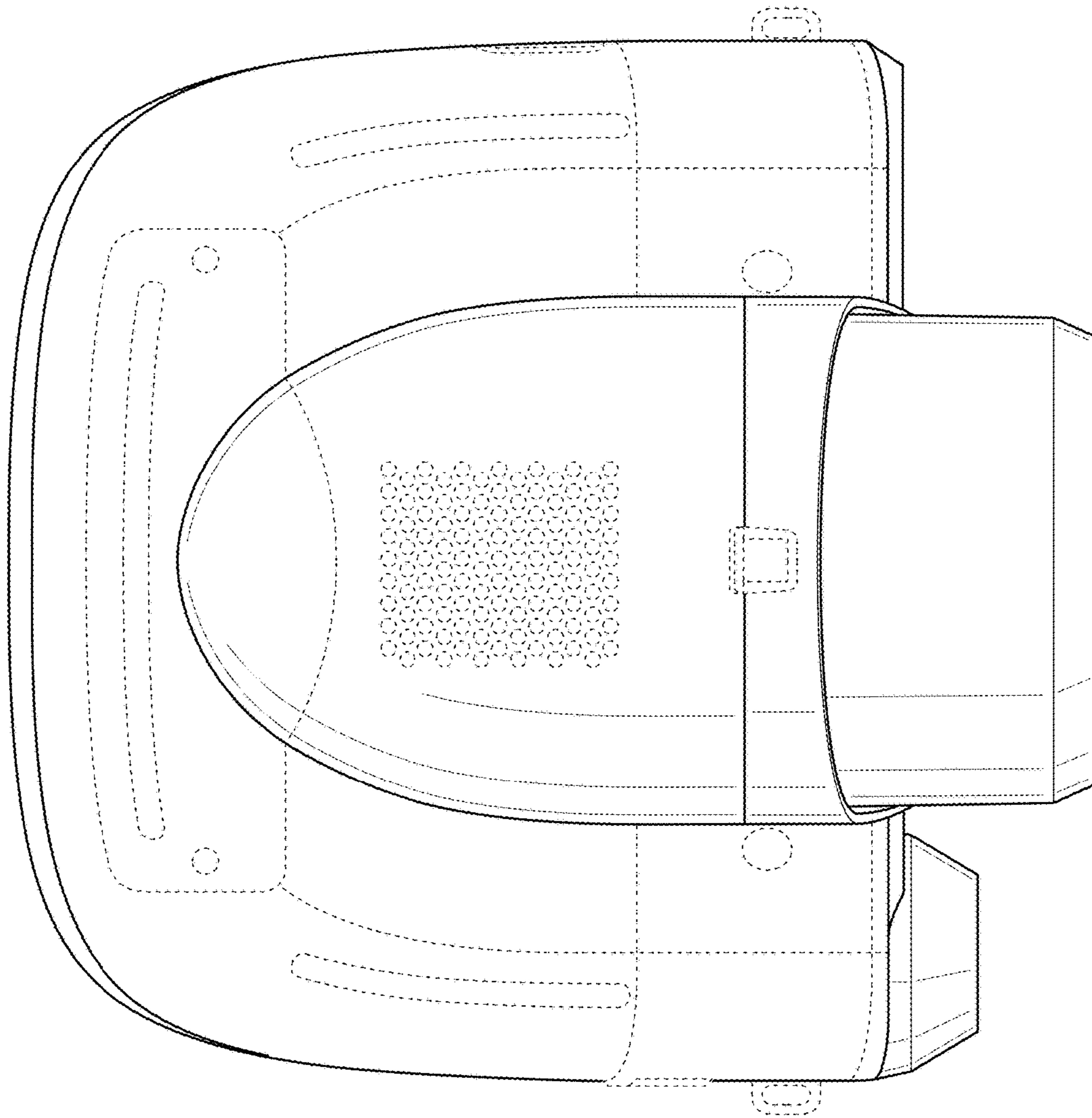


FIG. 7

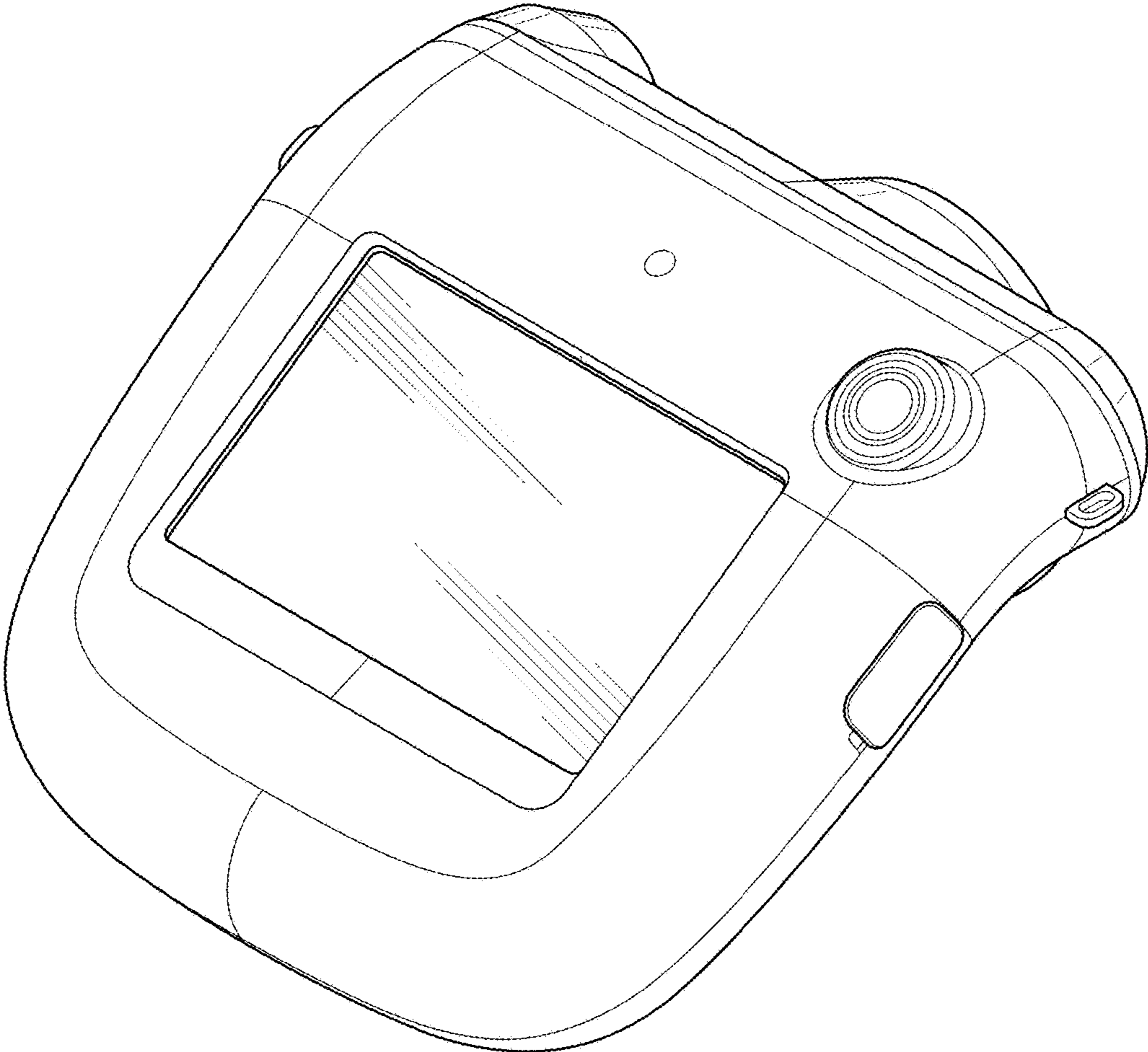


FIG. 8