



US00D823919S

(12) **United States Design Patent**
Persson et al.

(10) **Patent No.:** **US D823,919 S**
(45) **Date of Patent:** **** Jul. 24, 2018**

(54) **MONITORING CAMERA**

(71) Applicant: **AXIS AB**, Lund (SE)

(72) Inventors: **Henrik Persson**, Lund (SE); **Fredrik Axelsson**, Loddekopinge (SE); **Andreas Hertzman**, Helsingborg (SE); **Gert Nilsson**, Sjobo (SE); **Daniel Ahman**, Lomma (SE); **Mathias Walter**, Arlov (SE); **Morten Bergstrom**, Bjarred (SE)

(73) Assignee: **AXIS AB**, Lund (SE)

(**) Term: **15 Years**

(21) Appl. No.: **29/603,374**

(22) Filed: **May 9, 2017**

Related U.S. Application Data

(62) Division of application No. 29/564,737, filed on May 16, 2016.

(30) **Foreign Application Priority Data**

Nov. 16, 2015 (EM) 002861161-0001
Nov. 16, 2015 (EM) 002861161-0002
Nov. 16, 2015 (EM) 002861161-0003
Nov. 16, 2015 (EM) 002861161-0004

(51) **LOC (11) Cl.** **16-01**

(52) **U.S. Cl.**
USPC **D16/203**

(58) **Field of Classification Search**

USPC D14/130, 144, 132; D16/200–220, 242, D16/238; D26/24, 36, 72, 79, 123; D10/104.1, 104.2, 106.1, 106.2, 106.5; D9/548, 560, 572, 574, 430, 431; D29/109–110
CPC H04N 7/181; H04N 7/183; H04N 7/18; H04N 3/08; H04N 5/23248; H04N 5/23287; H04N 5/23258; H04N 5/2251; H04N 5/2252; H04N 2007/145; G01C 11/025;

(Continued)

(56) **References Cited**

U.S. PATENT DOCUMENTS

D45,539 S * 3/1914 Meyers D26/90
D79,855 S * 11/1929 Schnell D26/36

(Continued)

FOREIGN PATENT DOCUMENTS

CN 303933714 * 5/2016
TW D141836 8/2011

OTHER PUBLICATIONS

Fixed Dome Cameras, no date available, [site visited: Mar. 29, 2017], Available from Internet URL: <<https://www.axis.com/be/nl/products/fixed-dome-cameras>>.

(Continued)

Primary Examiner — Barbara Fox

Assistant Examiner — Mary C Ramirez

(74) *Attorney, Agent, or Firm* — Volpe and Koenig, P.C.

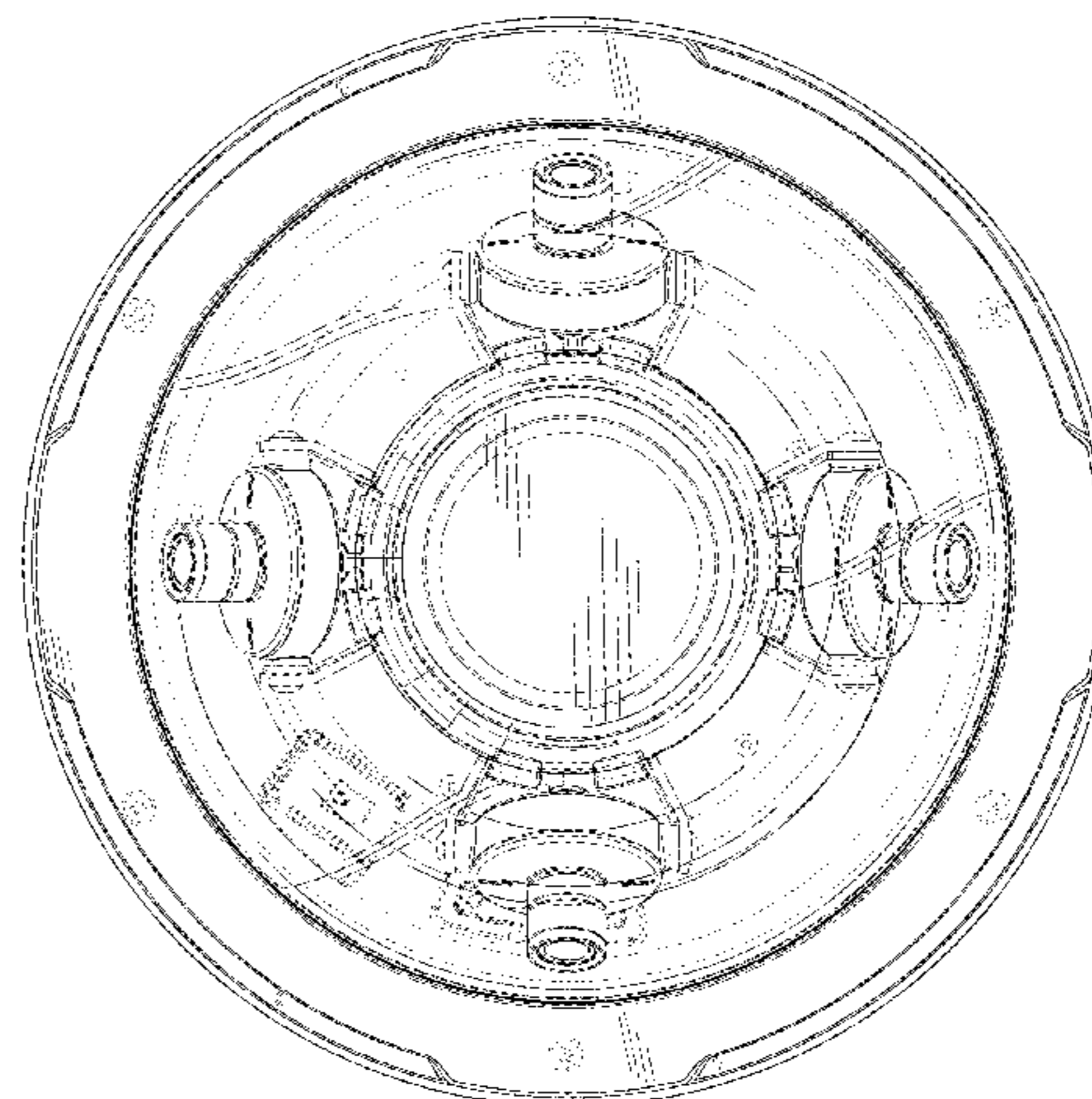
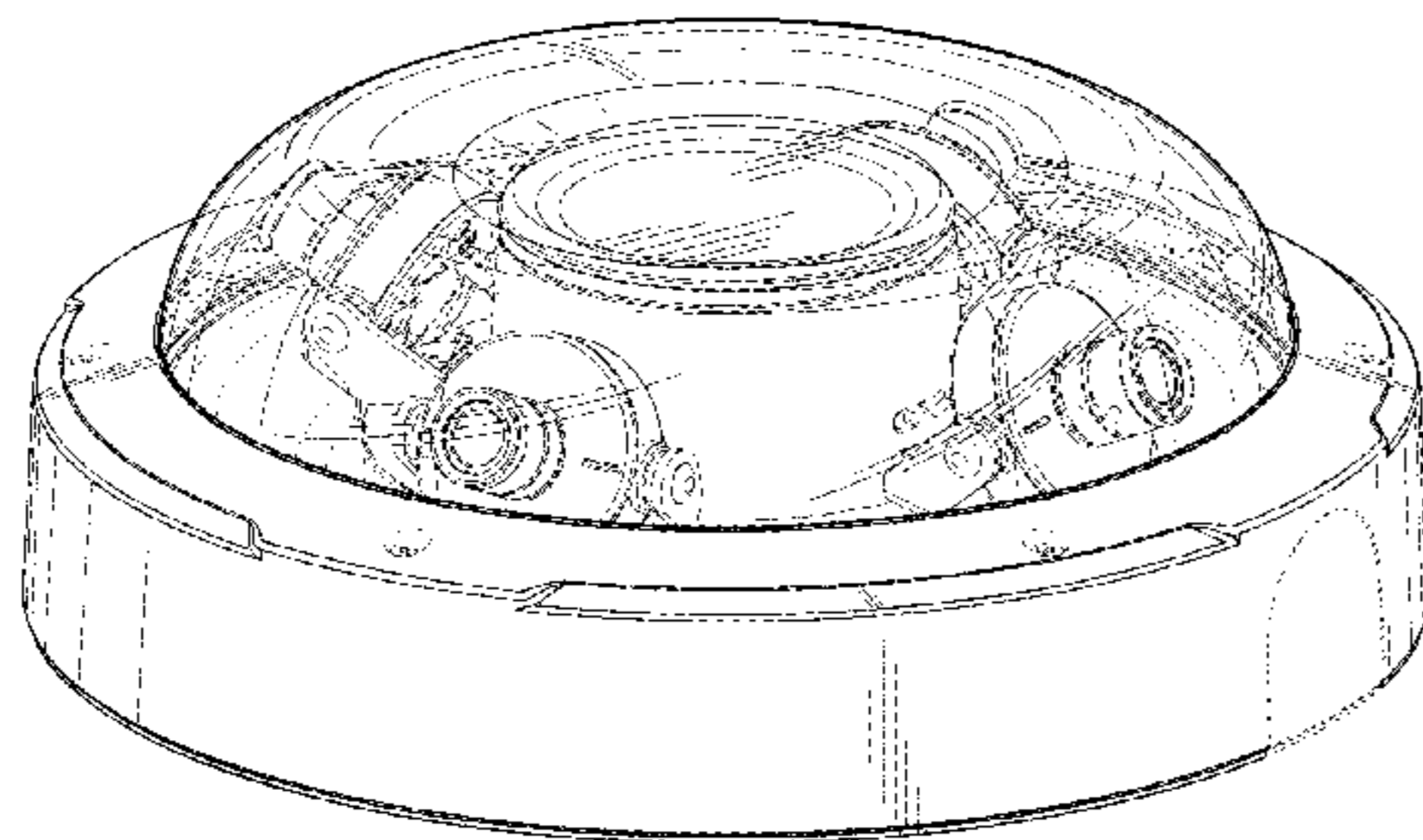
(57) **CLAIM**

The ornamental design for a monitoring camera, as shown and described.

DESCRIPTION

FIG. 1 is a perspective view of a monitoring camera showing our new design;
FIG. 2 is a left side view thereof;
FIG. 3 is a top plan view thereof;
FIG. 4 is a front elevational view thereof;
FIG. 5 is a rear elevational view thereof;
FIG. 6 is a right side view thereof; and,
FIG. 7 is a bottom plan view thereof.
The broken lines shown in the drawings depict portions of the monitoring camera that form no part of the claimed design.

1 Claim, 4 Drawing Sheets



(58) **Field of Classification Search**

CPC G03B 15/00; G03B 15/03; G03B 17/56;
 G03B 17/02; G03B 17/30; G03B 17/04;
 G03B 17/00; G03B 19/04; G03B 3/00;
 B60R 1/00; B60R 2300/105; G08B
 13/19619; G08B 13/1963; G08B
 13/19632; F16M 11/04; F16M 13/00;
 Y02E 60/12

See application file for complete search history.

(56) **References Cited**

U.S. PATENT DOCUMENTS

D91,665 S 3/1934 Kaynor
 D115,971 S * 8/1939 Stewart D26/123
 D182,672 S 4/1958 Korabowski
 D389,597 S 1/1998 Gismondi
 D486,940 S 2/2004 Yiu
 D512,417 S 12/2005 Hirakawa et al.
 D530,525 S 10/2006 Greene, II
 D544,618 S 6/2007 Coushaine
 D568,830 S 5/2008 Park et al.
 D583,981 S 12/2008 Meyer et al.
 7,534,057 B2 * 5/2009 Jones F16M 11/10
 248/178.1
 D617,035 S 6/2010 Sabernig
 D617,039 S 6/2010 Sabernig
 D619,755 S 7/2010 Lai et al.
 D628,737 S 12/2010 van den Akker
 D632,599 S 2/2011 Tupinier

D633,231 S 2/2011 Morrison
 D645,191 S 9/2011 Krause
 D647,227 S * 10/2011 Kaule D26/24
 D654,617 S 2/2012 Marquardt et al.
 D666,353 S 8/2012 Lin et al.
 D694,463 S 11/2013 Sieczkowski
 D712,963 S 9/2014 Fleet
 D725,088 S 3/2015 Kwak et al.
 D743,382 S 11/2015 Katori
 D750,683 S 3/2016 Bergstrom et al.
 D758,470 S 6/2016 Kircher et al.
 9,438,782 B2 * 9/2016 Donaldson G03B 17/02
 D771,600 S 11/2016 Hinokio et al.
 D775,319 S * 12/2016 Park D23/385
 D777,367 S 1/2017 Ma
 D789,373 S * 6/2017 King D14/413
 D793,464 S 8/2017 Donaldson
 D798,934 S 10/2017 Wu
 D801,407 S 10/2017 Kullgren et al.
 D811,462 S * 2/2018 Axelsson D16/203
 2005/0263785 A1 12/2005 Kim et al.
 2015/0358538 A1 12/2015 Donaldson

OTHER PUBLICATIONS

Arecont Vision®, Surround Video® Omni IP Cameras, All0in-One
 Omni-Directional User-Configurable Indoor/Outdoor Multi-Sensor
 Cameras 12-20 Megapixels, H.264/MJPEG, WDR, Day/Night
 (2015).

* cited by examiner

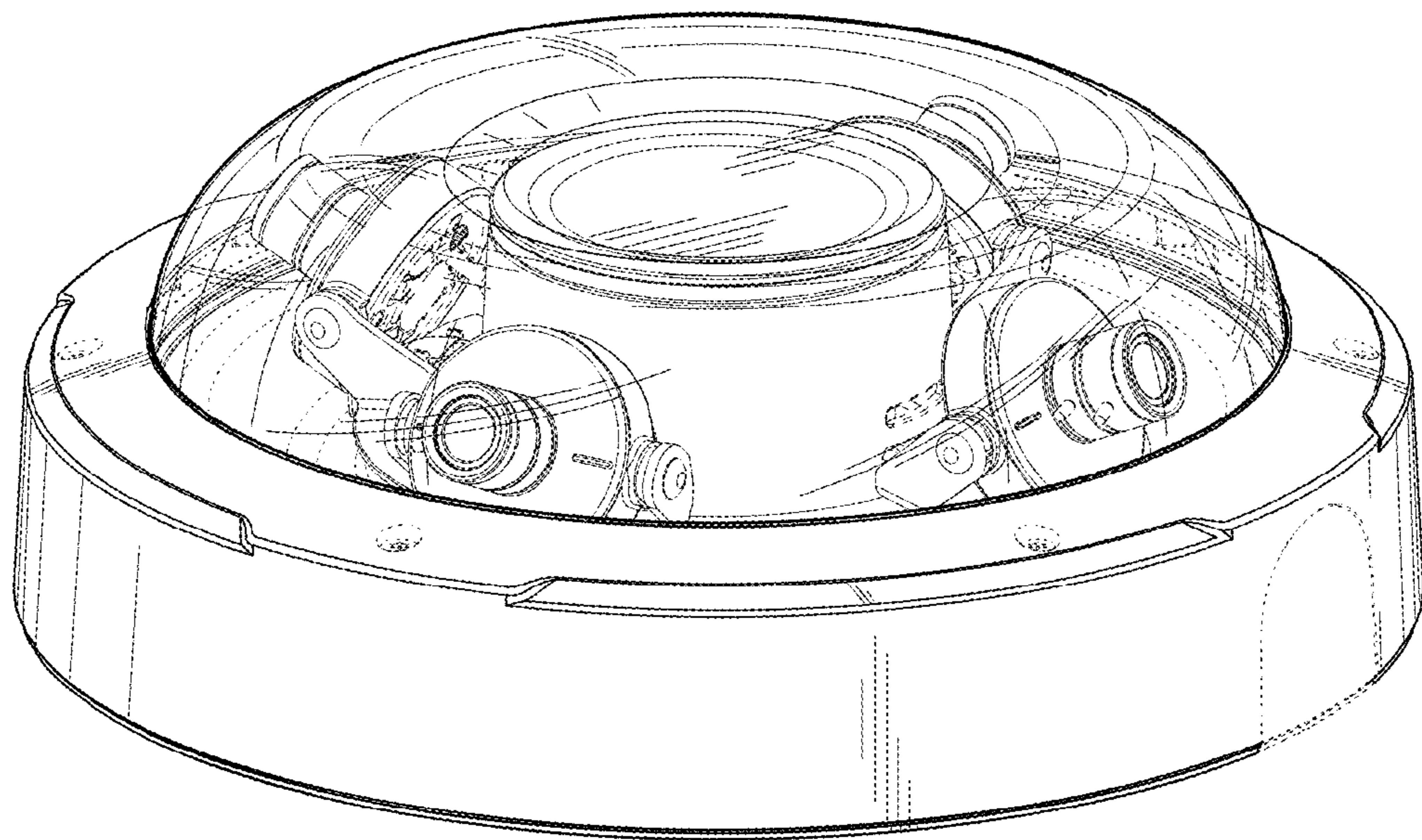


Fig. 1

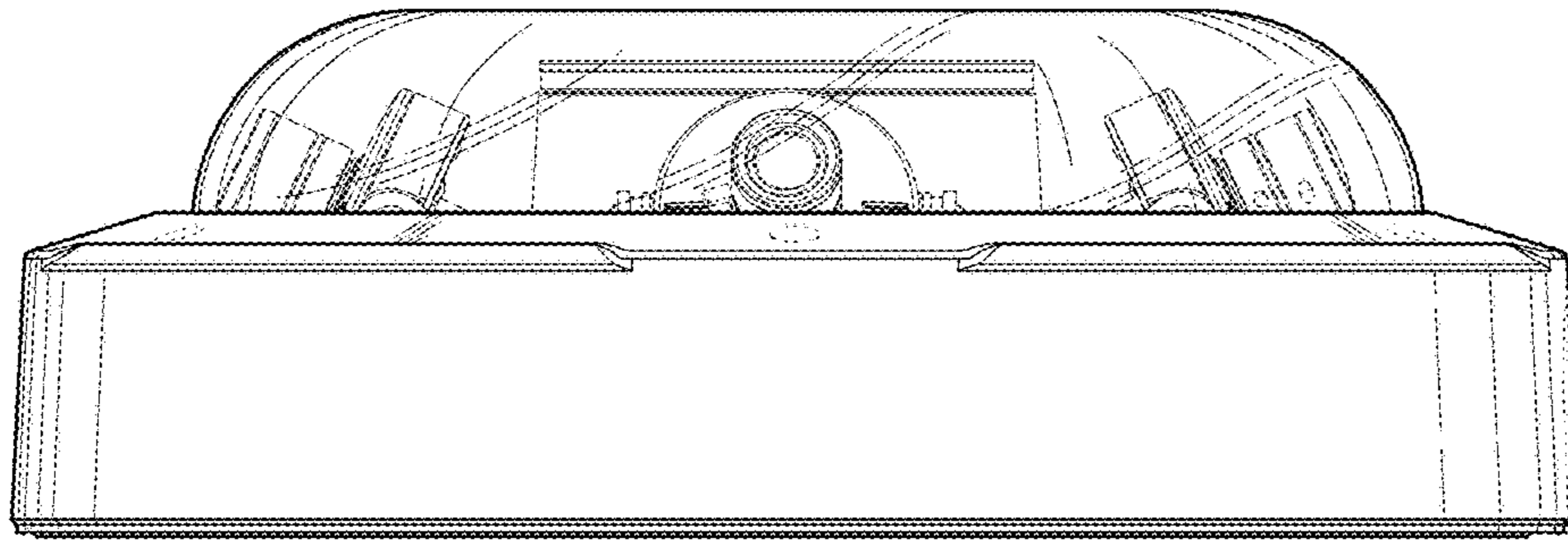


Fig. 2

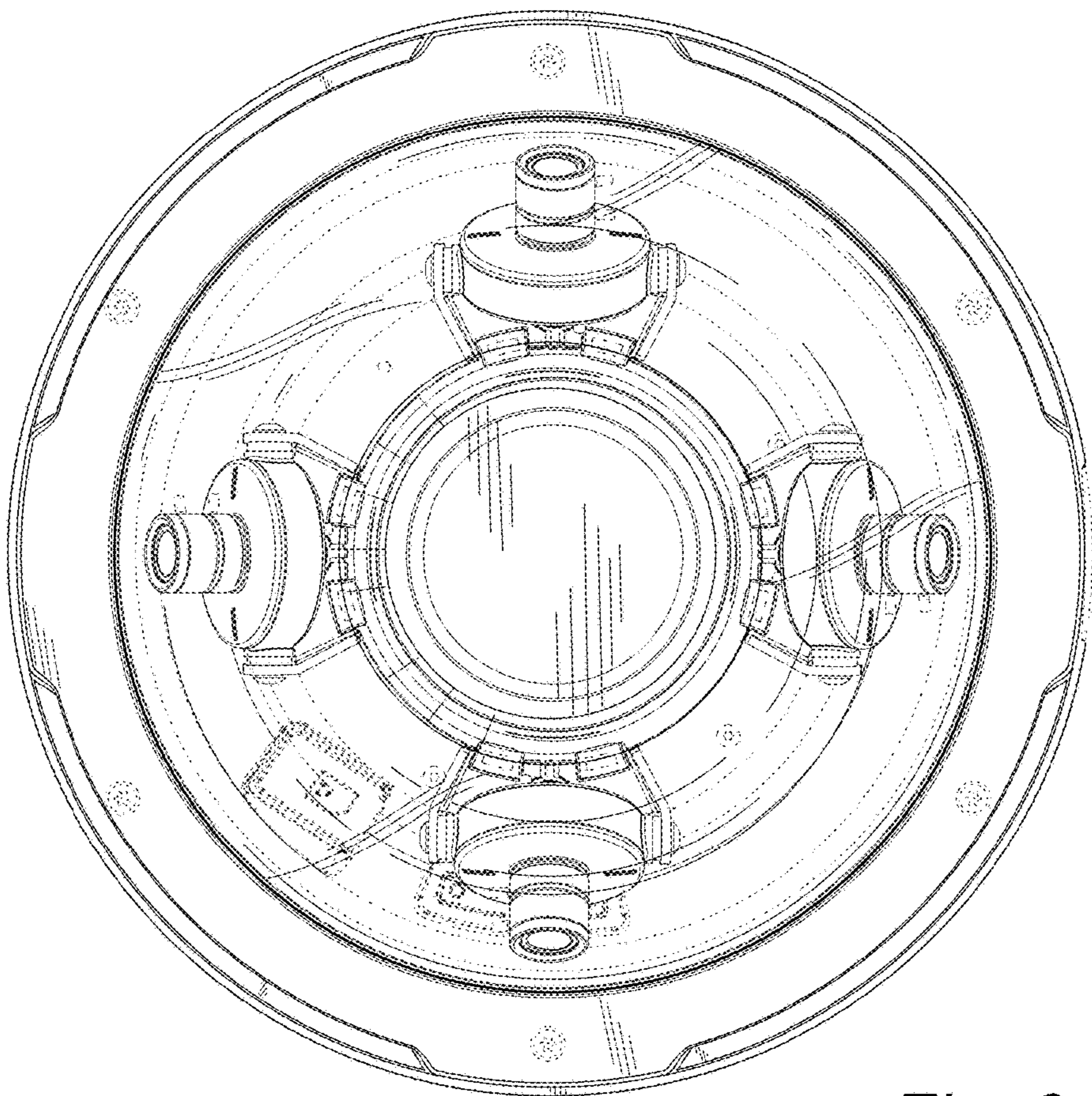


Fig. 3

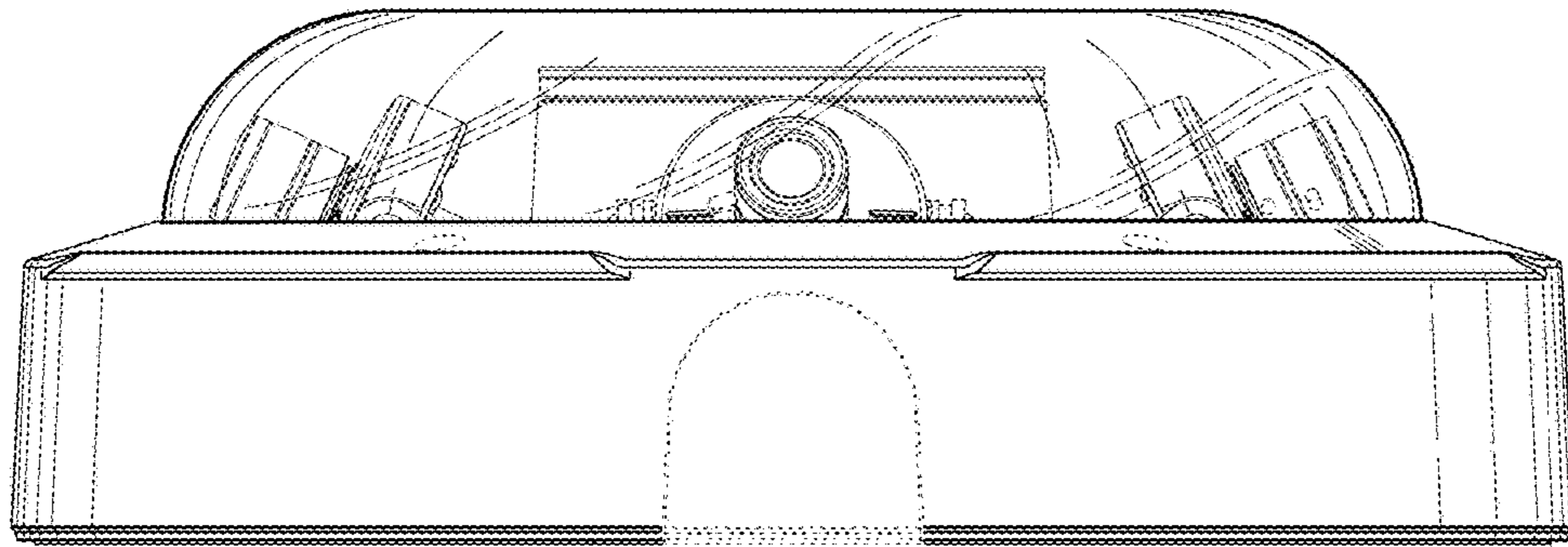


Fig. 4

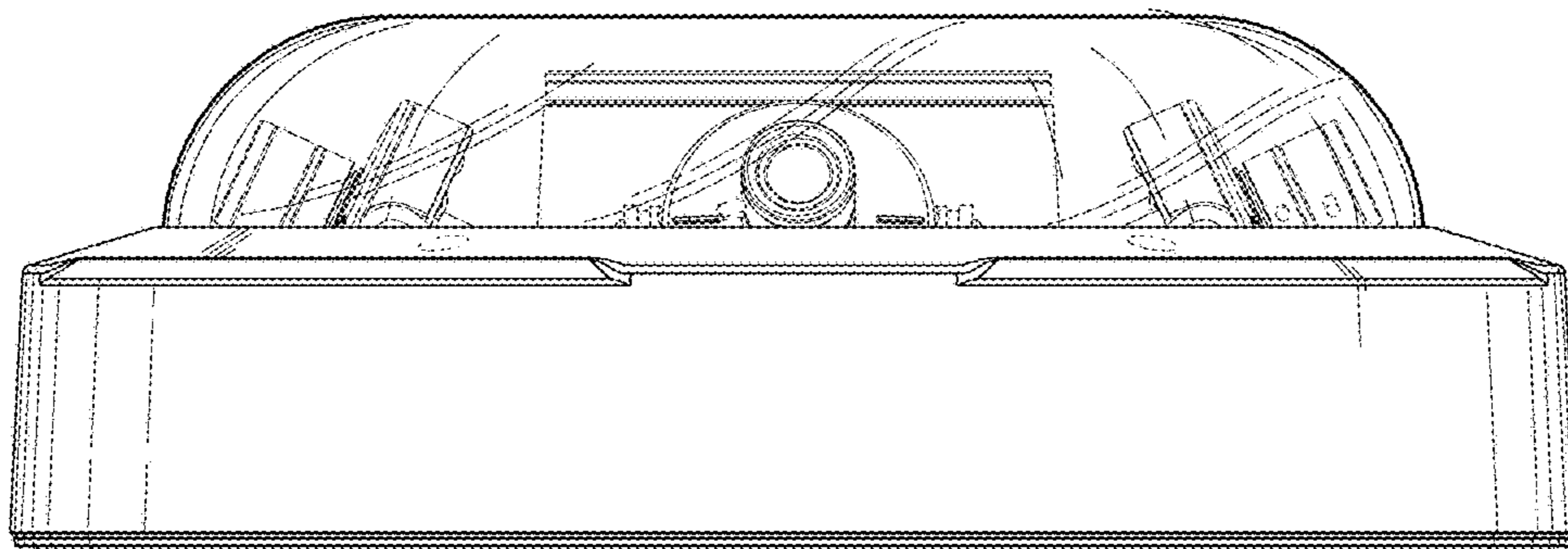


Fig. 5

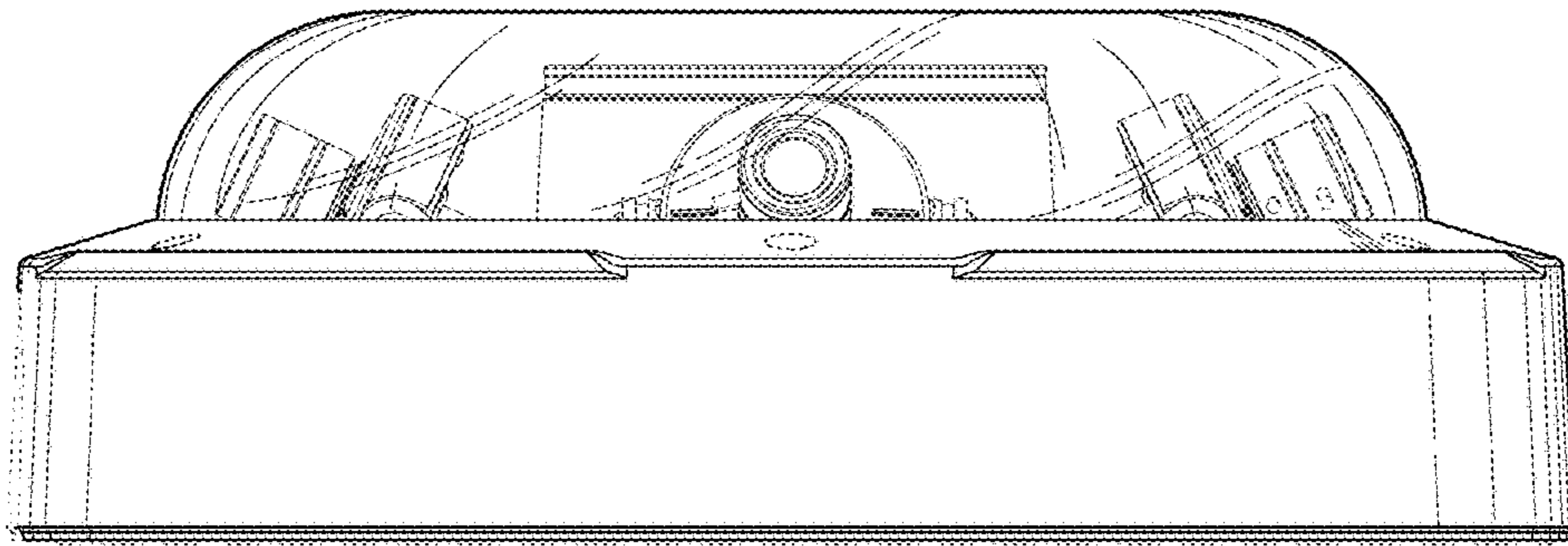


Fig. 6

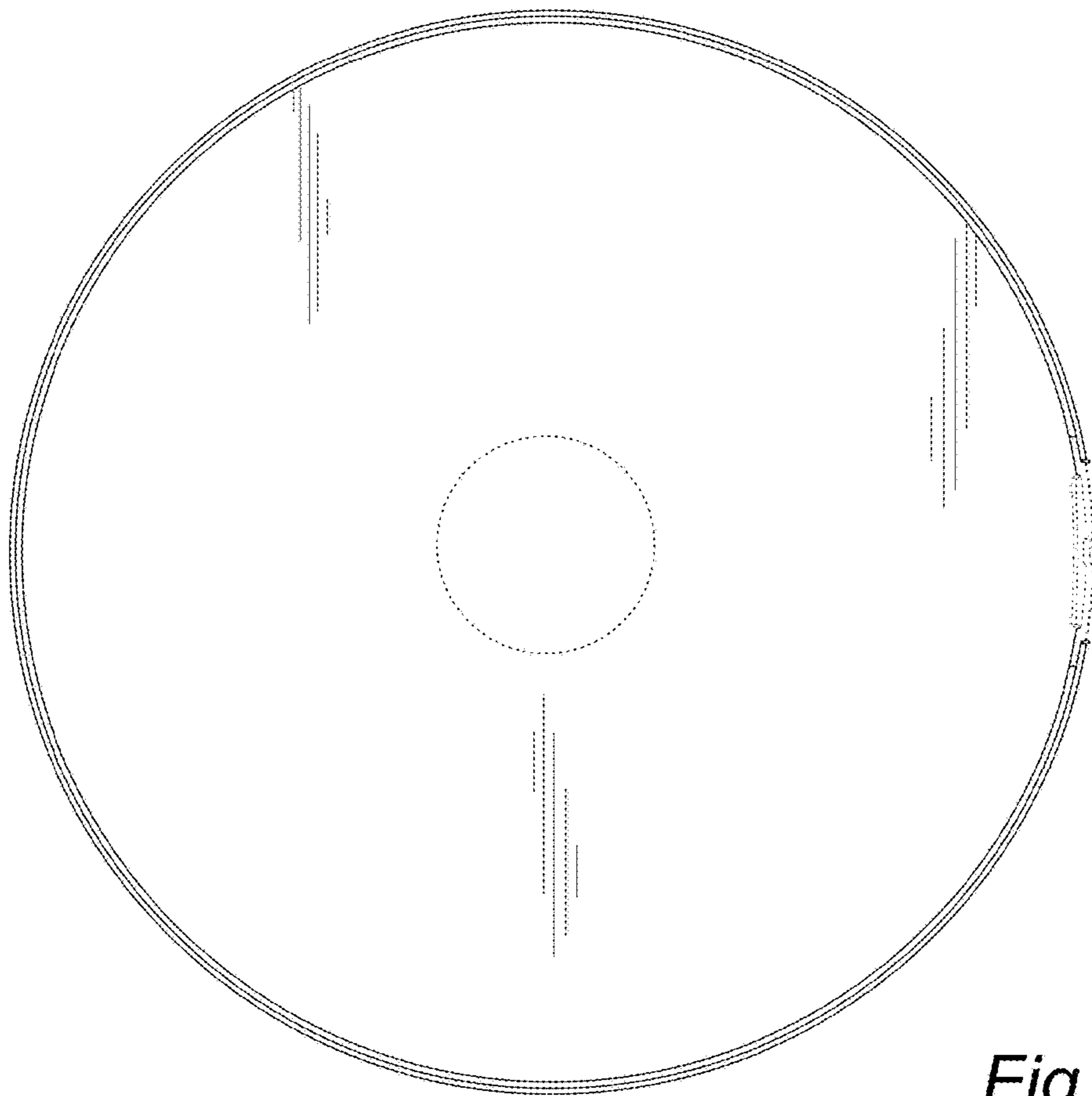


Fig. 7