



US00D823918S

(12) **United States Design Patent**  
**Shain**

(10) **Patent No.:** **US D823,918 S**  
(45) **Date of Patent:** **\*\* Jul. 24, 2018**

(54) **CAMERA**

(71) Applicant: **FLIR Systems, Inc.**, Wilsonville, OR (US)

(72) Inventor: **Chaim Shain**, Ridgefield, NJ (US)

(73) Assignee: **FLIR Systems, Inc.**, Wilsonville, OR (US)

(\*\*) Term: **15 Years**

(21) Appl. No.: **29/598,603**

(22) Filed: **Mar. 27, 2017**

(51) **LOC (11) Cl.** ..... **16-01**

(52) **U.S. Cl.**  
USPC ..... **D16/202**

(58) **Field of Classification Search**  
USPC ..... D16/200, 202–206, 208, 218, 219, 242;  
348/164, 347, 373–376; 396/535,  
396/539–541; 250/330, 332  
CPC ..... G03B 15/03; G03B 17/02; G03B 17/04;  
G03B 17/56; G03B 19/04; H04N 5/2251;  
H04N 5/2252; H04N 5/2253; H04N  
5/2254; H04N 2101/00; H04N 5/33;  
H04N 5/332

See application file for complete search history.

(56) **References Cited**

**U.S. PATENT DOCUMENTS**

D312,649 S \* 12/1990 Sakuta ..... D16/202  
D366,270 S \* 1/1996 Hasegawa ..... D16/203  
D470,520 S \* 2/2003 Yamakawa ..... D16/203  
D489,744 S \* 5/2004 Muto ..... D16/203

D522,035 S \* 5/2006 Muto ..... D16/203  
D612,408 S \* 3/2010 Yamakawa ..... D16/203  
D612,410 S \* 3/2010 Deurwaarder ..... D16/203  
D613,784 S \* 4/2010 Wang ..... D16/203  
D657,409 S \* 4/2012 Miyashita ..... D16/203  
D668,282 S \* 10/2012 Ohno ..... D16/203  
D686,267 S \* 7/2013 Mihara ..... D16/202  
D743,472 S \* 11/2015 Tanifuji ..... D16/203  
D753,749 S 4/2016 Zhu  
D764,559 S 8/2016 Luo et al.  
D791,848 S 7/2017 Zhu et al.  
2011/0298925 A1\* 12/2011 Inoue ..... H04N 5/2251  
348/148

\* cited by examiner

*Primary Examiner* — Philip S Hyder

*Assistant Examiner* — Ramzi S Almatrahi

(74) *Attorney, Agent, or Firm* — Haynes and Boone, LLP

(57) **CLAIM**

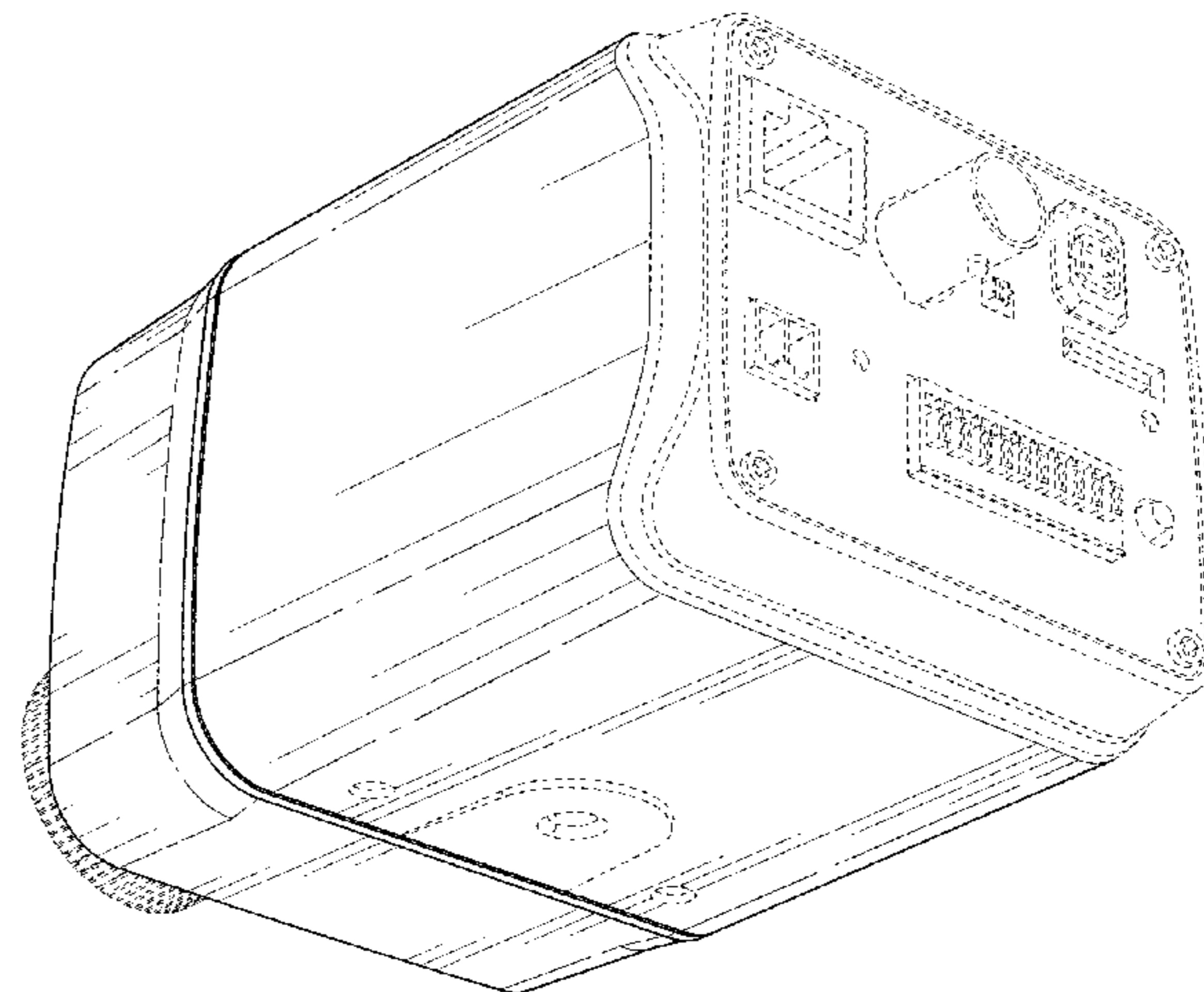
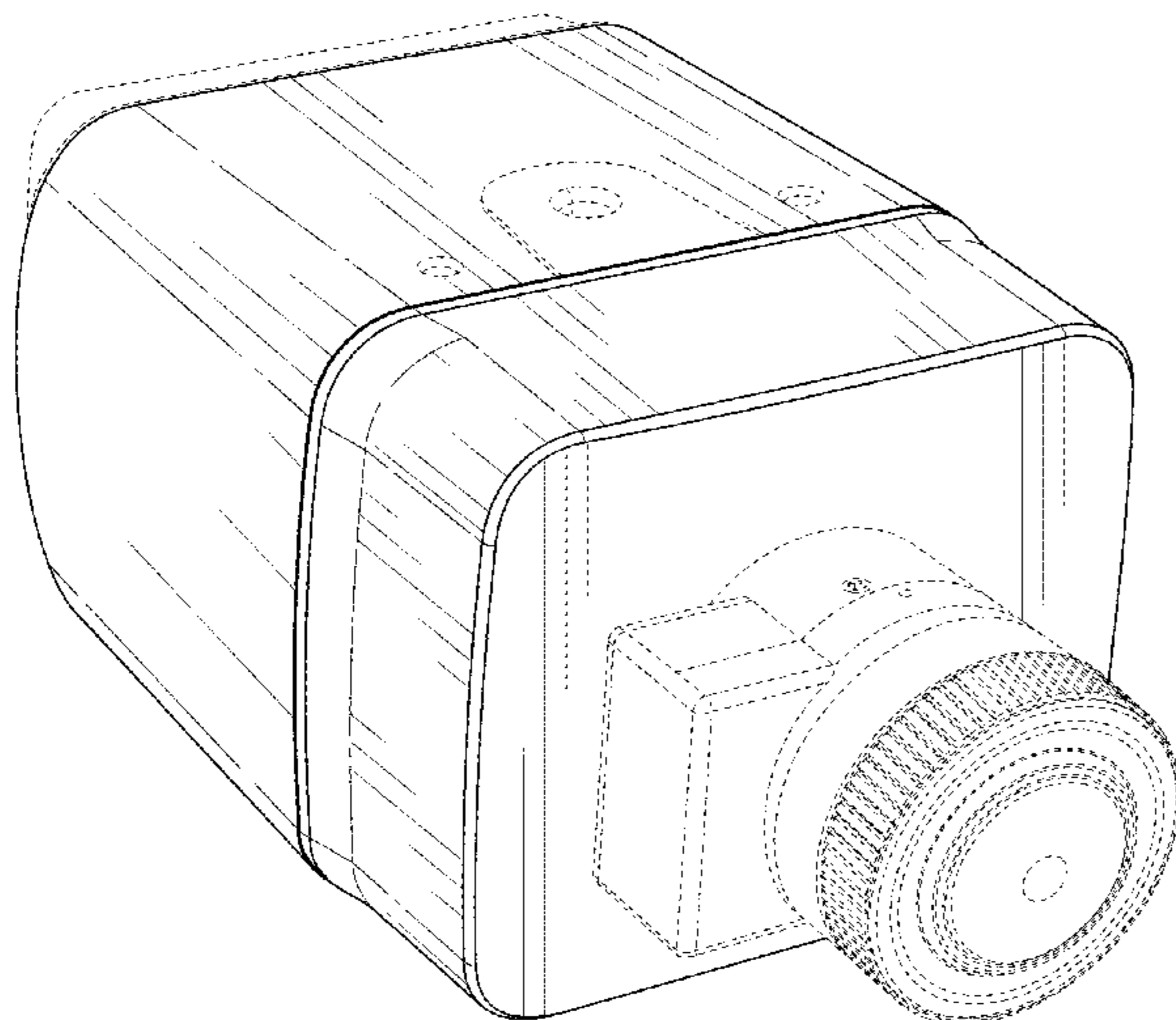
The ornamental design for a camera, as shown and described.

**DESCRIPTION**

FIG. 1 is a front, right, and top perspective view of a camera embodying the new design;  
FIG. 2 a rear, left, and bottom perspective view thereof;  
FIG. 3 is a front elevational view thereof;  
FIG. 4 is a rear elevational view thereof;  
FIG. 5 is a right side elevational view thereof;  
FIG. 6 is a left side elevational view thereof;  
FIG. 7 is a top plan view thereof; and,  
FIG. 8 is a bottom plan view thereof.

The broken lines depict portions of the camera in which the design is embodied that form no part of the claimed design.

**1 Claim, 8 Drawing Sheets**



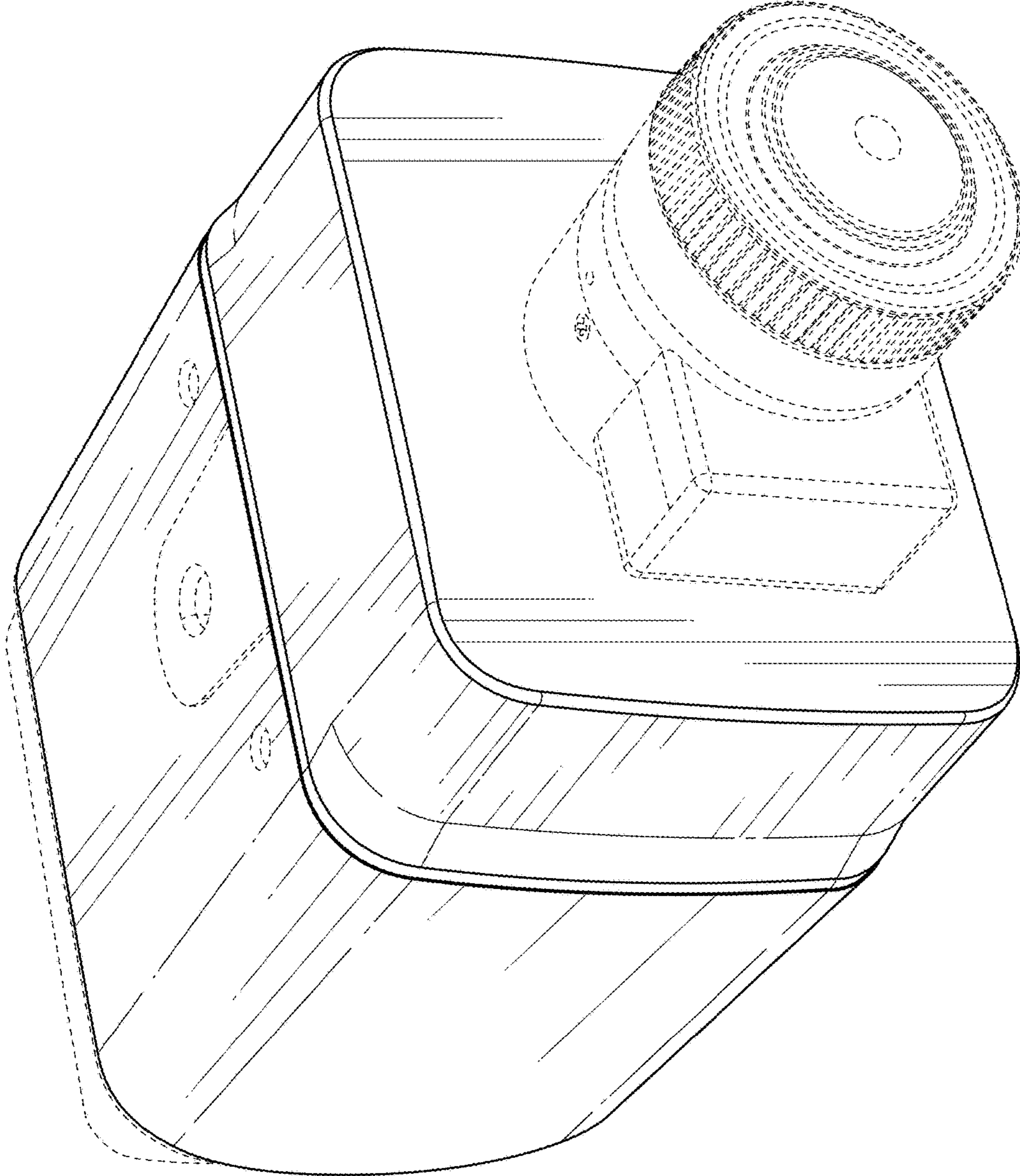


FIG. 1

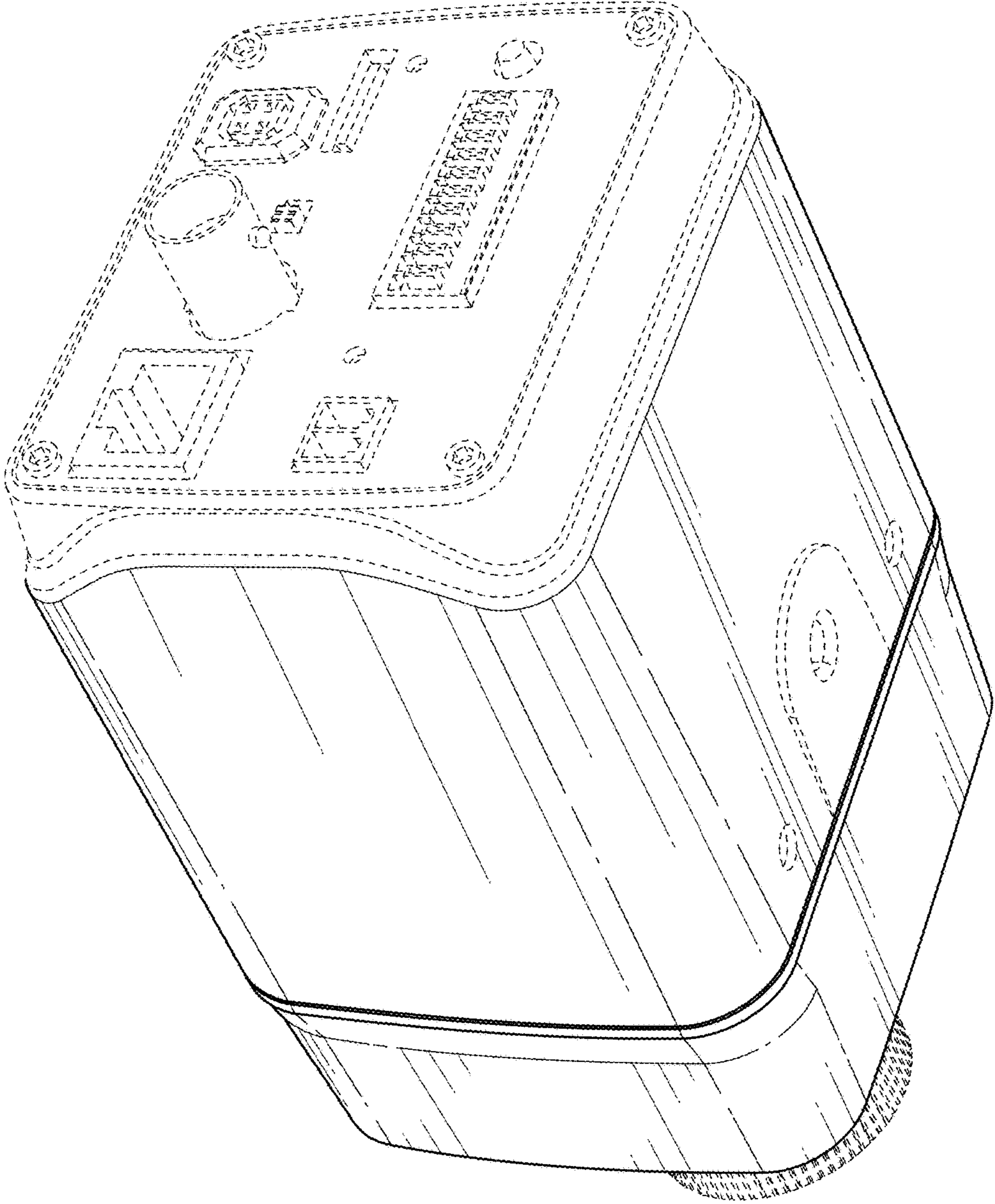


FIG. 2



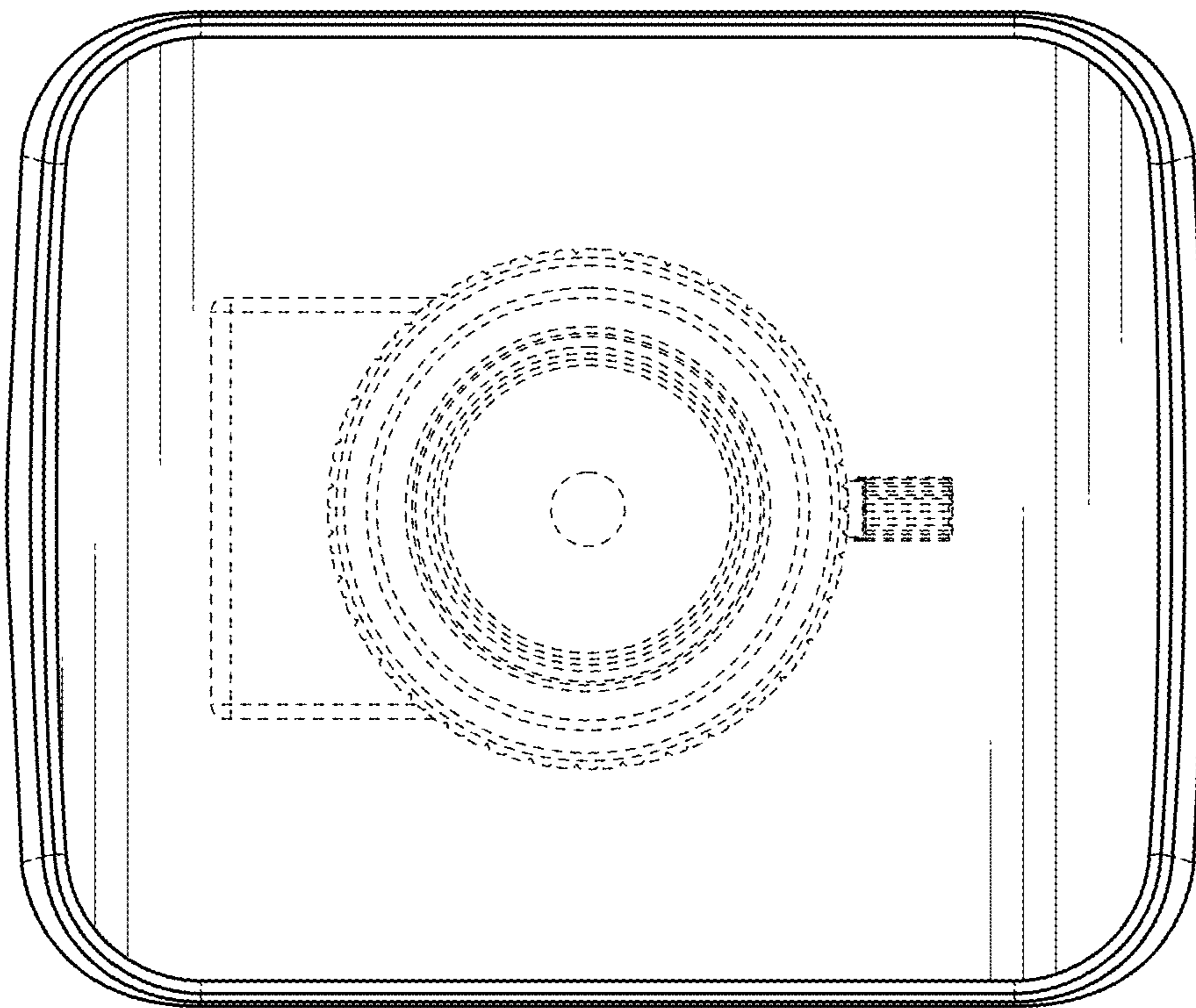


FIG. 3

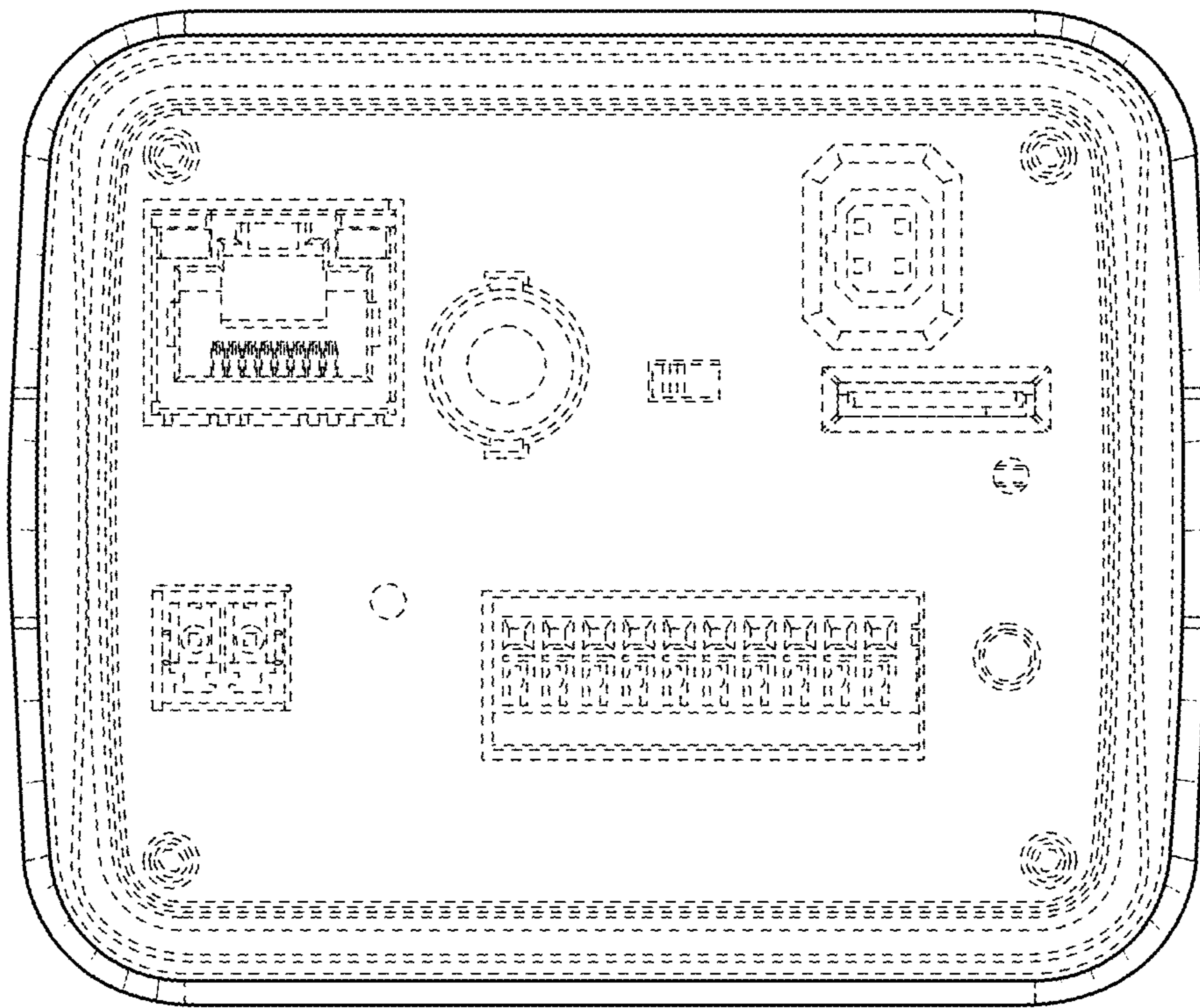


FIG. 4

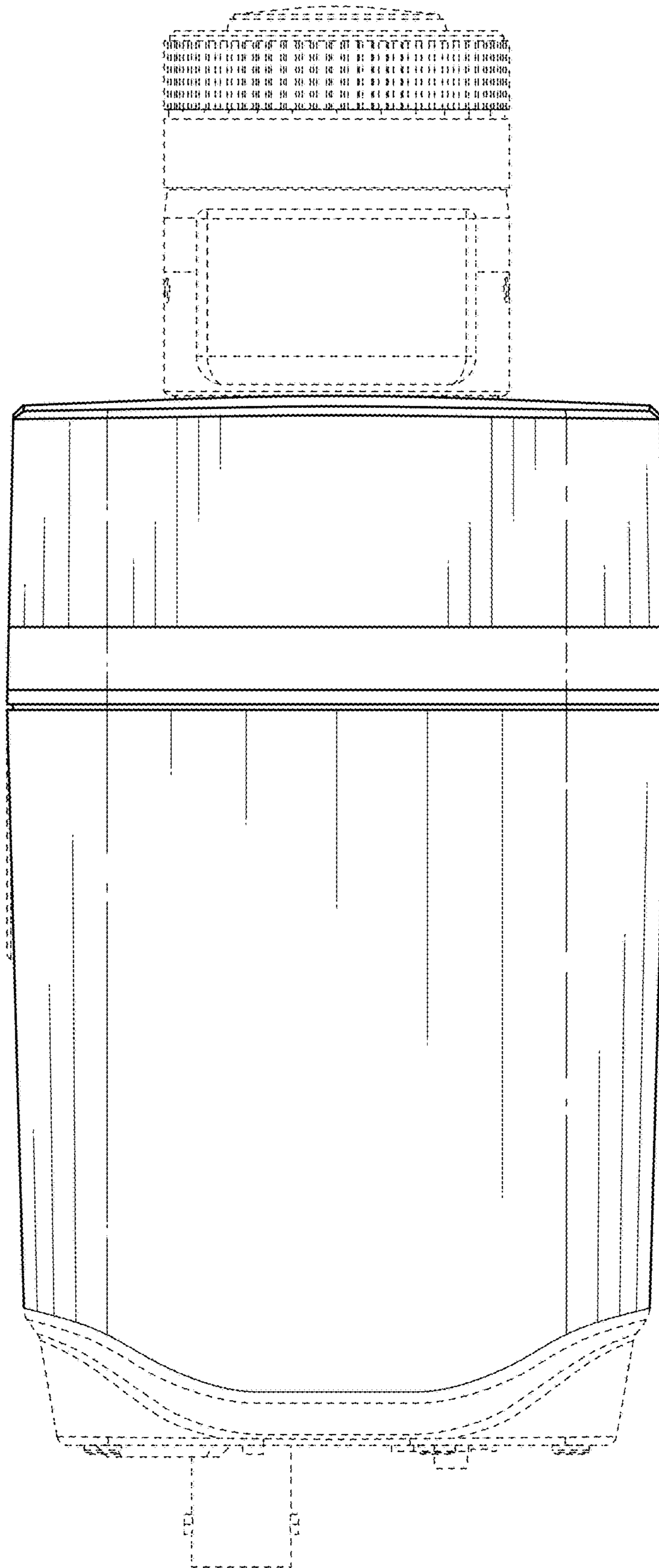


FIG. 5

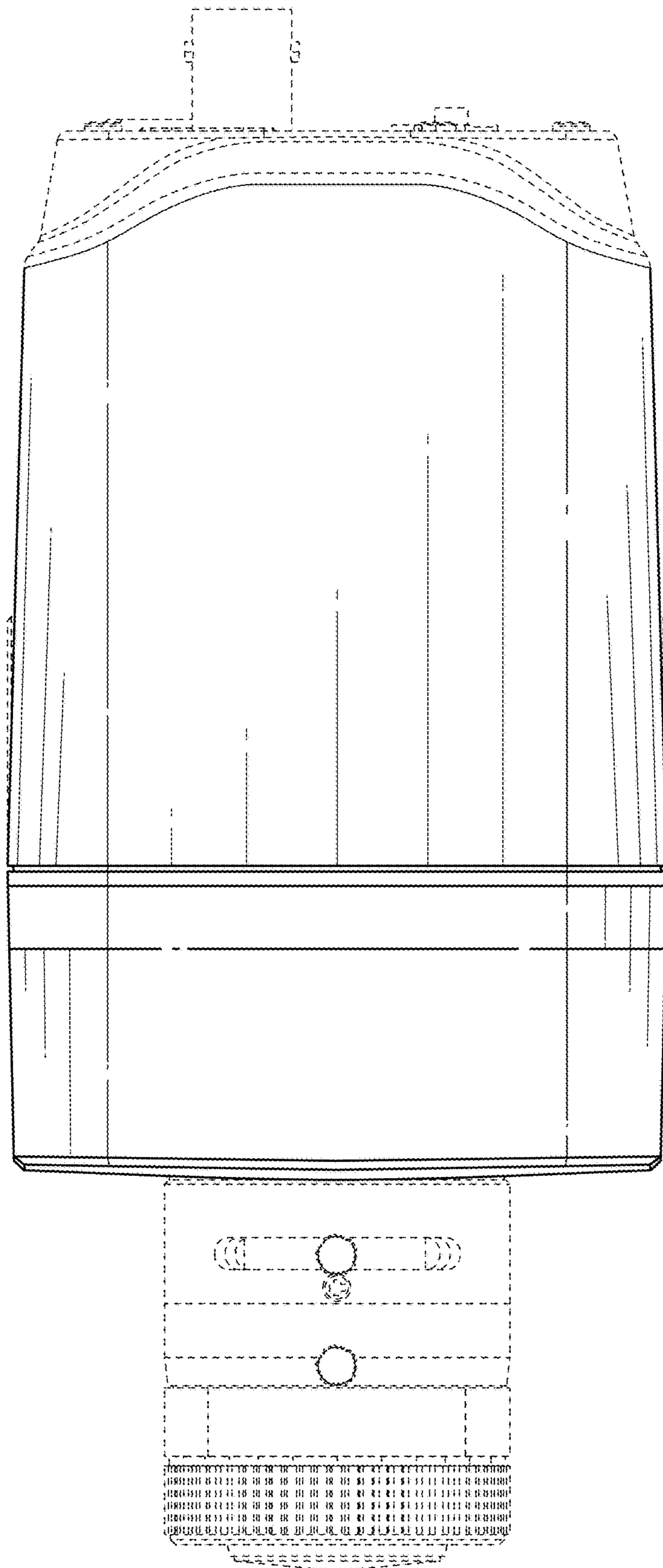


FIG. 6

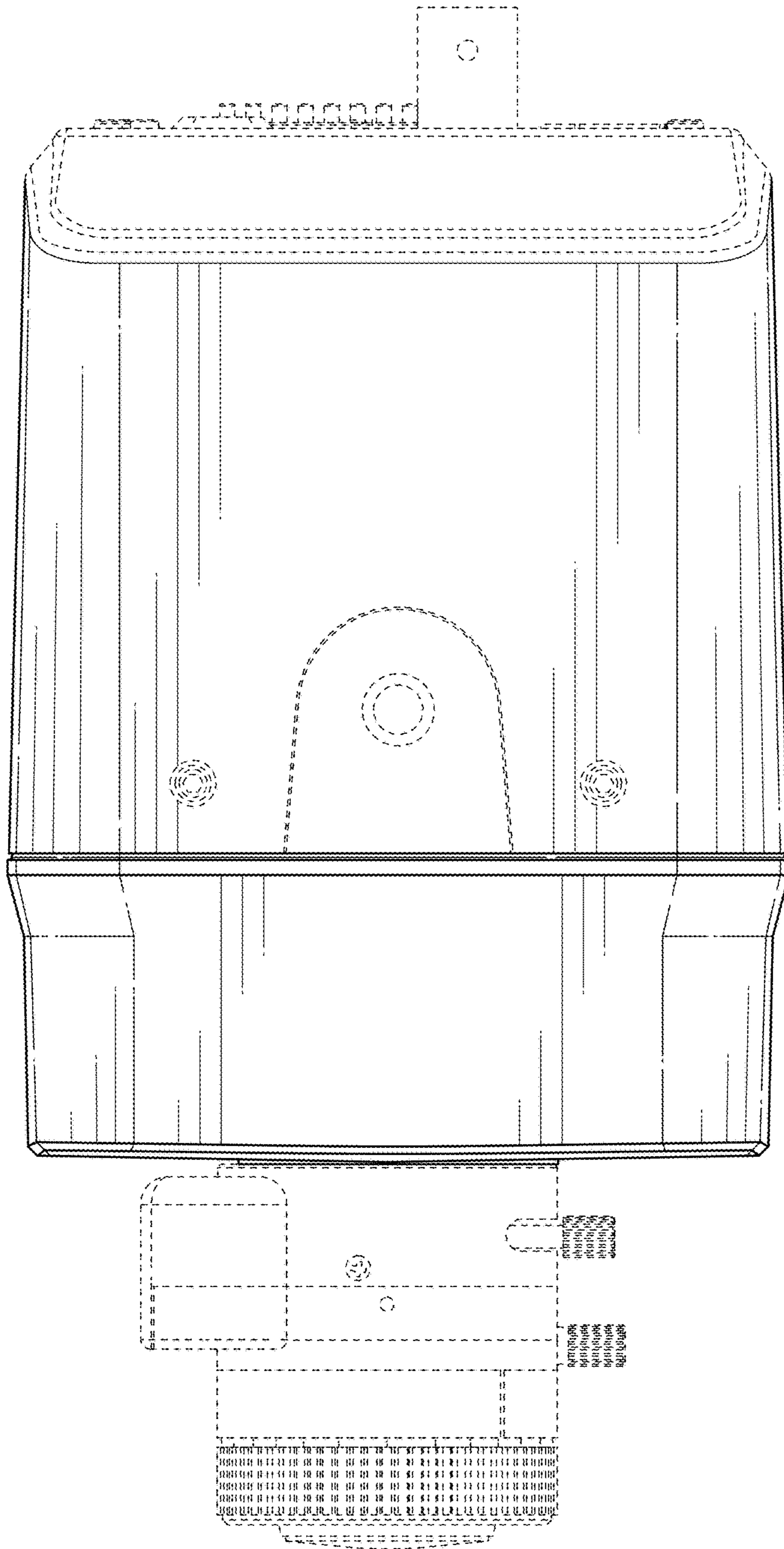


FIG. 7



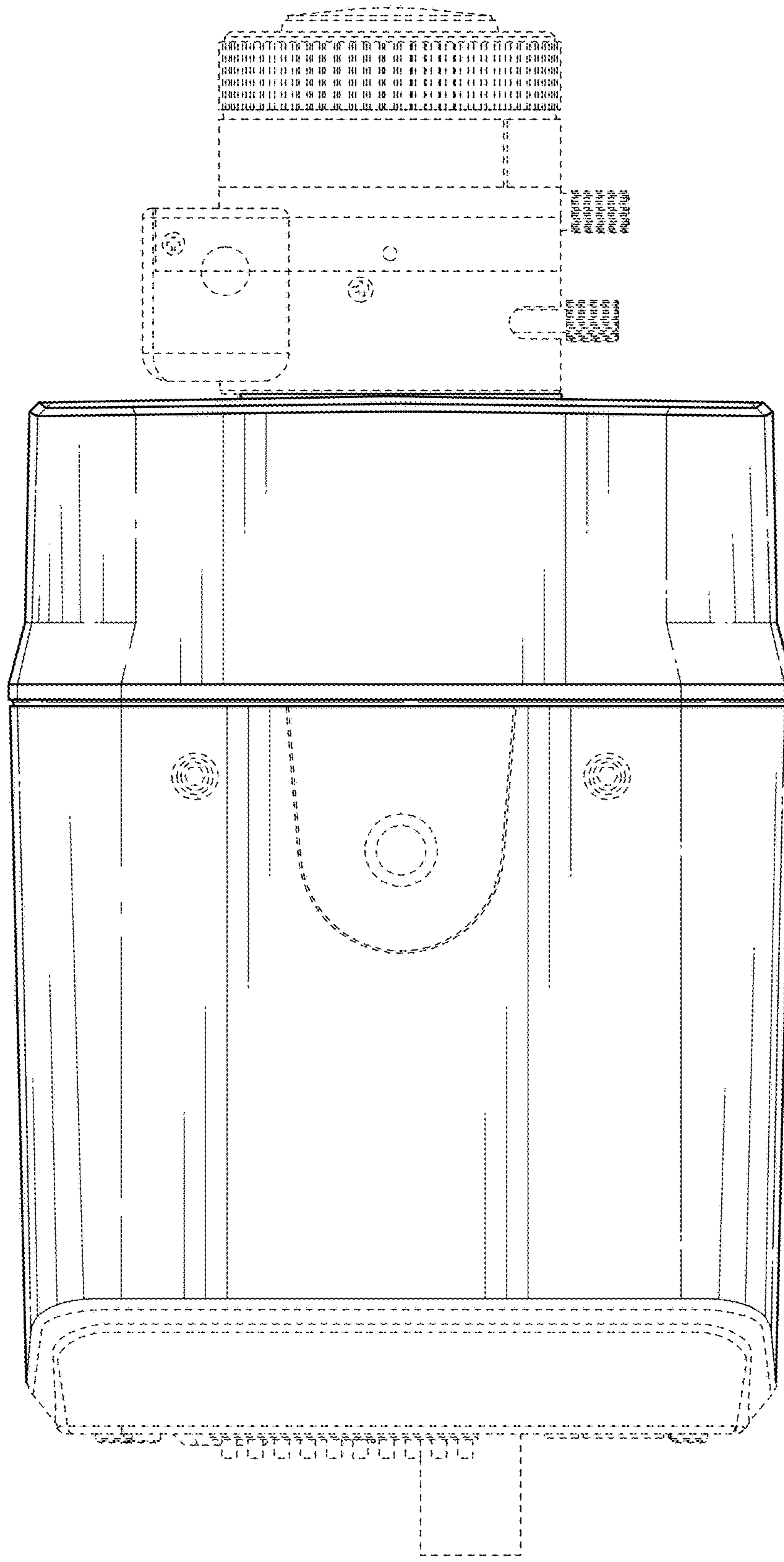


FIG. 8