



US00D823917S

(12) **United States Design Patent**
Bernazeau et al.

(10) **Patent No.:** **US D823,917 S**
(45) **Date of Patent:** **** Jul. 24, 2018**

(54) **ROBOT**
(71) Applicant: **Softbank Robotics Europe**, Paris (FR)
(72) Inventors: **Alexis Bernazeau**, Paris (FR); **Robert Hong**, Paris (FR)

D685,438 S * 7/2013 Fan D15/199
D710,953 S * 8/2014 Katsutani D15/199
D719,620 S * 12/2014 Clerc B25J 5/007
D15/199
D719,621 S * 12/2014 Song D21/578
D725,166 S * 3/2015 Paik D15/199

(Continued)

(**) Term: **15 Years**
(21) Appl. No.: **29/572,487**
(22) Filed: **Jul. 28, 2016**

FOREIGN PATENT DOCUMENTS

JP 2005103678 A * 4/2005 G06N 3/008
JP 2012138086 A * 7/2012 B25J 5/007

(Continued)

(30) **Foreign Application Priority Data**

Jan. 29, 2016 (EM) 002963637-0004

(51) **LOC (11) Cl.** **15-99**
(52) **U.S. Cl.**
USPC **D15/199**; D21/578

(58) **Field of Classification Search**
USPC D15/126, 138, 199; D21/345, 350, 360,
D21/361, 362, 383, 384, 398, 399, 414,
D21/415, 418, 428, 455, 467, 503, 504,
D21/528, 529, 558, 578, 579, 594, 612,
D21/621, 627, 658; D24/138, 155, 185,
D24/198, 205, 208, 211, 231, 232;
D29/124, 129; D34/35; D99/1, 17, 30,
D99/34, 37, 38, 99
CPC G06N 3/00; G06N 3/004; G06N 3/006;
G06N 3/008; G06N 5/00; A63H 3/00;
G05B 19/00; B25J 9/00; G06G 7/60
See application file for complete search history.

OTHER PUBLICATIONS

Earth to Echo-Building Echo Interview, posted on youtube.com, published Jun. 16, 2014, no production date given, [online], [site visited Jul. 10, 2017], Available from Internet, <URL: https://www.youtube.com/watch?v=KvzBGRnphzs>.*

(Continued)

Primary Examiner — Melanie H Tung
Assistant Examiner — Fritzgerald L Butac
(74) *Attorney, Agent, or Firm* — Scarinci Hollenbeck LLC

(57) **CLAIM**

The ornamental design for a robot, as shown and described.

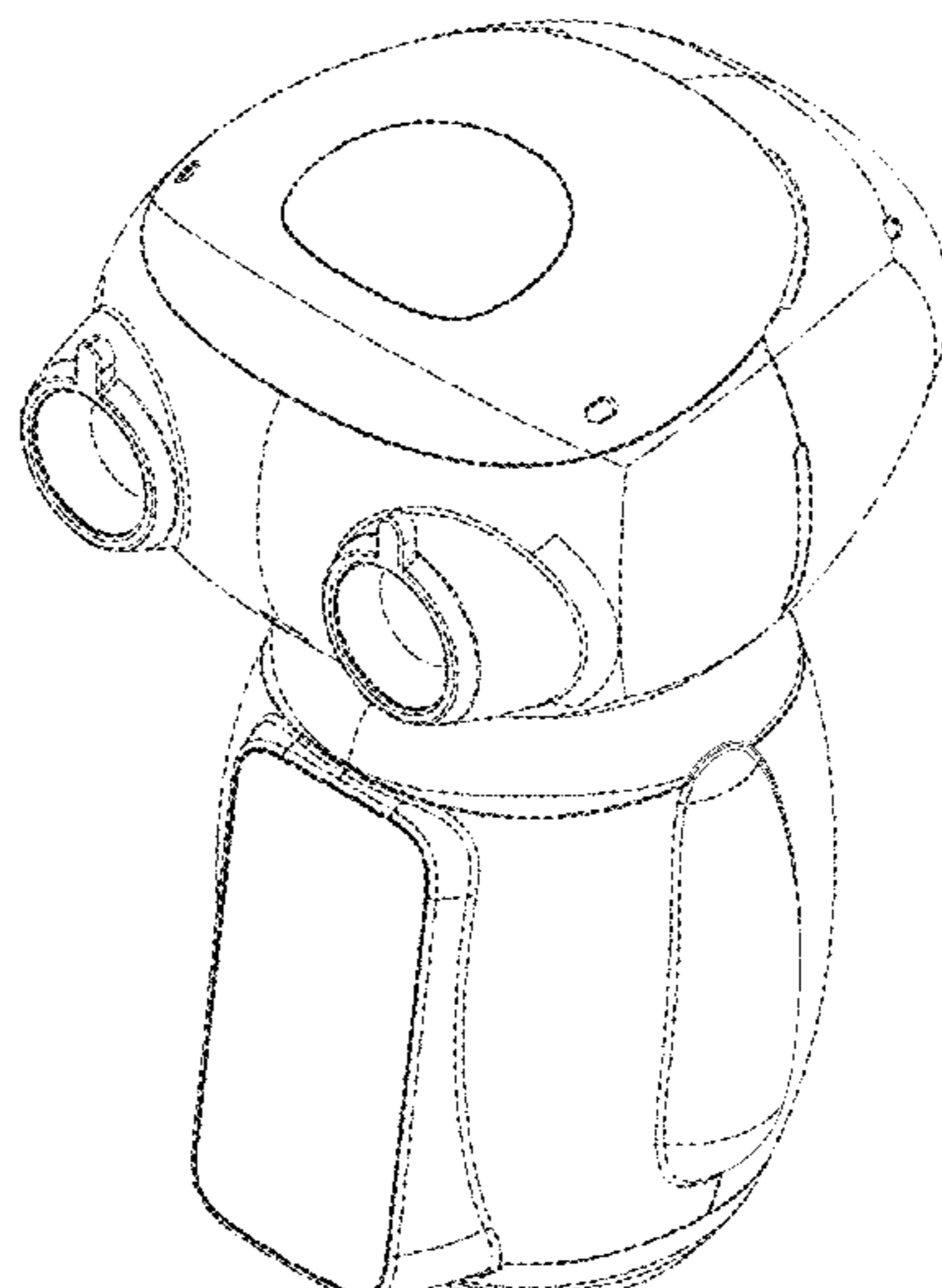
DESCRIPTION

FIG. 1 is a perspective view;
FIG. 2 is a front view;
FIG. 3 is a back view;
FIG. 4 is a left side view;
FIG. 5 is a right side view;
FIG. 6 is top view; and,
FIG. 7 is a bottom view.
The “dash-dot” broken line seen in FIG. 7 defines the bounds of the claimed design and forms no part thereof.

1 Claim, 7 Drawing Sheets

(56) **References Cited**
U.S. PATENT DOCUMENTS

D450,788 S * 11/2001 Kawasaki D21/578
D563,443 S * 3/2008 Ahn D15/199
D579,035 S * 10/2008 Kim B25J 11/008
D15/199
D635,603 S * 4/2011 Paz Rodriguez D15/199
D678,326 S * 3/2013 Lee D14/494
D682,952 S * 5/2013 Vaslin D15/199



(56)

References Cited

U.S. PATENT DOCUMENTS

D725,167 S * 3/2015 Song D15/199
 D726,836 S * 4/2015 Song D15/199
 D746,886 S * 1/2016 Breazeal D15/199
 D761,894 S * 7/2016 Ho D15/199
 D761,917 S * 7/2016 Kjellman D21/386
 D765,180 S * 8/2016 Huang D20/5
 D780,855 S * 3/2017 Lambert D21/621
 D781,945 S * 3/2017 Uno D15/199
 2005/0096790 A1 * 5/2005 Tamura G06N 3/008
 700/245
 2012/0290111 A1 * 11/2012 Badavne A63H 3/28
 700/94
 2017/0144875 A1 * 5/2017 Clerc B66F 15/00

FOREIGN PATENT DOCUMENTS

JP 2013059856 A * 4/2013 B25J 5/007
 JP 2014146348 A * 8/2014 B25J 5/007
 JP 2015038737 A * 2/2015 B25J 5/007

JP 2016103277 A * 6/2016 B25J 5/007
 JP 2016120591 A * 7/2016 B25J 5/007
 WO WO 2007041295 A2 * 4/2007 B25J 5/007

OTHER PUBLICATIONS

Home robot Kuri is like an Amazon Echo designed by Pixar, posted on techcrunch.com, posted Jan. 3, 2017, no production date given, [online], [site visited Jul. 10, 2017], Available from Internet, <URL: <https://techcrunch.com/2017/01/03/home-robot-kuri-is-like-an-amazon-echo-designed-by-pixar/>>.*

The Crafty Robot is Priced at Just 5 and Perfect for Aspiring Engineers, posted on trendhunter.com, posted Sep. 29, 2015, no production date given, [online], [site visited Jul. 10, 2017], Available from Internet, <URL: <https://www.trendhunter.com/trends/crafty-robot>>.*

LG Hub Robot Packs Alexa Into a Cutesy Package, posted on ce-pro-eu, posted Jan. 6, 2017, no production date given, [online], [site visited Jul. 10, 2017], Available from Internet, <URL: <https://ce-pro.eu/2017/01/lg-hub-robot-packs-alexa-cutesy-package/>>.*

* cited by examiner

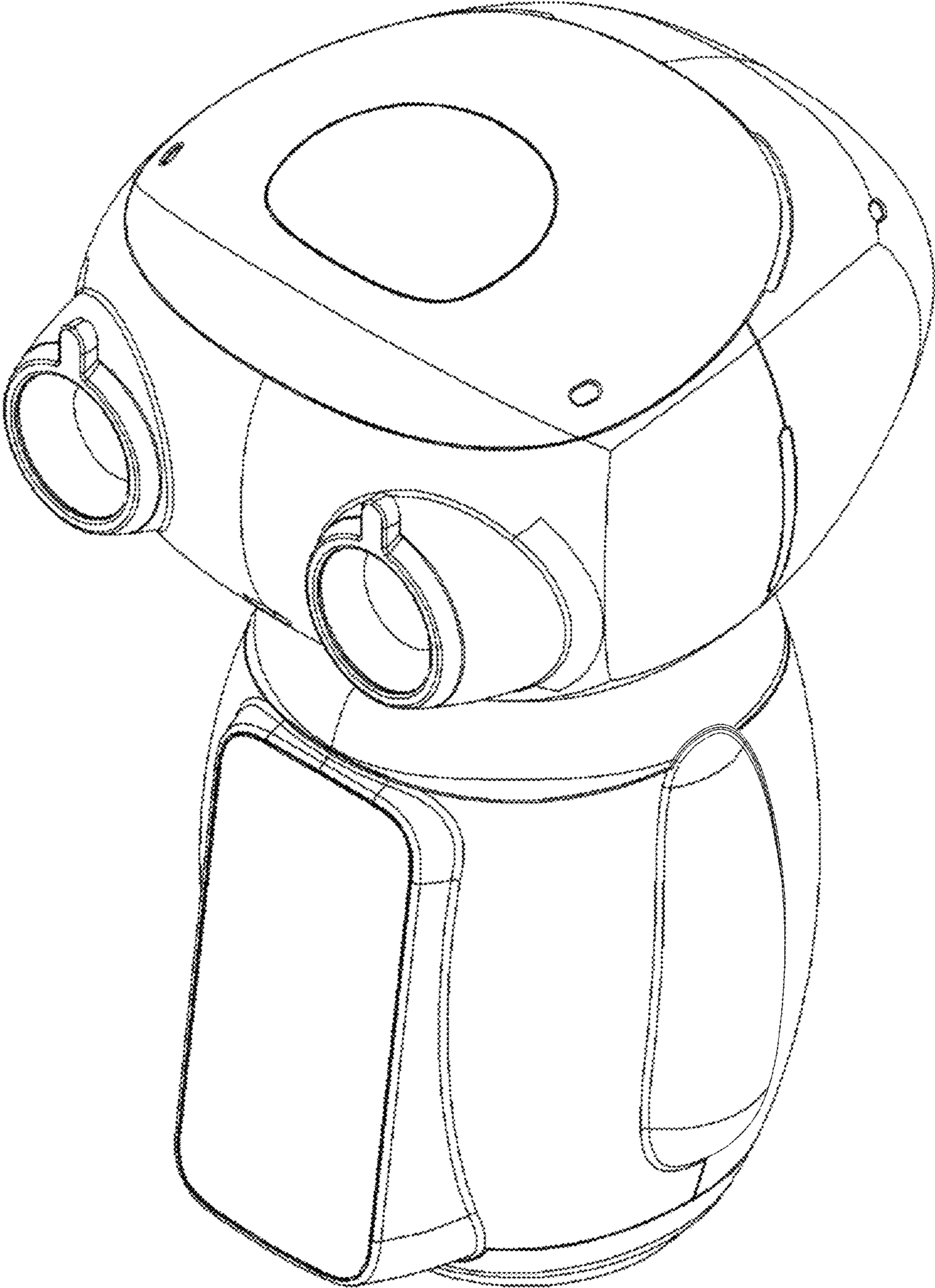


FIG. 1

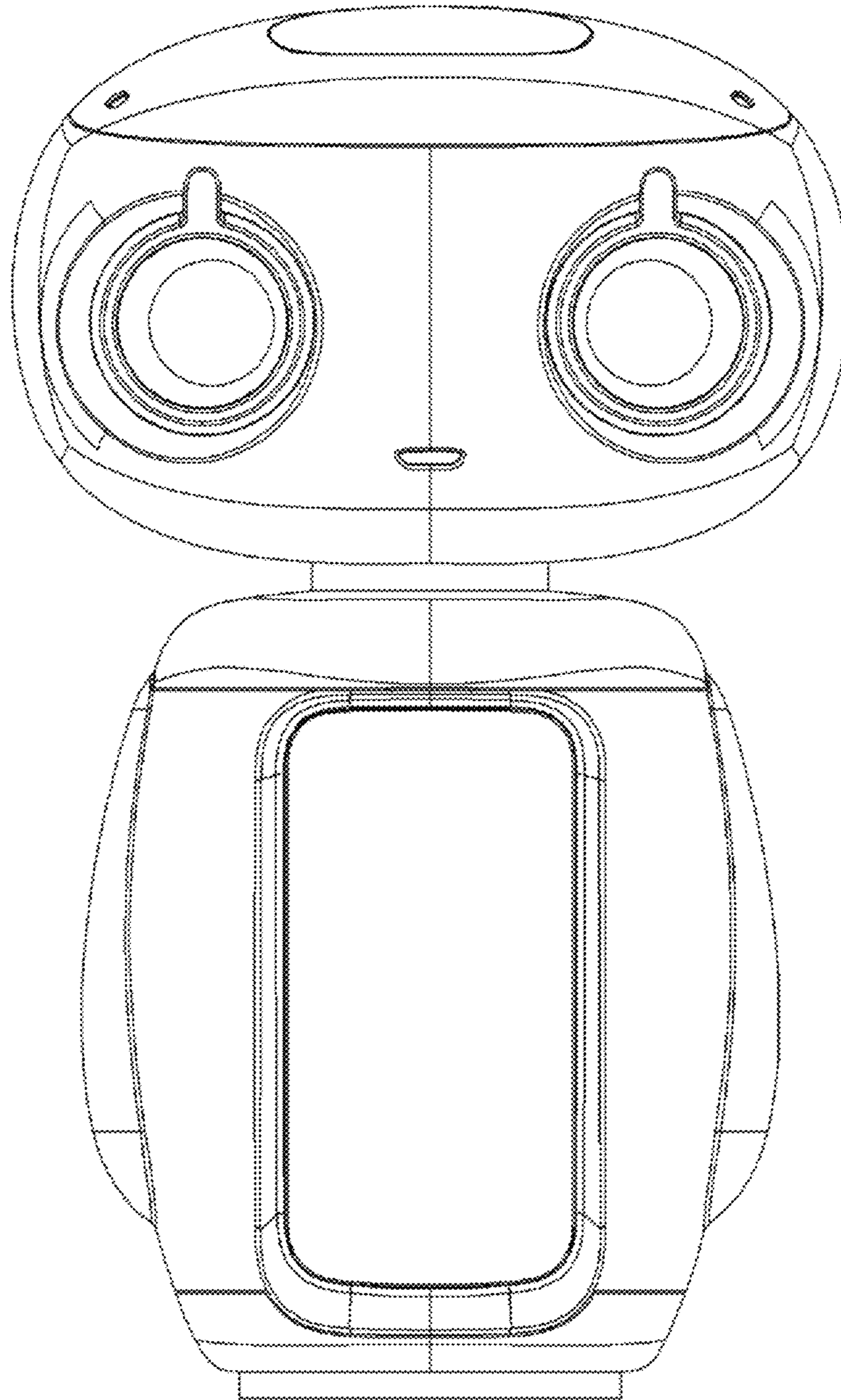


FIG. 2

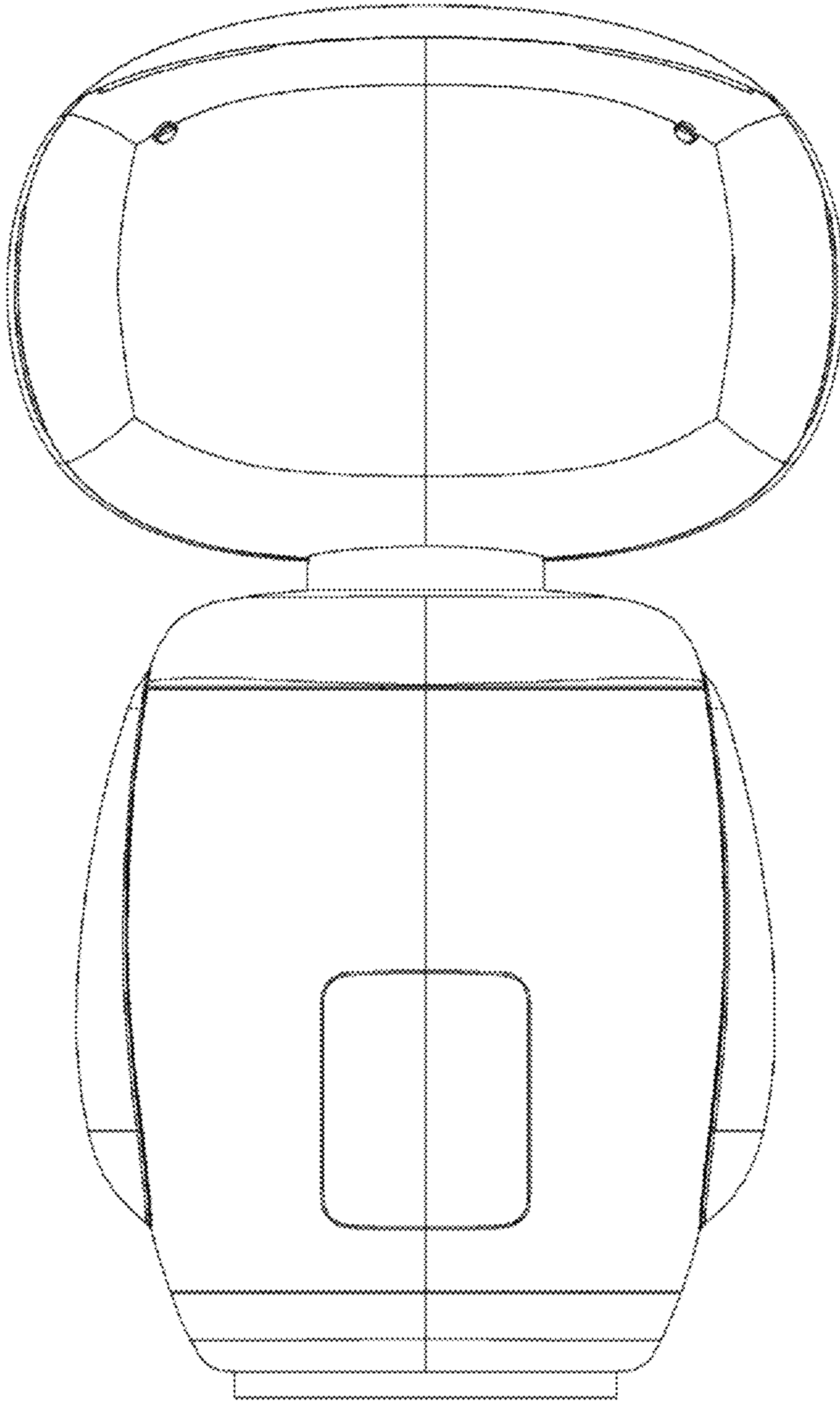


FIG. 3

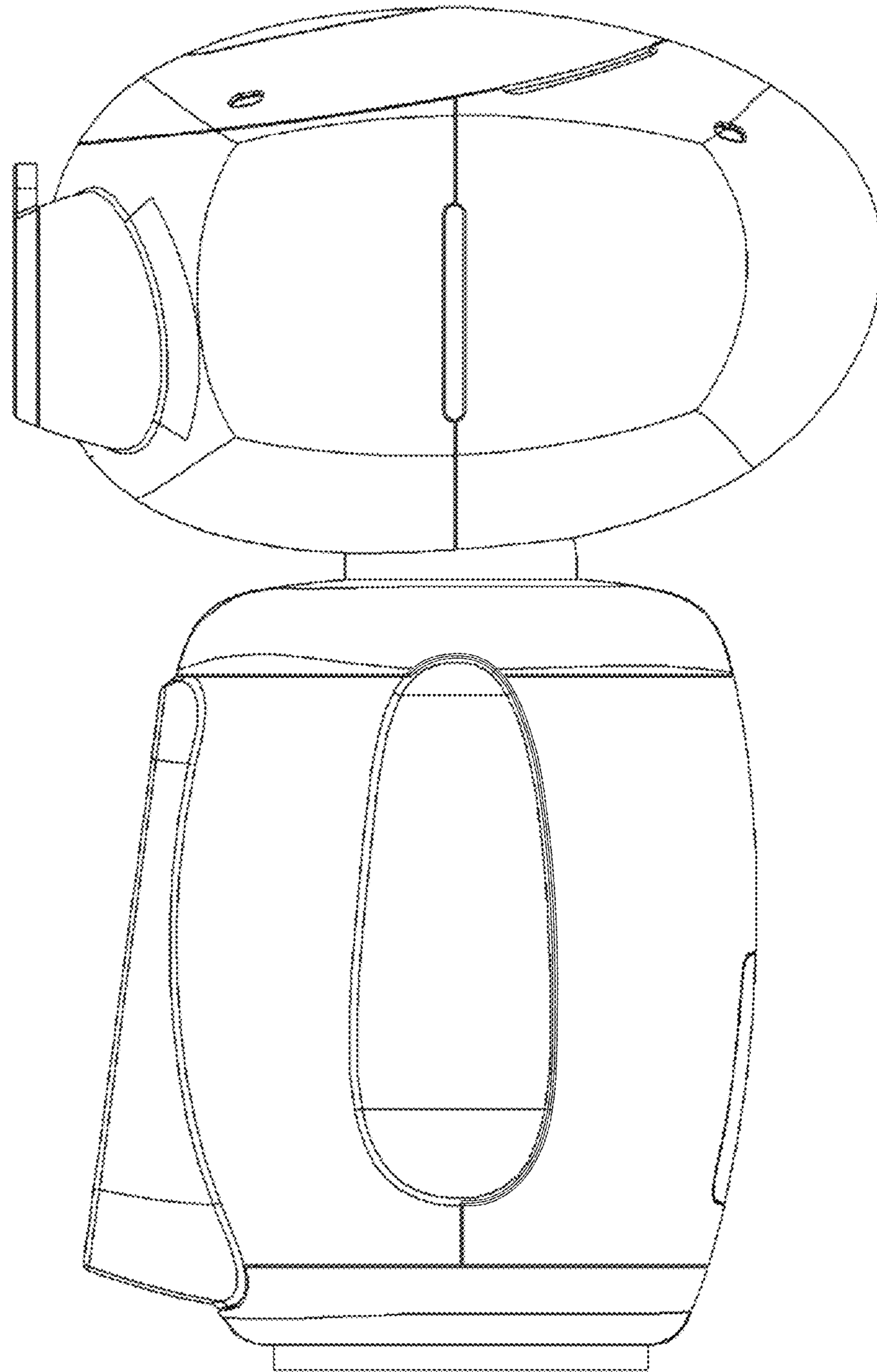


FIG. 4

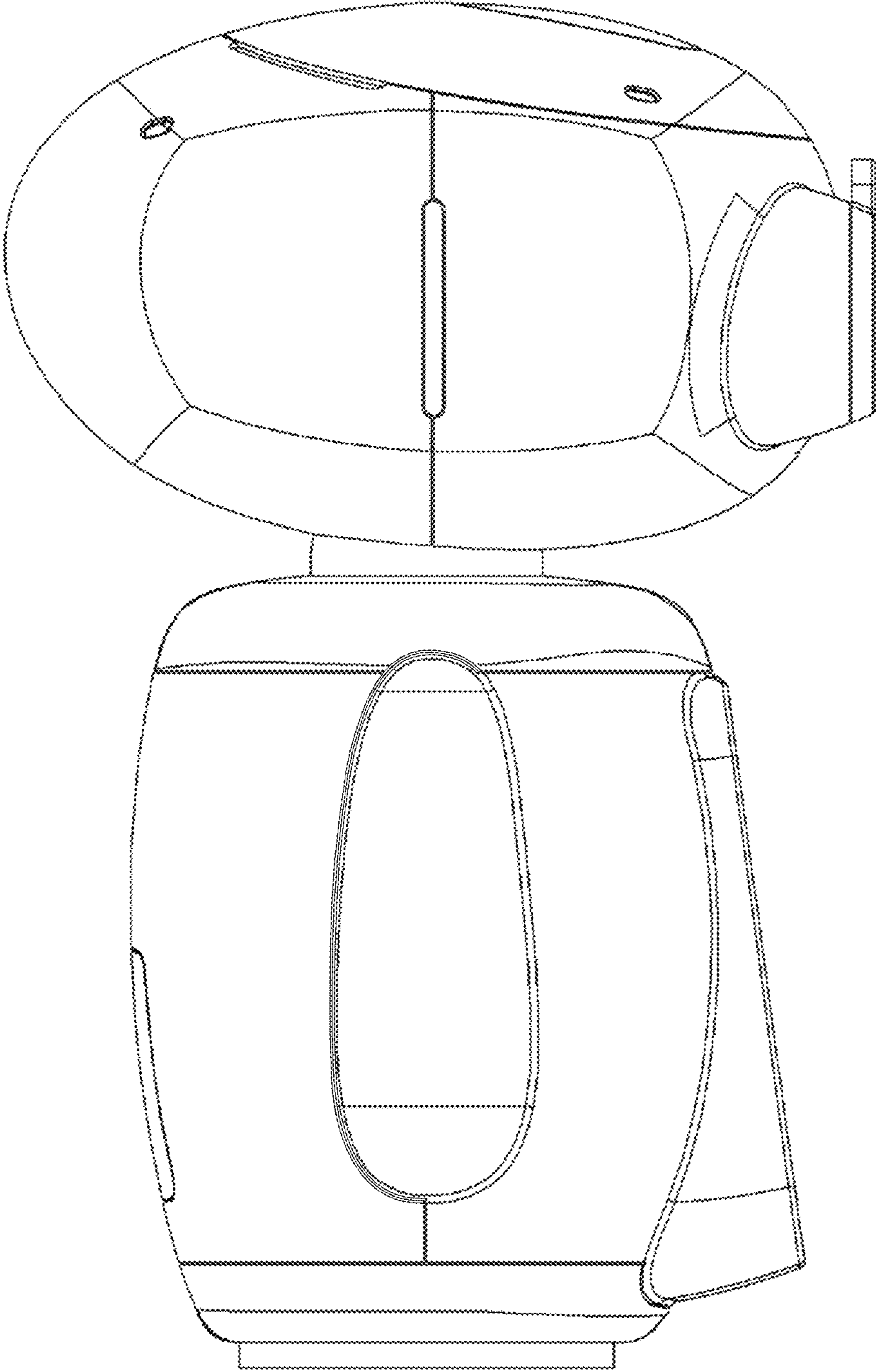


FIG. 5

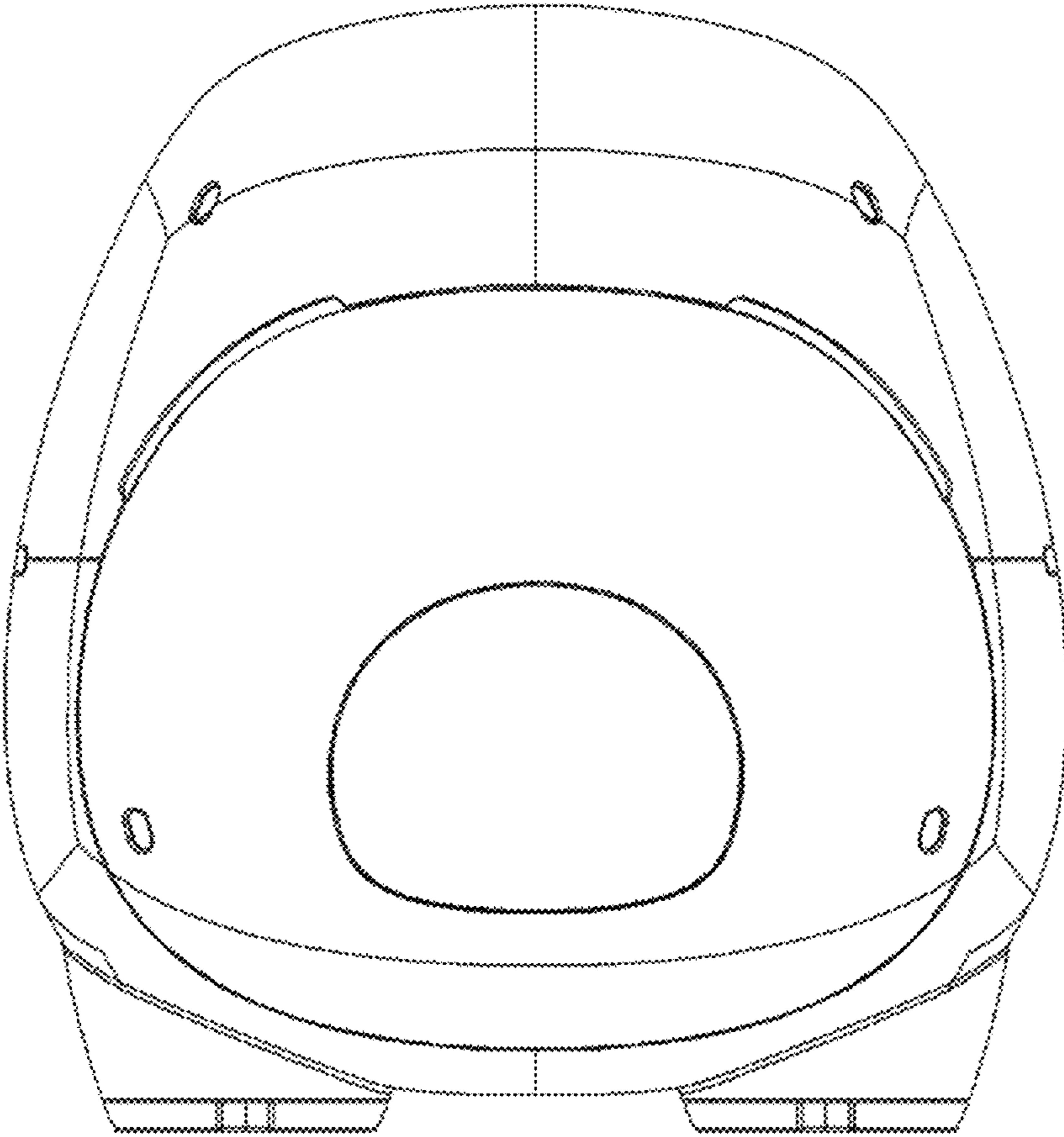


FIG. 6

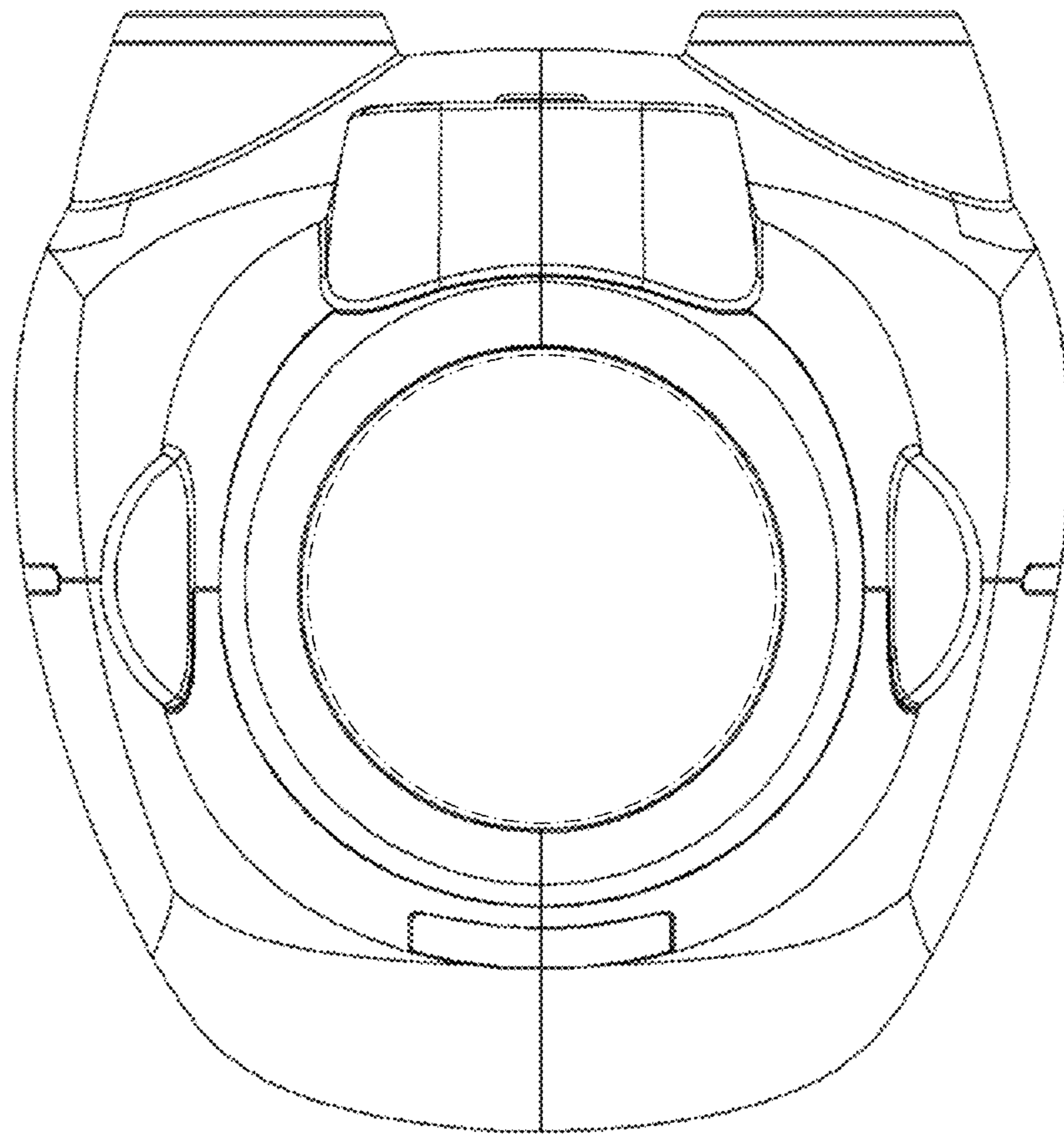


FIG. 7