



US00D823916S

(12) **United States Design Patent** (10) **Patent No.:** **US D823,916 S**  
**Lee et al.** (45) **Date of Patent:** **\*\* Jul. 24, 2018**

(54) **OIL INJECTION APPARATUS**

(71) Applicant: **KLT CO., LTD.**, Paju-si, Gyeonggi-do (KR)

(72) Inventors: **Seung Heon Lee**, Suwon-si (KR); **Deok Beum Lee**, Seoul (KR); **Sung Hyun Cho**, Goyang-si (KR)

(73) Assignee: **KLT Co., Ltd.** (KR)

(\*\*) Term: **15 Years**

(21) Appl. No.: **29/605,028**

(22) Filed: **May 23, 2017**

(51) **LOC (11) Cl.** ..... **15-09**

(52) **U.S. Cl.**  
 USPC ..... **D15/150**

(58) **Field of Classification Search**  
 USPC ..... D15/150, 151, 152  
 CPC ..... B01F 15/026; B01F 15/0243; B01F 15/0479; B01F 15/00123; B01F 15/00142; B29B 7/94; F16N 11/00; F16N 2210/12

See application file for complete search history.

D752,123 S \* 3/2016 Liao ..... D15/150  
 9,815,038 B2 \* 11/2017 Leach ..... B01F 15/026  
 2003/0221912 A1 \* 12/2003 Pan ..... F16N 11/00  
 184/109  
 2010/0185322 A1 \* 7/2010 Bylsma ..... A61M 5/1413  
 700/239  
 2010/0213217 A1 \* 8/2010 Strong ..... B05C 17/015  
 222/327  
 2010/0300181 A1 \* 12/2010 Zech ..... B01F 13/1058  
 73/54.01  
 2011/0158738 A1 \* 6/2011 Bainbridge ..... B05C 17/00516  
 401/206  
 2012/0171049 A1 \* 7/2012 Paluncic ..... F01M 5/001  
 417/32  
 2013/0045523 A1 \* 2/2013 Leach ..... B01F 13/0023  
 435/214  
 2013/0140044 A1 \* 6/2013 Carrerot ..... A62C 13/22  
 169/7  
 2014/0190772 A1 \* 7/2014 Noordover ..... F16N 11/04  
 184/14

(Continued)

*Primary Examiner* — Patricia A Palasik  
 (74) *Attorney, Agent, or Firm* — Park & Associates IP Law, P.C.

(57) **CLAIM**

The ornamental design for an oil injection apparatus, as shown and described.

(56) **References Cited**

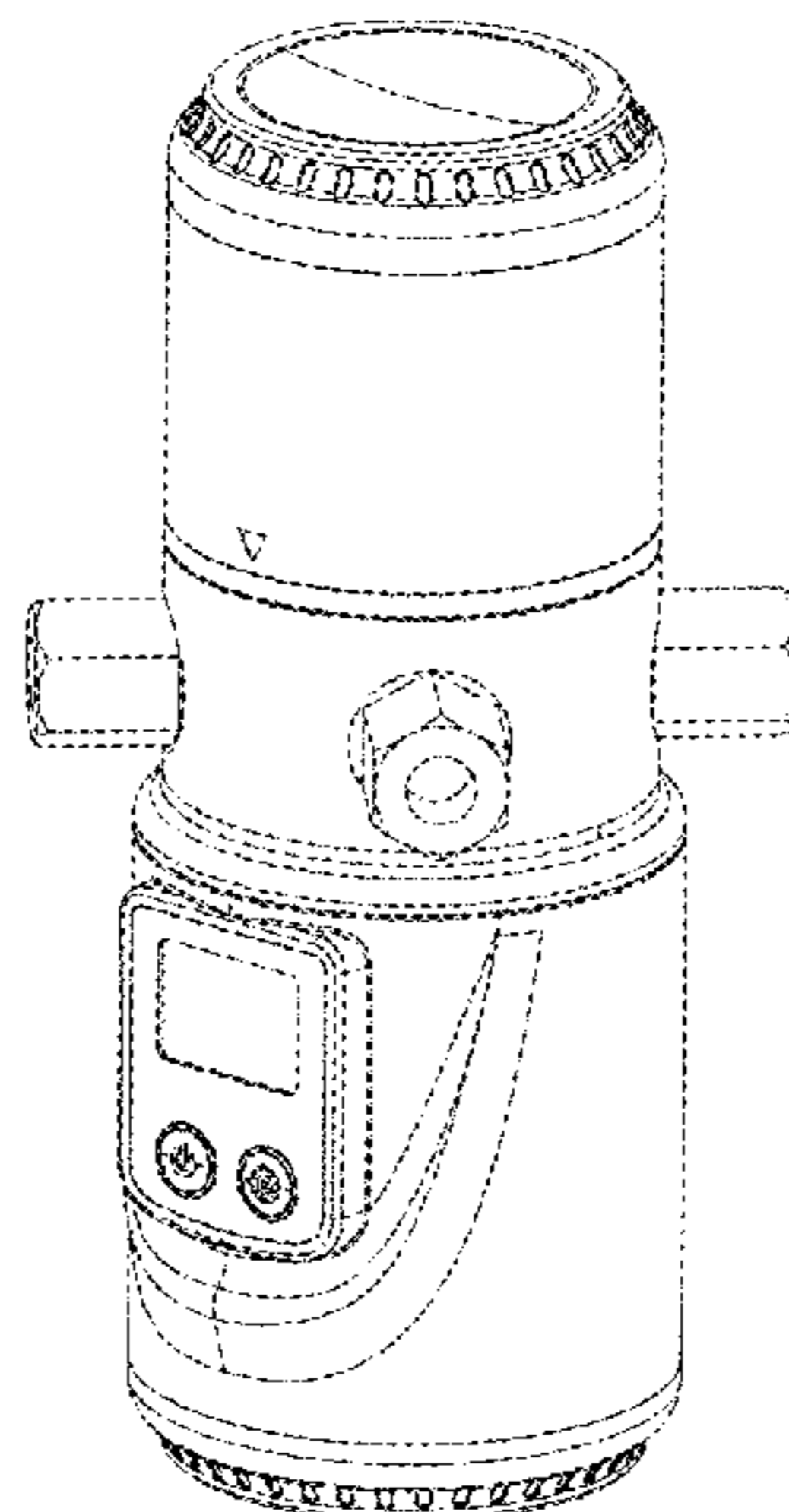
U.S. PATENT DOCUMENTS

982,661 A \* 1/1911 Dickens ..... B65D 83/0005  
 184/105.2  
 1,788,288 A \* 1/1931 Frey ..... F02M 57/02  
 123/457  
 3,231,149 A \* 1/1966 Yuza ..... A23G 3/28  
 137/853  
 4,567,784 A \* 2/1986 Hambric ..... F16H 1/22  
 184/13.1  
 5,676,461 A \* 10/1997 Edwards ..... B01F 15/00142  
 366/152.2  
 5,706,873 A \* 1/1998 Benoit ..... F16N 31/002  
 137/513.7  
 D396,868 S \* 8/1998 Pingel ..... D15/151  
 D429,264 S \* 8/2000 Lindstrand ..... D15/150

**DESCRIPTION**

FIG. 1 is a perspective view of an oil injection apparatus in accordance with the new design;  
 FIG. 2 is a front elevational view thereof;  
 FIG. 3 is a rear elevational view thereof;  
 FIG. 4 is a left side elevational view thereof;  
 FIG. 5 is a right side elevational view thereof;  
 FIG. 6 is a top plan view thereof; and,  
 FIG. 7 is a bottom plan view thereof.

**1 Claim, 6 Drawing Sheets**



(56)

**References Cited**

U.S. PATENT DOCUMENTS

2014/0367409 A1\* 12/2014 Digregorio ..... B65D 83/0005  
222/389  
2015/0128873 A1\* 5/2015 Prescott ..... A61M 5/2066  
119/665  
2015/0144655 A1\* 5/2015 Li ..... F04B 1/29  
222/32  
2015/0192246 A1\* 7/2015 Patel ..... F16N 11/00  
184/14  
2016/0074819 A1\* 3/2016 Boticki ..... D06F 39/02  
366/152.2  
2016/0310918 A1\* 10/2016 Baldus ..... B01F 13/045

\* cited by examiner

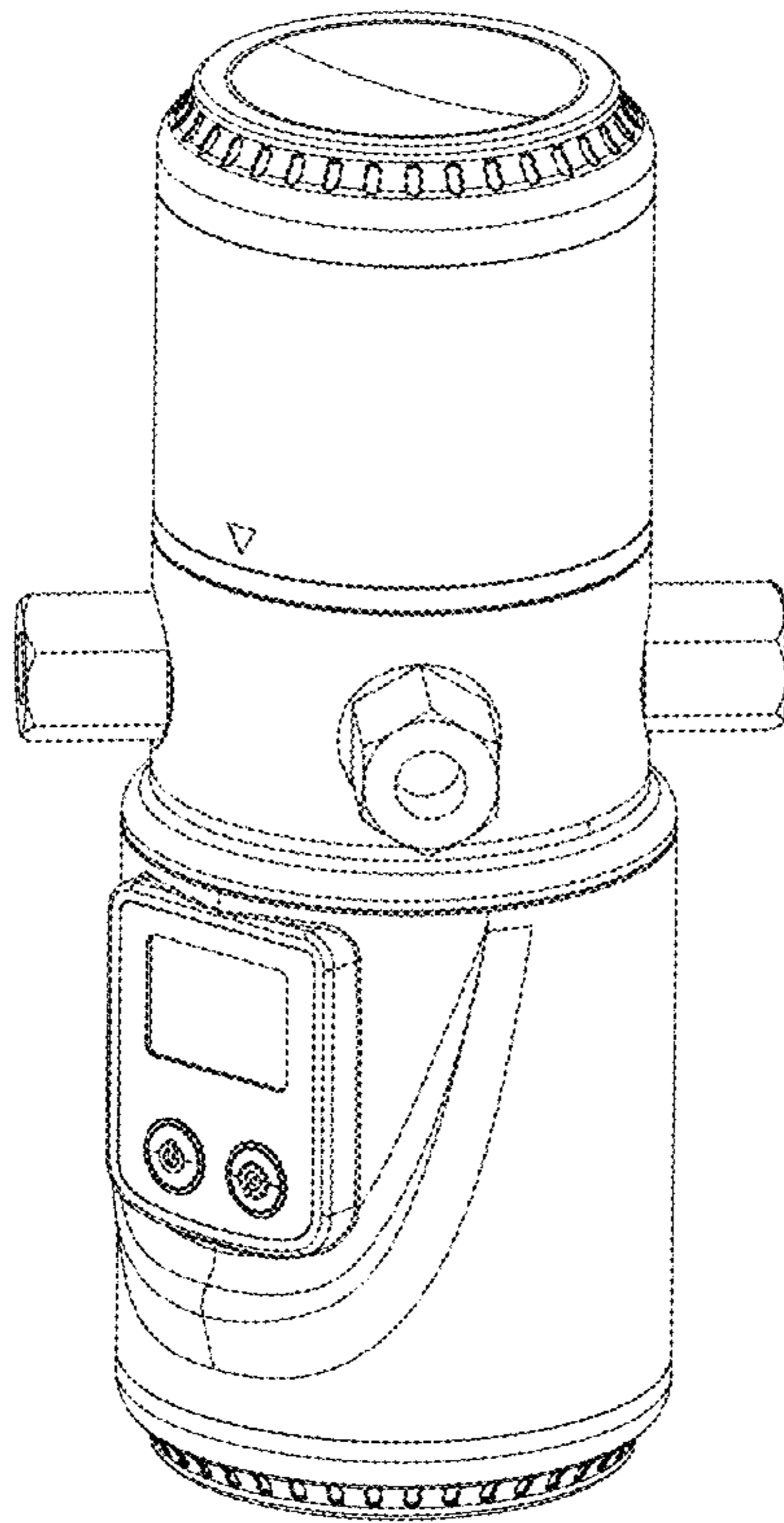


FIG. 1

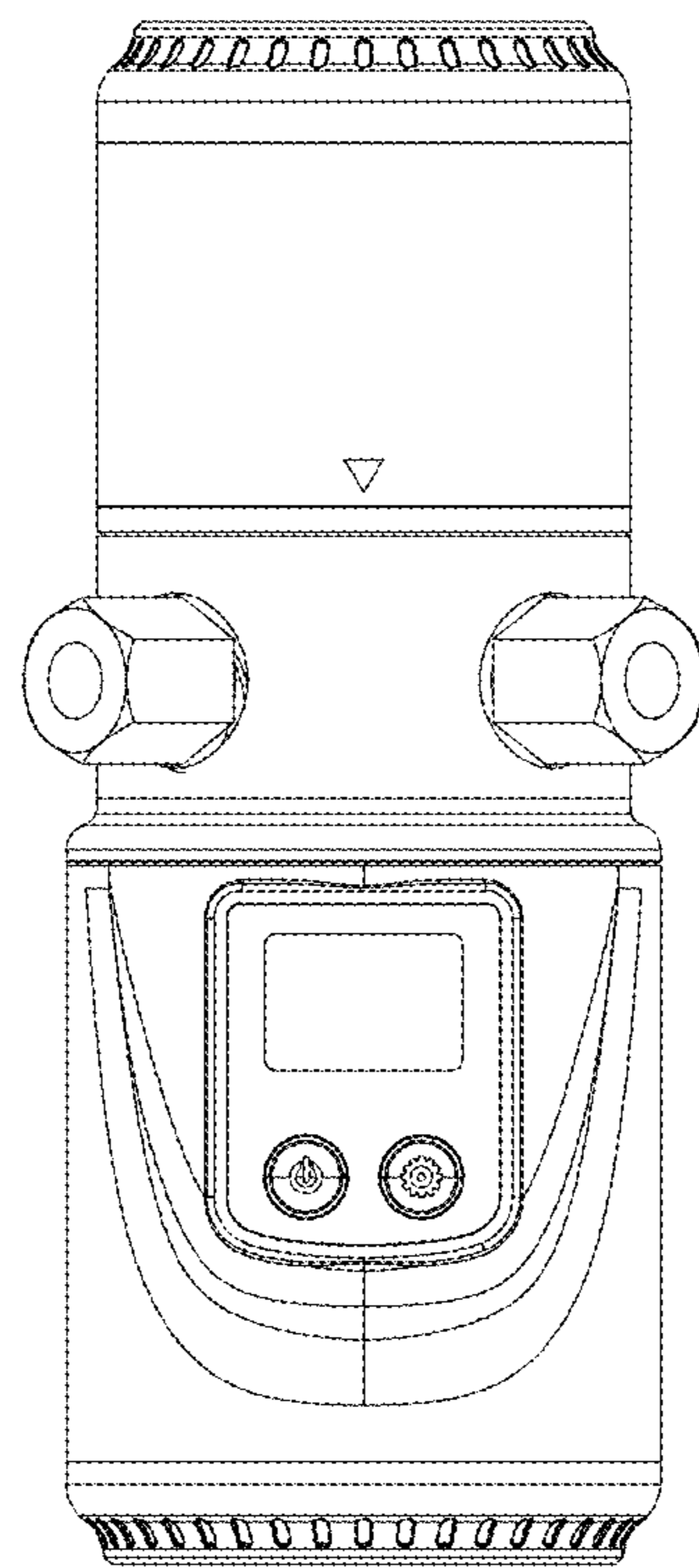


FIG. 2

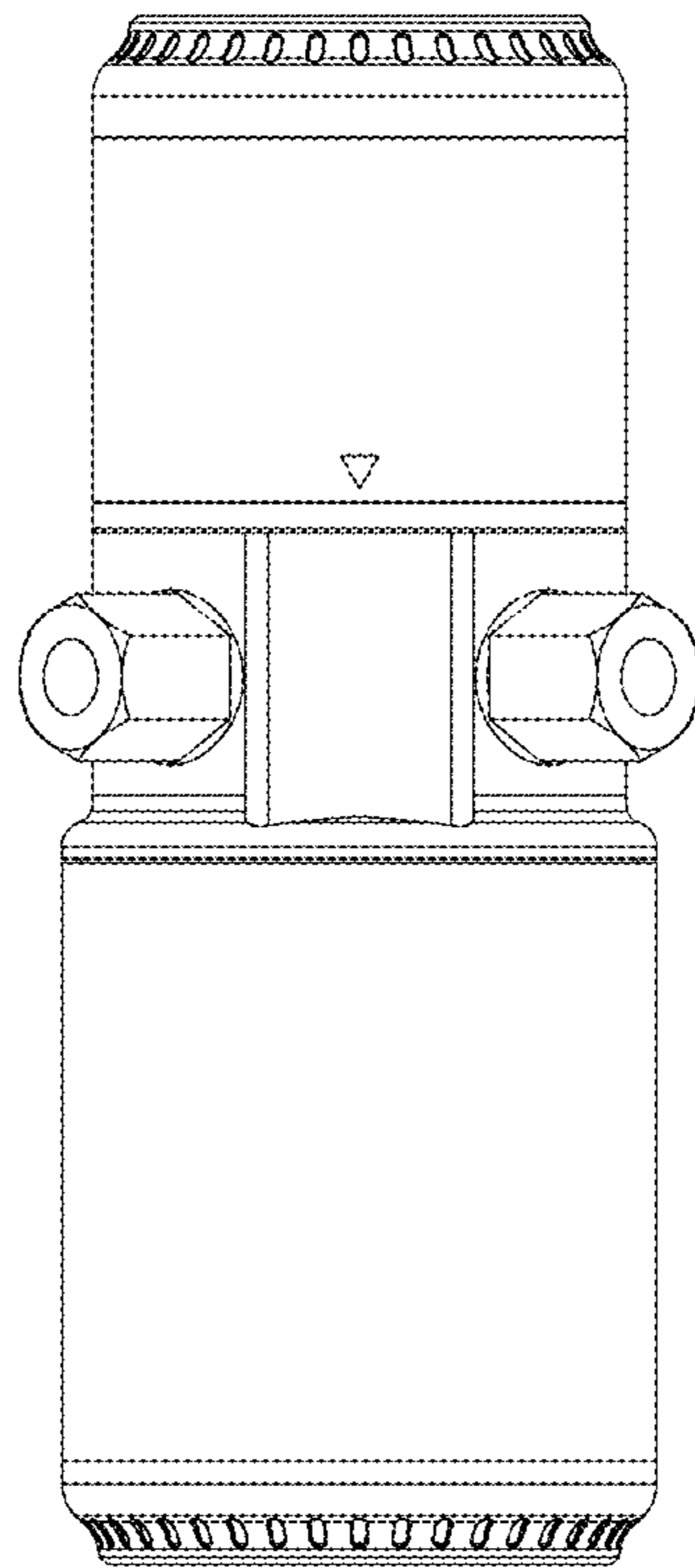


FIG. 3

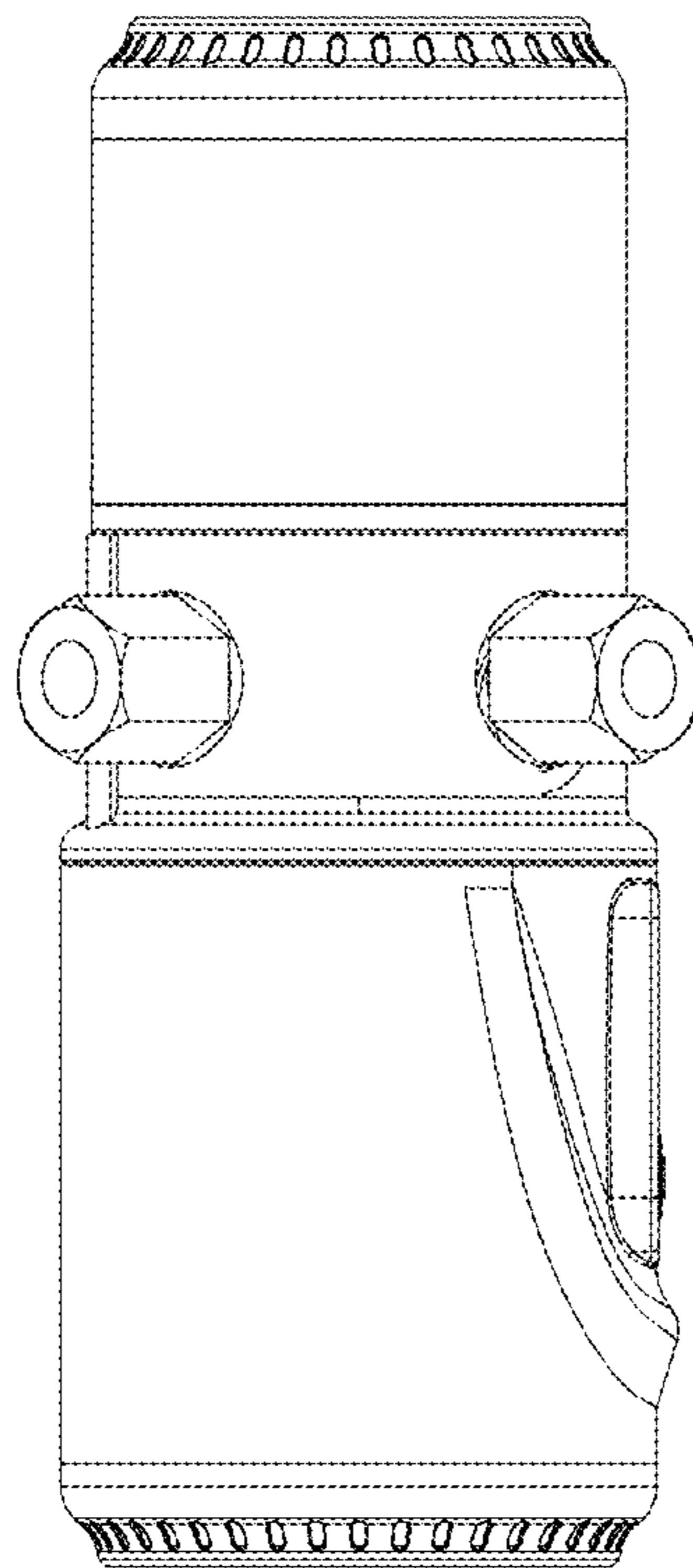


FIG. 4

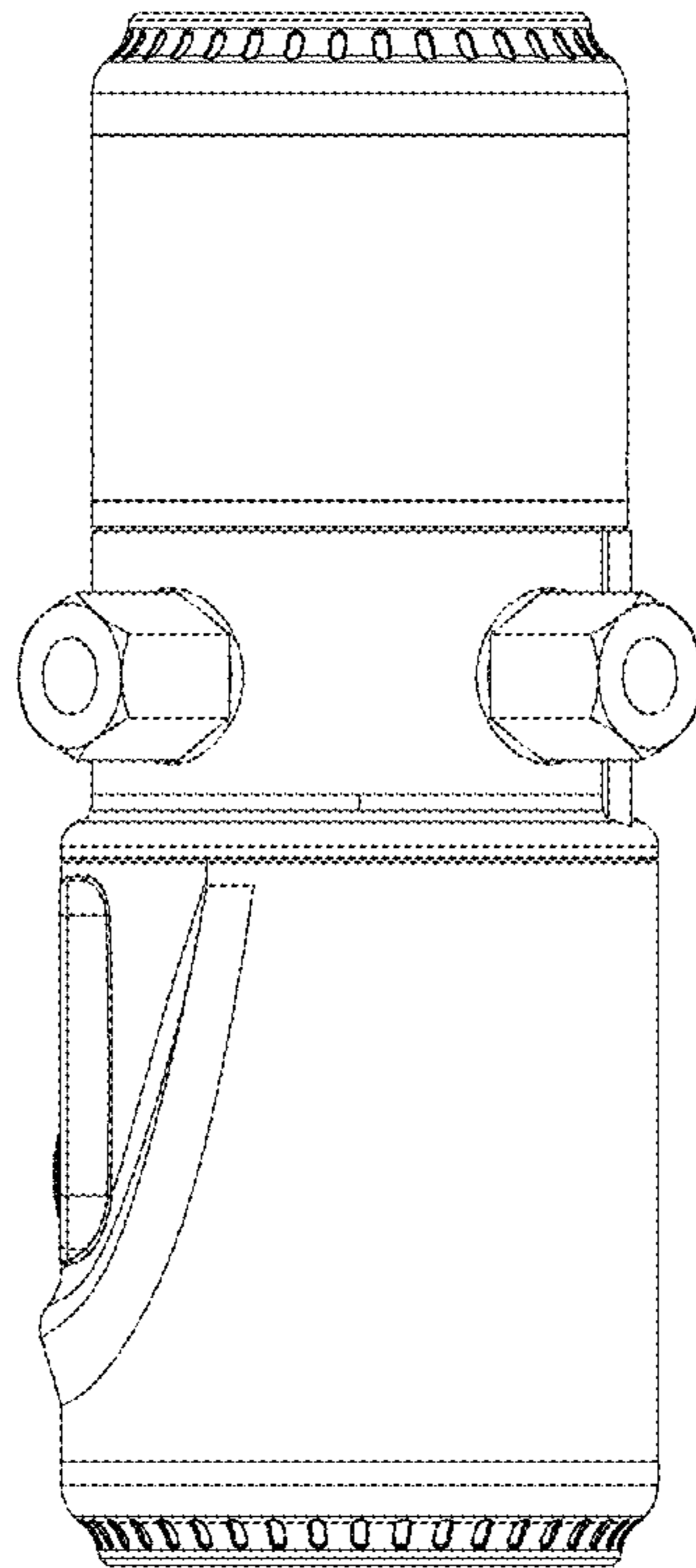


FIG. 5

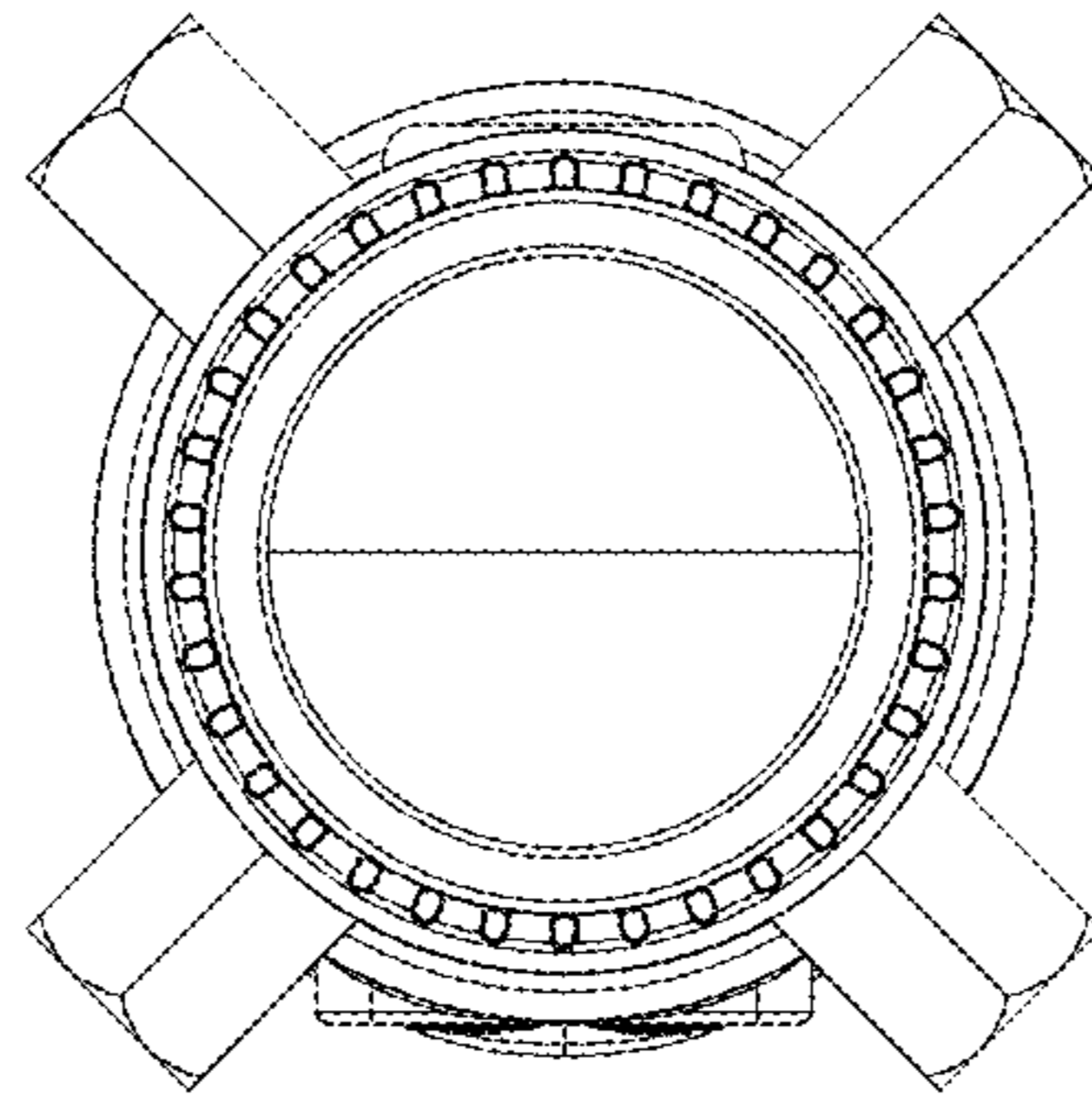


FIG. 6

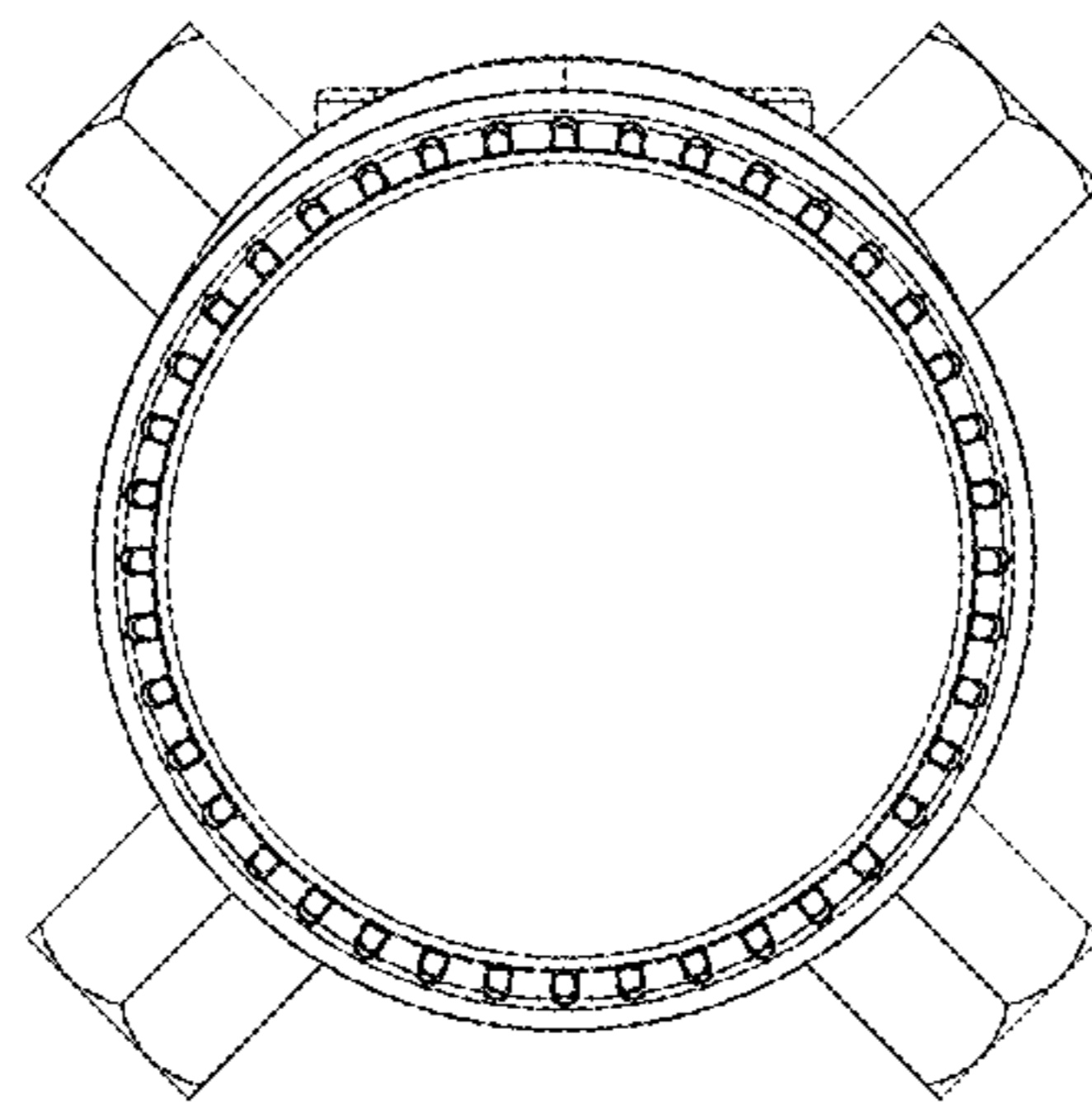


FIG. 7