

US00D823915S

(12) **United States Design Patent**
Tsujimoto

(10) **Patent No.:** **US D823,915 S**
(45) **Date of Patent:** **** Jul. 24, 2018**

(54) **VACUUM SEALING APPLIANCE**
(71) Applicant: **ASAHI INDUSTRY CO., LTD.**,
Nagoya-Shi, Aichi (JP)
(72) Inventor: **Masato Tsujimoto**, Nagoya (JP)
(**) Term: **15 Years**
(21) Appl. No.: **35/502,695**
(22) Filed: **Sep. 28, 2016**

D682,328 S * 5/2013 Day D15/146
D682,329 S * 5/2013 Day D15/146
D694,792 S * 12/2013 Day D15/146
D694,793 S * 12/2013 Cumming D15/146
D694,794 S * 12/2013 Cumming D15/146
D735,256 S * 7/2015 Nordwall D15/146
D773,543 S * 12/2016 Fan D15/146
D788,199 S * 5/2017 Owens D15/146
D789,431 S * 6/2017 Owens D15/146
2005/0022480 A1 * 2/2005 Brakes B65B 31/00
53/512
2005/0050855 A1 * 3/2005 Baptista B65B 31/046
53/434

(80) **Hague Agreement Data**
Int. Filing Date: **Sep. 28, 2016**
Int. Reg. No.: **DM/092734**
Int. Reg. Date: **Sep. 28, 2016**
Int. Reg. Pub. Date: **Mar. 31, 2017**
(51) **LOC (11) Cl.** **19-99**
(52) **U.S. Cl.**
USPC **D15/146**
CPC **B65B 31/046** (2013.01)
(58) **Field of Classification Search**
USPC D15/145, 146; D18/50; D7/609; 53/79,
53/434, 510, 512
CPC B65B 31/046
See application file for complete search history.

(56) **References Cited**
U.S. PATENT DOCUMENTS
D358,827 S * 5/1995 Fung D15/146
D536,355 S * 2/2007 Levsen D15/146
D663,331 S * 7/2012 Day D15/146

* cited by examiner

Primary Examiner — Richard E Chilcot

(57) **CLAIM**

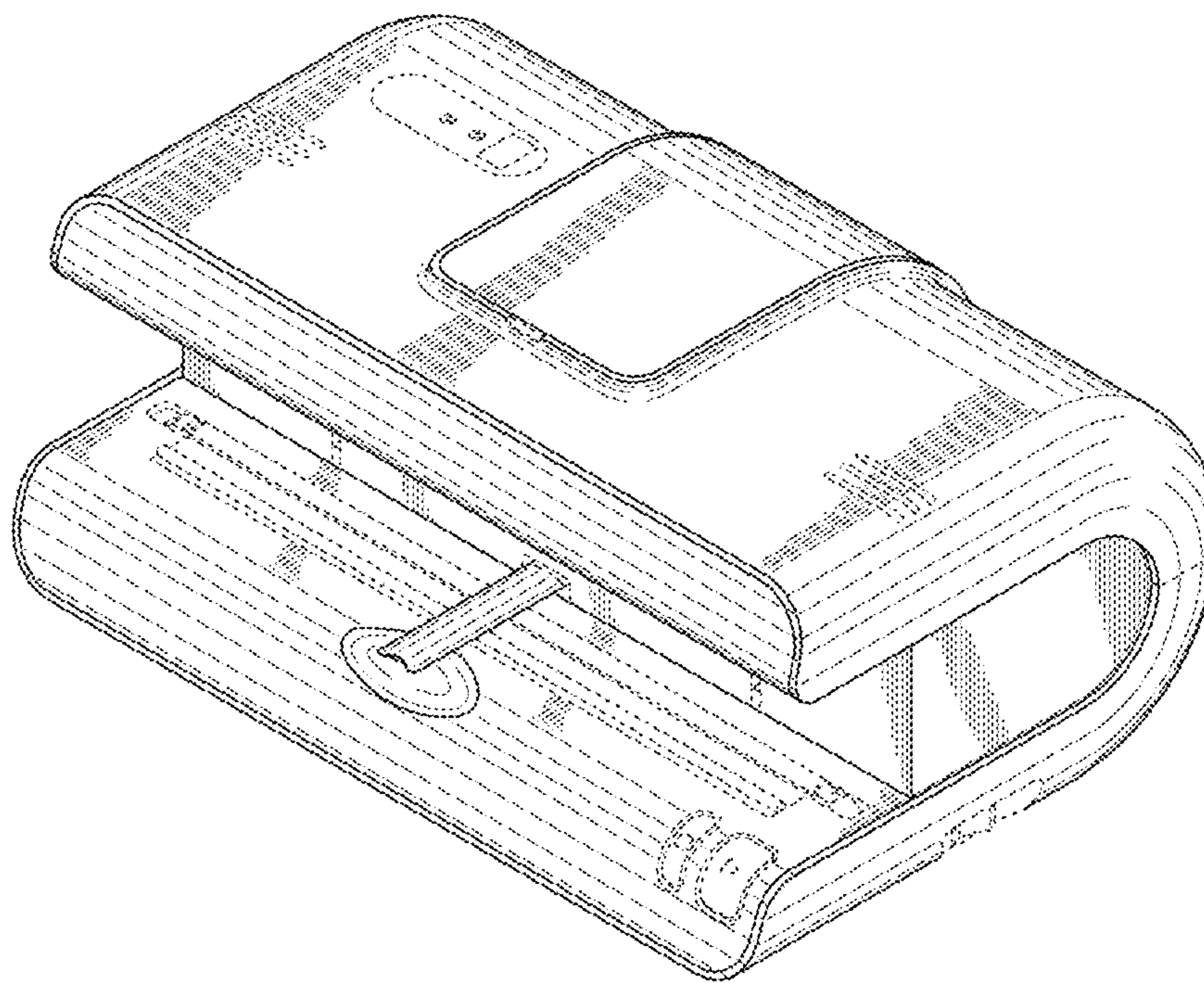
The ornamental design for a vacuum sealing appliance, as shown and described.

DESCRIPTION

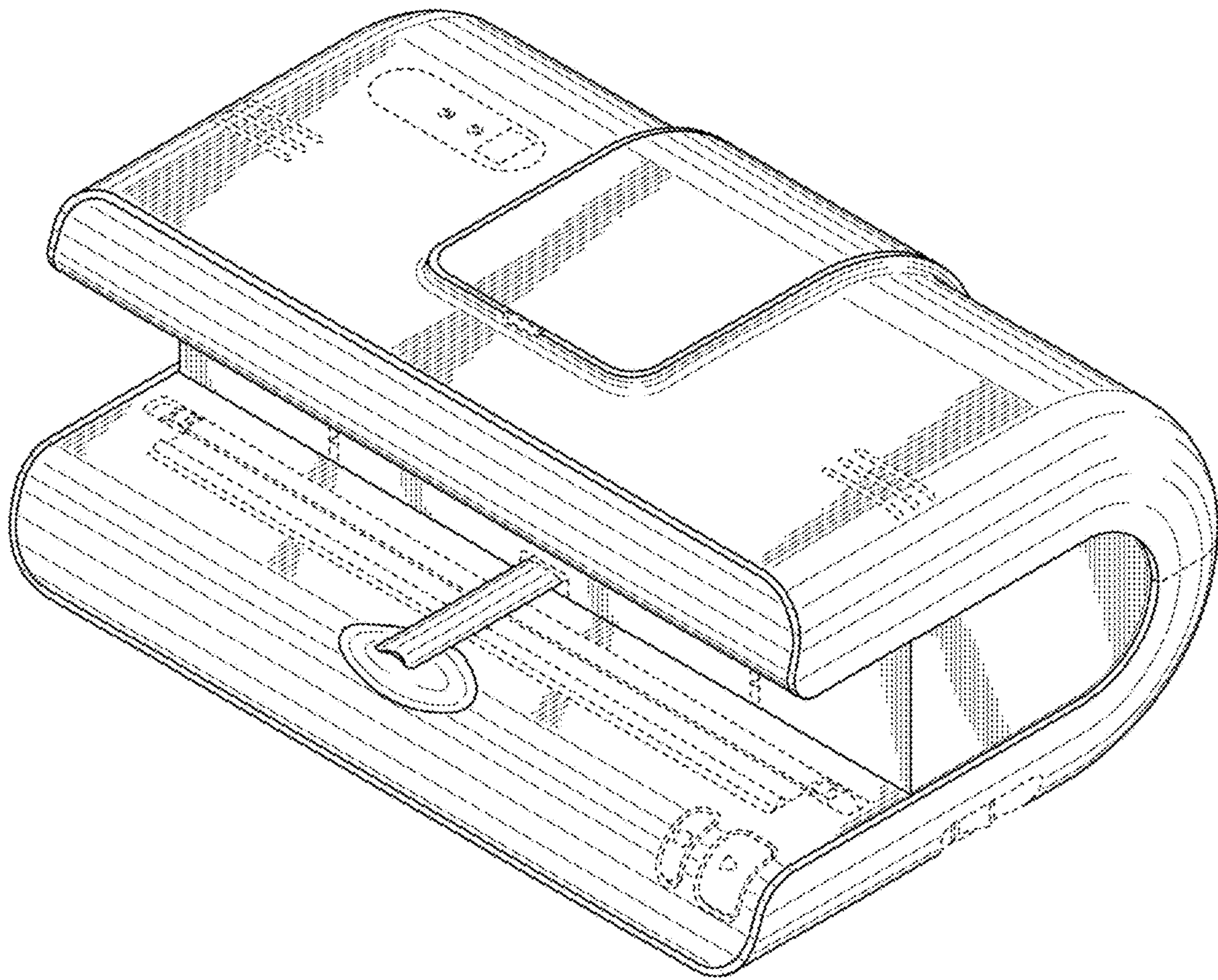
- 1. Vacuum sealing appliance
- 1.1 : Front and top perspective view
- 1.2 : Back and top perspective view
- 1.3 : Front and bottom perspective view
- 1.4 : Front
- 1.5 : Back
- 1.6 : Right
- 1.7 : Top
- 1.8 : Left
- 1.9 : Bottom

The broken lines in the drawings show unclaimed environment only and form no part of the claimed design; the thin lines in the drawings illustrate the shapes of the three-dimensional surface.

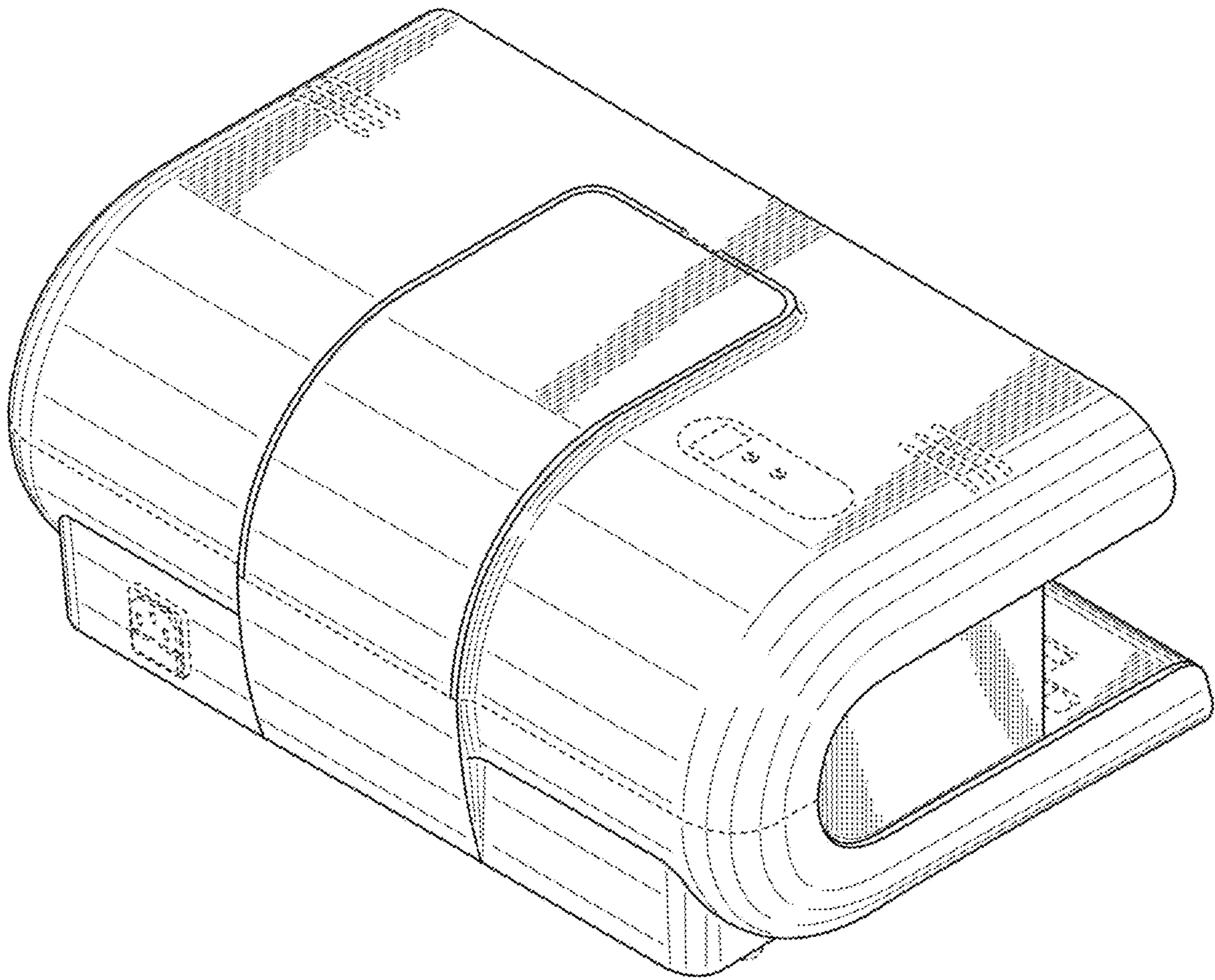
1 Claim, 9 Drawing Sheets



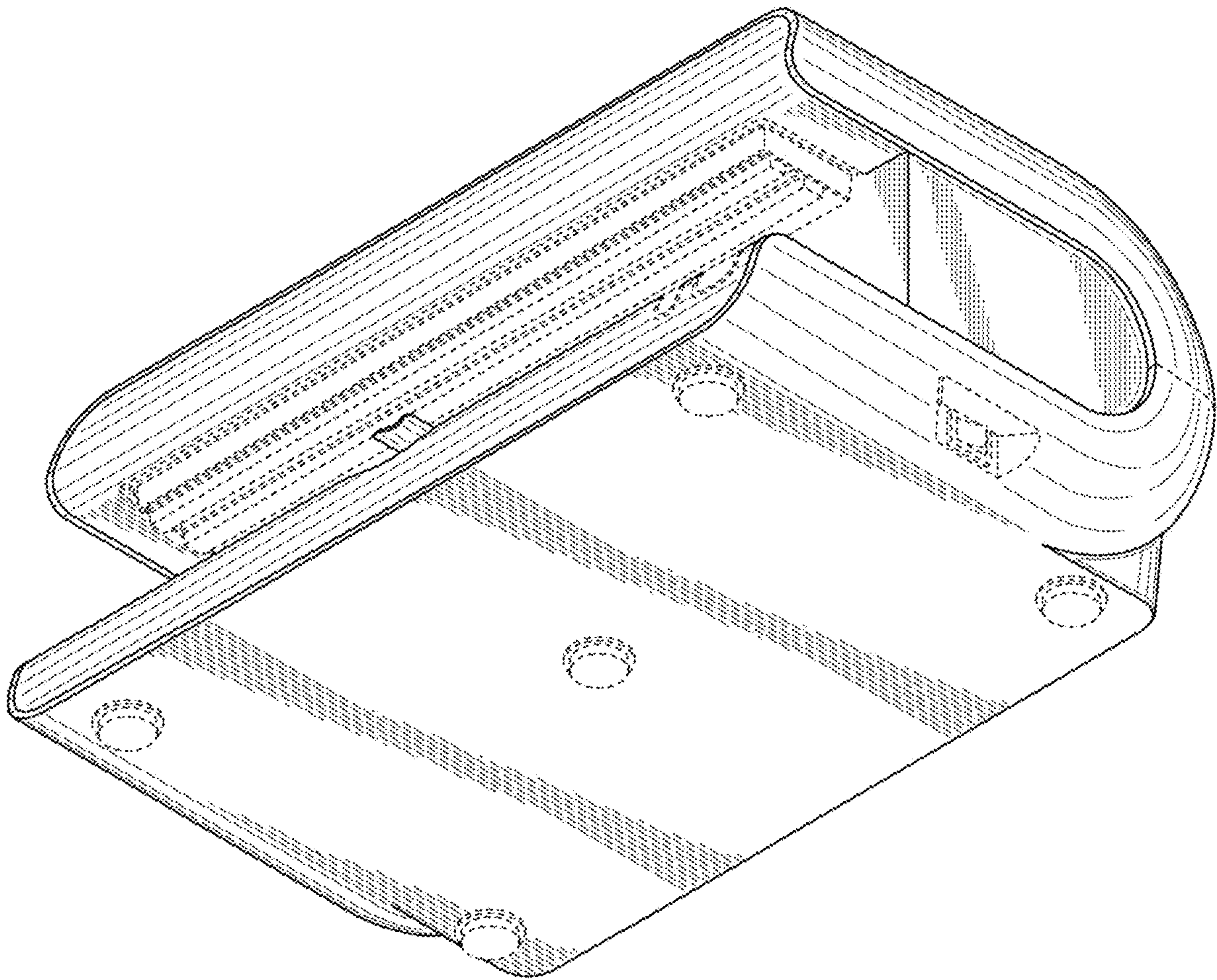
1.1



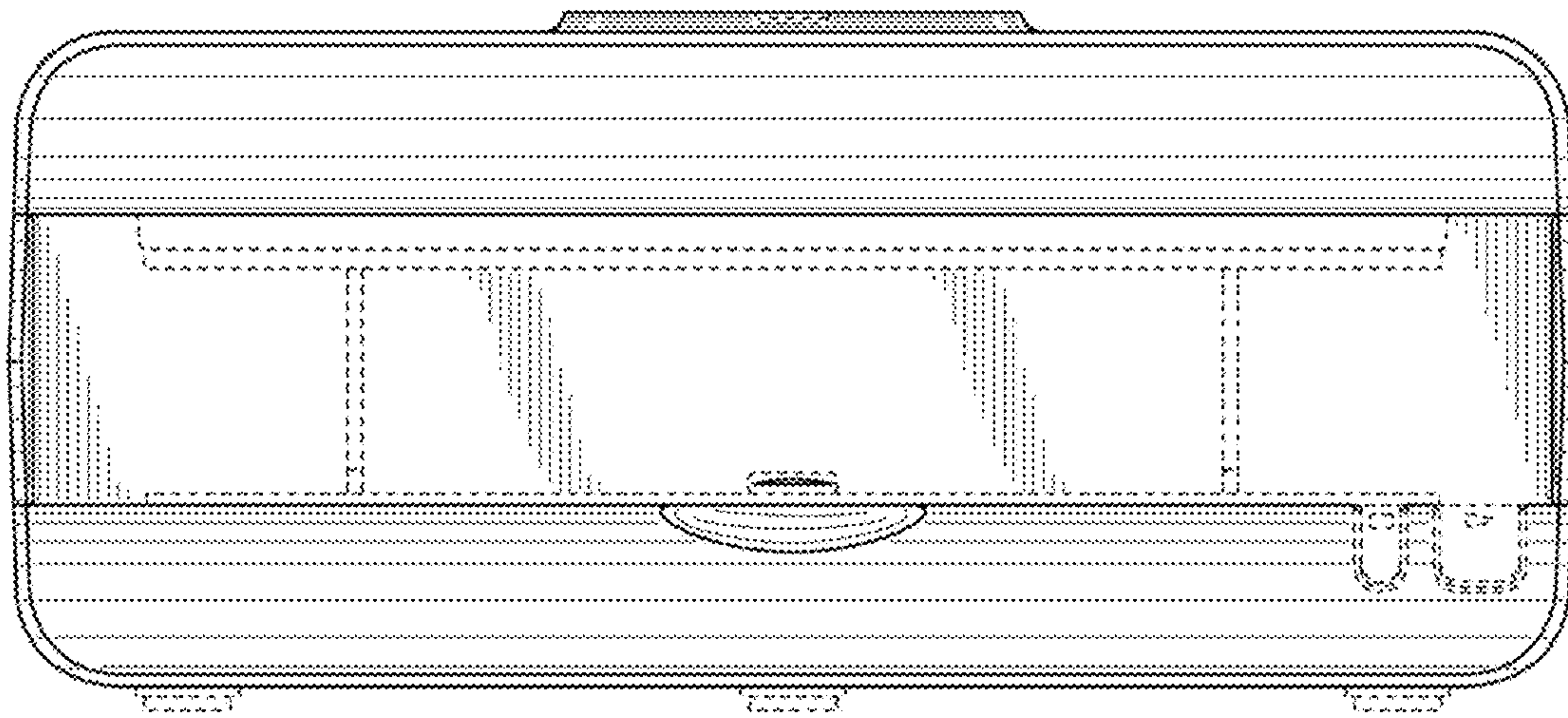
1.2



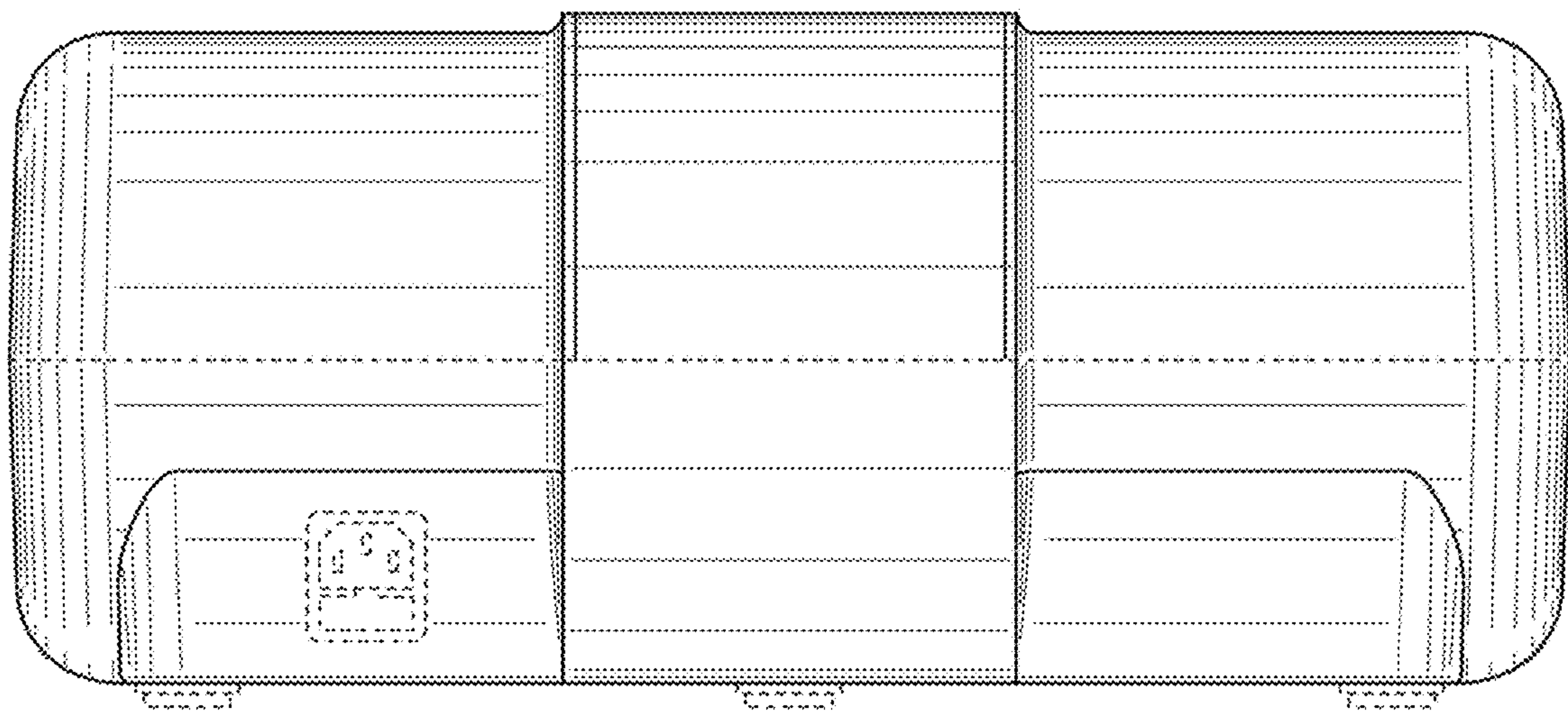
1.3



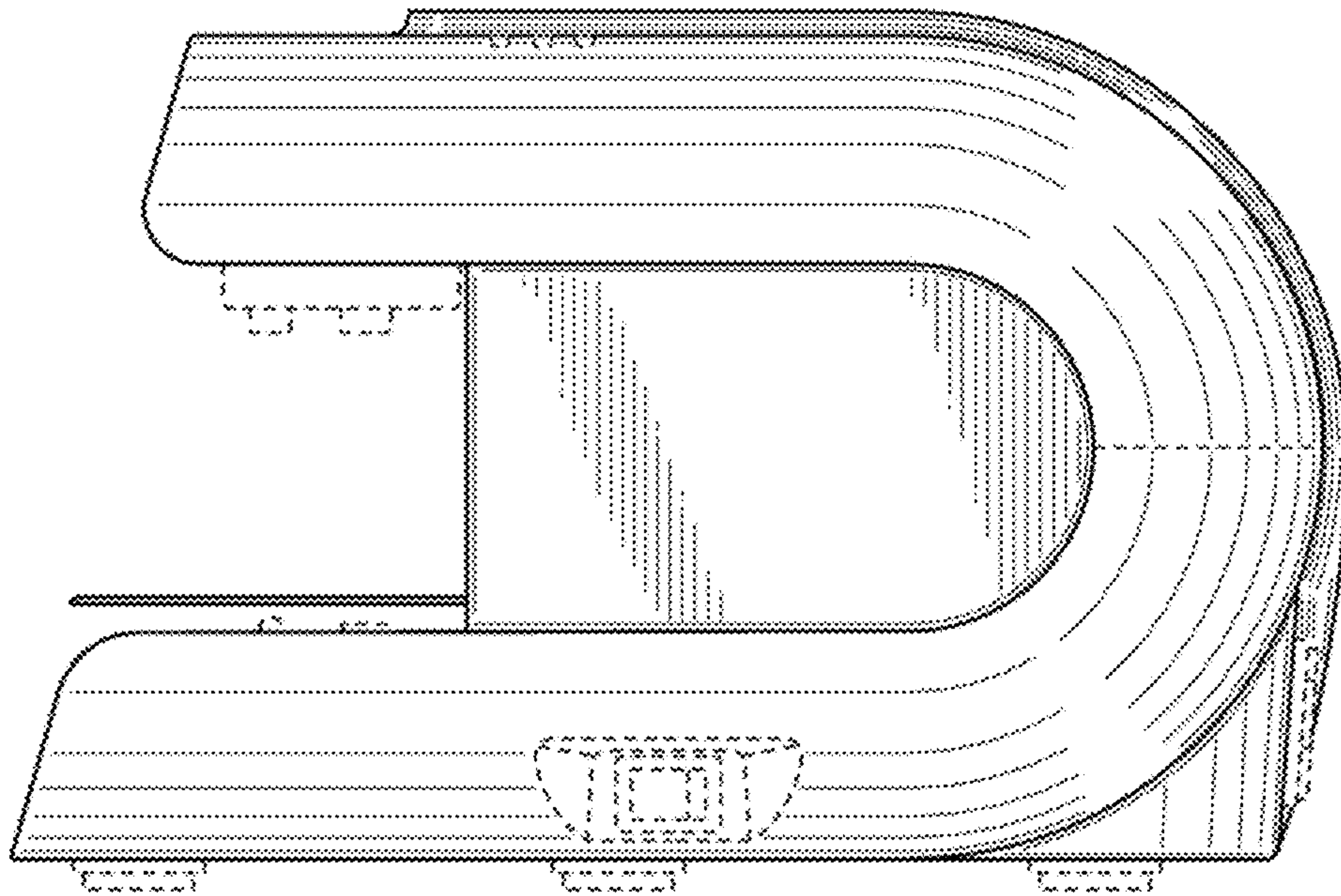
1.4



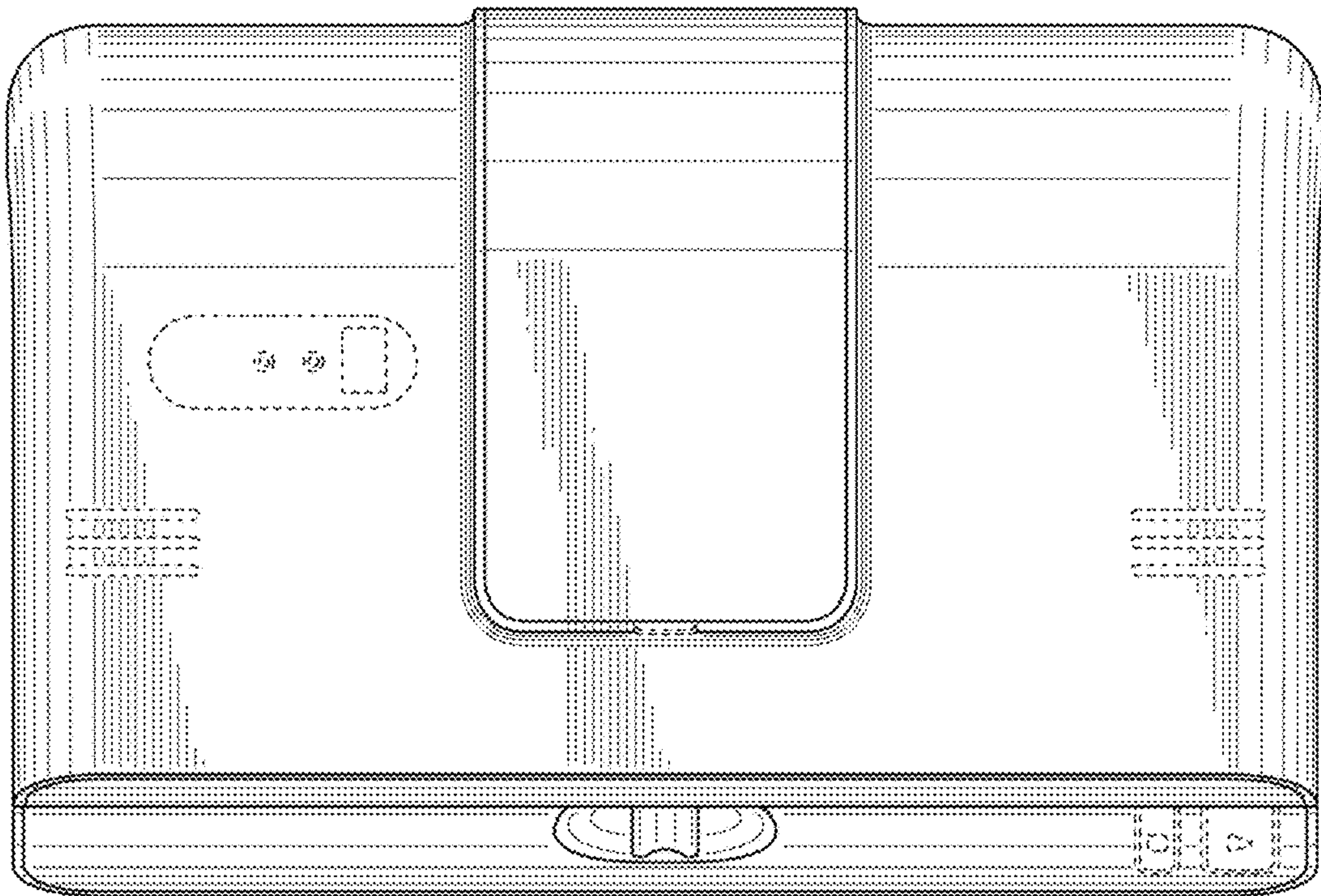
1.5



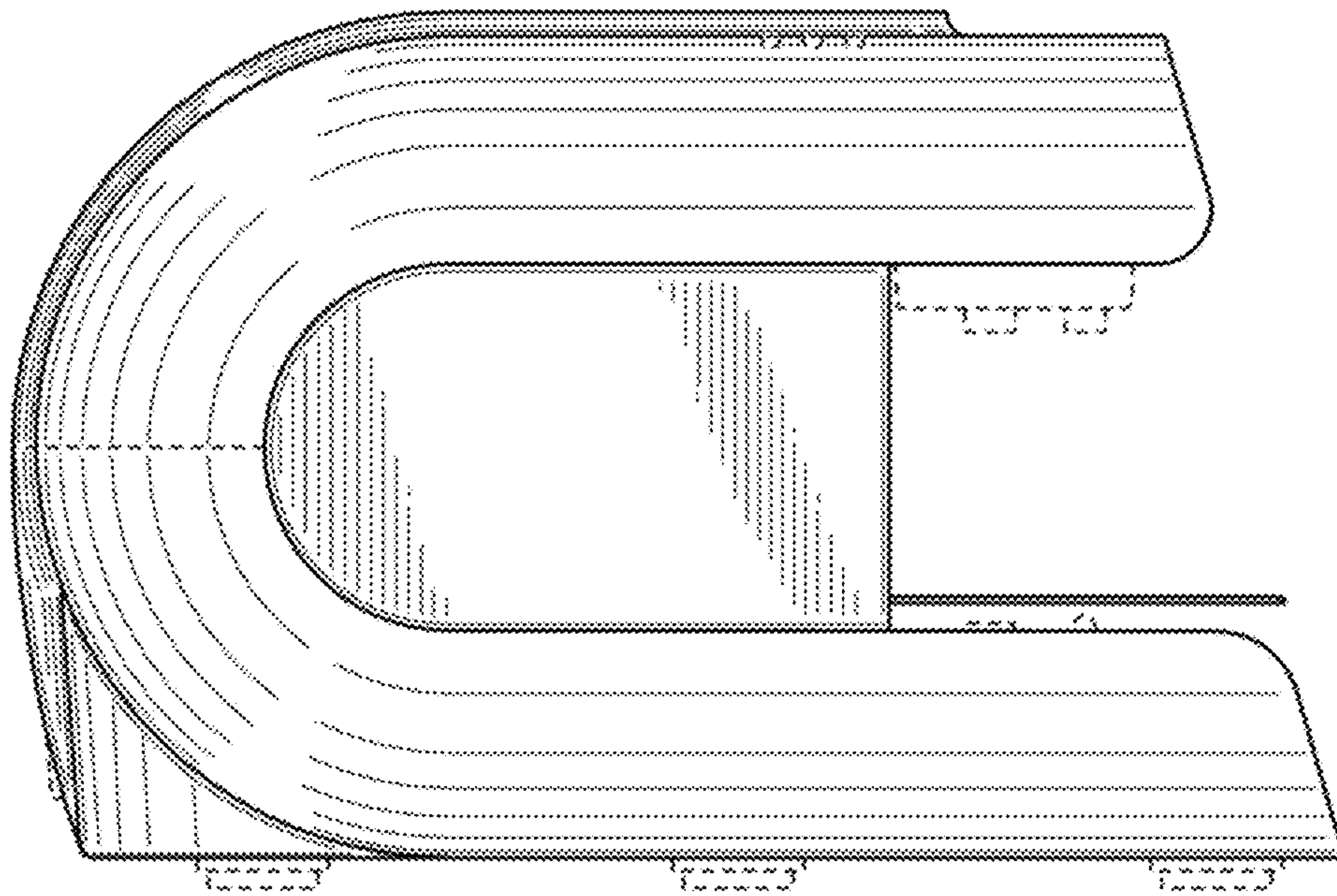
1.6



1.7



1.8



1.9

