



US00D823914S

(12) **United States Design Patent**
Chang

(10) **Patent No.:** **US D823,914 S**
(45) **Date of Patent:** **** Jul. 24, 2018**

(54) **SEALING AND VACUUM-PUMPING DEVICE**

(71) Applicant: **Welcome Co., Ltd.**, New Taipei (TW)

(72) Inventor: **Richard Chang**, New Taipei (TW)

(73) Assignee: **WELCOME CO., LTD.**, New Taipei (TW)

(**) Term: **15 Years**

(21) Appl. No.: **29/599,119**

(22) Filed: **Mar. 31, 2017**

(51) **LOC (11) Cl.** **15-99**

(52) **U.S. Cl.**
USPC **D15/146**

(58) **Field of Classification Search**
USPC D8/50; D15/145, 146
CPC B65B 31/06; B65B 31/046; B65B 31/047;
B29C 65/00; B29C 65/223; B29C
65/7461; B29C 66/861; B29C 66/43121;
B29C 66/8324; B29C 66/8618; B29C
66/81427

See application file for complete search history.

(56) **References Cited**

U.S. PATENT DOCUMENTS

D306,683 S *	3/1990	Ebihara	D8/49
D328,750 S *	8/1992	Chou	D15/146
D331,001 S *	11/1992	Hu Huang	D8/50
D338,215 S *	8/1993	Maruyama	D15/146
D340,937 S *	11/1993	Seger	D15/146
D401,950 S *	12/1998	Chou	D15/146
D411,554 S *	6/1999	Lee	D15/146
6,064,038 A *	5/2000	Chou	B29C 66/0044 219/227
D454,894 S *	3/2002	Chou	D15/146

6,919,537 B2 *	7/2005	Chang	B29C 65/18 219/225
D528,137 S *	9/2006	Huang	D15/146
D542,315 S *	5/2007	Chang	D15/146
D579,034 S *	10/2008	Chang	D15/146
D597,572 S *	8/2009	Tsai	D15/146
D618,716 S *	6/2010	Huang	D15/146
D633,118 S *	2/2011	Beatty	D15/146
D682,834 S *	5/2013	Ishikawa	D14/422
D687,079 S *	7/2013	Mueller	D15/146
D706,600 S *	6/2014	Cunningham	D8/50
D714,608 S *	10/2014	Bonacina	D8/50
D731,274 S *	6/2015	Bonacina	D8/50
D763,334 S *	8/2016	Yoshitomi	D15/146
D773,543 S *	12/2016	Fan	D15/146
D774,577 S *	12/2016	Rausch	D15/146
2002/0070206 A1 *	6/2002	Chou	B29C 66/225 219/243

* cited by examiner

Primary Examiner — Patricia Ann Palasik

(74) *Attorney, Agent, or Firm* — Bacon & Thomas, PLLC

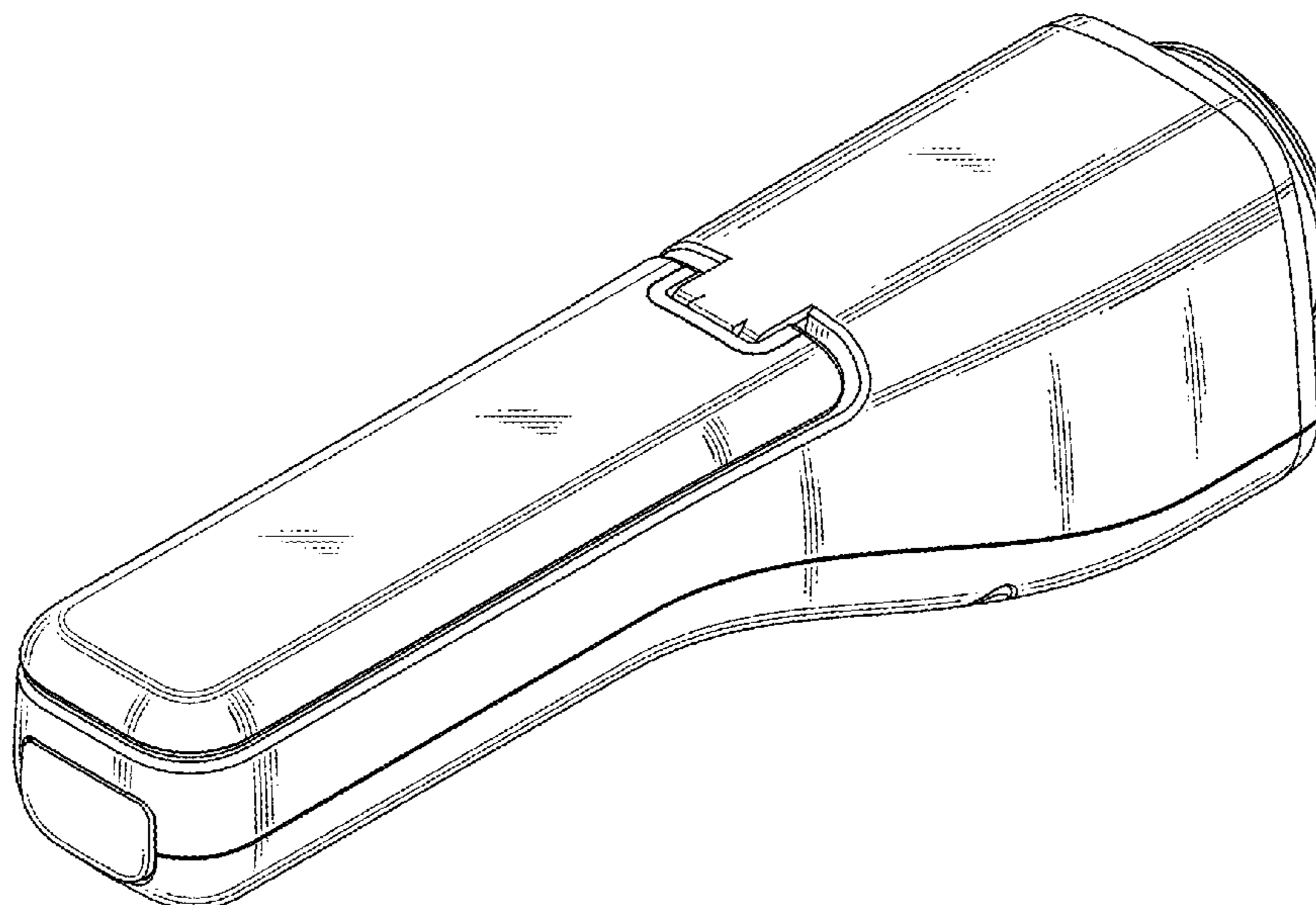
(57) **CLAIM**

The ornamental design for a sealing and vacuum-pumping device, as shown and described.

DESCRIPTION

FIG. 1 is a top, front, and left perspective view of a sealing and vacuum-pumping device showing our new design; FIG. 2 is a front side view thereof; FIG. 3 is a rear side view thereof; FIG. 4 is a left side view thereof; FIG. 5 is a right side view thereof; FIG. 6 is a top plan view thereof; and, FIG. 7 is a bottom plan view thereof. Surface patterns of a nozzle in FIG. 5 depict unclaimed environmental subject matter.

1 Claim, 5 Drawing Sheets



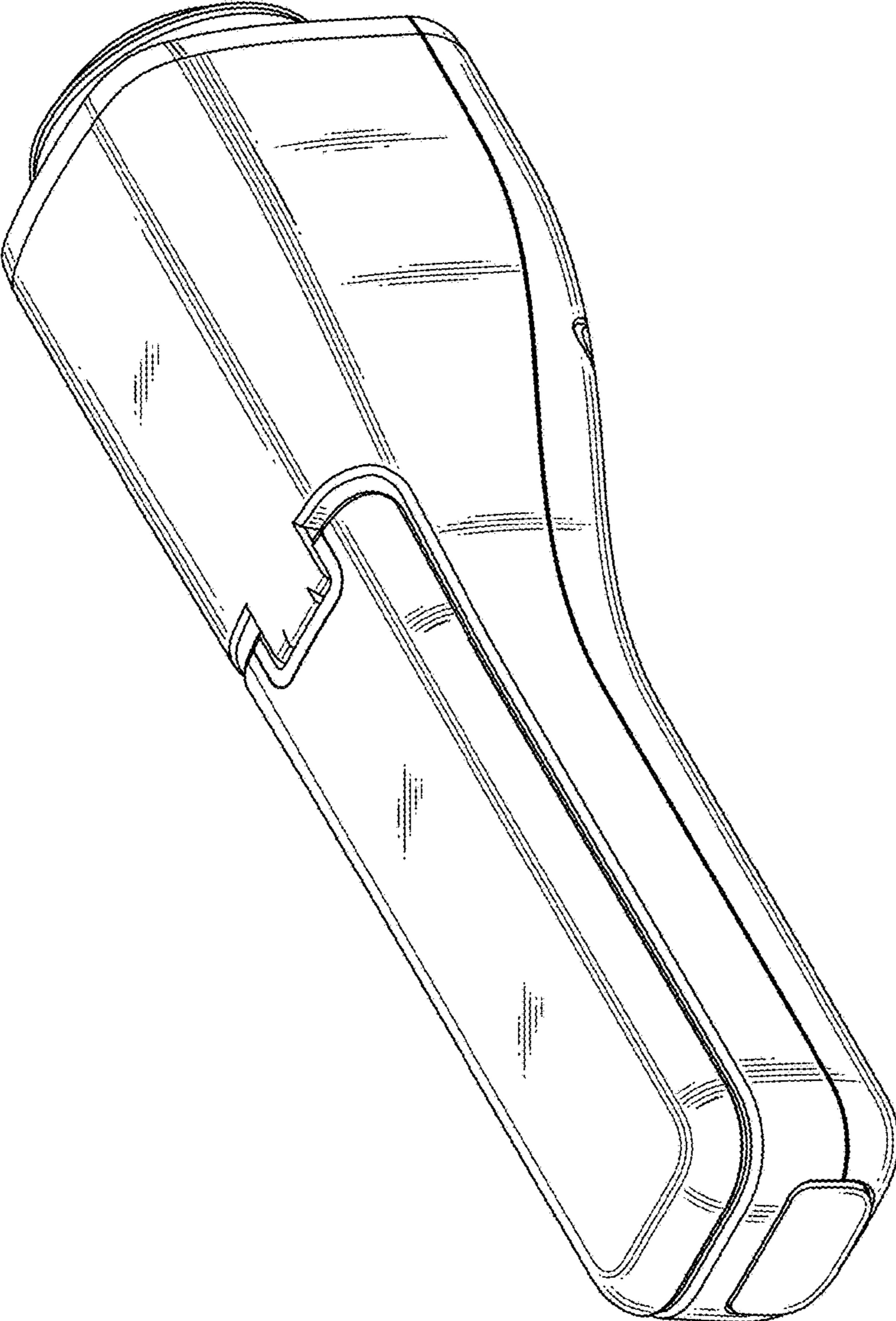


FIG. 1

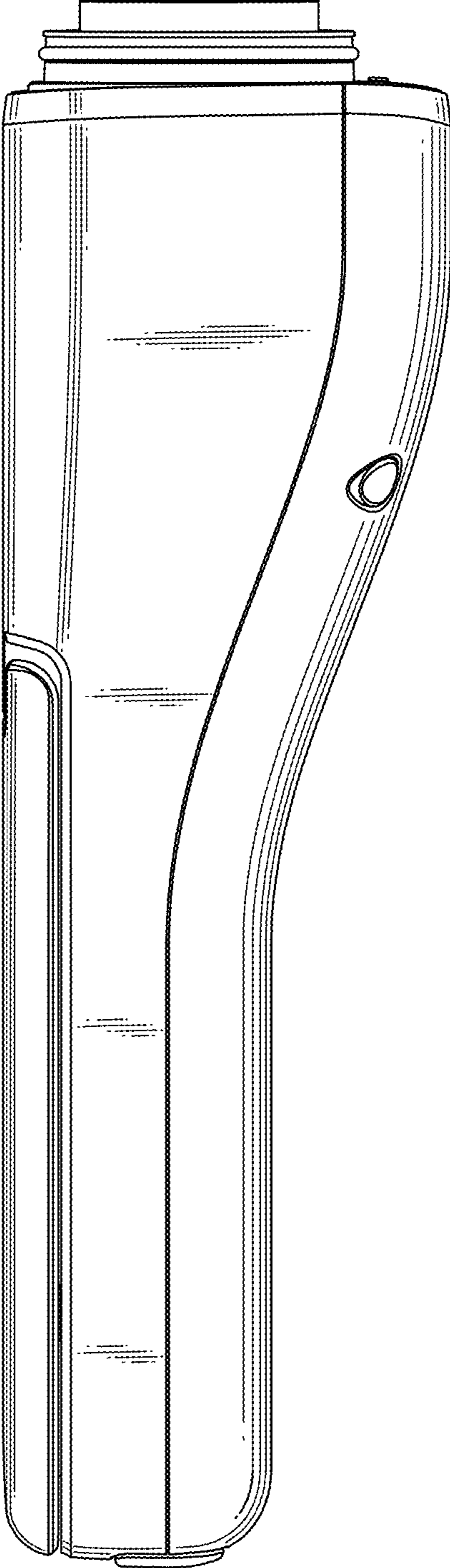


FIG. 2

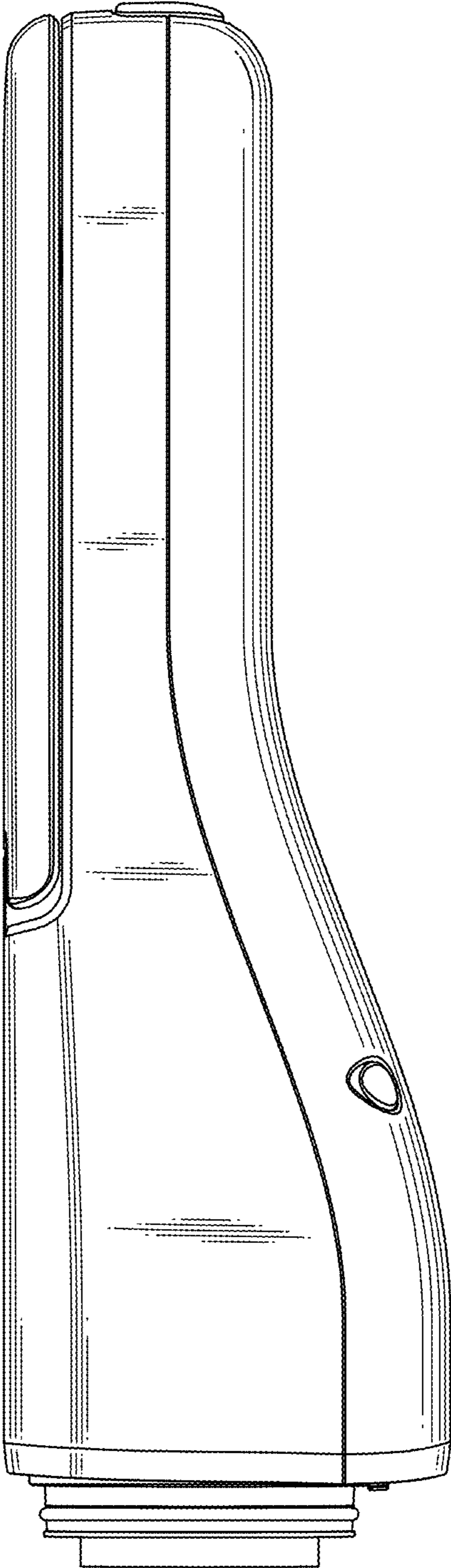


FIG. 3

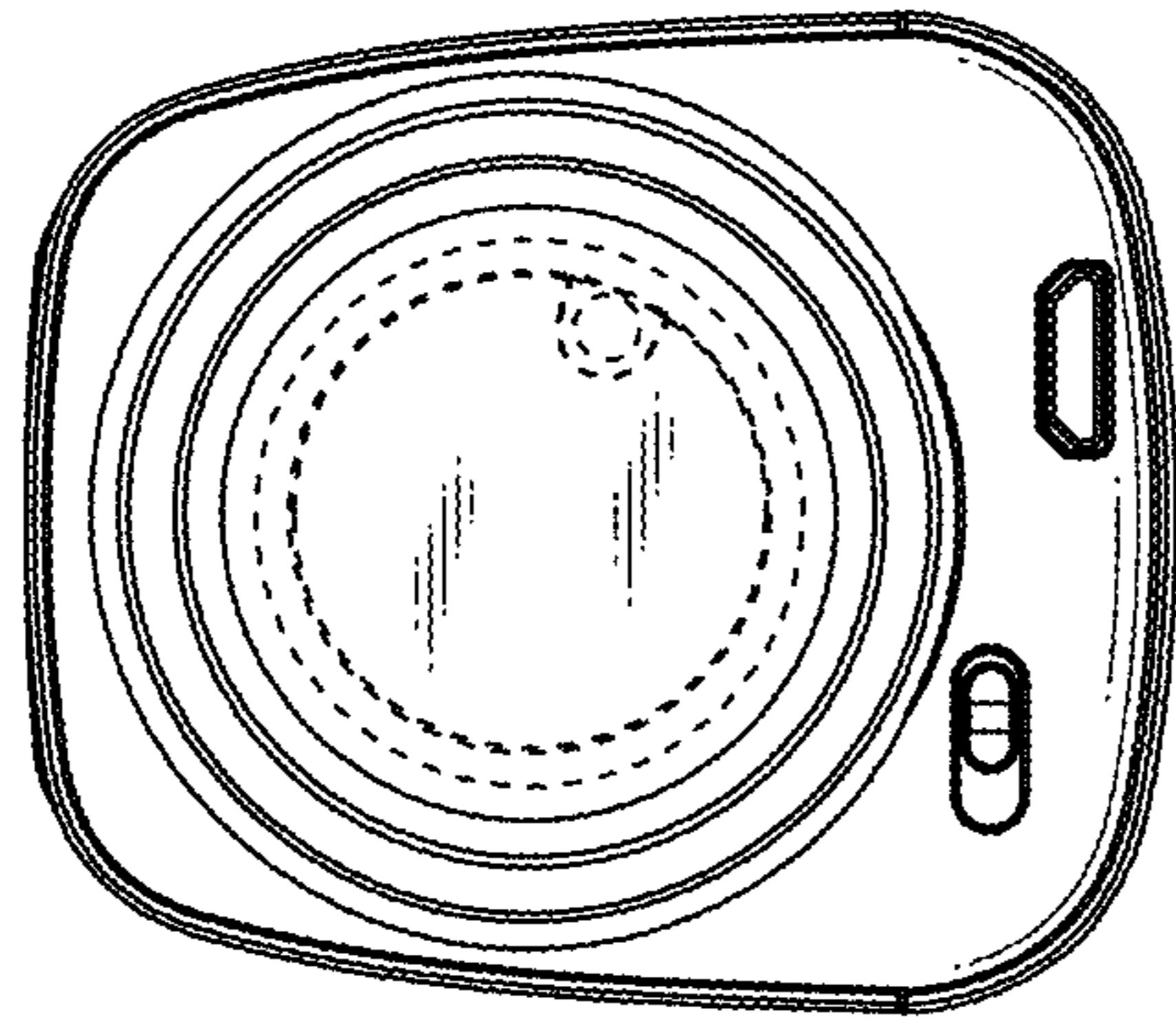


FIG. 5

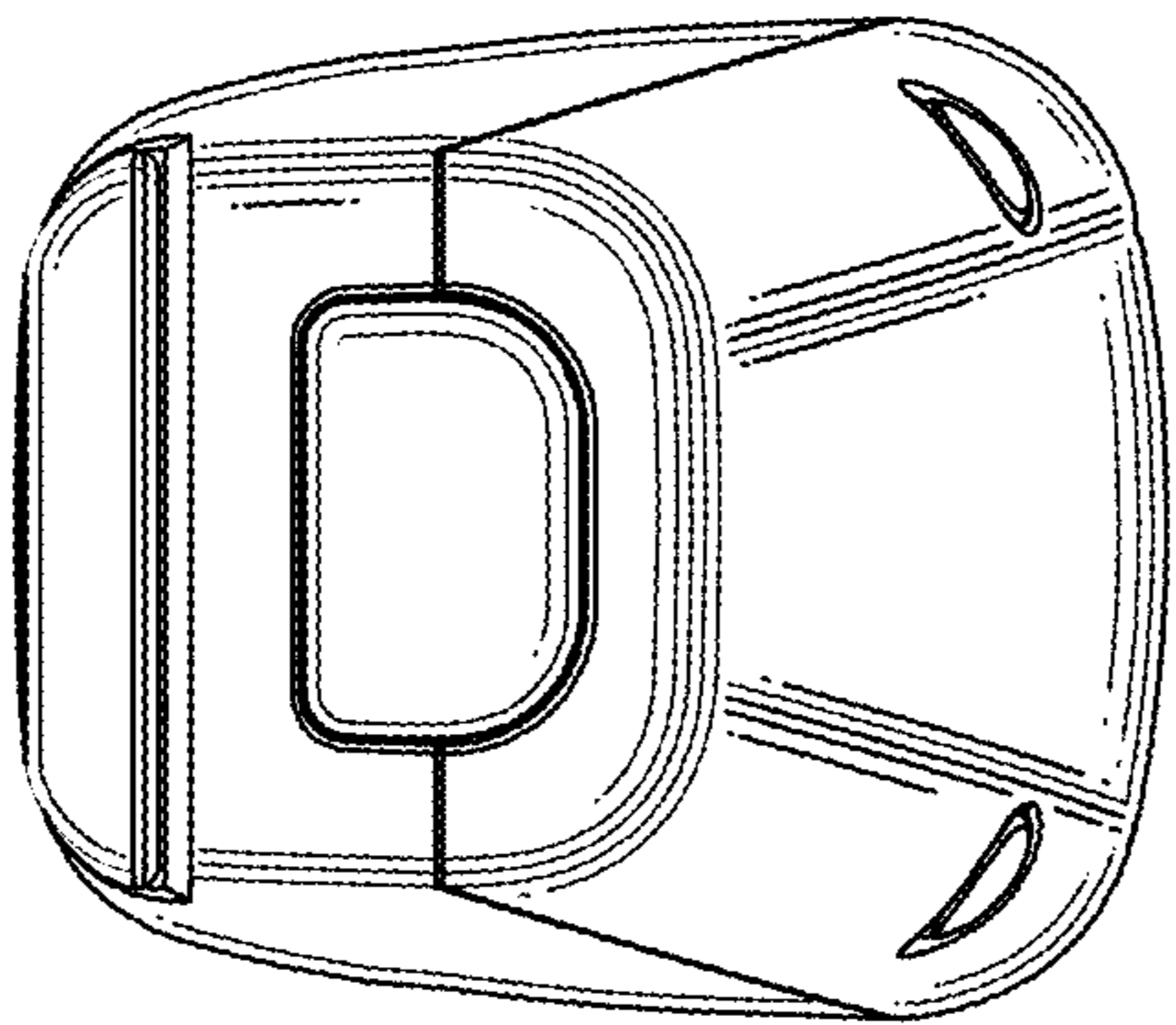


FIG. 4

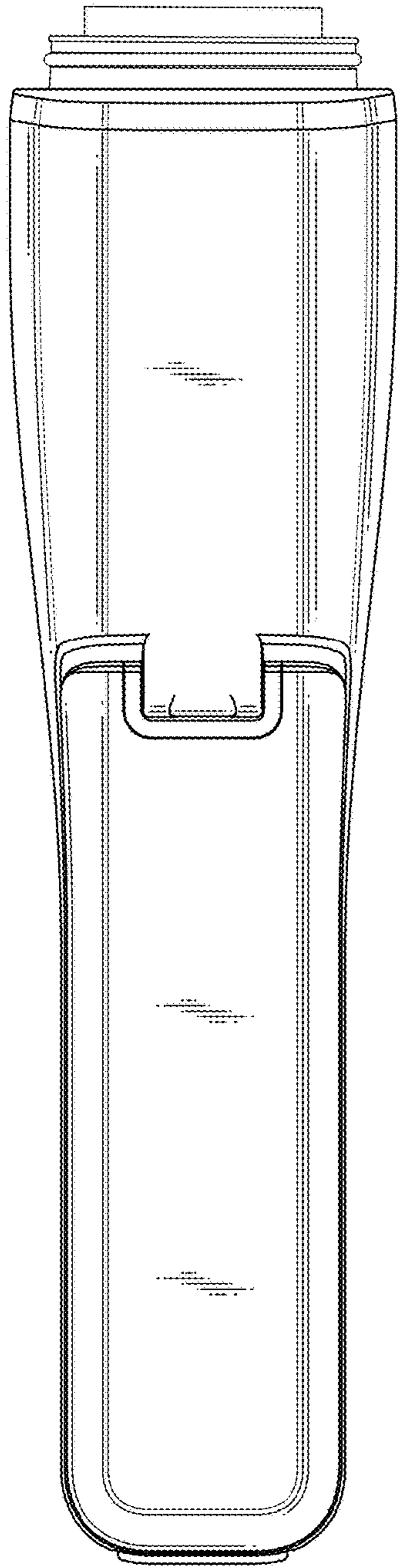


FIG. 6

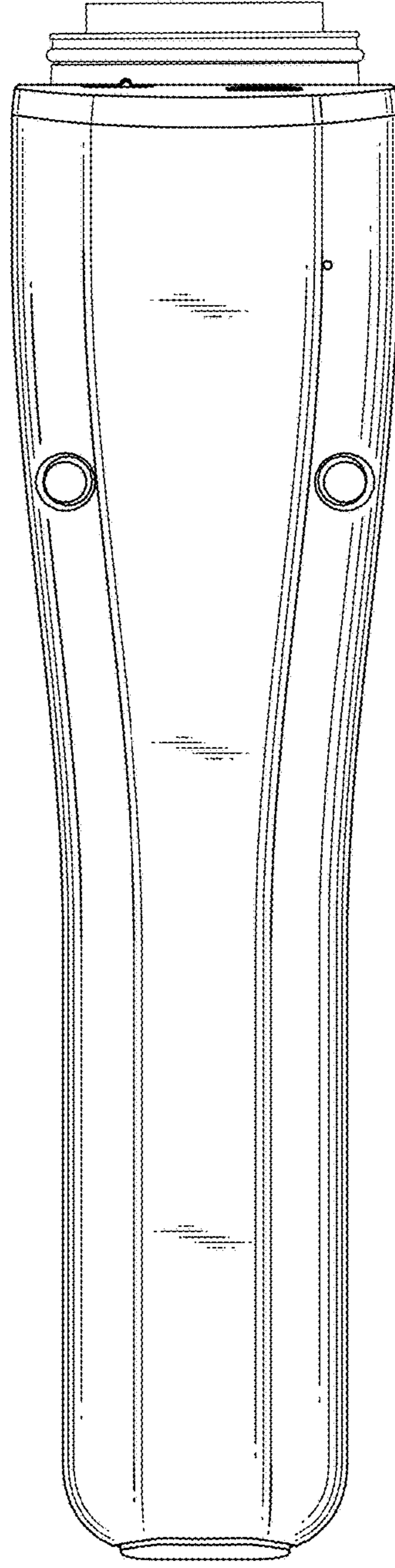


FIG. 7