



US00D823912S

(12) **United States Design Patent**
Runge

(10) **Patent No.:** **US D823,912 S**
(45) **Date of Patent:** **** Jul. 24, 2018**

(54) GLUE APPLICATION DEVICE	D643,054 S *	8/2011	Sennrich	B05C 5/001 D15/144
(71) Applicant: BAUMER HHS GMBH , Krefeld (DE)	8,104,649 B2 *	1/2012	Riney	B05C 5/0225 222/146.5
(72) Inventor: Christoph Runge , Neuss (DE)	D673,594 S *	1/2013	Ganzer	D15/144.1
(**) Term: 15 Years	9,044,764 B2 *	6/2015	Jochheim	B05C 5/0258
	9,671,039 B2 *	6/2017	Saine	F16K 31/1221
	9,840,643 B2 *	12/2017	Baldauf	C09J 5/00

(21) Appl. No.: **35/501,596**

FOREIGN PATENT DOCUMENTS

(22) Filed: **Mar. 18, 2016**

DE	40205123-0001	10/2002
DE	40205123-0004	10/2002
EM	000011648-0002	4/2003
EM	000011648-0004	4/2003

(80) **Hague Agreement Data**

* cited by examiner

Int. Filing Date: **Mar. 18, 2016**

Int. Reg. No.: **DM/091397**

Int. Reg. Date: **Mar. 18, 2016**

Int. Reg. Pub. Date: **Sep. 23, 2016**

Primary Examiner — Richard E Chilcot

(30) **Foreign Application Priority Data**

(57) **CLAIM**

Sep. 25, 2015 (CH) 2015-00718

The ornamental design for a glue application device, as shown and described.

(51) **LOC (11) Cl.** **08-05**

DESCRIPTION

(52) **U.S. Cl.**

USPC **D15/144**

CPC **F16K 31/40** (2013.01)

(58) **Field of Classification Search**

USPC D15/144, 144.1, 144.2; D8/70;
D23/229, 52; 222/54, 55, 146.5, 239,
222/320-325, 389, 556-567; 239/1, 11,
239/29, 71, 135, 296, 423, 536, 539

CPC F16K 31/40

See application file for complete search history.

FIG. 1.1 is a front, right, top-side perspective view of the glue application device showing my new design;
FIG. 1.2 is a right-side view thereof;
FIG. 1.3 is a left-side view thereof;
FIG. 1.4 is a back-side view thereof;
FIG. 1.5 is a front-side view thereof;
FIG. 1.6 is a top view thereof;
FIG. 1.7 is a bottom view thereof;
FIG. 1.8 is an alternative representation of FIG. 1.1; and
FIG. 1.9 is an alternative representation of FIG. 1.2.

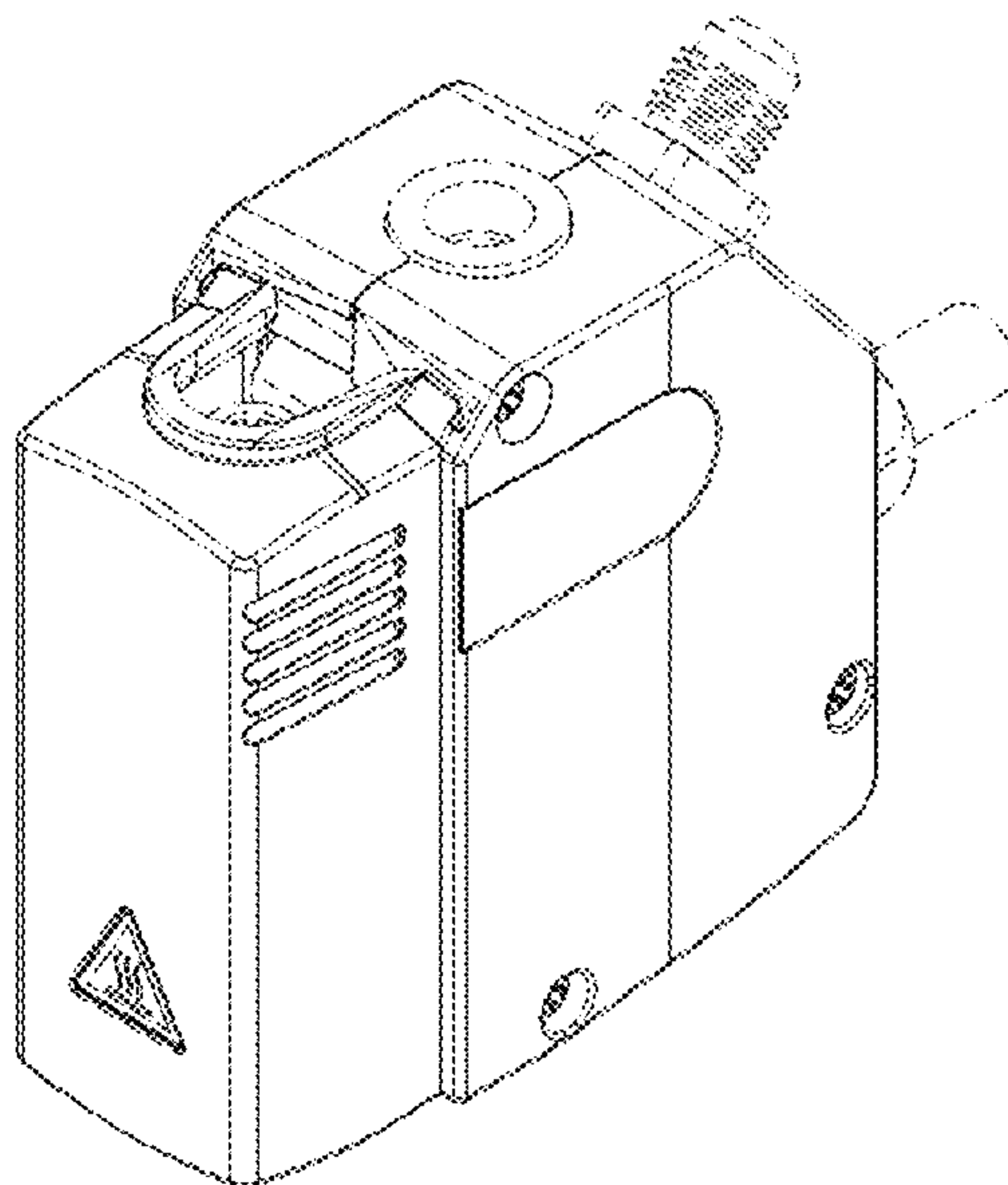
(56) **References Cited**

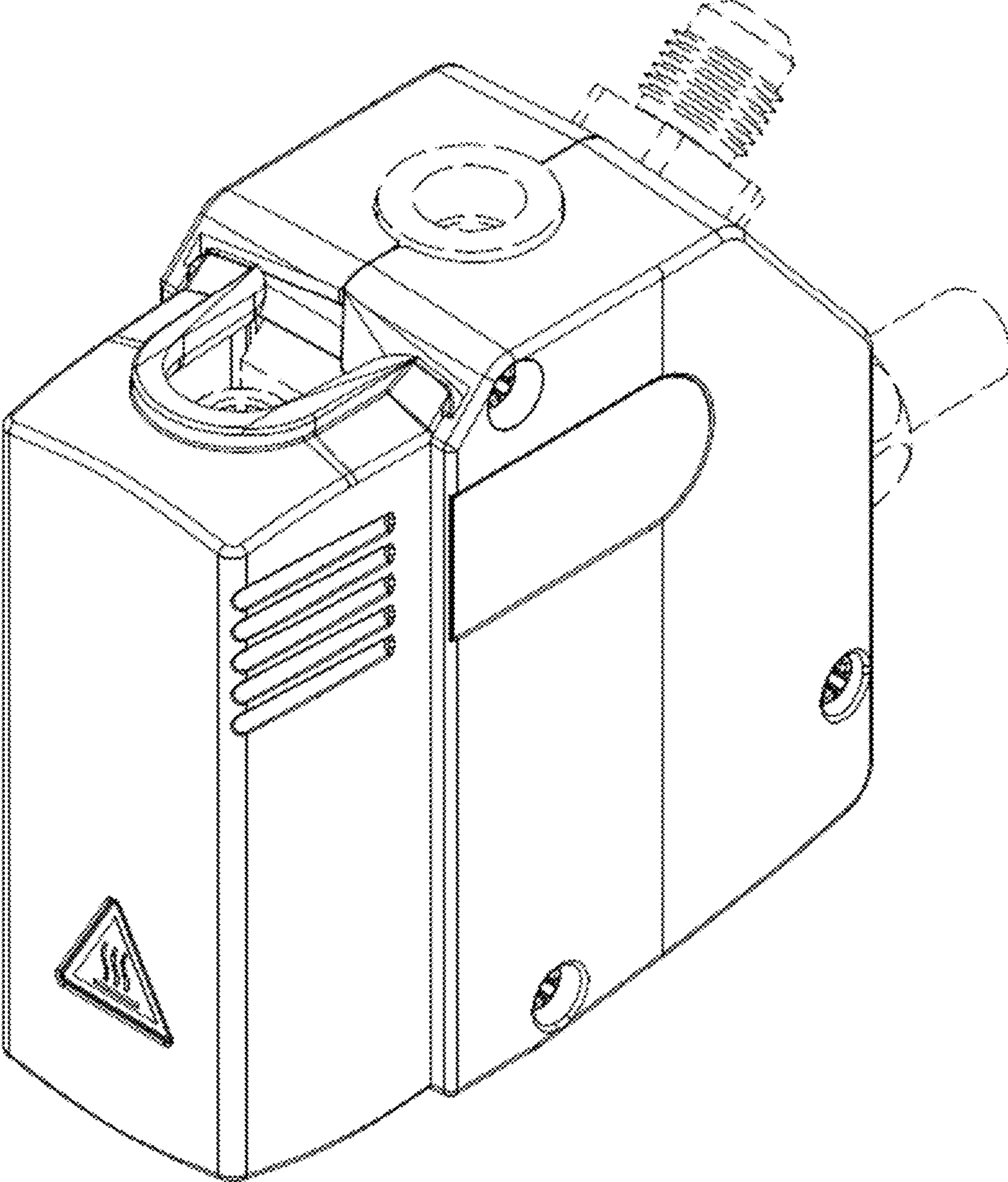
The broken line showing of the hose attachments is included for the purpose of illustrating environment and forms no part of the claimed design.

U.S. PATENT DOCUMENTS

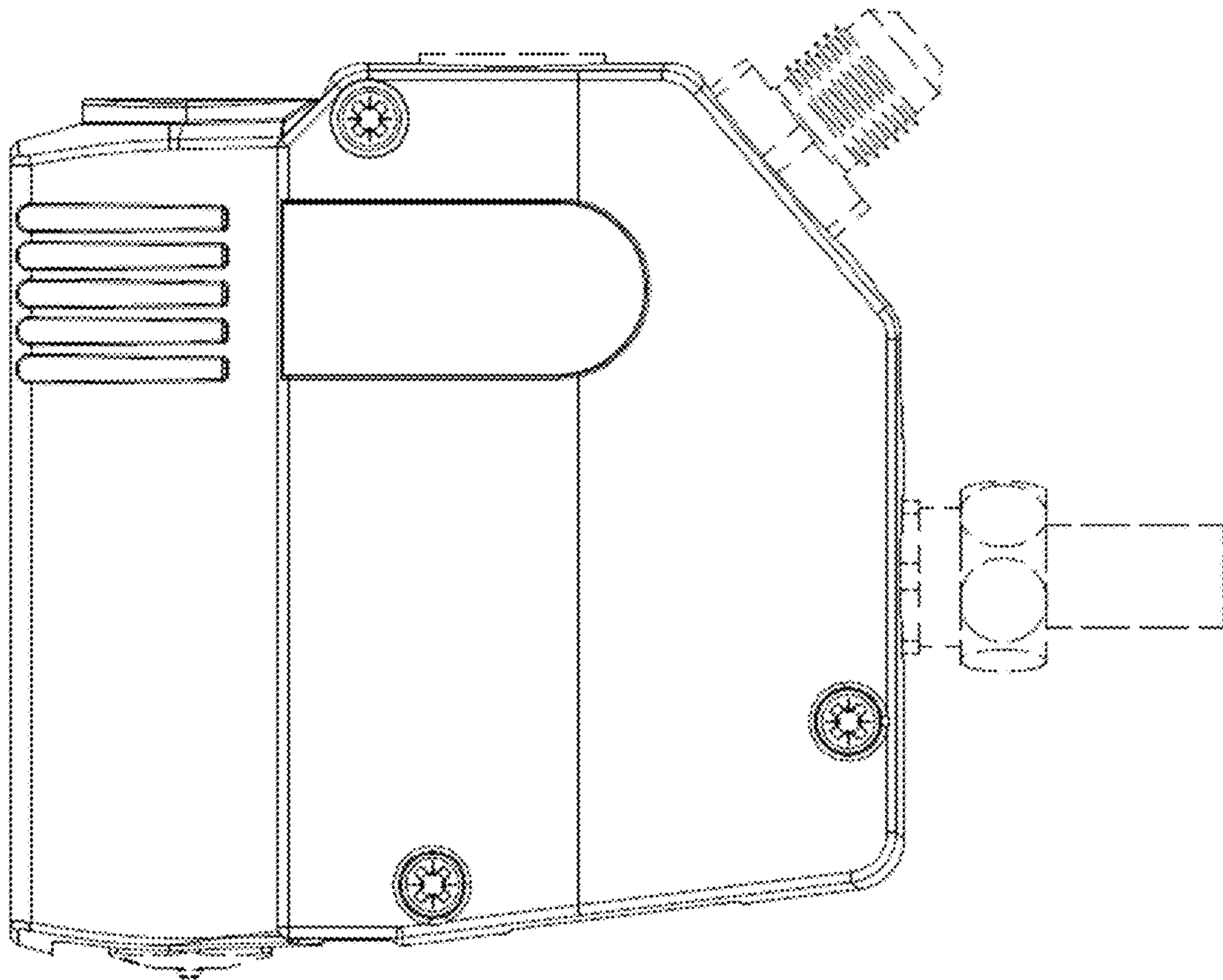
D473,883 S * 4/2003 Huey D15/144.2
D641,767 S * 7/2011 Juergens D15/144

1 Claim, 9 Drawing Sheets

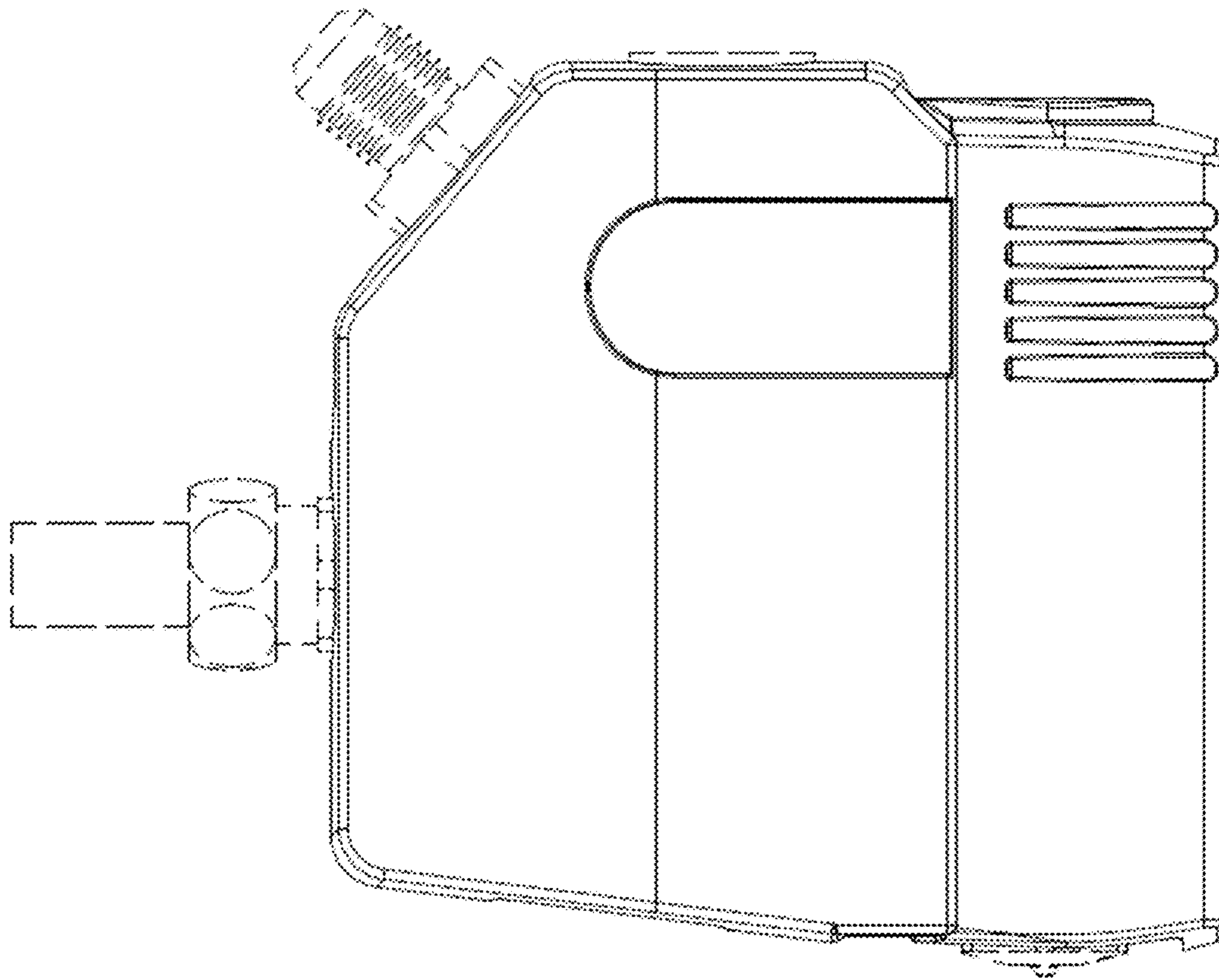




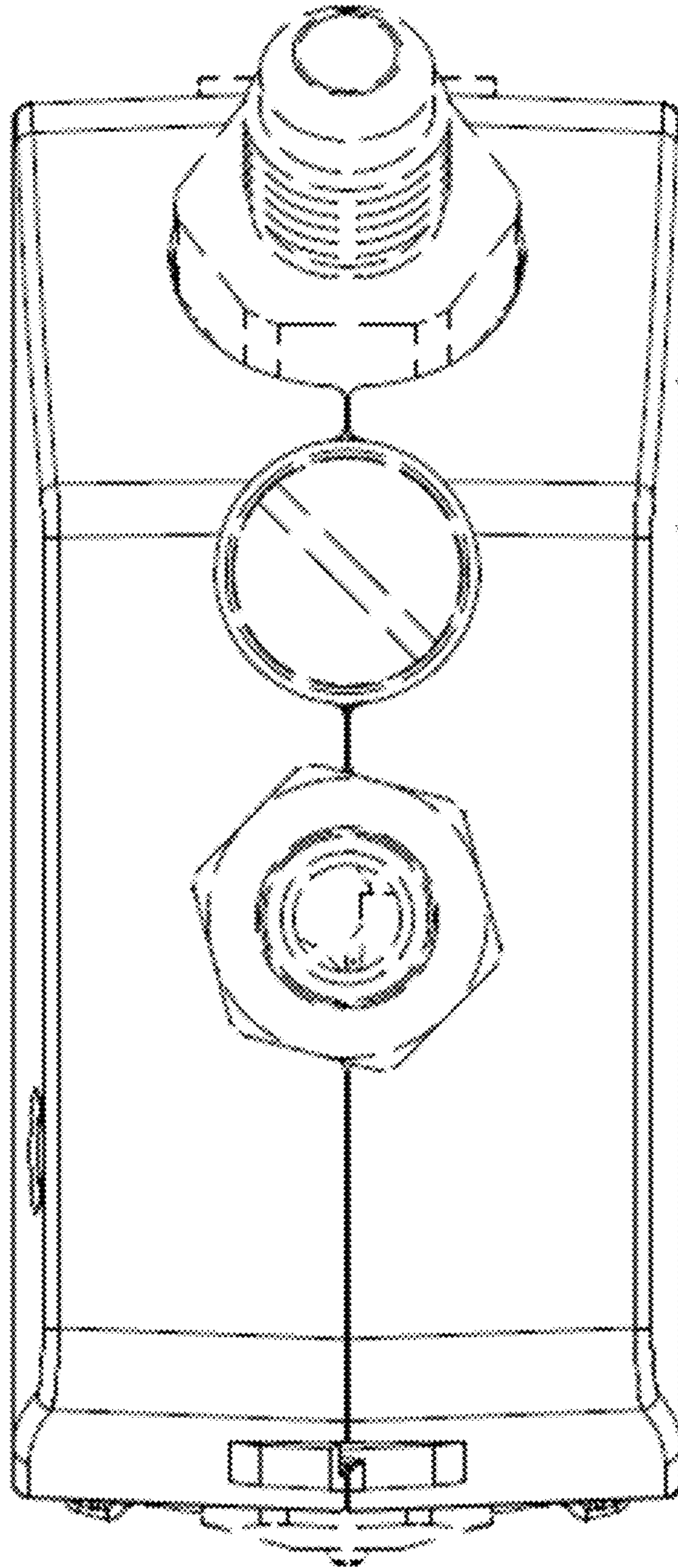
1.1



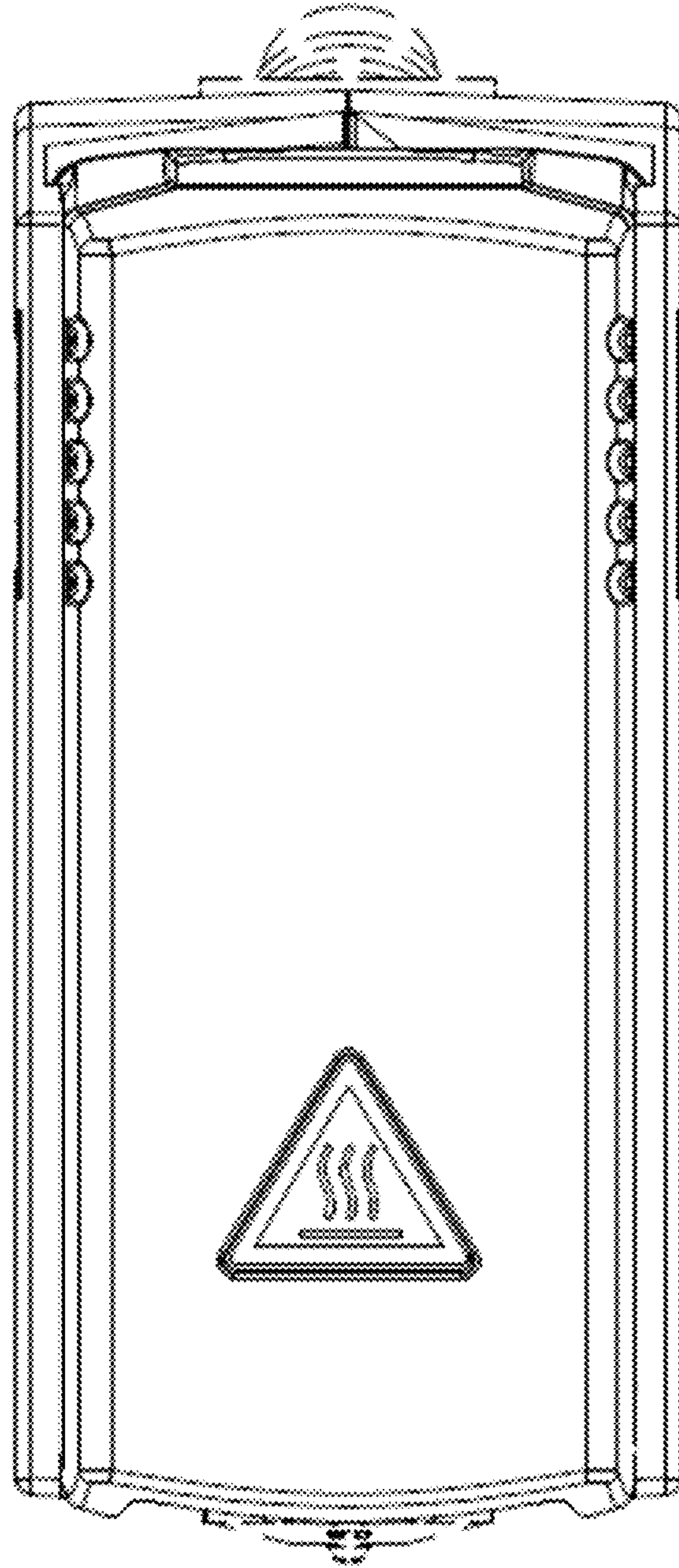
1.2

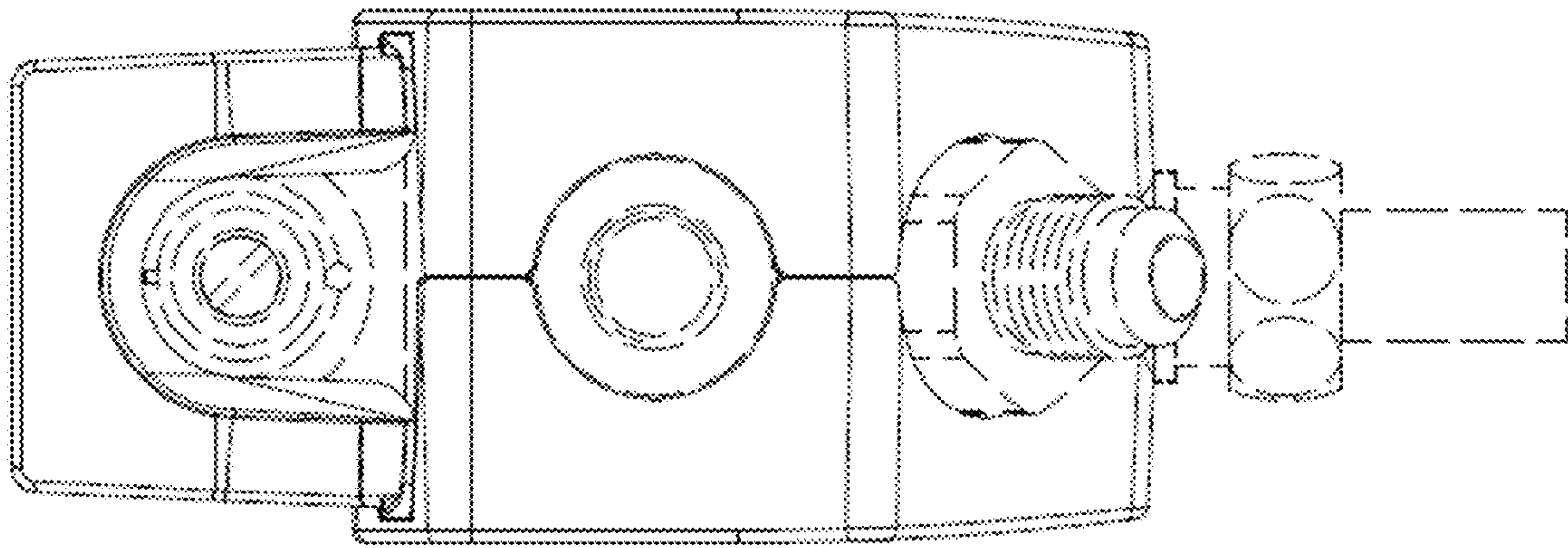


1.3

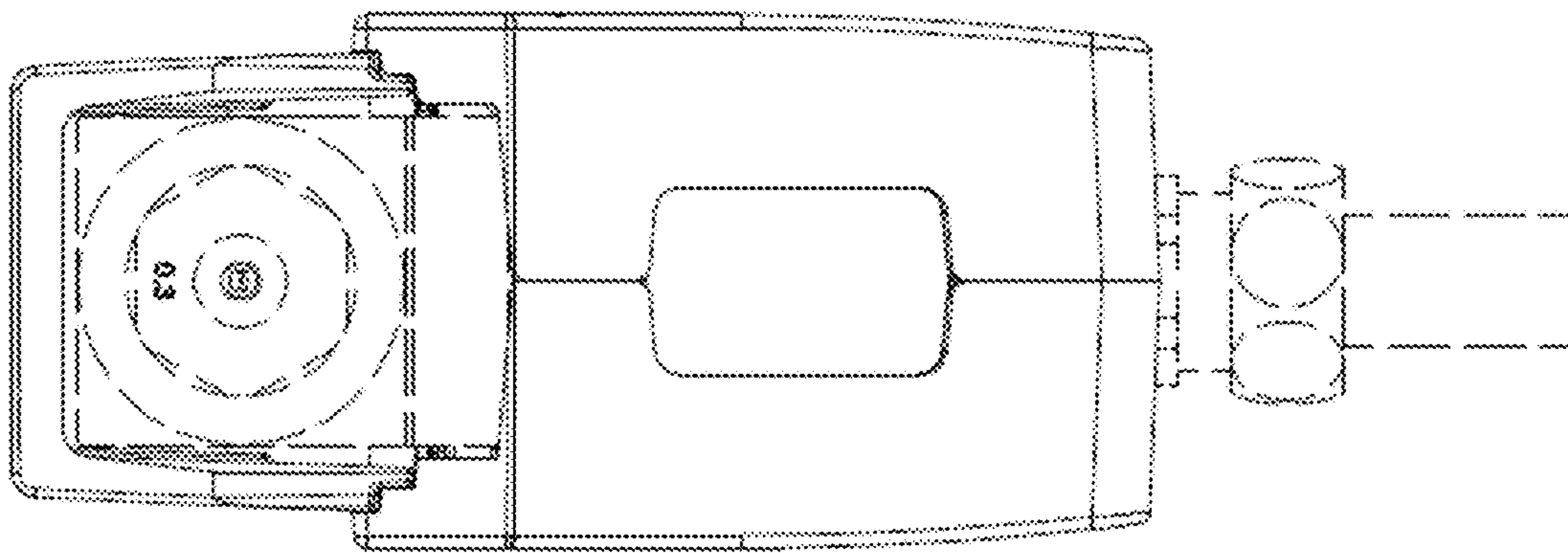


1.4

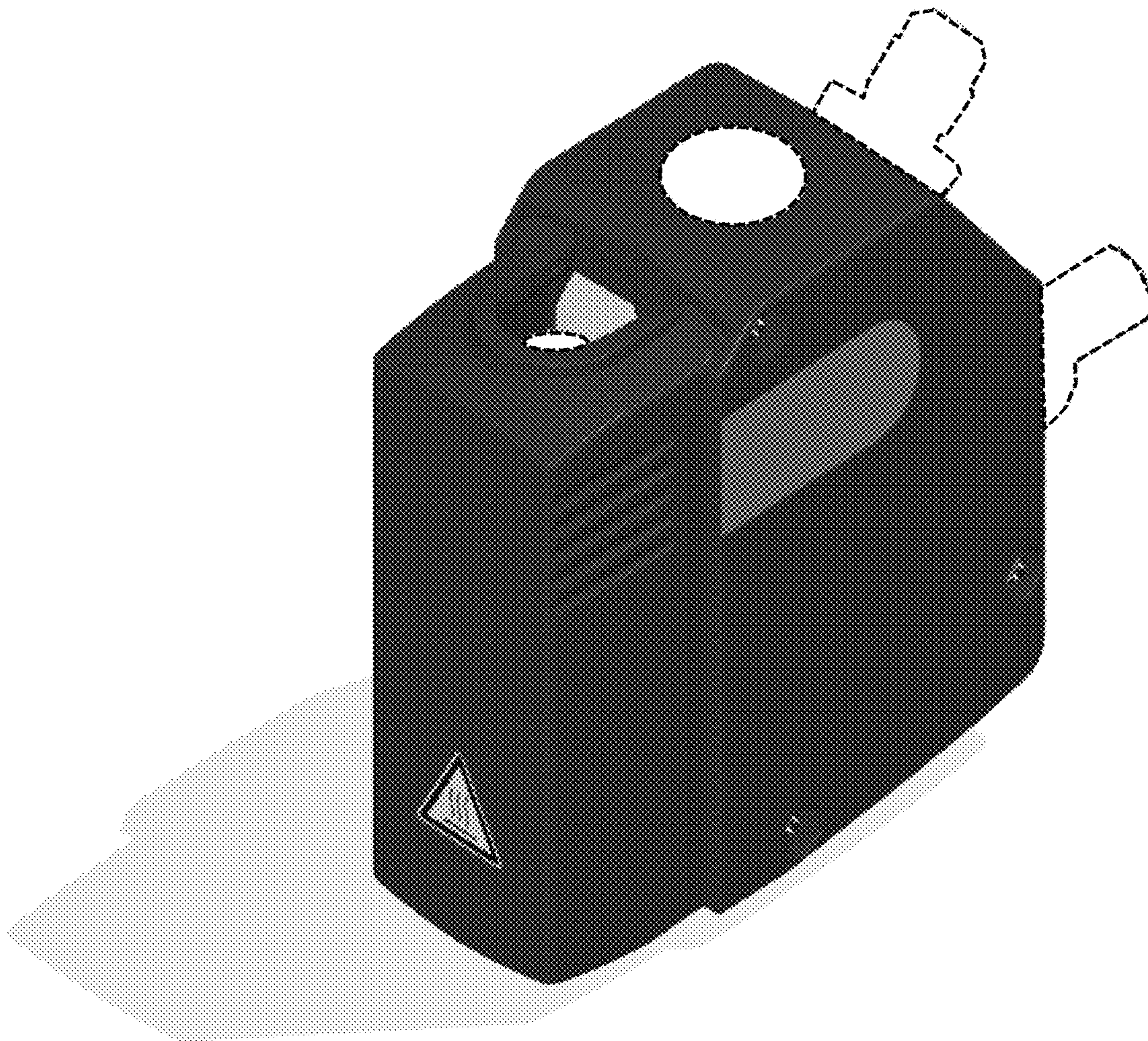




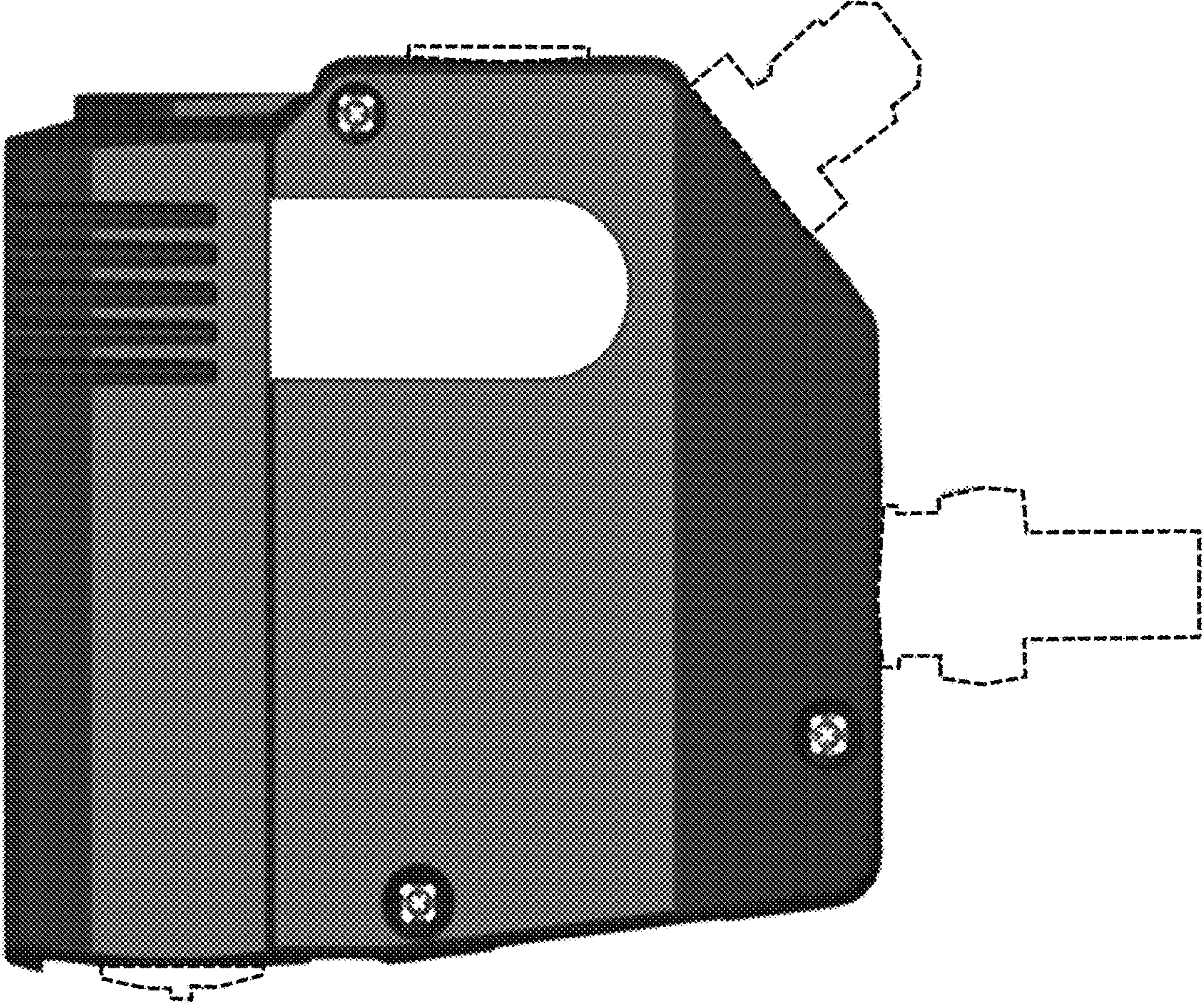
1.6



1.7



1.8



1.9