

US00D823911S

(12) **United States Design Patent**  
**Landqvist**

(10) **Patent No.:** **US D823,911 S**  
(45) **Date of Patent:** **\*\* Jul. 24, 2018**

- (54) **WELDING FIXTURE**
- (71) Applicant: **Roxtec AB**, Karlskrona (SE)
- (72) Inventor: **Jorgen Landqvist**, Karlskrona (SE)
- (73) Assignee: **Roxtec AB**, Karlskrona (SE)
- (\*\*) Term: **15 Years**

D179,334 S	11/1956	Webster	
D272,743 S	2/1984	Knox	
4,538,956 A	9/1985	Kalkbrenner	
D302,433 S	7/1989	Niedrig	
D347,644 S	6/1994	Bezdicek	
D417,162 S	11/1999	Thweatt	
D451,937 S	12/2001	Selzer	
D590,852 S	4/2009	Killion	
D642,604 S	8/2011	Rohrer	
D658,219 S	4/2012	Coryell	
D678,372 S	3/2013	Trussell	
D693,864 S	11/2013	Cooper	
D727,381 S	4/2015	Thweatt	
D757,831 S *	5/2016	Landqvist	D15/144
D804,554 S *	12/2017	Landqvist	D15/144
2005/0194362 A1 *	9/2005	Eisenhower, Jr.	B23K 37/0452 219/121.63
2008/0303197 A1 *	12/2008	Paquette	B23K 11/115 269/55
2015/0014395 A1 *	1/2015	Lu	B23K 37/04 228/44.3
2015/0151378 A1	6/2015	Fujii	

- (21) Appl. No.: **29/561,196**
- (22) Filed: **Apr. 14, 2016**
- Related U.S. Application Data**
- (62) Division of application No. 29/511,272, filed on Dec. 9, 2014, now Pat. No. Des. 757,831.

- (30) **Foreign Application Priority Data**
- Jun. 10, 2014 (EM) ..... 002479691-0001
- Jun. 10, 2014 (EM) ..... 002479691-0002
- Jun. 10, 2014 (EM) ..... 002479691-0003

- (51) **LOC (11) Cl.** ..... **15-09**
- (52) **U.S. Cl.**  
USPC ..... **D15/144**
- (58) **Field of Classification Search**  
USPC ..... D8/29.1, 30; D15/144, 144.1, 144.2  
CPC .. B23K 31/02; B23K 37/053; B23K 37/0408;  
B23K 37/0452  
See application file for complete search history.

- (56) **References Cited**  
U.S. PATENT DOCUMENTS
- D41,872 S 10/1911 Macneale
- D147,348 S 8/1947 Panik

\* cited by examiner

*Primary Examiner* — Patricia A Palasik  
(74) *Attorney, Agent, or Firm* — Merchant & Gould P.C.

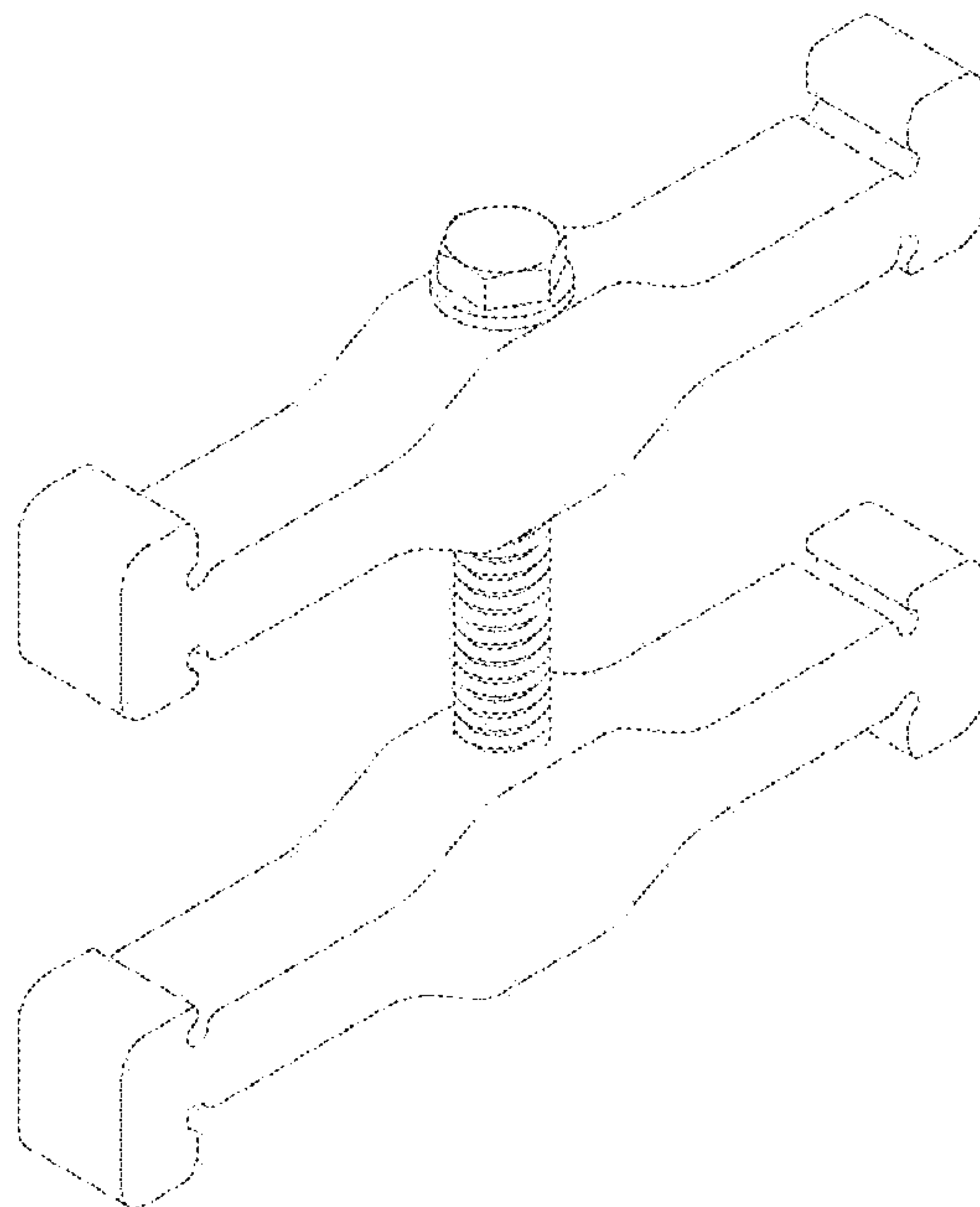
(57) **CLAIM**

The ornamental design for a welding fixture, as shown and described.

**DESCRIPTION**

FIG. 1 is a perspective view of a welding fixture.  
FIG. 2 is a front view of the welding fixture of FIG. 1.  
FIG. 3 is a top view of the welding fixture of FIG. 1; and,  
FIG. 4 is an end view of the welding fixture of FIG. 1.

**1 Claim, 4 Drawing Sheets**



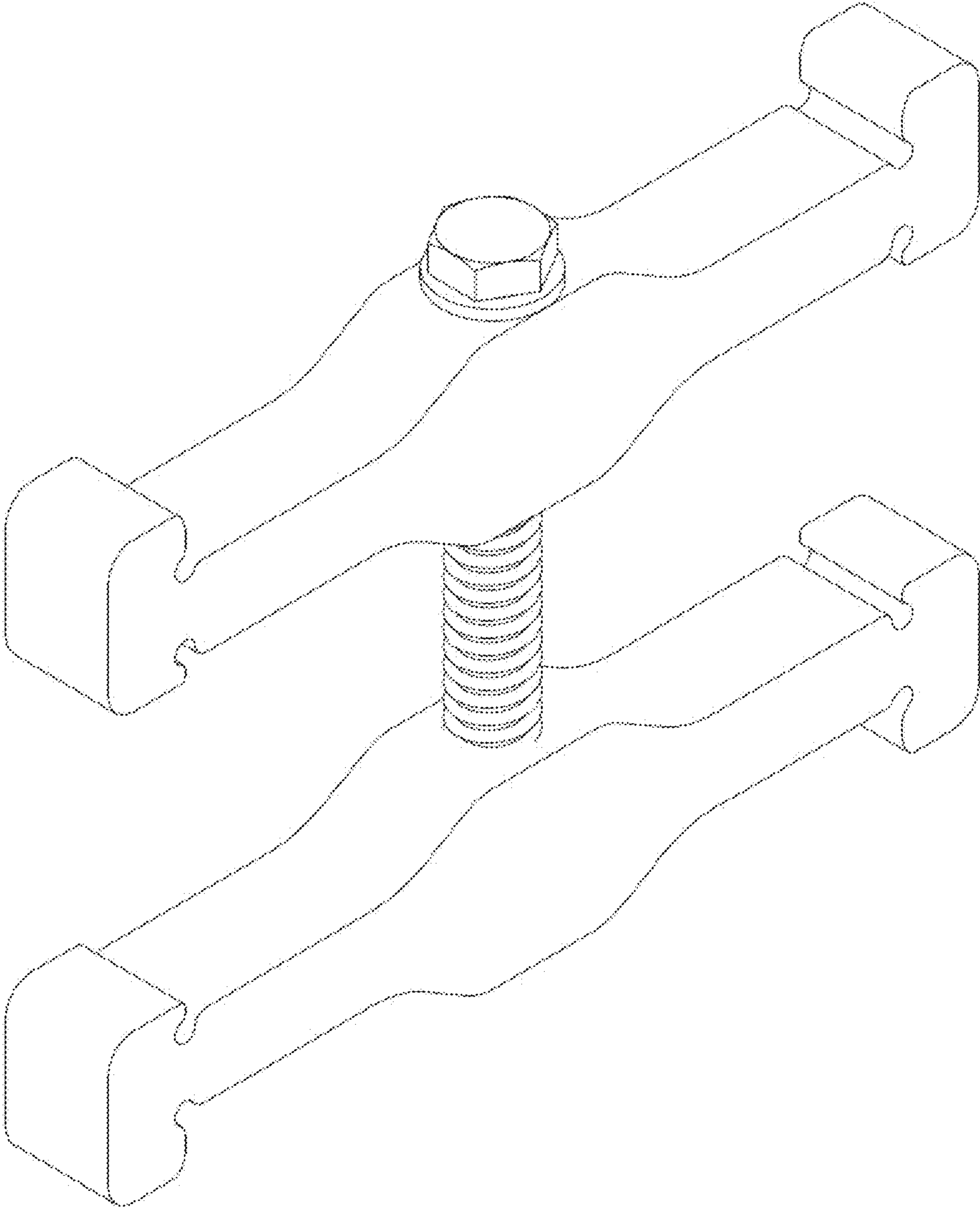


FIGURE 1

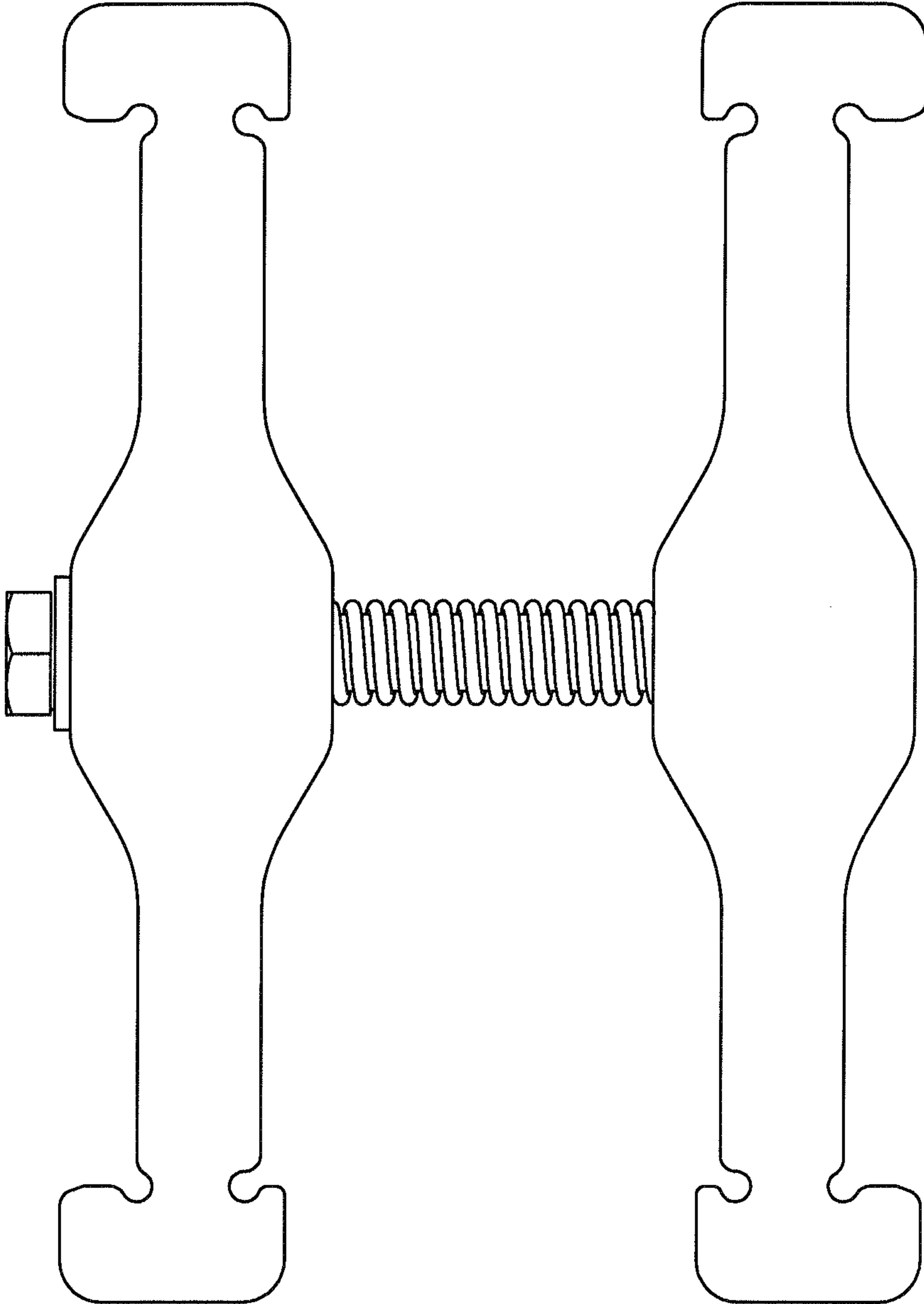


FIG. 2

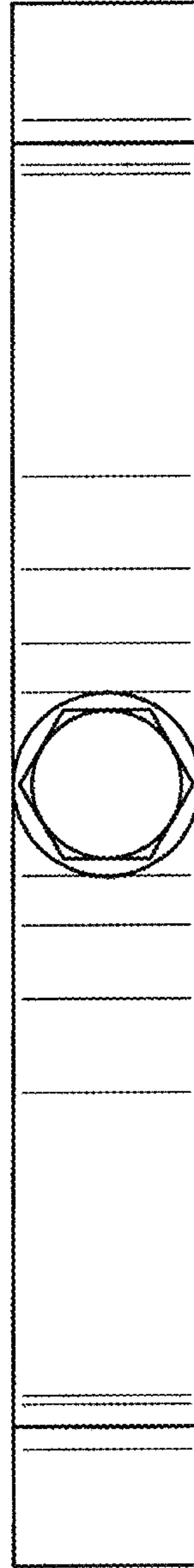


FIG. 3

FIG. 4

