



US00D823909S

(12) **United States Design Patent**
Kawakami et al.

(10) **Patent No.:** **US D823,909 S**
(45) **Date of Patent:** **** Jul. 24, 2018**

(54) **DRILL HEAD**
(71) Applicant: **SUMITOMO ELECTRIC HARDMETAL CORP.**, Itami-shi (JP)
(72) Inventors: **Yuma Kawakami**, Itami (JP); **Yoshiji Sato**, Mie-gun (JP); **Ryusei Hamada**, Mie-gun (JP)
(73) Assignee: **SUMITOMO ELECTRIC HARDMETAL CORP.**, Itami-shi (JP)
(**) Term: **15 Years**

(21) Appl. No.: **29/596,415**
(22) Filed: **Mar. 8, 2017**

(30) **Foreign Application Priority Data**
Sep. 9, 2016 (JP) 2016-019606
(51) **LOC (11) Cl.** **15-09**
(52) **U.S. Cl.**
USPC **D15/139; D8/70**
(58) **Field of Classification Search**
USPC D8/86, 70; D15/138, 139, 140
CPC B23B 35/00; B23B 51/009; B23B 51/02;
B23B 51/06; B23C 3/02; B23C 5/10;
B23C 5/28
See application file for complete search history.

(56) **References Cited**
U.S. PATENT DOCUMENTS
3,003,224 A * 10/1961 Ribich B23B 51/02
407/115
5,049,009 A * 9/1991 Beck B23C 5/10
407/34
5,176,476 A * 1/1993 Duffy B23C 5/10
407/61
D345,794 S * 4/1994 Hood D24/144

5,957,631 A * 9/1999 Hecht B23B 51/00
408/144
6,105,467 A * 8/2000 Baker B23B 51/02
451/48
6,164,876 A * 12/2000 Cordovano B23C 5/10
407/59

(Continued)

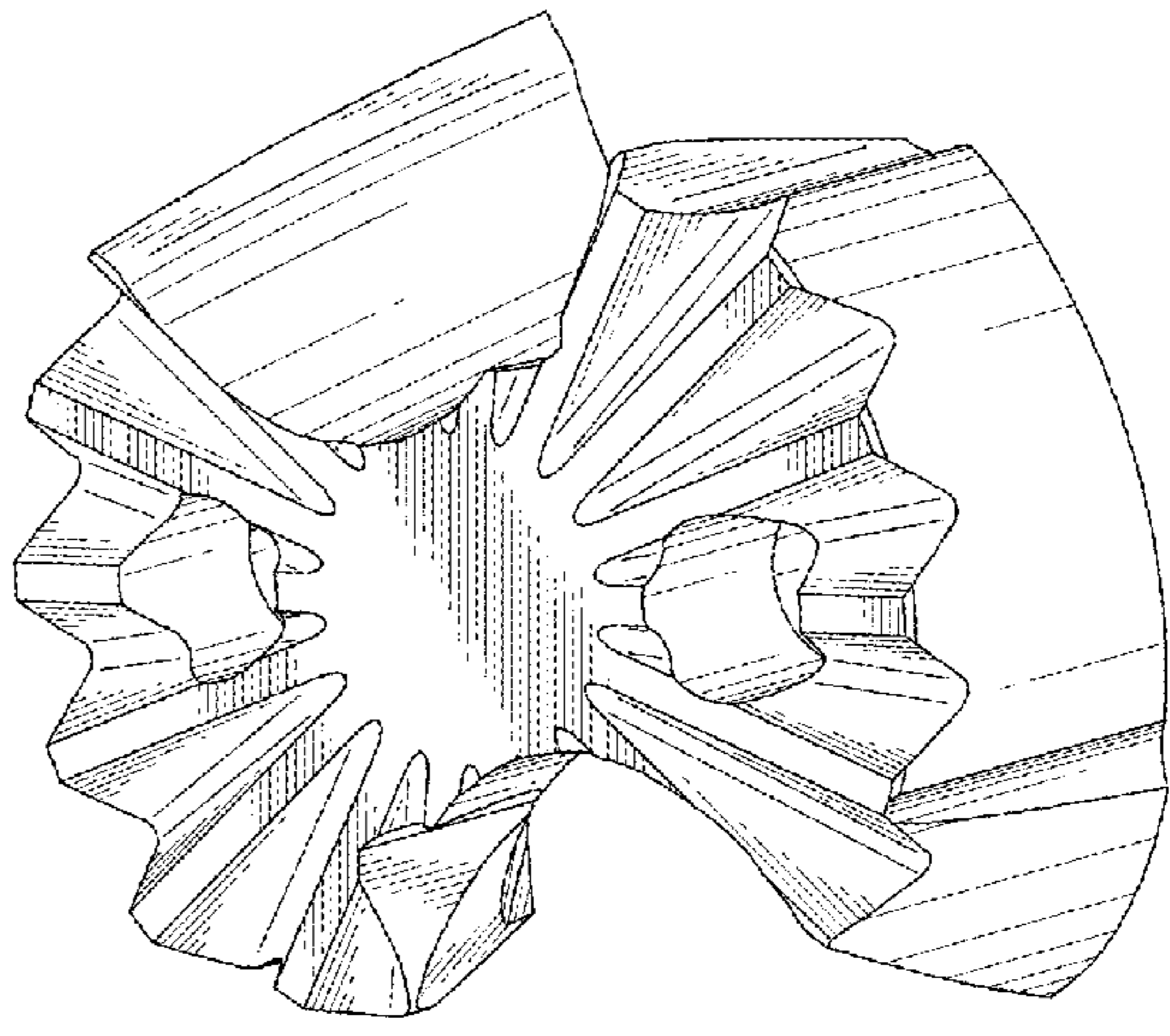
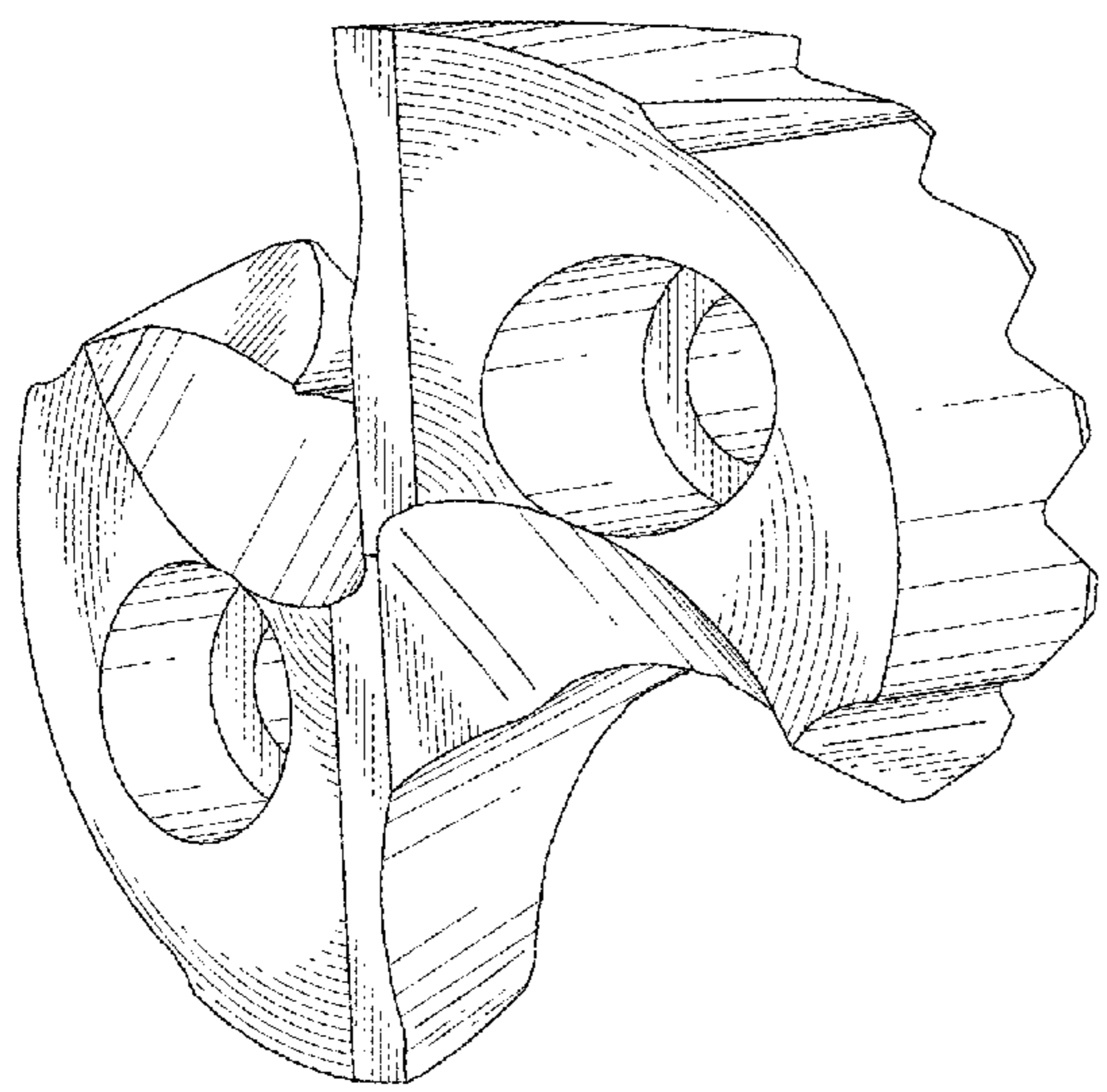
Primary Examiner — Darlington Ly
(74) *Attorney, Agent, or Firm* — Venable LLP; Michael A. Sartori; Miguel A. Lopez

(57) **CLAIM**
The ornamental design for a drill head, as shown and described.

DESCRIPTION

FIG. 1 is a front elevation view of a drill head showing our new design;
FIG. 2 is a rear elevation view thereof;
FIG. 3 is a top plan view thereof;
FIG. 4 is a bottom plan view thereof;
FIG. 5 is a right side elevation view thereof;
FIG. 6 is a left side elevation view thereof;
FIG. 7 is a cross-sectional view thereof taken along cut line 7-7 in FIG. 1;
FIG. 8 is a cross-sectional view thereof taken along cut line 8-8 in FIG. 1;
FIG. 9 is a cross-sectional view thereof taken along cut line 9-9 in FIG. 5;
FIG. 10 is a cross-sectional view thereof taken along cut line 10-10 in FIG. 5;
FIG. 11 is a cross-sectional view thereof taken along cut line 11-11 in FIG. 5;
FIG. 12 is a front perspective view thereof;
FIG. 13 is a rear perspective view thereof; and,
FIG. 14 is a front perspective view thereof attached to a drill holder by a fixing member for cutting a workpiece. The broken line showing of the drill holder in FIG. 14 is provided for the purpose of illustrating environmental structure and forms no part of the claimed design.

1 Claim, 7 Drawing Sheets



(56)

References Cited

U.S. PATENT DOCUMENTS

D447,495 S *	9/2001	Strobel	D15/139	D797,170 S *	9/2017	Sharivker	D15/139
6,991,409 B2 *	1/2006	Noland	B23C 5/10	D798,921 S *	10/2017	Frota de Souza Filho ..		D15/139
				407/59	D798,922 S *	10/2017	Frota de Souza Filho ..		D15/139
7,186,063 B2 *	3/2007	Volokh	B23C 5/10	9,802,258 B2 *	10/2017	Kauper	B23B 51/009
				407/53	9,878,379 B2 *	1/2018	Davis	B23C 5/10
RE40,297 E *	5/2008	Berglund	B23B 51/02	9,879,483 B2 *	1/2018	Zuern	E21B 10/445
				408/1 R	2002/0031409 A1 *	3/2002	Sato	B23C 5/10
7,407,350 B2 *	8/2008	Hecht	B23B 51/02					407/53
				407/34	2006/0067797 A1 *	3/2006	Calamia	B23C 5/10
7,455,129 B2 *	11/2008	Widmann	B23B 51/02					407/53
				175/385	2007/0098506 A1 *	5/2007	Flynn	B23C 5/003
7,717,654 B2 *	5/2010	Cirino	B23B 51/02					407/53
				408/226	2007/0154272 A1 *	7/2007	Wells	B23C 5/10
7,861,807 B2 *	1/2011	Probst	B23B 51/02					407/54
				175/415	2009/0087275 A1 *	4/2009	Goulbourne	B23B 51/02
D665,431 S *	8/2012	Pan	D15/139					408/230
8,430,609 B2 *	4/2013	Frejd	B23B 51/02	2010/0209201 A1 *	8/2010	Davis	B23C 5/10
				408/226					407/60
8,714,890 B2 *	5/2014	Davancens	B23B 35/00	2010/0215447 A1 *	8/2010	Davis	B23C 5/10
				407/118					407/115
8,784,018 B2 *	7/2014	Päbel	B23B 51/02	2011/0085862 A1 *	4/2011	Shaffer	B23C 5/10
				408/230					407/54
D758,463 S *	6/2016	Kikuchi	D15/139	2011/0217132 A1 *	9/2011	Wells	B23C 5/10
D760,826 S *	7/2016	Nakamura	D15/139					407/54
D774,573 S *	12/2016	Sharivker	D15/139	2012/0183363 A1 *	7/2012	Davis	B23C 5/10
D781,941 S *	3/2017	Nakamura	D15/139					407/54
D792,489 S *	7/2017	Sharivker	D15/139	2012/0282044 A1 *	11/2012	Volokh	B23C 5/10
D793,460 S *	8/2017	Sharivker	D15/139					407/53
D796,563 S *	9/2017	Sharivker	D15/139	2014/0308086 A1 *	10/2014	Kauper	B23B 51/02
									408/227
					2016/0263664 A1 *	9/2016	Son	B23B 51/02
					2018/0029140 A1 *	2/2018	Gonen	B23B 51/02

* cited by examiner

FIG.1

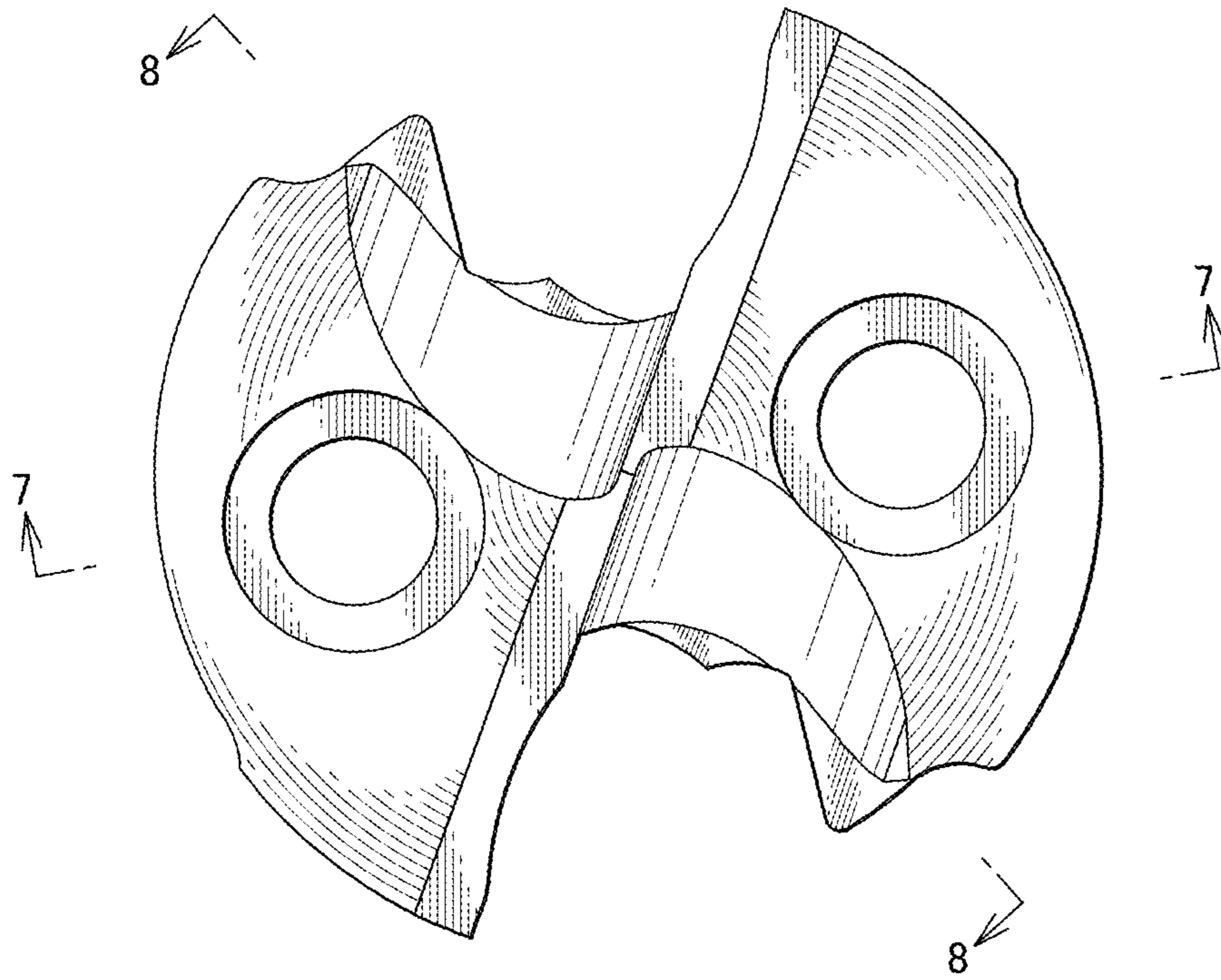


FIG.2

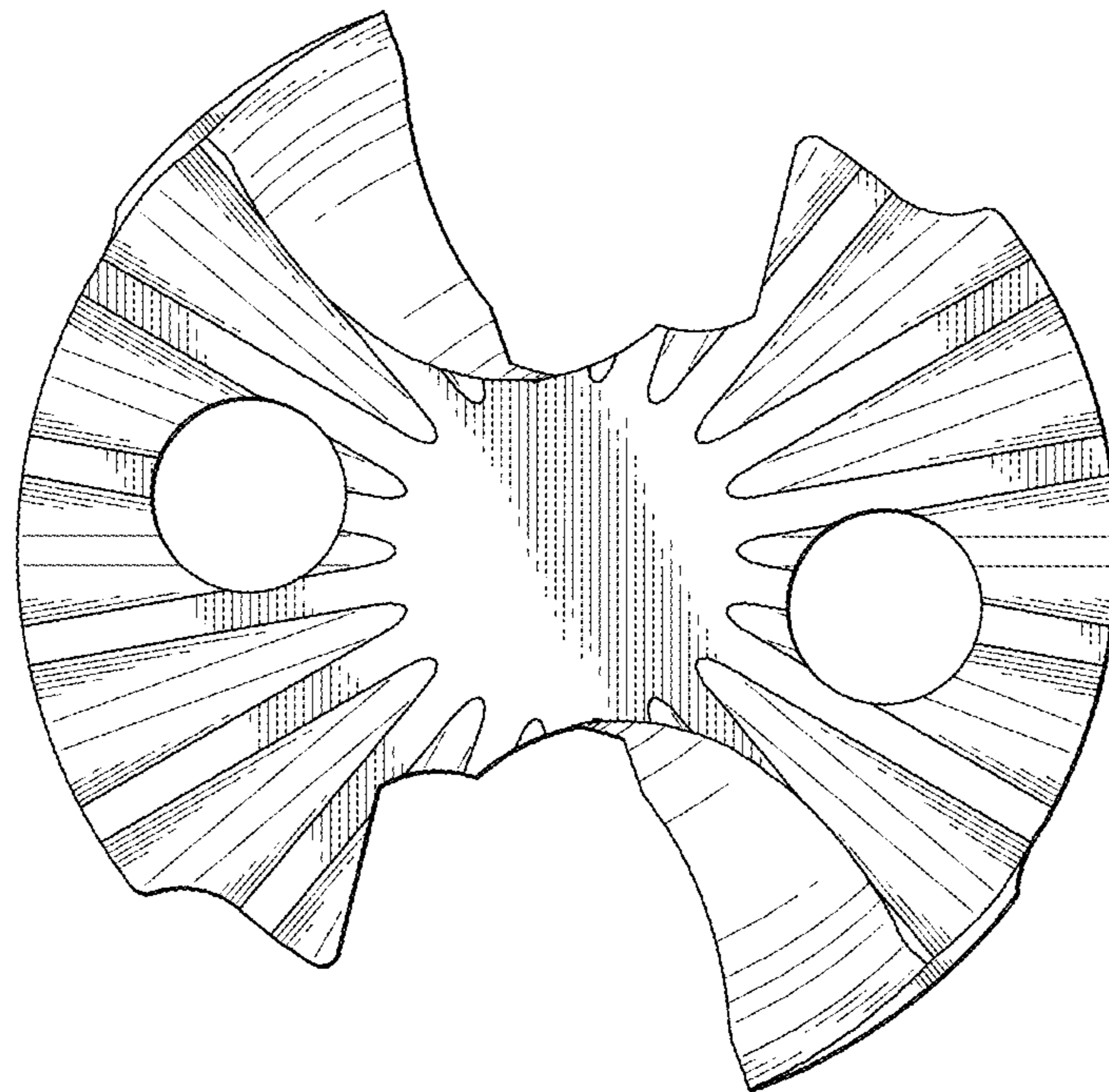


FIG.3

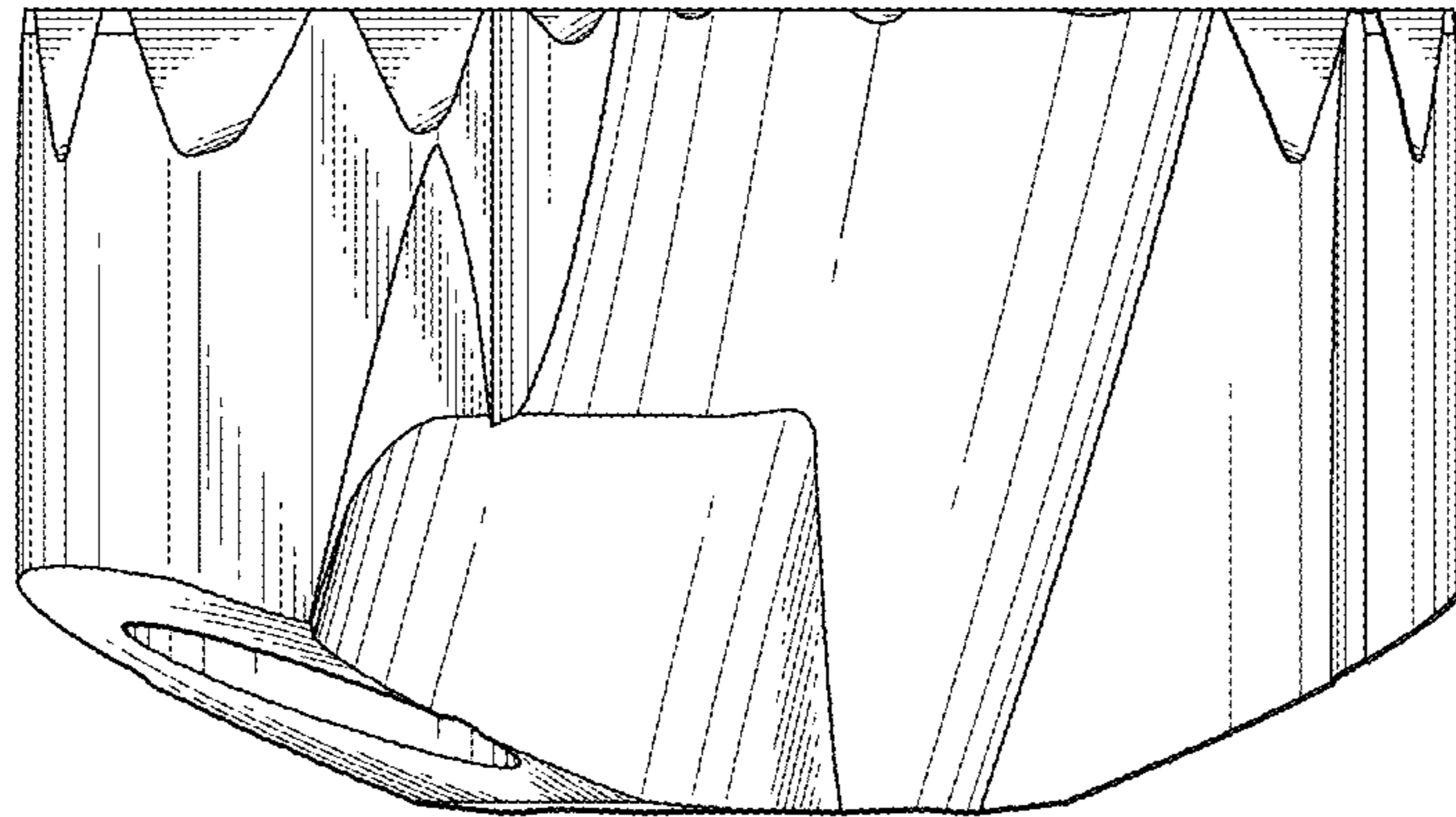


FIG.4

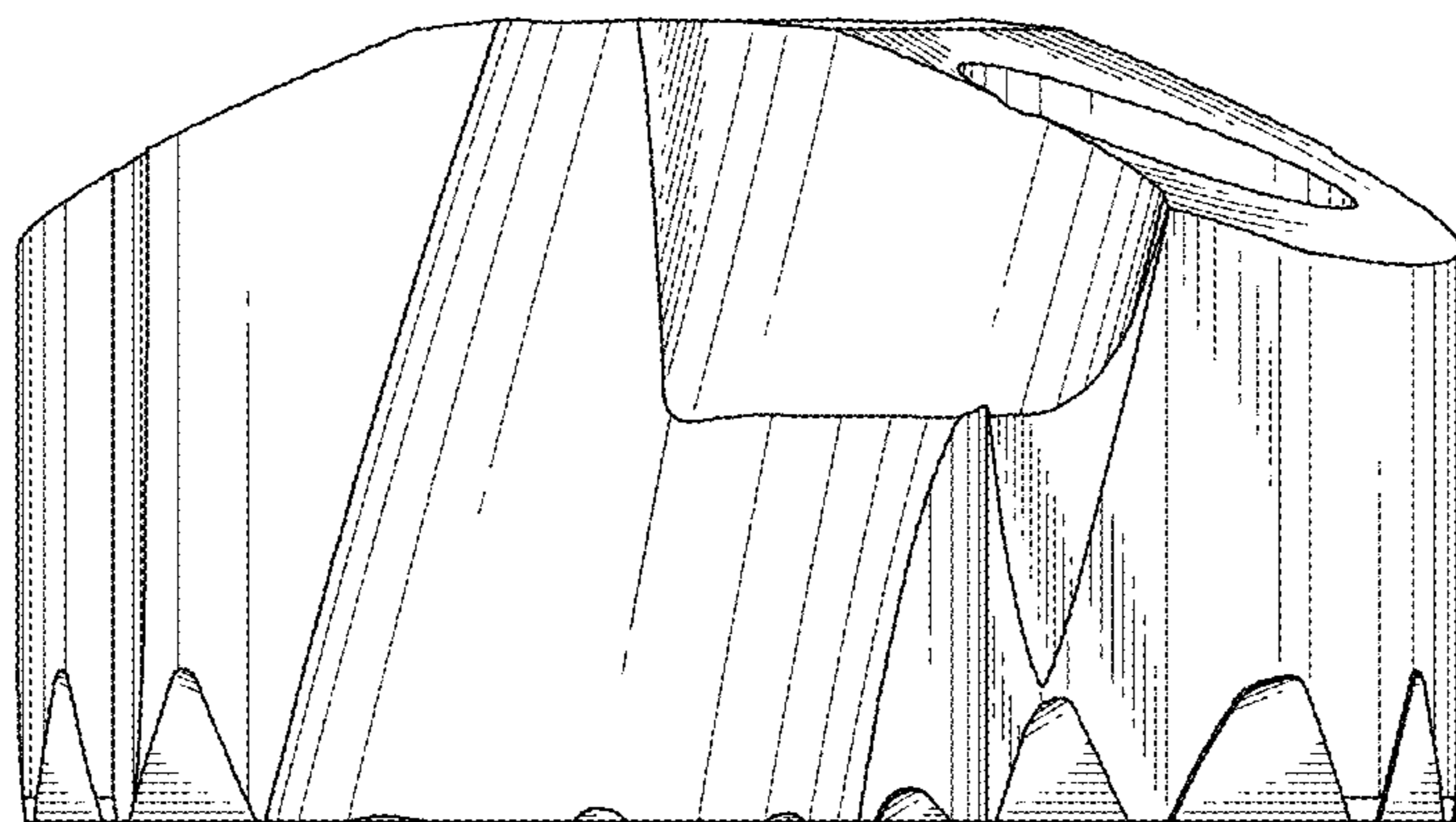


FIG.5

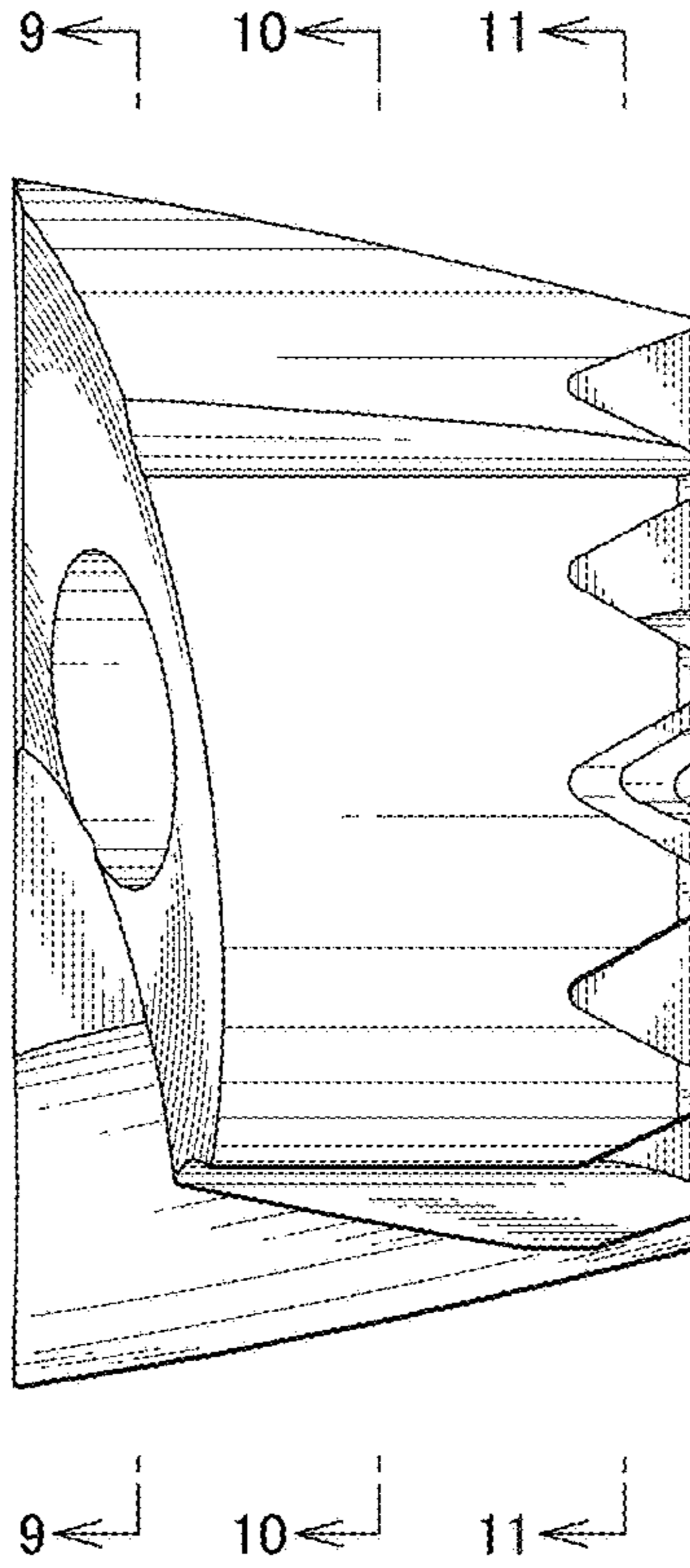


FIG.6

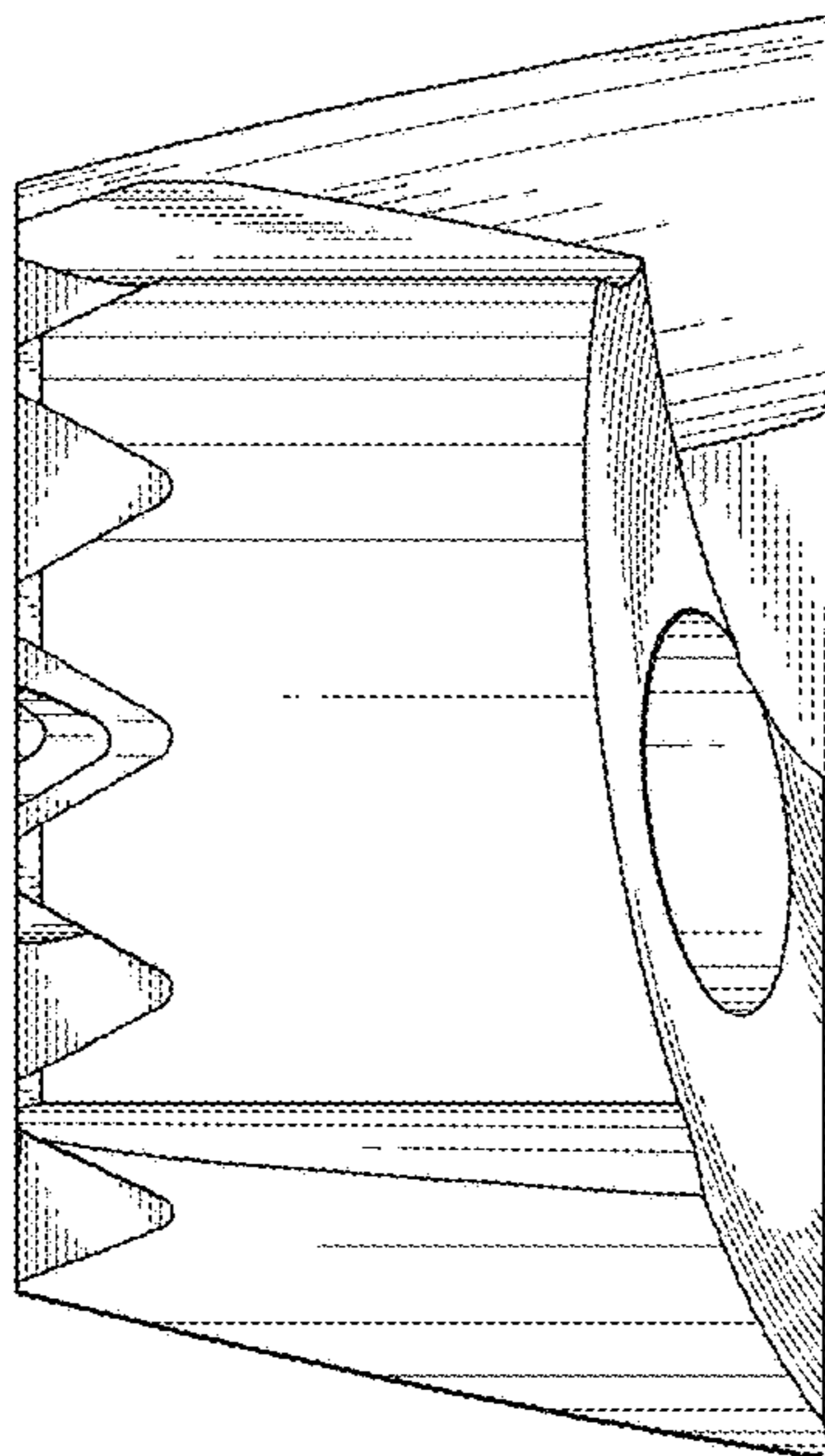


FIG.7

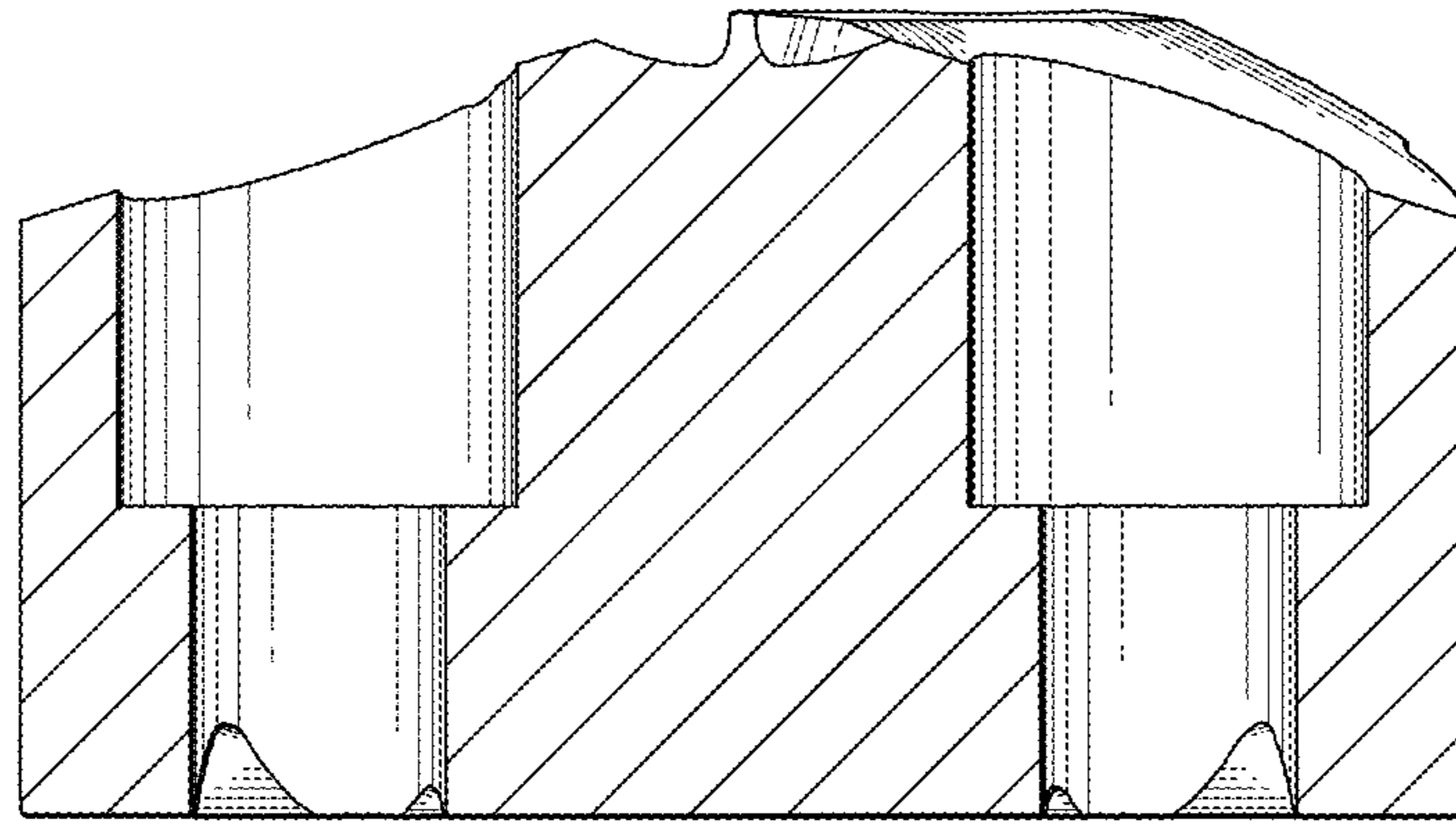


FIG.8

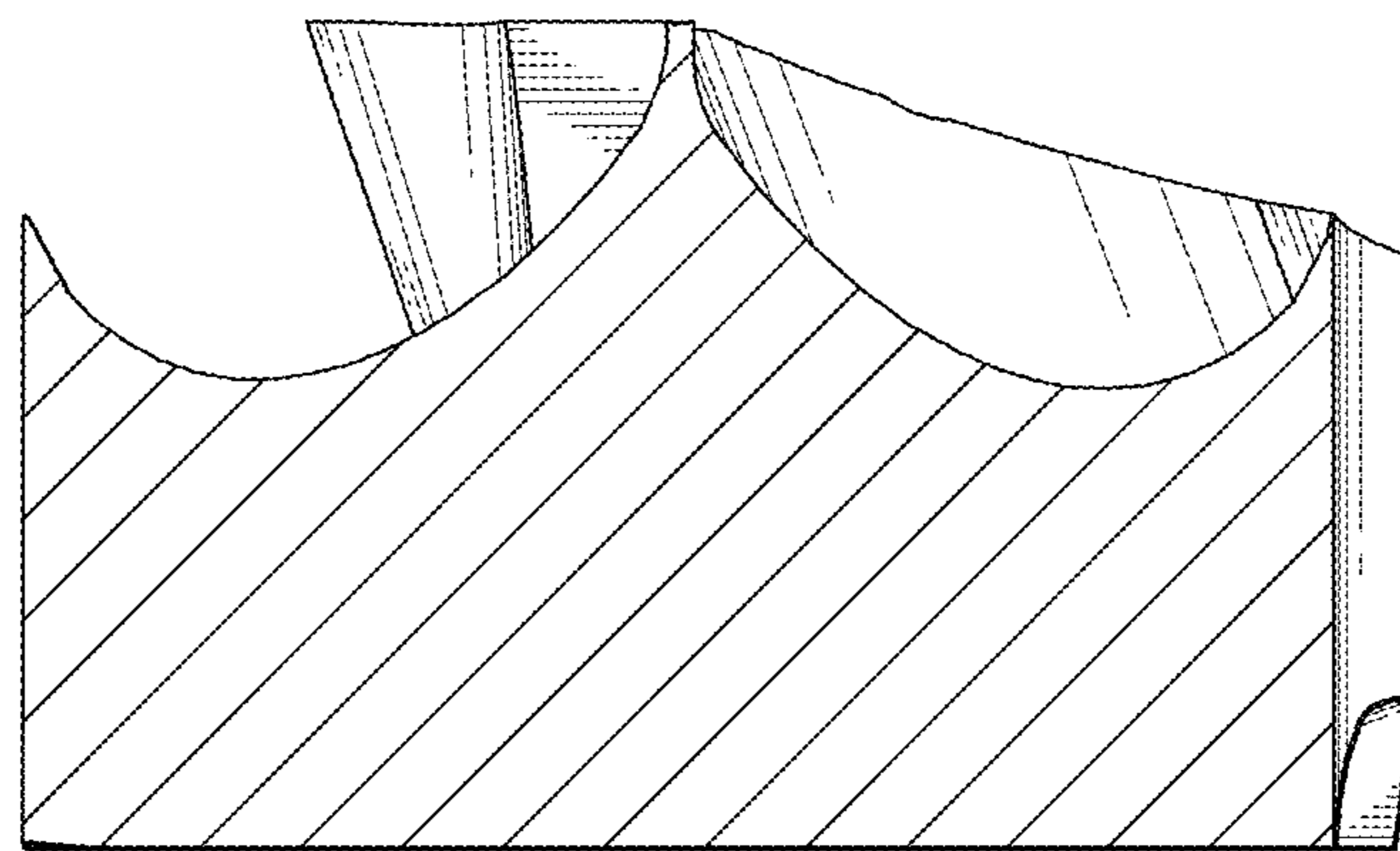


FIG.9

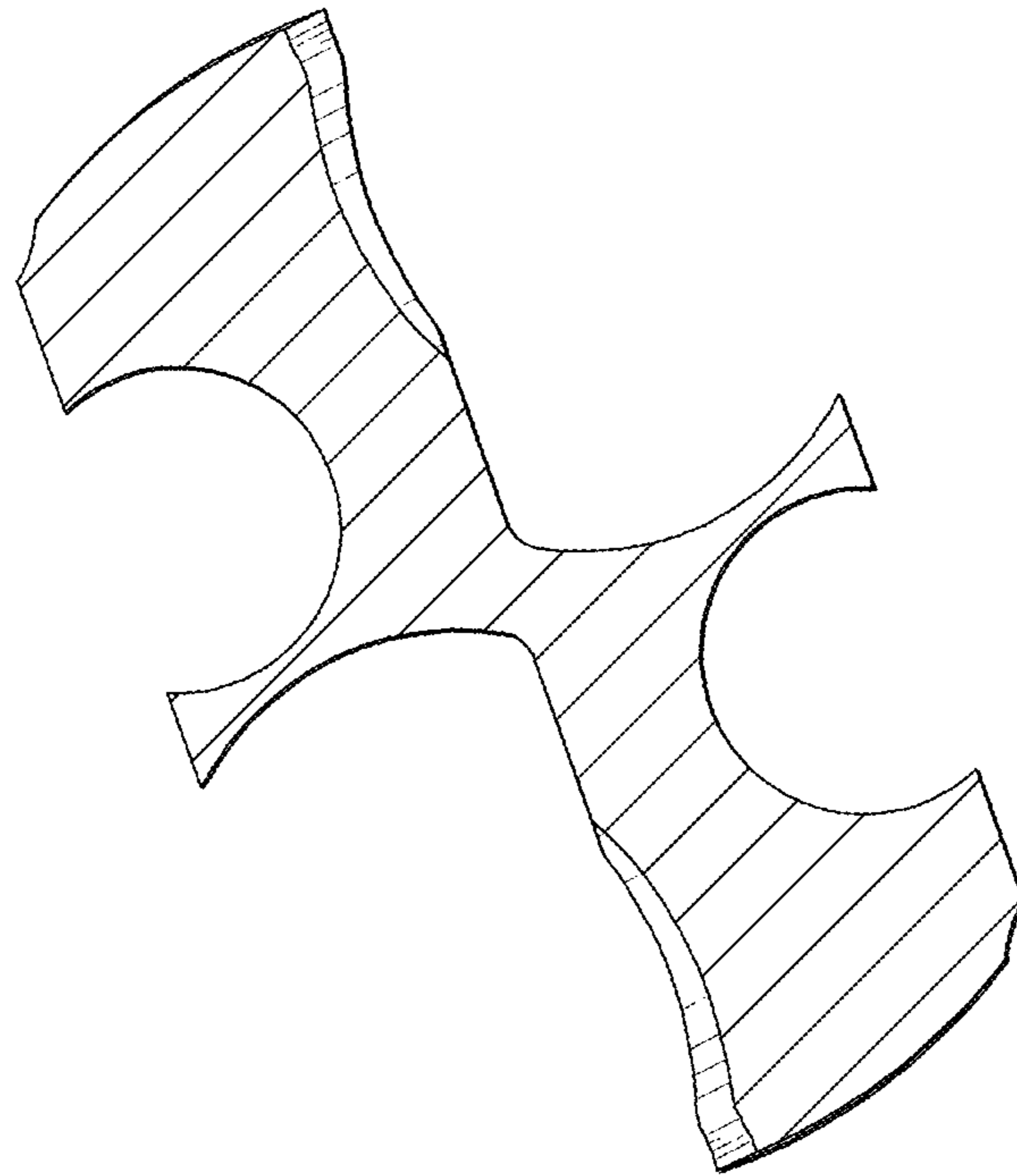


FIG.10

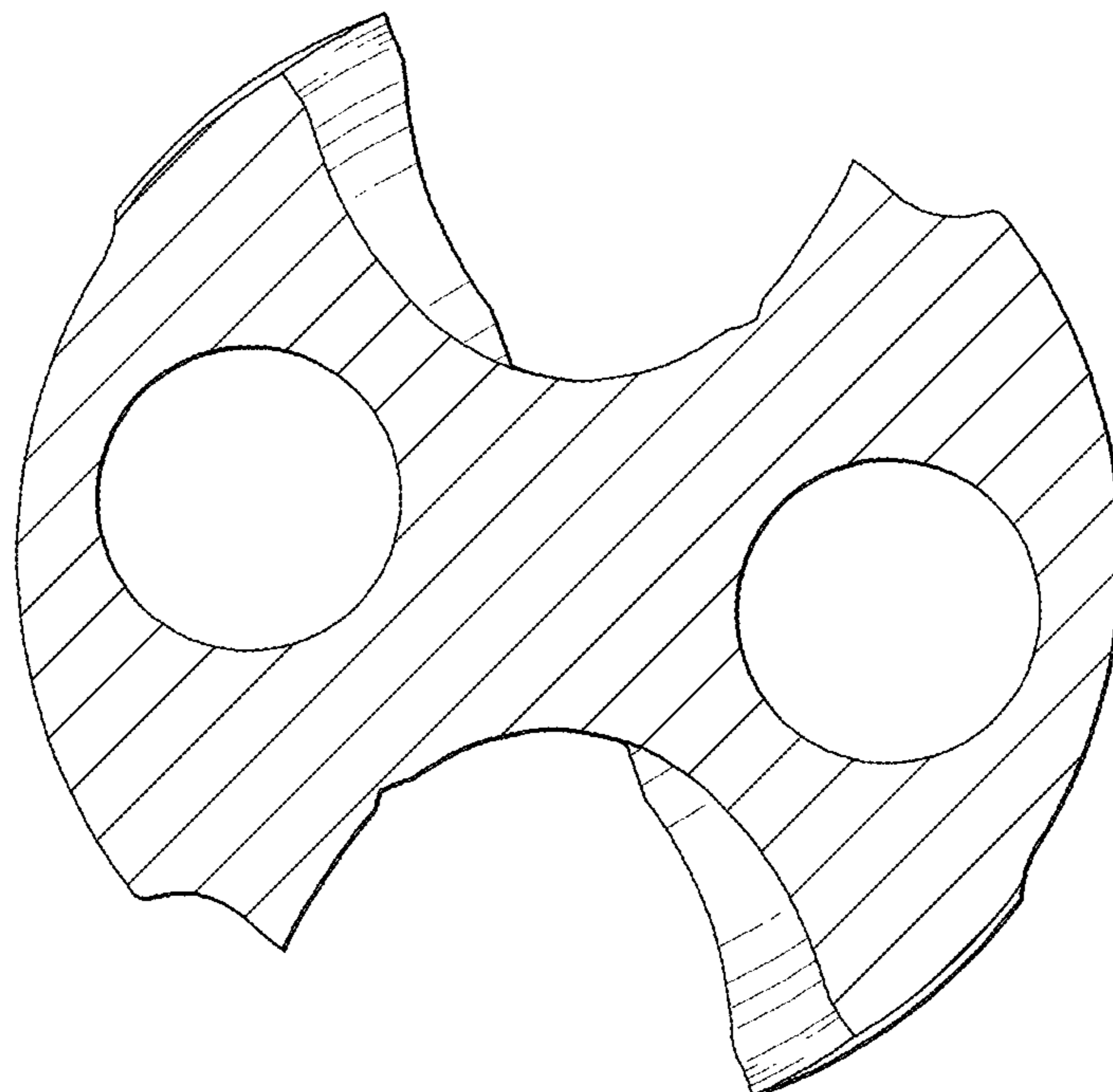


FIG.11

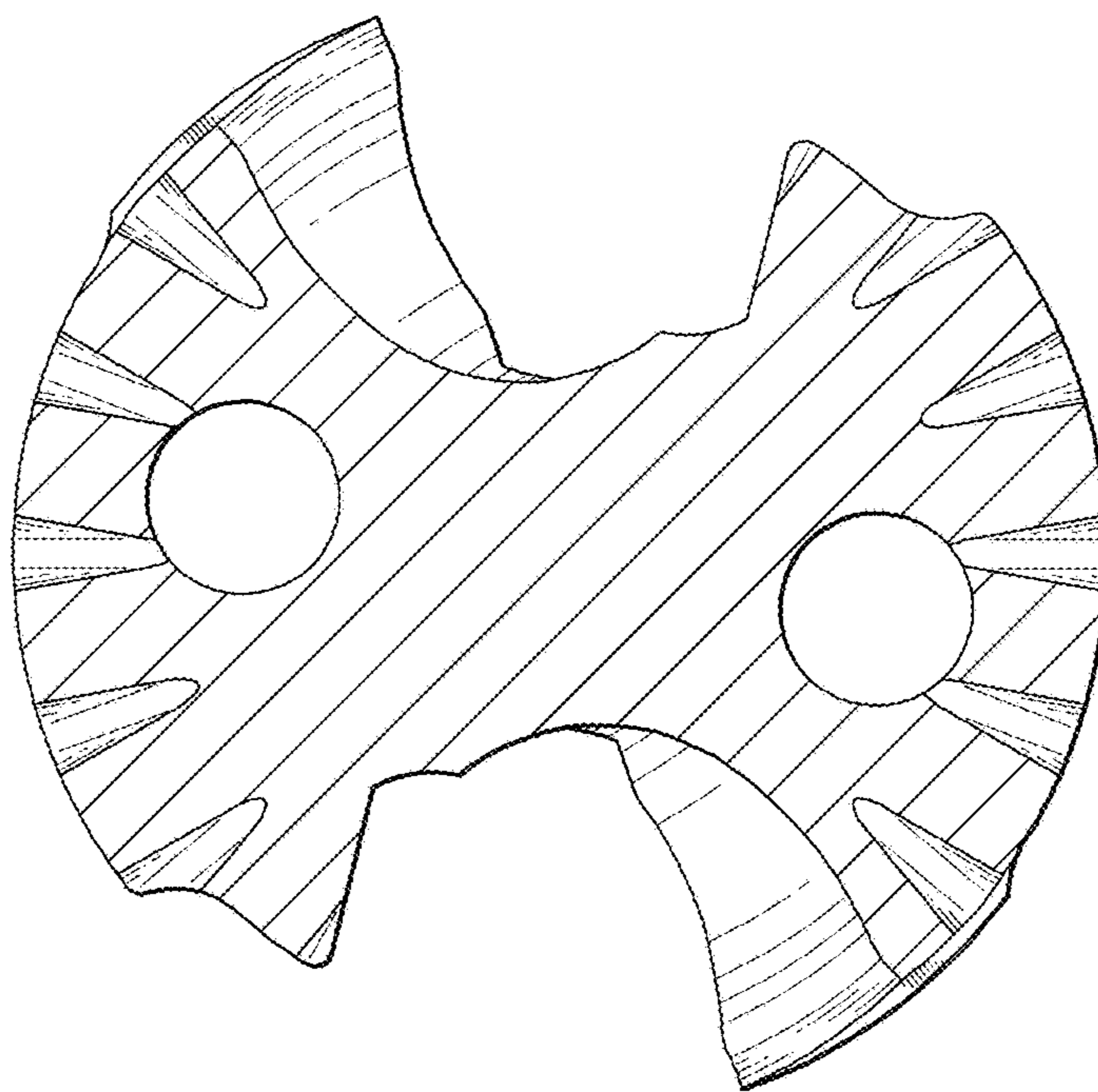


FIG.12

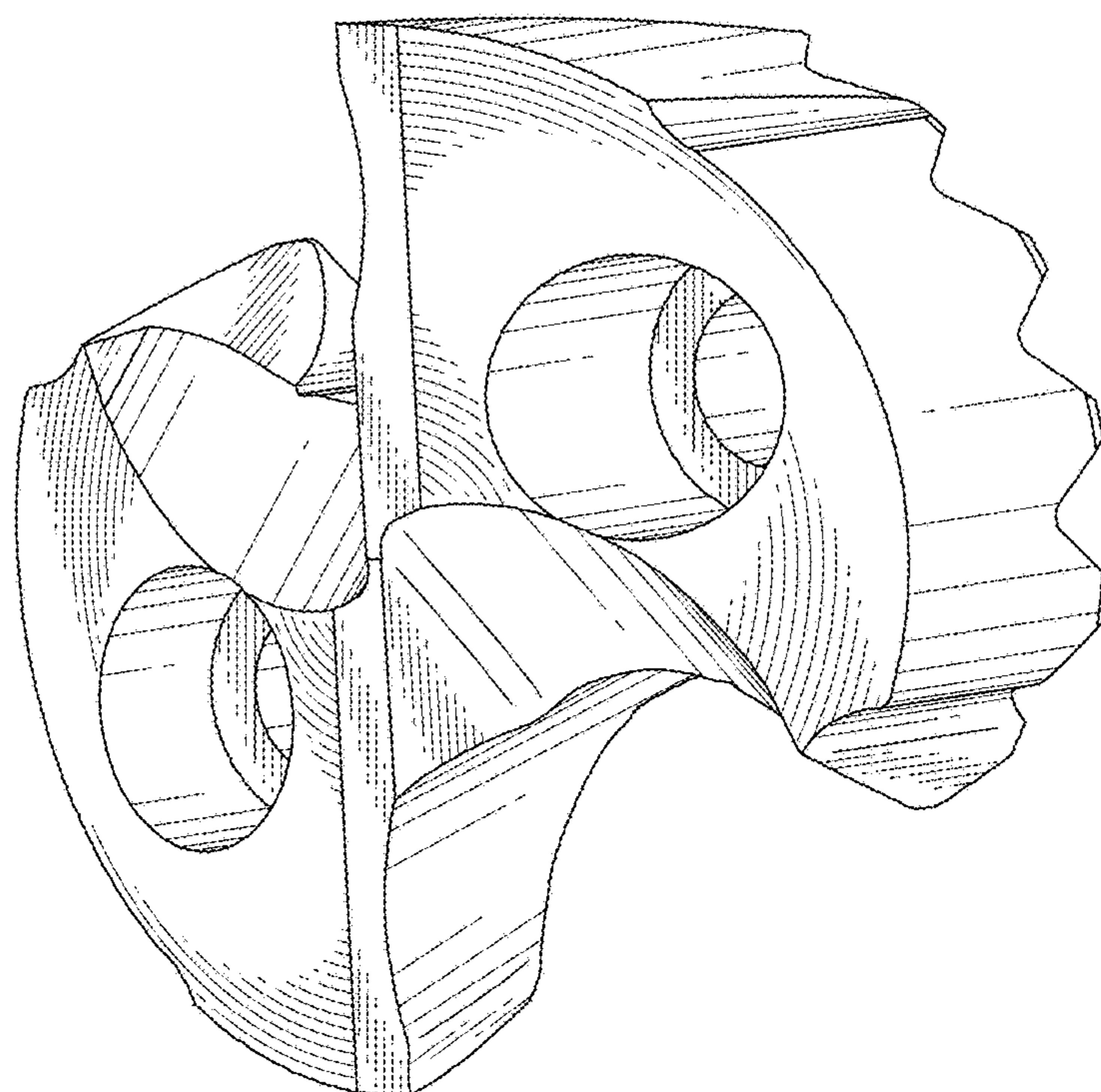


FIG.13

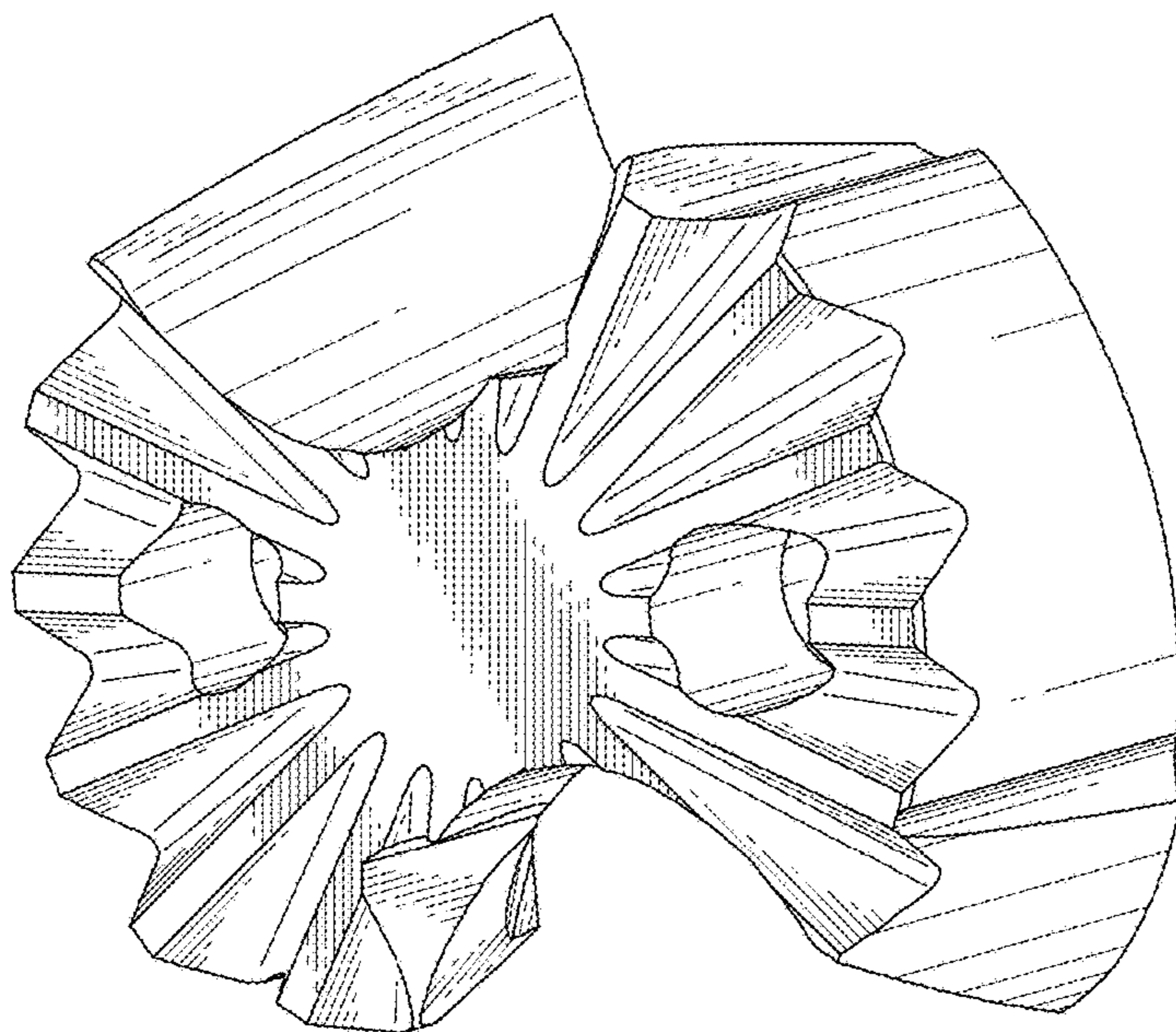


FIG.14

