



US00D823908S

(12) **United States Design Patent**  
**Osterholm**

(10) **Patent No.:** **US D823,908 S**

(45) **Date of Patent:** **\*\* Jul. 24, 2018**

(54) **ROCK DRILL BIT**

(71) Applicant: **ATLAS COPCO SECOROC AB,**  
Fagersta (SE)

(72) Inventor: **Thomas Osterholm,** Fagersta (SE)

(73) Assignee: **ATLAS COPCO SECOROC AB,**  
Fagersta (SE)

(\*\*) Term: **15 Years**

(21) Appl. No.: **29/546,613**

(22) Filed: **Nov. 24, 2015**

(30) **Foreign Application Priority Data**

May 29, 2015 (EM) ..... 2710236-0001-0006

(51) **LOC (11) Cl.** ..... **15-09**

(52) **U.S. Cl.**  
USPC ..... **D15/139**

(58) **Field of Classification Search**  
USPC ..... D8/6; D15/28, 132, 138, 39, 140  
CPC ..... E21B 10/36; E21B 10/38; E21B 10/46;  
E21B 10/56  
See application file for complete search history.

(56) **References Cited**

**U.S. PATENT DOCUMENTS**

- 3,918,538 A \* 11/1975 Bender ..... E21B 10/26  
175/417
- 4,817,852 A \* 4/1989 Hill ..... B23K 20/129  
228/113
- 4,862,976 A \* 9/1989 Meek ..... E21B 4/06  
175/296
- 4,919,221 A \* 4/1990 Pascale ..... E21B 10/36  
173/132
- 5,890,551 A \* 4/1999 Liljebrand ..... E21B 10/38  
175/414
- 6,039,127 A \* 3/2000 Myers ..... E21B 10/38  
175/425
- D454,143 S \* 3/2002 Åsberg ..... D15/139

- D496,948 S \* 10/2004 Charland ..... D15/139
- 6,799,648 B2 \* 10/2004 Brandenburg ..... B22D 19/06  
175/393
- 7,117,939 B1 \* 10/2006 Hawley ..... E21B 10/36  
166/99
- 7,281,594 B2 \* 10/2007 Hadin ..... E21B 10/36  
175/320

(Continued)

**OTHER PUBLICATIONS**

A15003\_Urval av borrhkronor fran produktkatalog 2003 from a catalogue issued in 2003 by Atlas Copco; 5 pages.

(Continued)

*Primary Examiner* — Patricia A Palasik

(74) *Attorney, Agent, or Firm* — Knobbe, Martens, Olson & Bear LLP

(57) **CLAIM**

The ornamental design for a rock drill bit, as shown and described.

**DESCRIPTION**

FIG. 1 is top perspective view of a rock drill bit, showing my new design.

FIG. 2 is a bottom perspective view thereof.

FIG. 3 is a bottom plan view thereof.

FIG. 4 is a top plan view thereof.

FIG. 5 is a right side elevational view thereof.

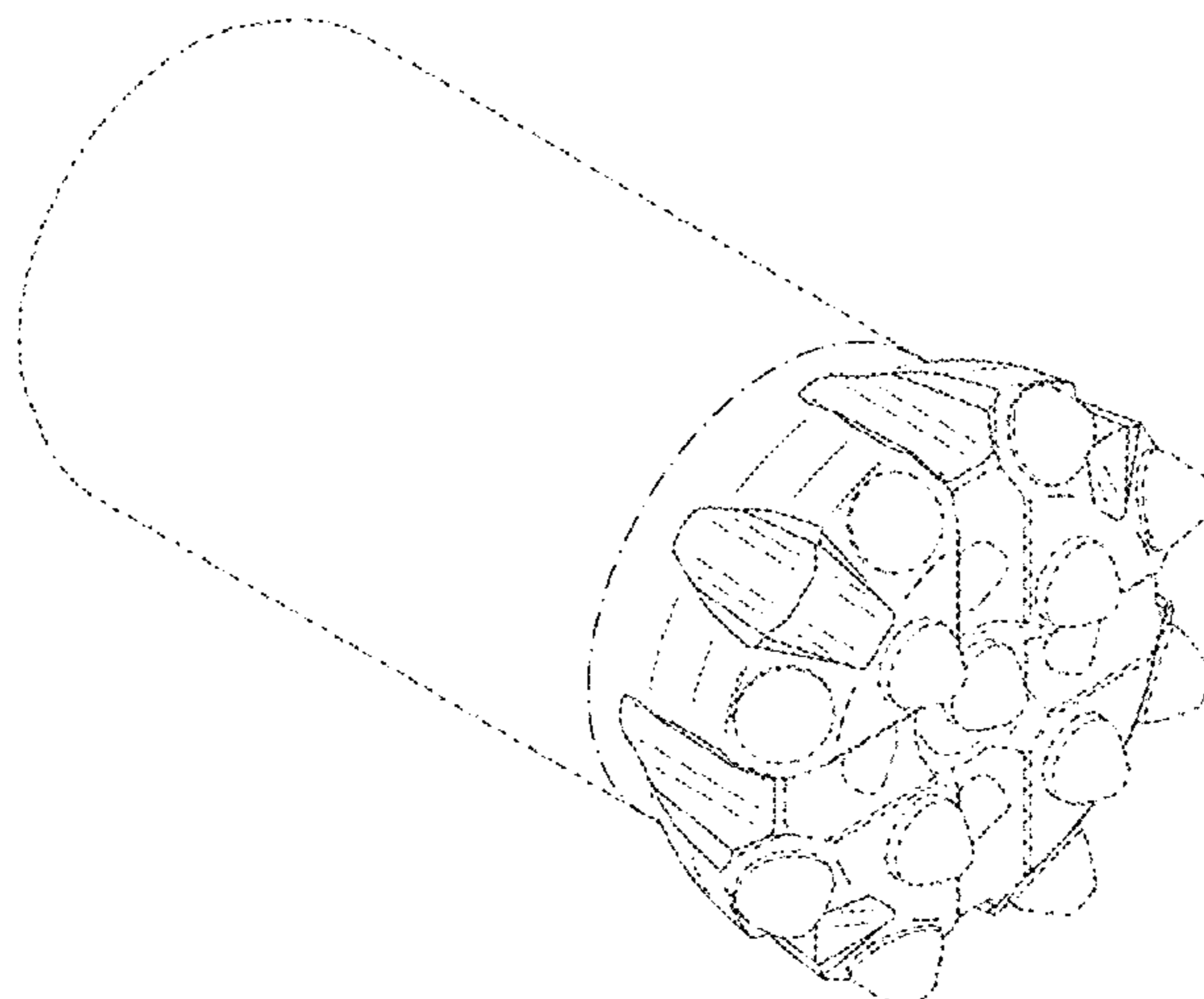
FIG. 6 is a left side elevational view thereof.

FIG. 7 is a front elevational view thereof; and,

FIG. 8 is a rear elevational view thereof.

The evenly-broken dash-dash lines in the views depict environmental features only and form no part of the claimed design. The broken dot-dash lines in the views define the peripheral boundaries of the claimed design and are not part of the claimed design.

**1 Claim, 8 Drawing Sheets**



(56)

**References Cited**

U.S. PATENT DOCUMENTS

7,290,626	B2 *	11/2007	Terlet .....	E21B 10/38 175/296
7,296,641	B2 *	11/2007	Hadin .....	E21B 10/56 175/418
D611,512	S *	3/2010	Sundin .....	D15/139
D611,970	S *	3/2010	Sundin .....	D15/139
D705,827	S *	5/2014	Hammargren .....	D15/139
D725,164	S *	3/2015	Guerriero .....	D15/139
2002/0153174	A1 *	10/2002	Linden .....	E21B 10/56 175/426
2004/0040752	A1 *	3/2004	Brandenberg .....	B22D 19/06 175/420.1
2006/0060389	A1 *	3/2006	Hadin .....	E21B 10/56 175/415
2006/0162965	A1 *	7/2006	Hadin .....	E21B 10/36 175/296
2007/0137900	A1 *	6/2007	Bjork .....	E21B 10/38 175/414

OTHER PUBLICATIONS

Atlas Copco Catalogue dated May 2015; Product Area—Tophammer; Sevcoroc Tophammer equipment-product catalogue; Drifting, Tunnelling and Bolting; pp. 39, 40, 46, 53, 56, 64, 65, 76, 81, 82, 87, 92, 95, 97 and 98.  
Product Catalogue Sandvik Mining; Sandvik Top Hammer Rock Drilling Tools; issued 2013; 112 pages.

Tasarim Yayina Itiraz Talep Formu: Opposition Form received from Turkish Patent Office dated Mar. 21, 2016 for Corresponding Turkish Application 2015/07944.

English Google machine Translation of Opposition Form Tasarim Yayina Itiraz Talep Formu.

Itiraz Konusu: Opposition Petition received from Turkish Patent Office for corresponding Turkish Application No. 2015/07944.

English Google machine Translation of Opposition Petition Itiraz Konusu.

Evidence Page included with Opposition: D0611970—Rock Drill Bit.

Australian Government Design Examination Report No. 1; Reference No. 171028; Design 20156038; ATLAS COPCO SECOROC AB; entitled ROCK DRILL BIT; dated Apr. 27, 2017.

Australian Government Certificate of Examination (Issuance), Reference No. 171028; Design 201516038; ATLAS COPCO SECOROC AB; entitled ROCK DRILL BIT; Registration No. 365591 dated Aug. 22, 2017.

Australian Government Design Examination Report No. 1; Reference No. 171029; Design 20156039; ATLAS COPCO SECOROC AB; entitled ROCK DRILL BIT; dated Apr. 27, 2017.

Australian Government Certificate of Examination (Issuance), Reference No. 171029; Design 201516039; ATLAS COPCO SECOROC AB; entitled ROCK DRILL BIT; Registration No. 365592 dated Aug. 22, 2017.

Australian Government Design Examination Report No. 1; Reference No. 171030; Design 20156040; ATLAS COPCO SECOROC AB; entitled ROCK DRILL BIT; dated Apr. 27, 2017.

Australian Government Certificate of Examination (Issuance), Reference No. 171030; Design 201516040; ATLAS COPCO SECOROC AB; entitled ROCK DRILL BIT; Registration No. 365593 dated Aug. 22, 2017.

\* cited by examiner

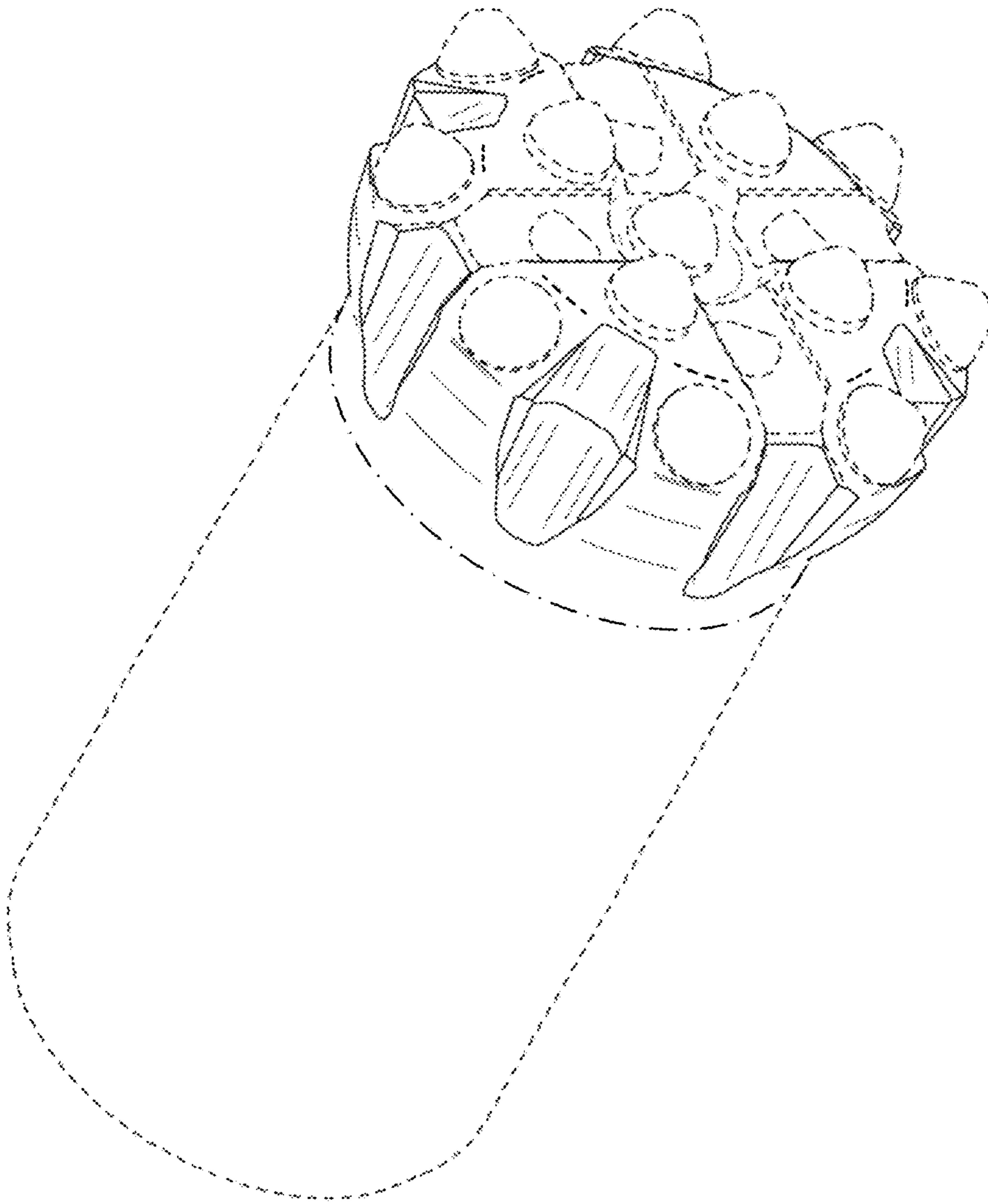


FIG. 1

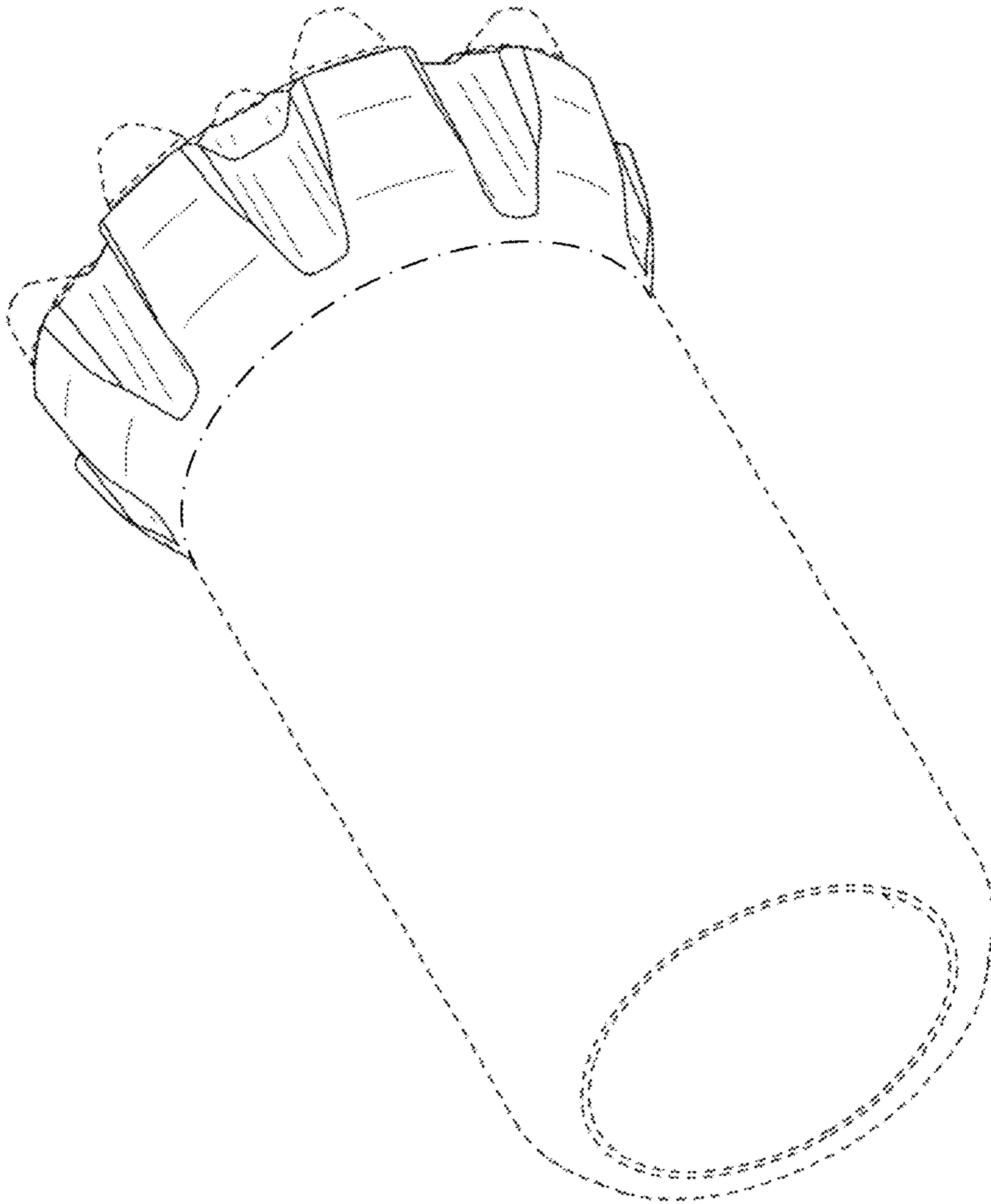
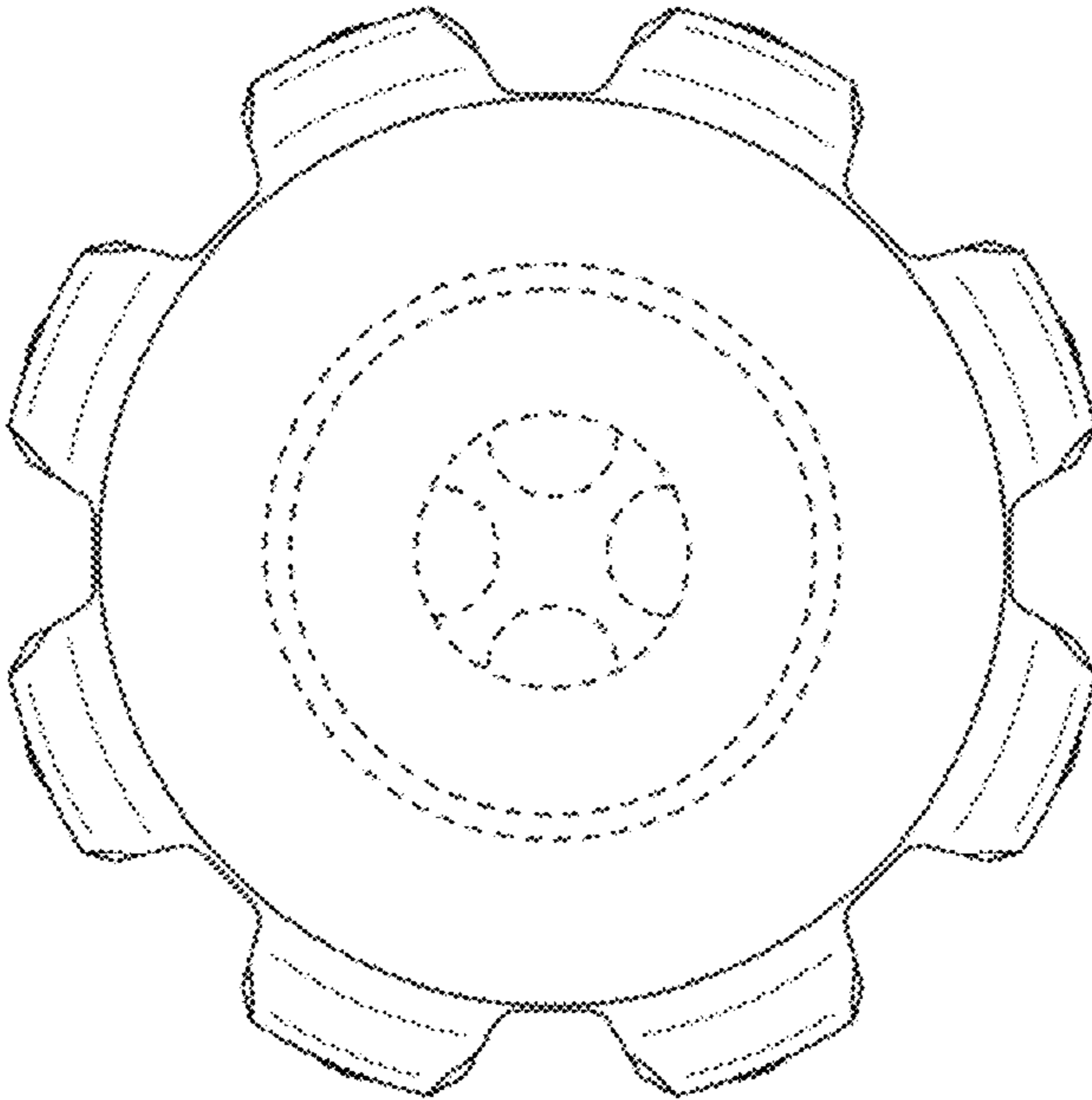


FIG. 2



*FIG. 3*

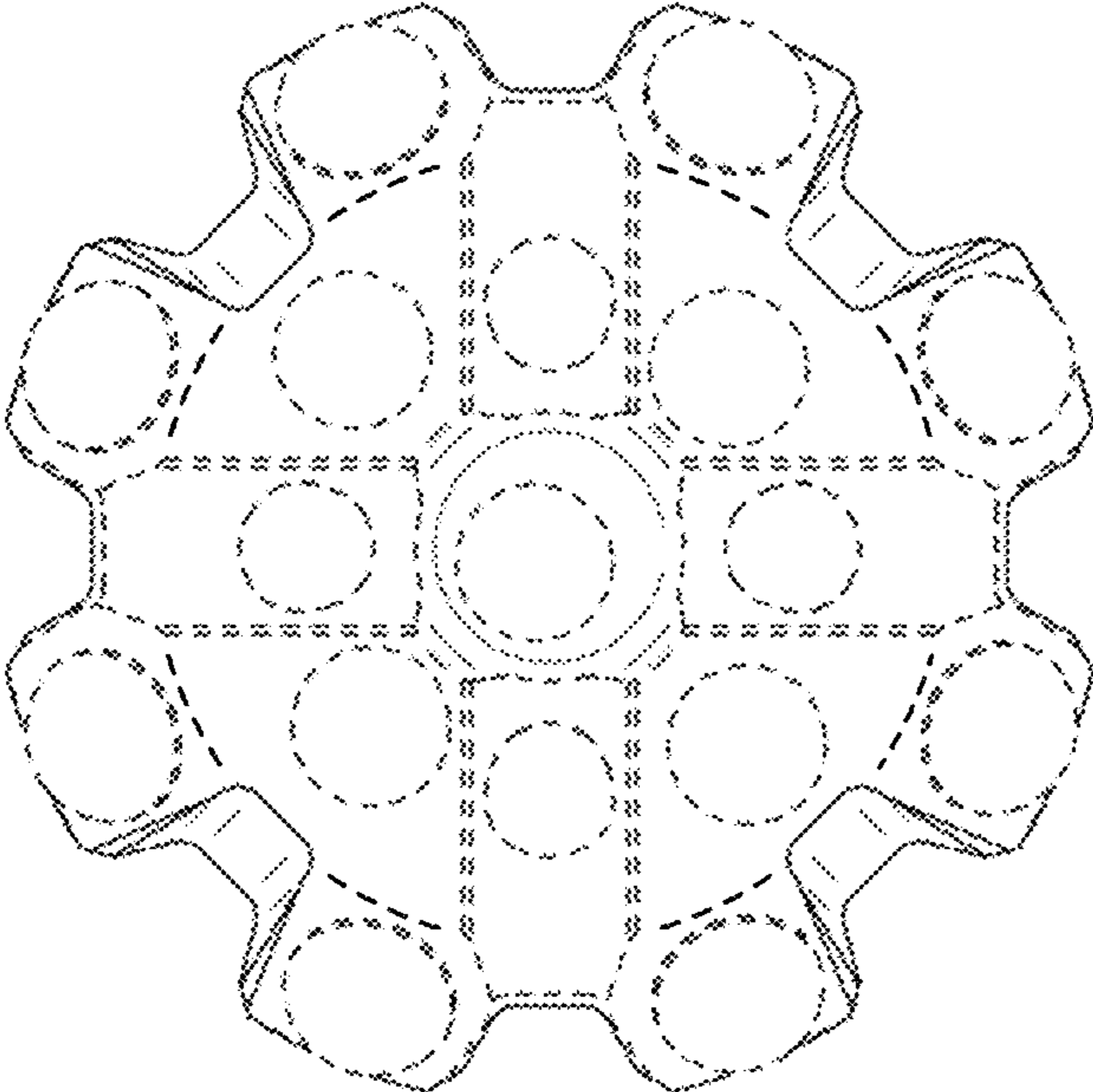


FIG. 4

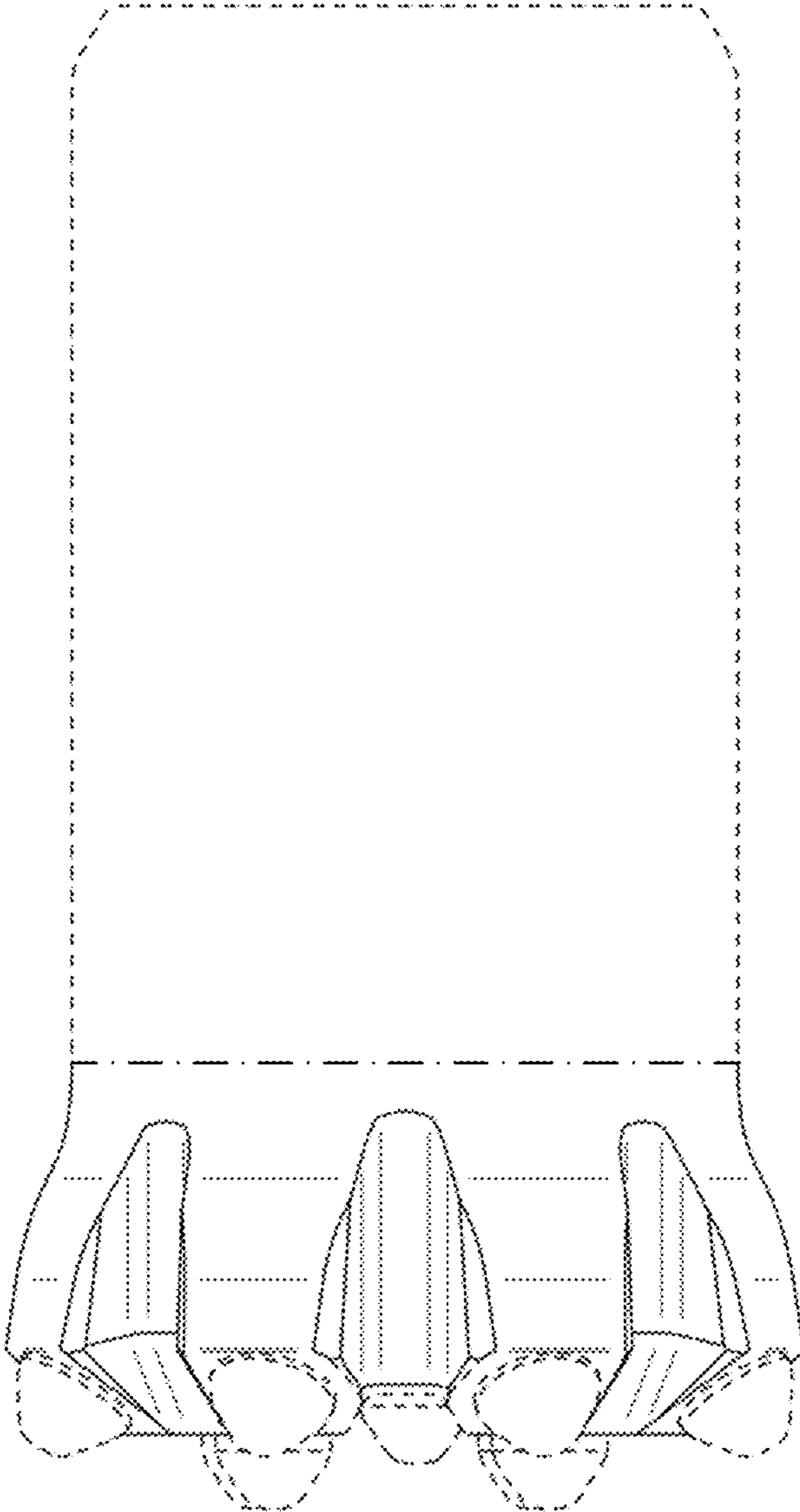


FIG. 5

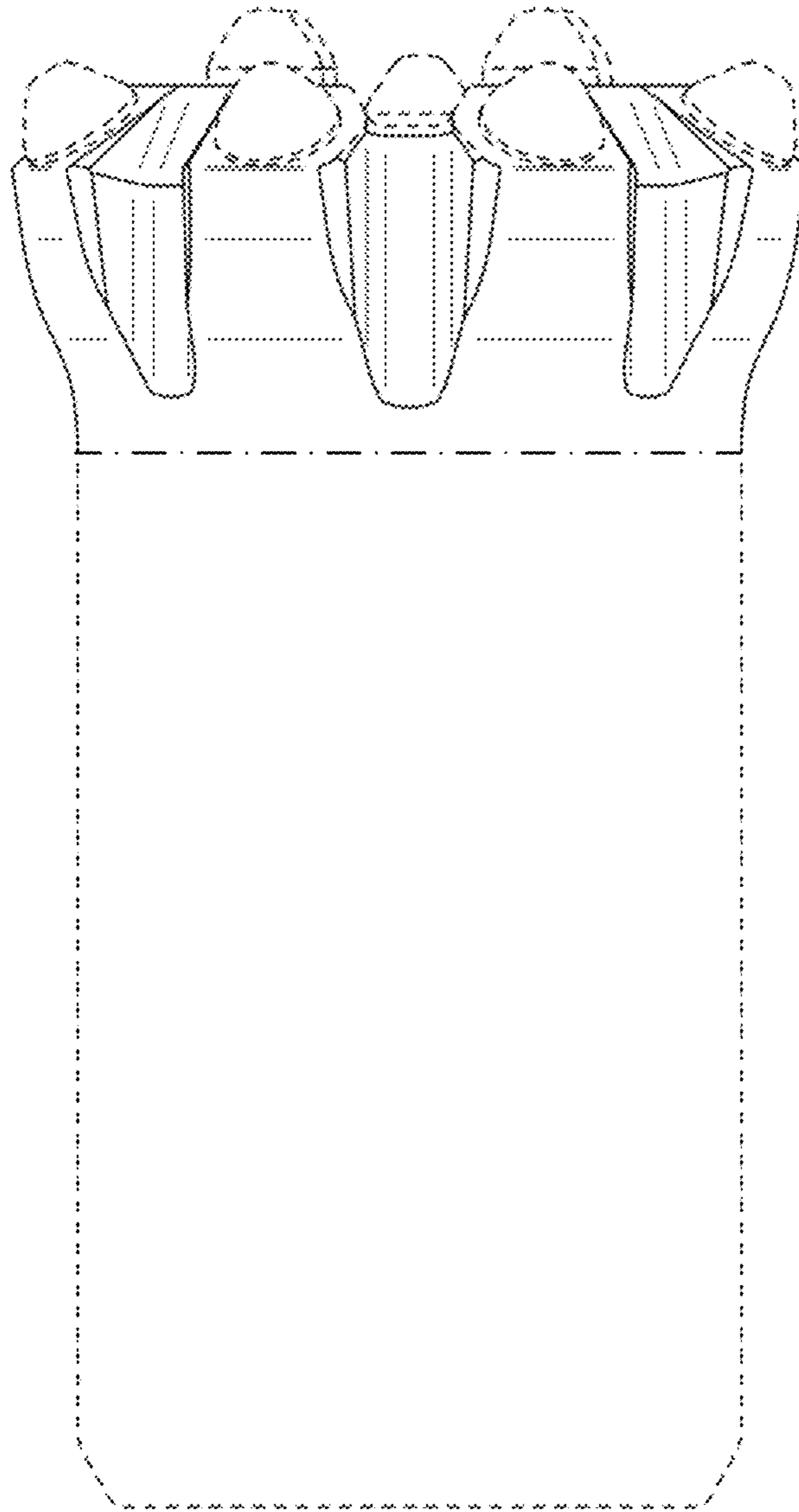


FIG. 6



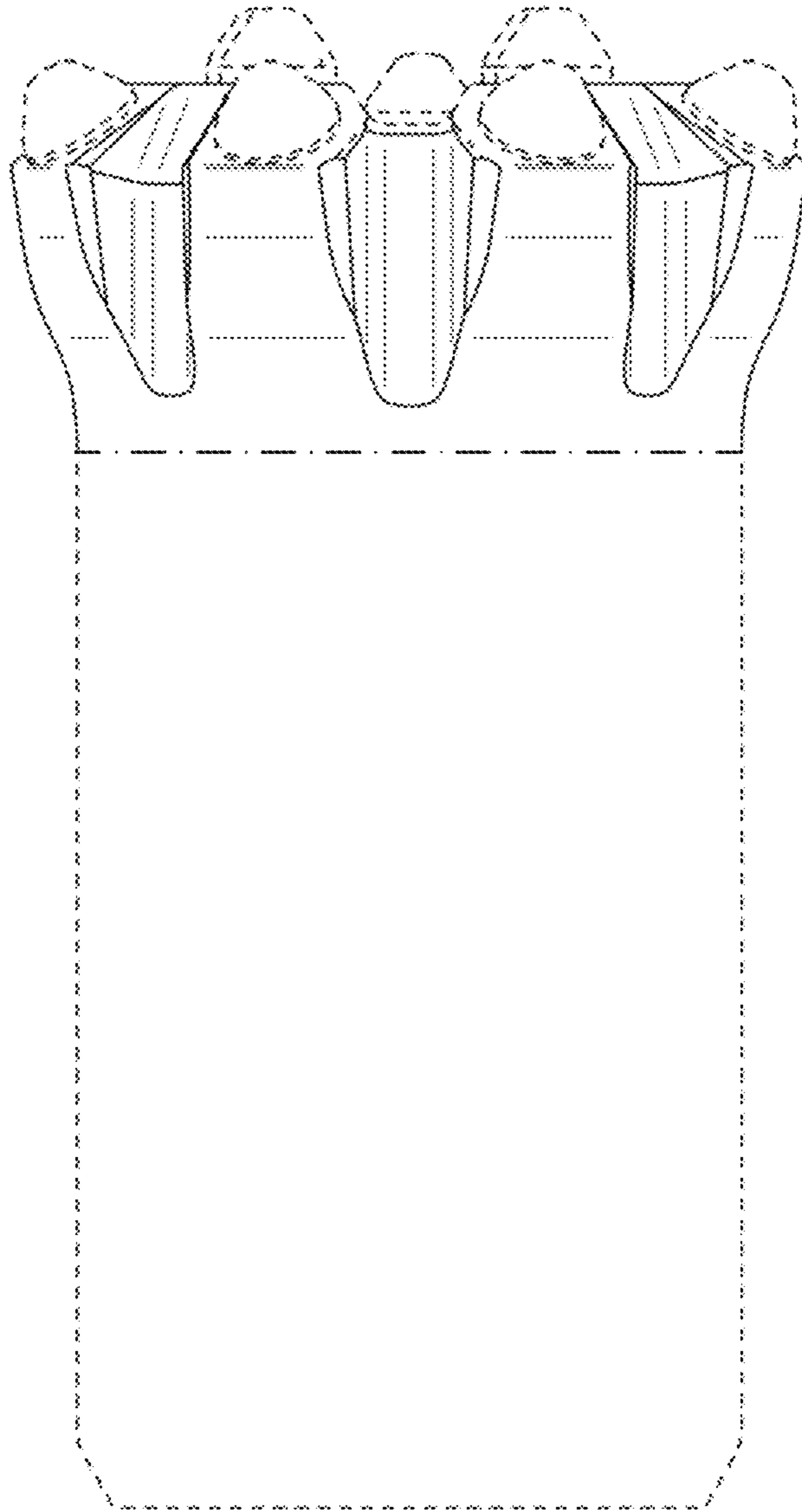


FIG. 7

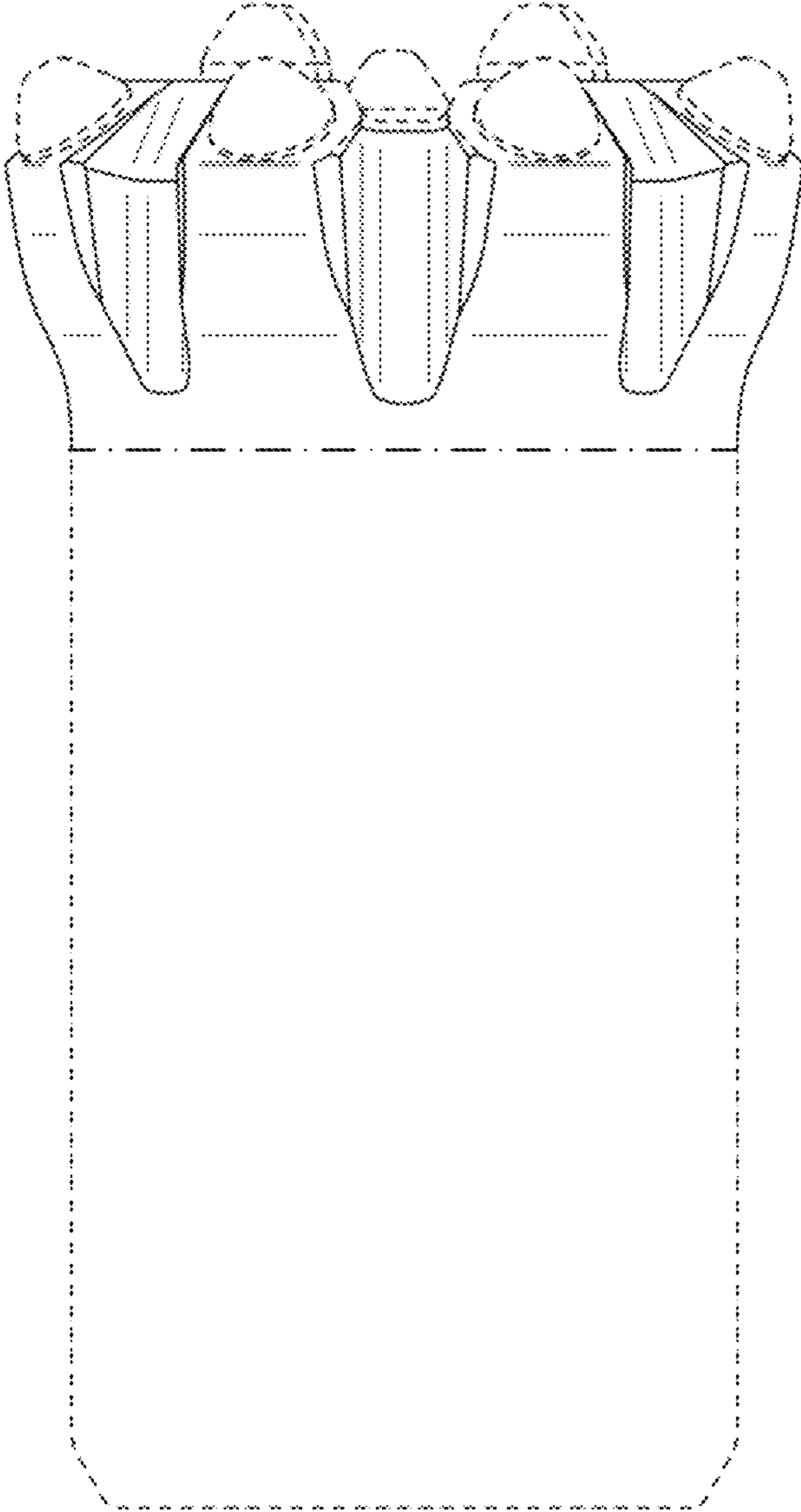


FIG. 8