



US00D823905S

(12) **United States Design Patent**
Walters et al.

(10) **Patent No.:** **US D823,905 S**
(45) **Date of Patent:** **** Jul. 24, 2018**

(54) **BRAKING FILM DISPENSER WITH LOBES**

(71) Applicant: **Pratt Corrugated Holdings, Inc.**,
Conyers, GA (US)

(72) Inventors: **Travis Walters**, Atlanta, GA (US);
Gregg McPheely, Atlanta, GA (US)

(73) Assignee: **Pratt Corrugated Holdings, Inc.**,
Conyers, GA (US)

(**) Term: **15 Years**

(21) Appl. No.: **29/596,584**

(22) Filed: **Mar. 9, 2017**

(51) **LOC (11) Cl.** **15-99**

(52) **U.S. Cl.**
USPC **D15/135**

(58) **Field of Classification Search**
USPC D15/122, 138, 135, 145; D8/358;
D6/518
CPC B65B 67/085; B65H 16/005; B65H 75/30;
B65H 75/185; B65H 75/406; B65H
2701/1752
See application file for complete search history.

(56) **References Cited**

U.S. PATENT DOCUMENTS

1,364,259 A	1/1921	Eaton
1,451,914 A	4/1923	Kongsrud
1,935,392 A	11/1933	Coninck
2,331,743 A	10/1943	Sullivan
3,856,229 A	12/1974	Bryam
4,102,513 A	7/1978	Guard
4,166,589 A	9/1979	Hoover
4,179,081 A	12/1979	Parry
4,226,380 A	10/1980	Gay

(Continued)

FOREIGN PATENT DOCUMENTS

DE	1924348	11/1970
DE	202004011730	11/2004

(Continued)

OTHER PUBLICATIONS

Stanton, Christopher M.; Issue Notification for U.S. Appl. No. 14/108,881, filed Dec. 17, 2013, dated Feb. 10, 2016, 1 pg.

(Continued)

Primary Examiner — Patricia Ann Palasik

(74) *Attorney, Agent, or Firm* — Taylor English Duma LLP

(57) **CLAIM**

I claim the ornamental design for a braking film dispenser with lobes, as shown and described.

DESCRIPTION

FIG. 1 is a top perspective view of the claimed design showing an exploded view of the claimed dispenser with a rotating member.

FIG. 2 is a bottom perspective view thereof showing an exploded view of the claimed dispenser with the rotating member.

FIG. 3 is a front elevation view thereof.

FIG. 4 is a rear elevation view thereof.

FIG. 5 is a right-side elevation view thereof, which is identical to a left-side elevation view thereof.

FIG. 6 is a top plan view thereof.

FIG. 7 is a bottom plan view thereof.

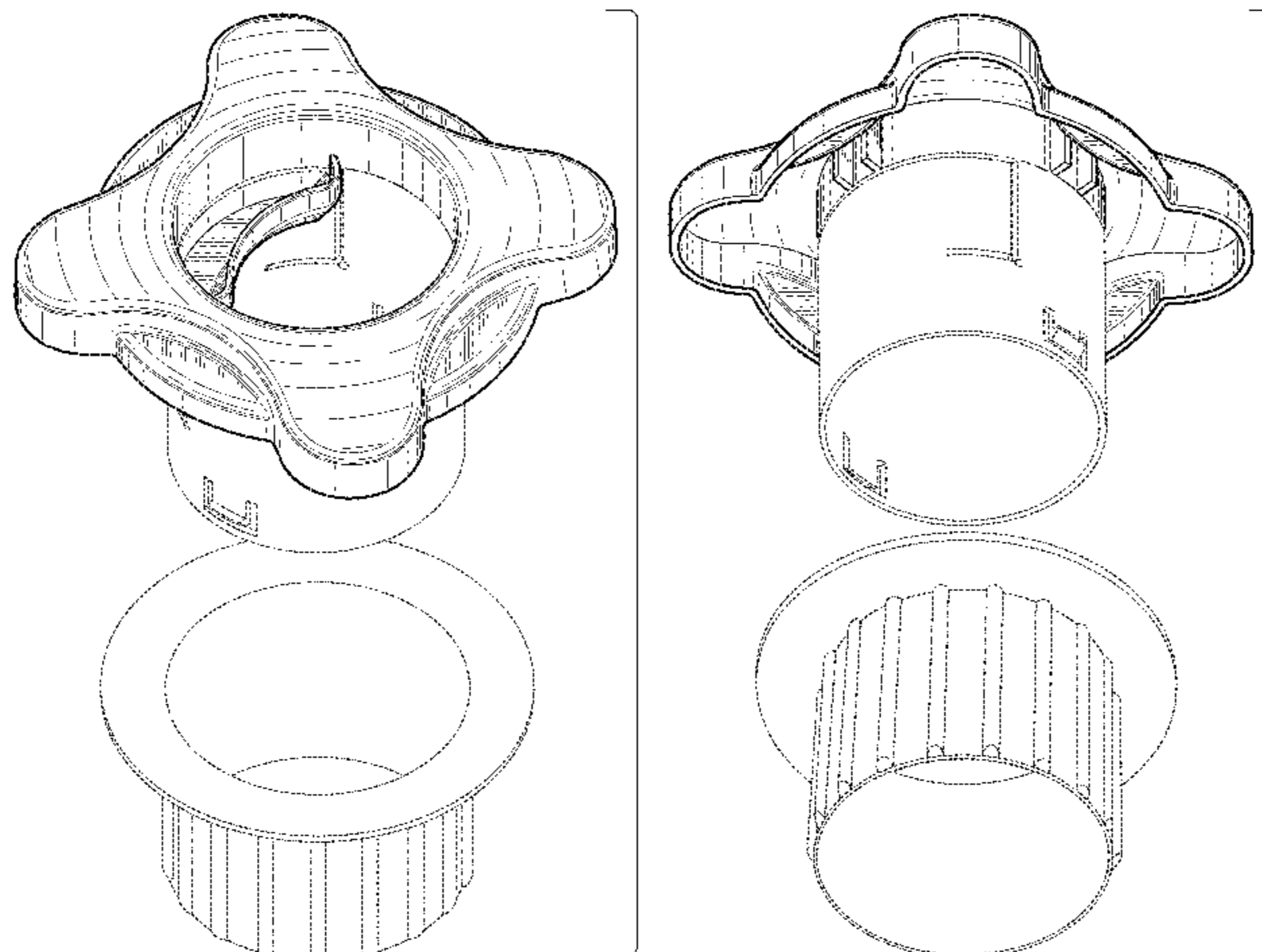
FIG. 8 is a sectional view thereof, taken along line 8-8 in FIG. 6.

FIG. 9 is a sectional view thereof, taken along line 9-9 in FIG. 6; and,

FIG. 10 is a perspective view of a system comprising two claimed dispensers, with one dispenser at each end of a stretch wrap dispensing roll.

The broken lines in the drawings depict unclaimed environmental subject matter.

1 Claim, 8 Drawing Sheets



(56)

References Cited

U.S. PATENT DOCUMENTS

4,248,392 A 2/1981 Parry
 4,339,022 A 7/1982 Hoover
 4,372,500 A 2/1983 Saraisky
 D268,514 S 4/1983 Thompson
 4,477,037 A 10/1984 Goldstein
 4,484,717 A 11/1984 Goldstein
 4,530,473 A 7/1985 Parry
 4,575,020 A 3/1986 Strout et al.
 4,600,163 A 7/1986 Hummel et al.
 4,659,031 A 4/1987 Saraisky
 4,706,442 A 11/1987 Riemenschneider
 4,722,493 A 2/1988 Parry et al.
 4,752,045 A 6/1988 Goldstein
 4,784,348 A 11/1988 McDonald
 4,817,762 A 4/1989 Powell
 4,834,312 A 5/1989 Riemenschneider, III
 4,872,623 A 10/1989 Parry et al.
 4,874,139 A 10/1989 Kewin
 4,971,265 A 11/1990 Koch
 5,094,395 A 3/1992 Lambert
 5,135,179 A 8/1992 Morano
 5,150,852 A 9/1992 Hunt et al.
 5,186,376 A 2/1993 Scharf et al.
 5,190,237 A 3/1993 Fagan
 5,203,517 A 4/1993 Parry et al.
 5,351,905 A 10/1994 Ferber
 5,398,884 A 3/1995 Stanford
 5,409,177 A 4/1995 Parry et al.
 5,490,642 A 2/1996 Schwartz
 D371,298 S 7/1996 Reddy et al.
 5,573,630 A 11/1996 Edney et al.
 5,664,739 A 9/1997 Black et al.
 5,868,334 A 2/1999 Cedillo
 5,915,642 A 6/1999 Davis
 5,927,635 A 7/1999 Black et al.
 5,938,142 A 8/1999 Halperin
 5,961,063 A 10/1999 Parry
 6,015,111 A 1/2000 Berke
 6,019,308 A 2/2000 Huang
 6,027,069 A 2/2000 Huang
 D424,341 S 5/2000 Anderberg
 D425,347 S 5/2000 Anderberg
 6,102,323 A 8/2000 Riemenschneider
 6,227,479 B1 5/2001 Dean et al.
 6,227,480 B1 5/2001 Huang
 6,398,150 B1 6/2002 Munter et al.
 6,491,252 B2 12/2002 Komatsu et al.
 6,508,430 B1 1/2003 Rodriguez
 6,517,023 B2 2/2003 Rodriguez
 6,651,918 B2 11/2003 Huang
 6,676,069 B1 1/2004 Davis
 6,739,542 B1 5/2004 Prina et al.
 6,883,298 B2 4/2005 Gooding et al.
 6,892,975 B2 5/2005 Yu Chen
 6,905,045 B2 6/2005 Yu Chen
 6,926,225 B1 8/2005 Powers
 6,997,411 B2 2/2006 Kewin
 7,017,743 B1 3/2006 Patterson
 7,210,649 B2* 5/2007 Yu Chen B65D 85/02
 242/405.3
 7,380,744 B1 6/2008 Yu Chen
 7,401,449 B2 7/2008 Watson et al.
 7,438,254 B2 10/2008 Oettershagen
 D593,464 S 6/2009 Mentis
 7,543,426 B1 6/2009 Phero
 7,552,891 B2* 6/2009 Huang B65B 67/085
 242/405.3
 7,665,686 B2 2/2010 Becker et al.
 D612,179 S 3/2010 Huang
 7,726,600 B2 6/2010 Huang
 7,762,490 B1 7/2010 Yu Chen
 7,866,596 B2 1/2011 Yamada
 7,900,421 B2 3/2011 Smith
 7,937,915 B2 5/2011 Kohn et al.
 8,104,705 B2 1/2012 Yu Chen

8,308,102 B2 11/2012 Lin
 8,317,124 B2 11/2012 Yu Chen
 8,468,778 B2 6/2013 Windheuser
 8,578,683 B2 11/2013 Smith
 8,616,490 B2 12/2013 Blok
 8,622,332 B2 1/2014 Bologna
 8,708,267 B2 4/2014 Morgan
 8,783,428 B2 7/2014 Beri
 9,010,675 B2 4/2015 Harrison
 9,272,870 B2 3/2016 Stanton
 9,284,085 B2 3/2016 Pace
 9,688,507 B2 6/2017 Stanton
 9,802,722 B1* 10/2017 Bison B65B 11/585
 9,908,656 B2 3/2018 Dahlmann et al.
 9,926,093 B2* 3/2018 Chen B65B 67/085
 9,950,896 B2 4/2018 Stanton
 2003/0132336 A1 7/2003 Huang
 2004/0065577 A1 4/2004 Yu Chen
 2004/0084559 A1 5/2004 Fraser
 2004/0134820 A1* 7/2004 Katayama B65H 75/185
 206/389
 2004/0245282 A1 12/2004 Yu Chen
 2006/0032965 A1 2/2006 Yu Chen
 2006/0071118 A1 4/2006 Offerhaus
 2006/0175460 A1 8/2006 Hua
 2006/0237577 A1 10/2006 Yu Chen
 2006/0278751 A1 12/2006 Yu Chen
 2007/0063092 A1 3/2007 Zevin et al.
 2007/0151208 A1 7/2007 Huang
 2008/0072538 A1 3/2008 Kohn et al.
 2008/0258002 A1 10/2008 Migliaccio
 2009/0044494 A1 2/2009 Northrup
 2009/0127372 A1 5/2009 Saraisky
 2009/0308968 A1 12/2009 Piotrowski et al.
 2010/0044491 A1 2/2010 Ritchey et al.
 2011/0095122 A1 4/2011 Yu Chen
 2011/0233321 A1 9/2011 Yu Chen
 2011/0284680 A1 11/2011 Lin
 2012/0153063 A1 6/2012 Furuichi
 2012/0181369 A1 7/2012 Blok
 2013/0152384 A1 6/2013 Yu Chen
 2014/0116004 A1 5/2014 Pace
 2015/0166285 A1 6/2015 Stanton
 2016/0137454 A1* 5/2016 Stanton B65H 16/005
 242/423.2
 2016/0221704 A1 8/2016 Dahlmann
 2016/0264277 A1 9/2016 Dahlmann
 2016/0355293 A1* 12/2016 Clarke B65B 59/04
 2017/0137160 A1* 5/2017 Yu Chen B65B 67/085
 2017/0260020 A1* 9/2017 Stanton B65H 16/005
 2018/0022565 A1 1/2018 Dahlmann et al.

FOREIGN PATENT DOCUMENTS

EP 0030572 6/1981
 EP 0227564 7/1987
 EP 0310291 4/1989
 EP 0499761 8/1992
 FR 2588841 5/1988
 FR 2910887 12/2009
 GB 2055345 3/1981
 GB 2289039 11/1995
 GB 2299321 10/1996
 GB 2456801 7/2009
 GB 2478933 9/2011
 JP H0769349 3/1995
 TW 201026567 7/2010
 WO 1993010006 5/1993
 WO 1995000395 1/1995
 WO 2007066194 6/2007

OTHER PUBLICATIONS

Stanton, Christopher M.; Non-Final Office Action for U.S. Appl. No. 14/108,881, filed Dec. 17, 2013, dated Sep. 23, 2015, 29 pgs.
 Stanton, Christopher M.; Notice of Allowance for U.S. Appl. No. 14/108,881, filed Dec. 17, 2013, dated Nov. 24, 2015, 5 pgs.

(56)

References Cited

OTHER PUBLICATIONS

Stanton, Christopher M.; Non-Final Office Action for U.S. Appl. No. 15/001,281, filed Jan. 20, 2016, dated Jan. 11, 2017, 44 pgs.

Stanton, Christopher M.; Notice of Allowability for U.S. Appl. No. 15/001,281, filed Jan. 20, 2016, dated Apr. 26, 2017, 6 pgs.

Stanton, Christopher M.; Notice of Allowance for U.S. Appl. No. 15/001,281, filed Jan. 20, 2016, dated Mar. 8, 2017, 5 pgs.

Dahlmann, Deborah A.; Advisory Action for U.S. Appl. No. 14/609,567, filed Jan. 30, 2015, dated Jan. 24, 2017, 4 pgs.

Dahlmann, Deborah A.; Final Office Action for U.S. Appl. No. 14/609,567, filed Jan. 30, 2015, dated Oct. 20, 2016; 11 pgs.

Dahlmann, Deborah A.; Non-Final Office Action for U.S. Appl. No. 14/609,567, filed Jan. 30, 2015, dated May 16, 2016, 38 pgs.

Article entitled: "Hand Savers Stretch Wrap Film Hand Dispenser" www.ebay.com <http://www.ebay.com/itm/Hand-Savers-Stretch-Wrap-Film-Hand-Dispenser-1-set-/251286375179> (Accessed Jun. 10, 2013), 3 pgs.

Article entitled: "Stretch film—BK Holder" www.benkaico.com <http://www.benkaico.com/product-area/stretch-film---bk-holder> (Accessed Jun. 10, 2013), 2 pgs.

Article entitled: "Stretch Film Dispenser—Hand Core Insert 3" www.aaabalingandstrapping.com http://www.aaabalingandstrapping.com/index.php?main_page=product_info&cPath=88&products_id=183&zenid=3tkfdrfajbi8ha9ducbdvfc1v4 (Accessed 6/10/2013), 2 pgs.

Goodwrappers; "Unitization products by Goodwrappers, include hand wrappers, replacement rolls, core handwrap, generic and disposable hand wrap", Apr. 7, 2010, located at <https://web.archive.org/web/20100407080537/http://www.goodwrappers.com/prod_unit.asp>, 4 pgs.

Images of Braking Wrap Film Dispenser, the Dispenser publicly available prior to Dec. 17, 2012, 12 pgs.

Vestil Manufacturing; "Stretch Wrap Dispensers", located at <http://www.vestilmfg.com/products/mhequip/stretch_wrap_dispensers.htm>, Copyright 2014, accessed on Aug. 11, 2014, 2 pgs.

Stanton, Christopher M.; Issue Notification for U.S. Appl. No. 15/001,281, filed Jan. 20, 2016, dated Jun. 7, 2017, 1 page.

Dahlmann, Deborah A.; Notice of Allowance for U.S. Appl. No. 14/609,567, filed Jan. 30, 2015, dated Jul. 6, 2017, 17 pgs.

Dahlmann, Deborah A.; Non-Final Office Action for U.S. Appl. No. 14/642,940, filed Mar. 10, 2015, dated Oct. 11, 2017, 48 pgs.

Stanton, Christopher M.; Notice of Allowance for U.S. Appl. No. 15/606,361, filed May 26, 2017, dated Dec. 14, 2017, 30 pgs.

Stanton, Christopher M.; Supplemental Notice of Allowance for U.S. Appl. No. 15/606,361, filed May 26, 2017, dated Jan. 16, 2018, 6 pgs.

Stanton, Christopher M.; Supplemental Notice of Allowance for U.S. Appl. No. 15/606,361, filed May 26, 2017, dated Dec. 28, 2017, 4 pgs.

Dahlmann, Deborah A.; Issue Notification for U.S. Appl. No. 14/609,567, filed Jan. 30, 2015, dated Feb. 14, 2018, 1 pg.

Stanton, Christopher M.; Issue Notification for U.S. Appl. No. 15/606,361, filed May 26, 2017, dated Apr. 4, 2018, 1 pg.

Stanton, Christopher M.; Supplemental Notice of Allowance for U.S. Appl. No. 15/606,361, filed May 26, 2017, dated Mar. 22, 2018, 6 pgs.

Stanton, Christopher M.; Non-Final Office Action for U.S. Appl. No. 15/916,992, filed Mar. 9, 2018, dated May 16, 2018, 25 pgs.

Dahlmann, Deborah A.; Notice of Allowance for U.S. Appl. No. 14/642,940, filed Mar. 10, 2015, dated Apr. 2, 2018, 9 pgs.

Dahlmann, Deborah A.; Supplemental Notice of Allowance for U.S. Appl. No. 14/642,940, filed Mar. 10, 2015, dated Apr. 13, 2018, 6 pgs.

Dahlmann, Deborah; Supplemental Notice of Allowance for U.S. Appl. No. 14/642,940, filed Mar. 10, 2015, dated May 9, 2018, 6 pgs.

Rivera, William Arauz; Issue Notification for U.S. Appl. No. 14/642,940, filed Mar. 10, 2015, dated May 16, 2018, 1 pg.

Dahlmann, Deborah; Non-Final Office Action for U.S. Appl. No. 15/215,025, filed Jul. 20, 2016, dated Jan. 30, 2018, 49 pgs.

* cited by examiner

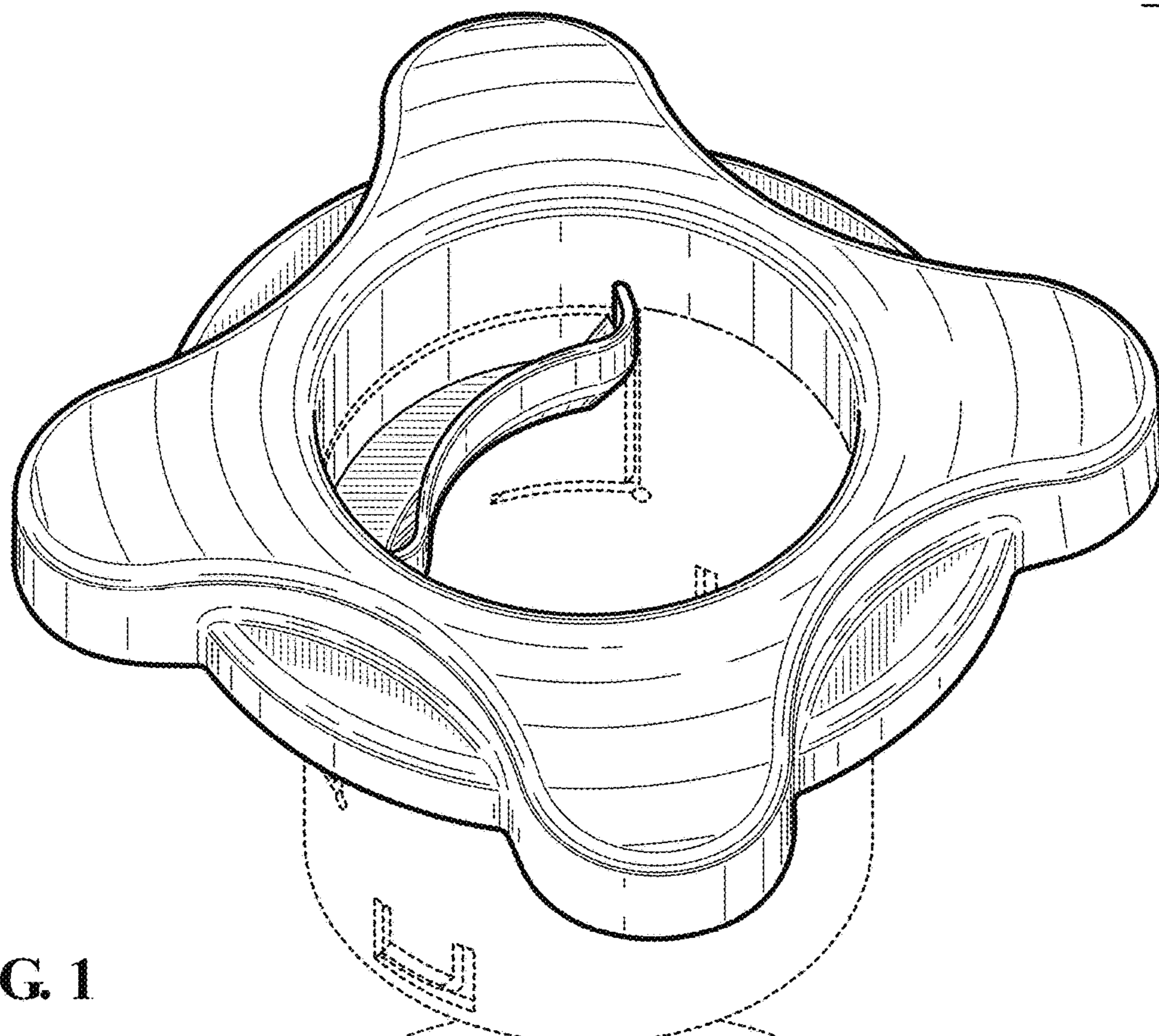
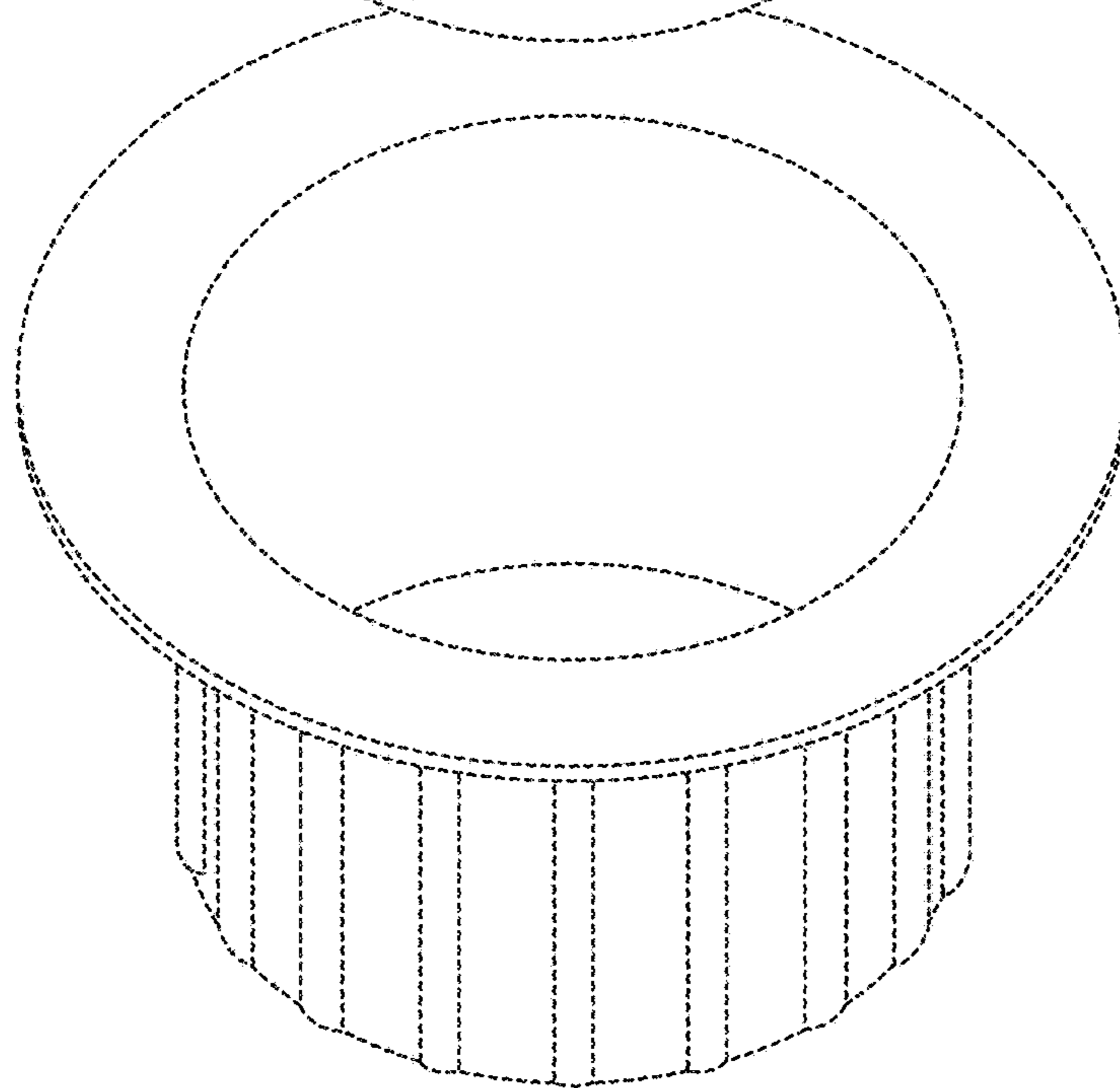


FIG. 1



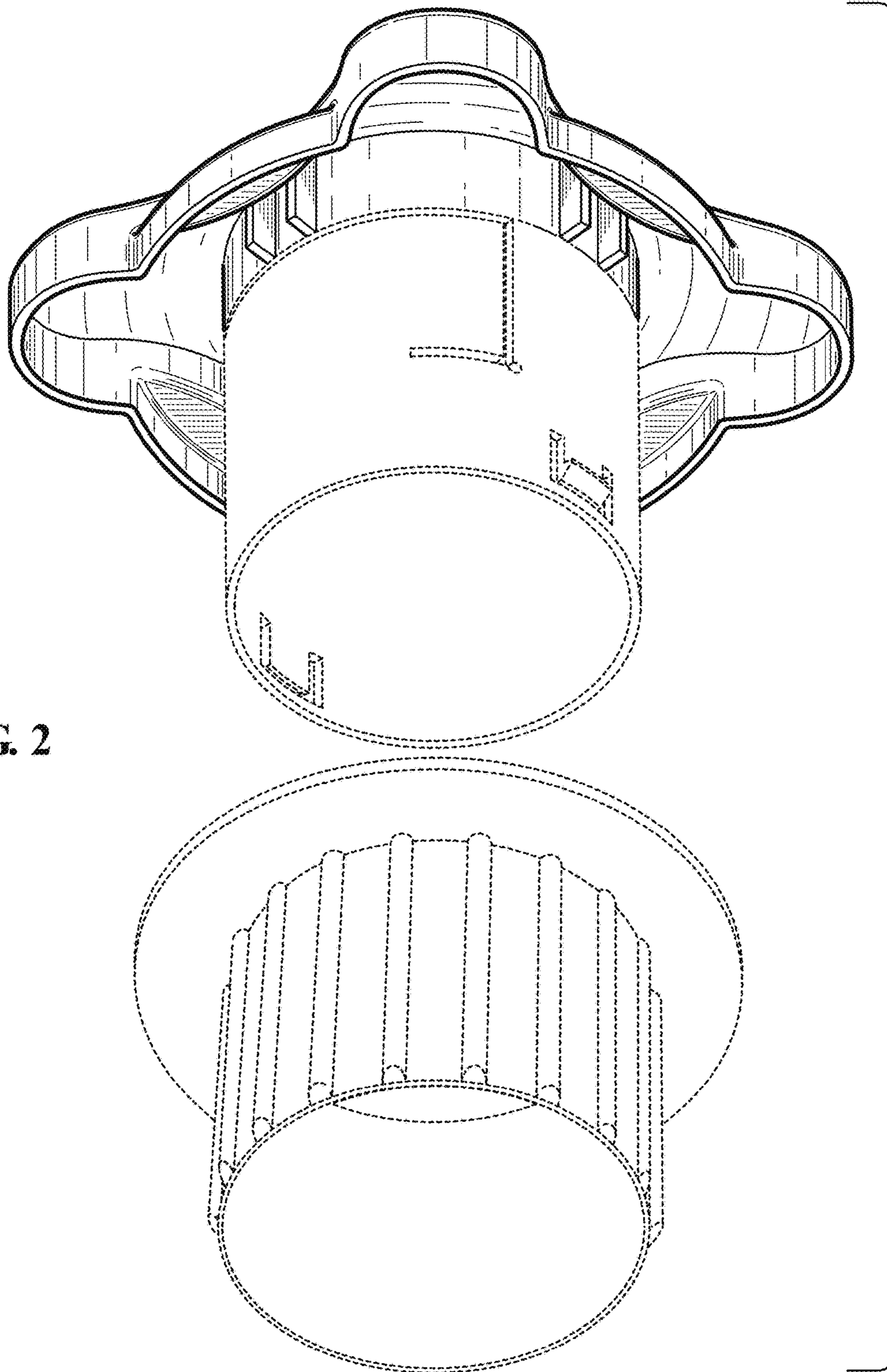


FIG. 2

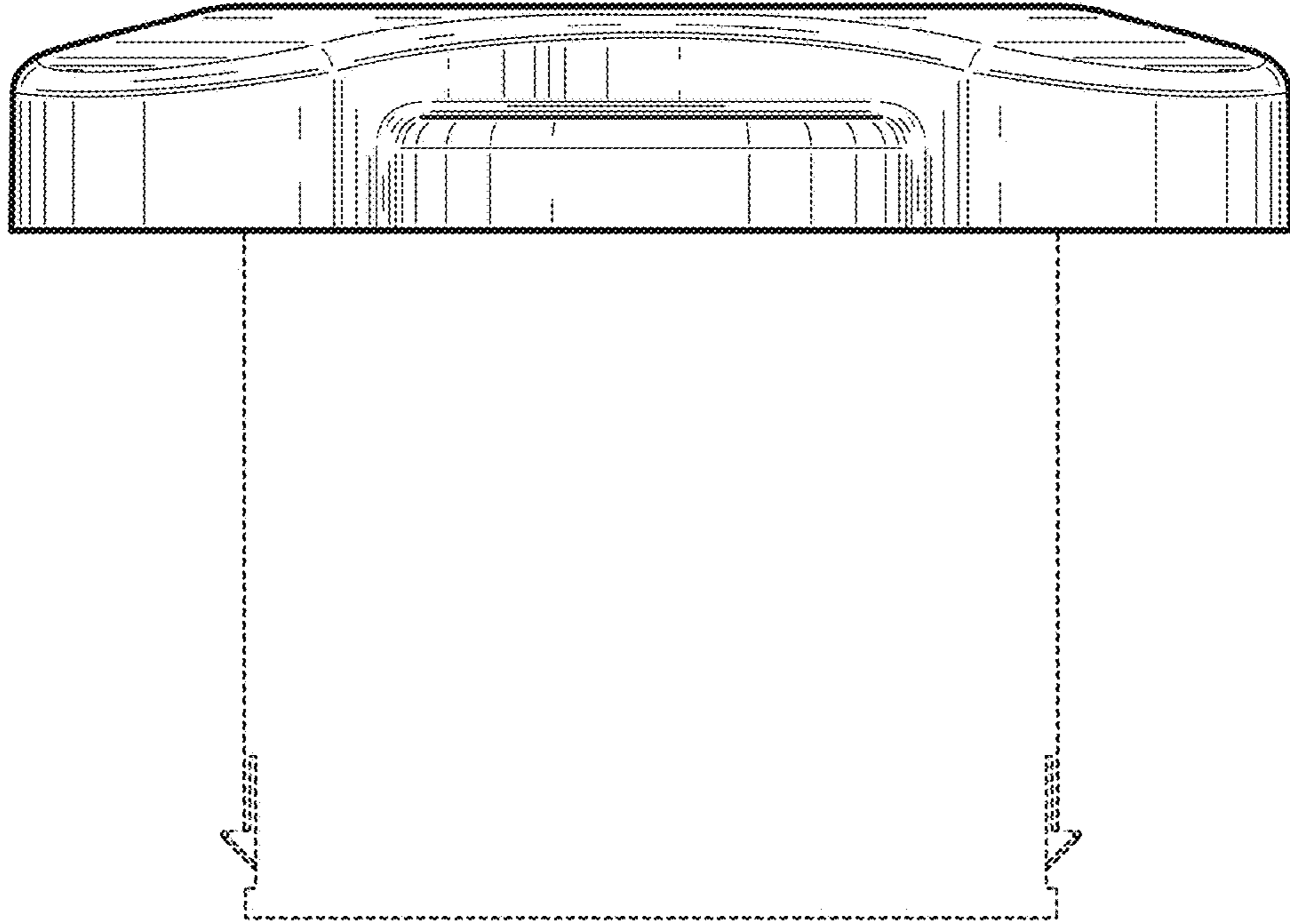


FIG. 3

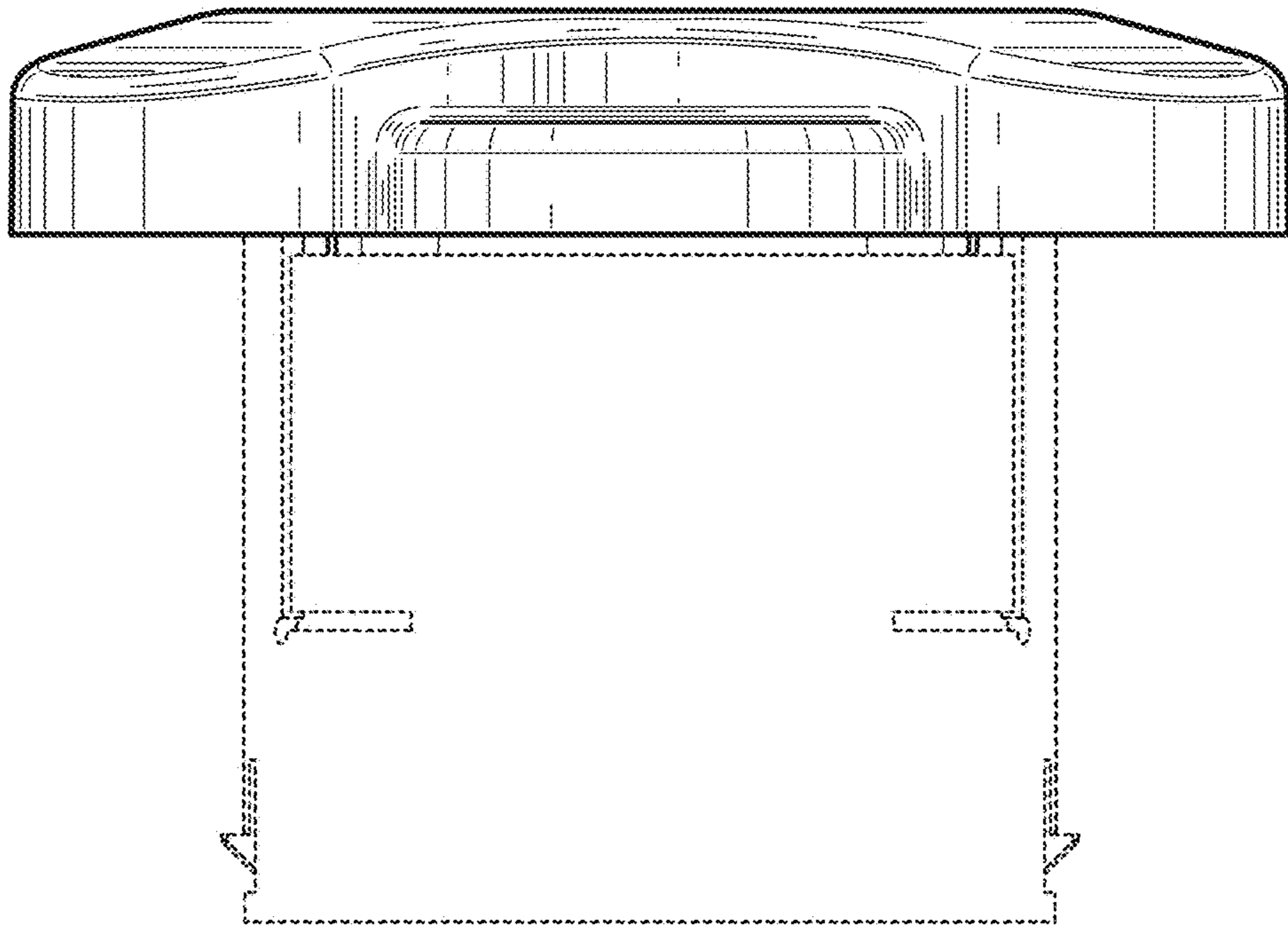


FIG. 4

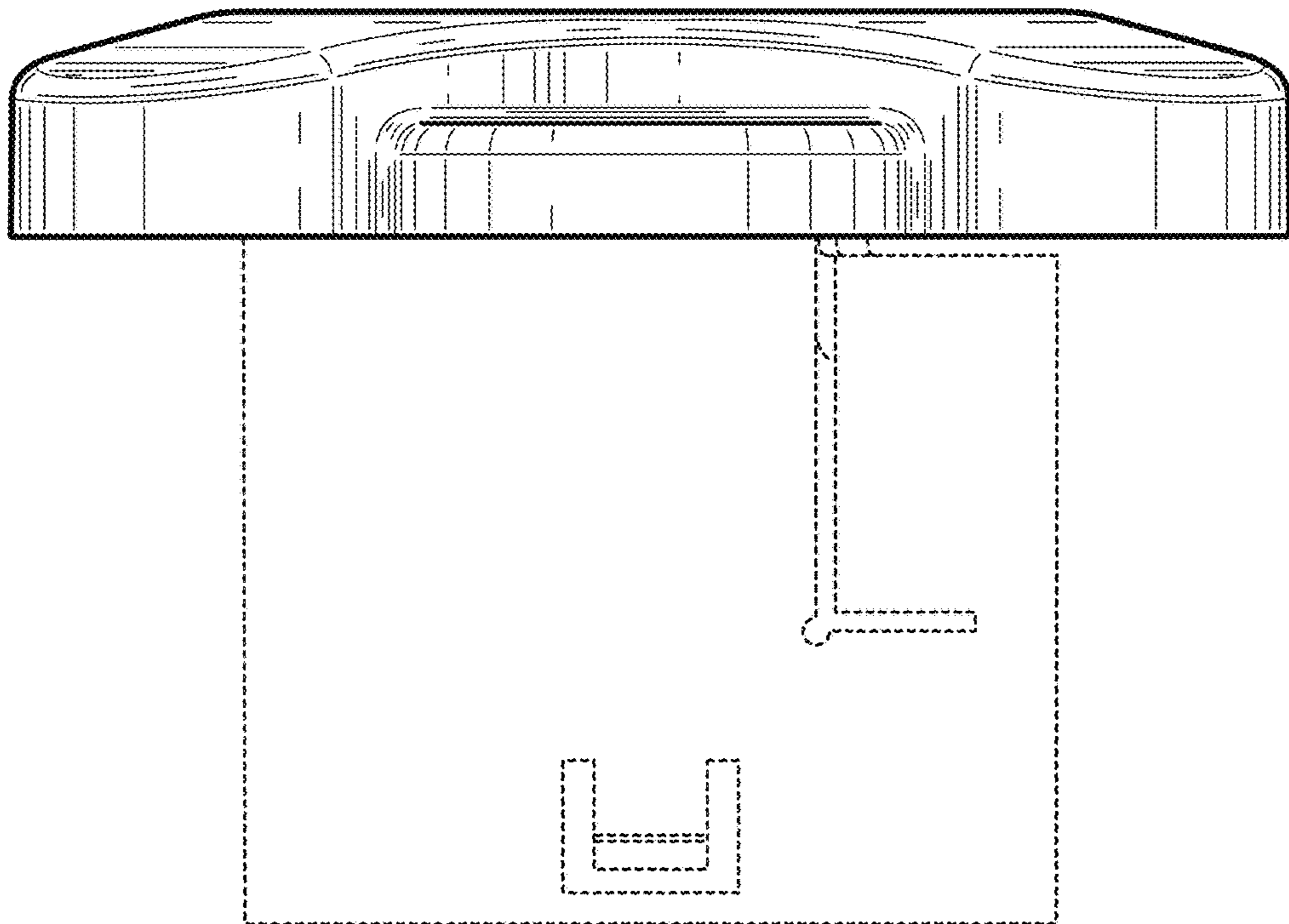


FIG. 5

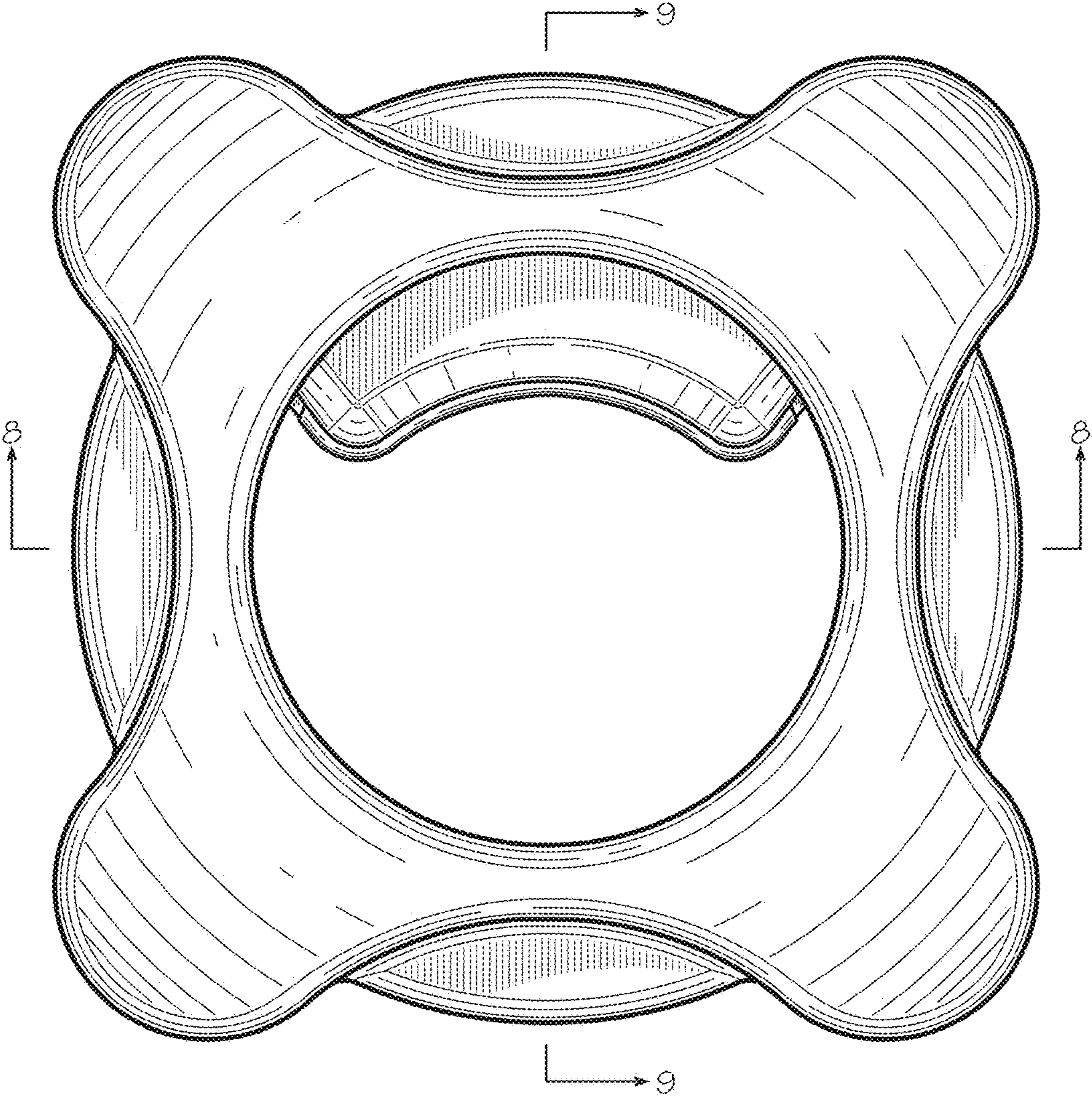


FIG. 6

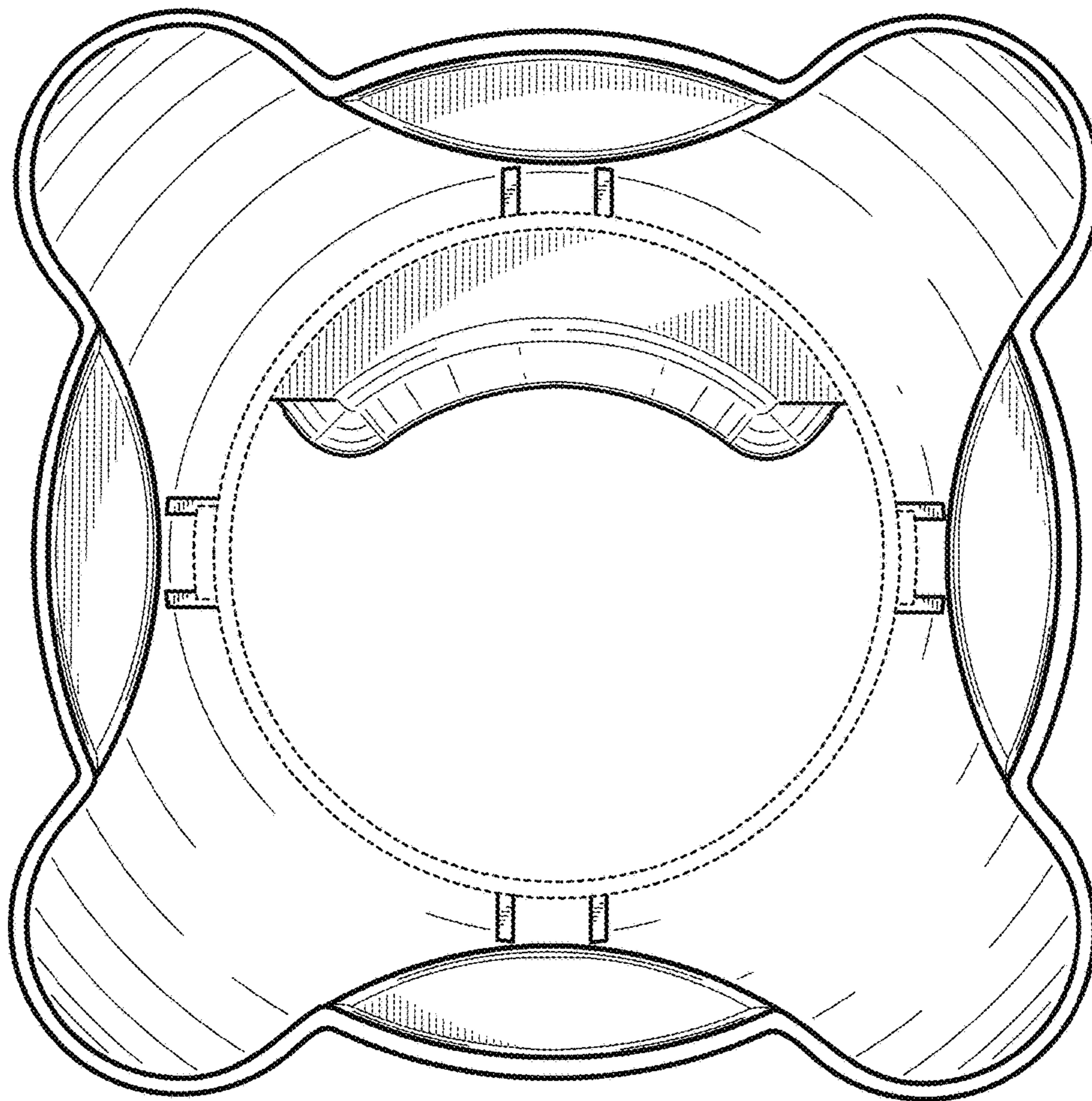


FIG. 7

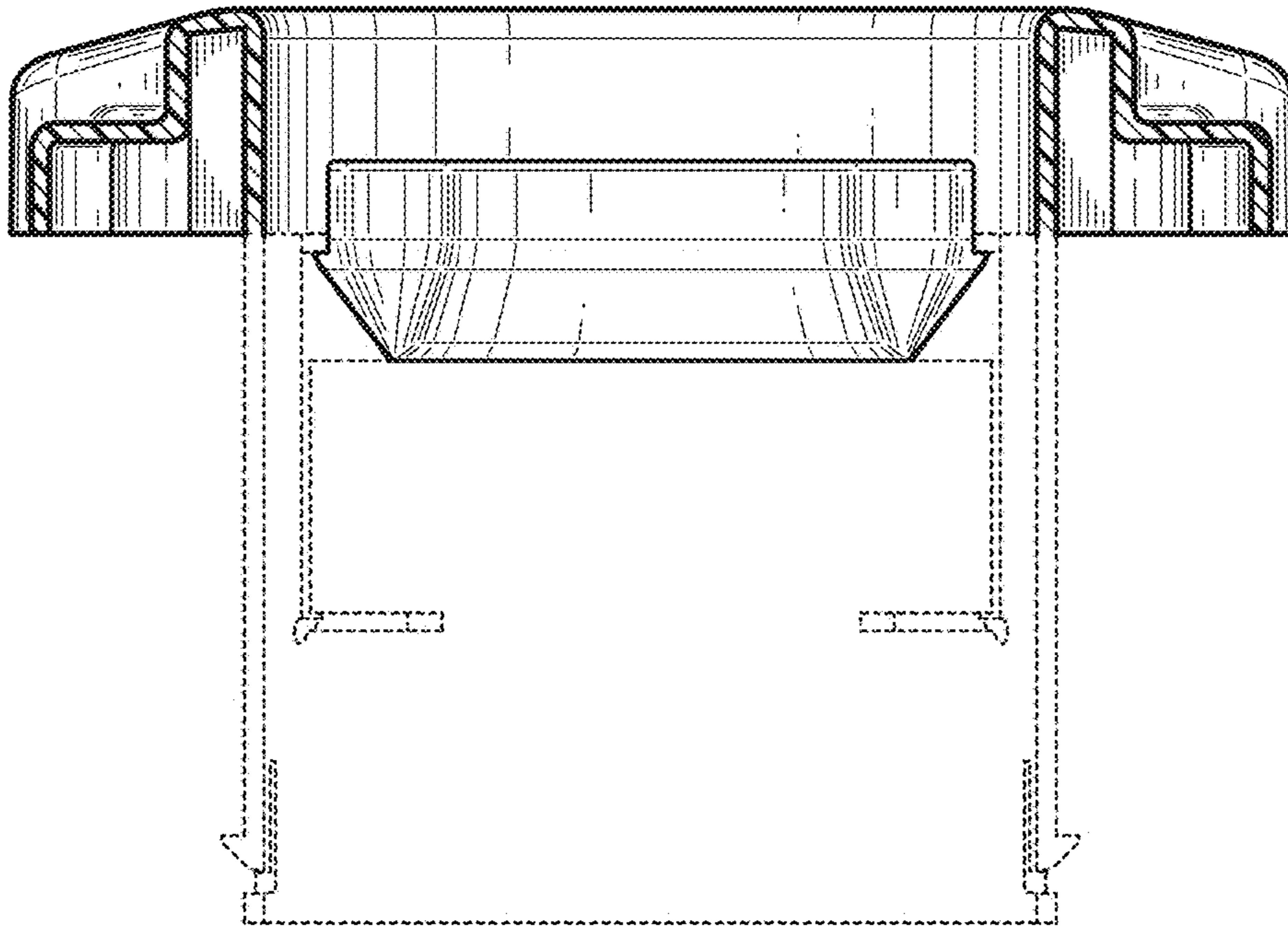


FIG. 8

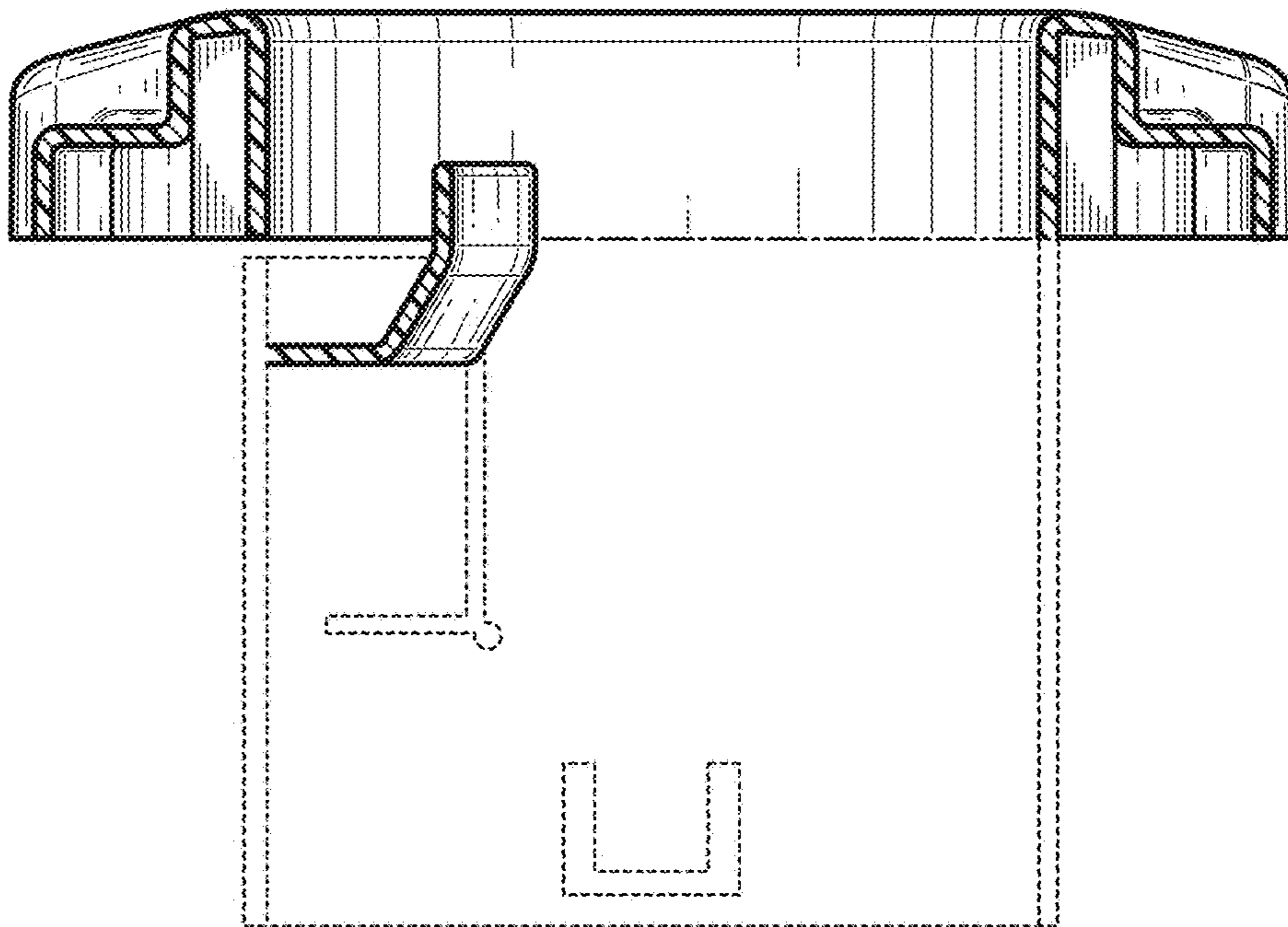


FIG. 9

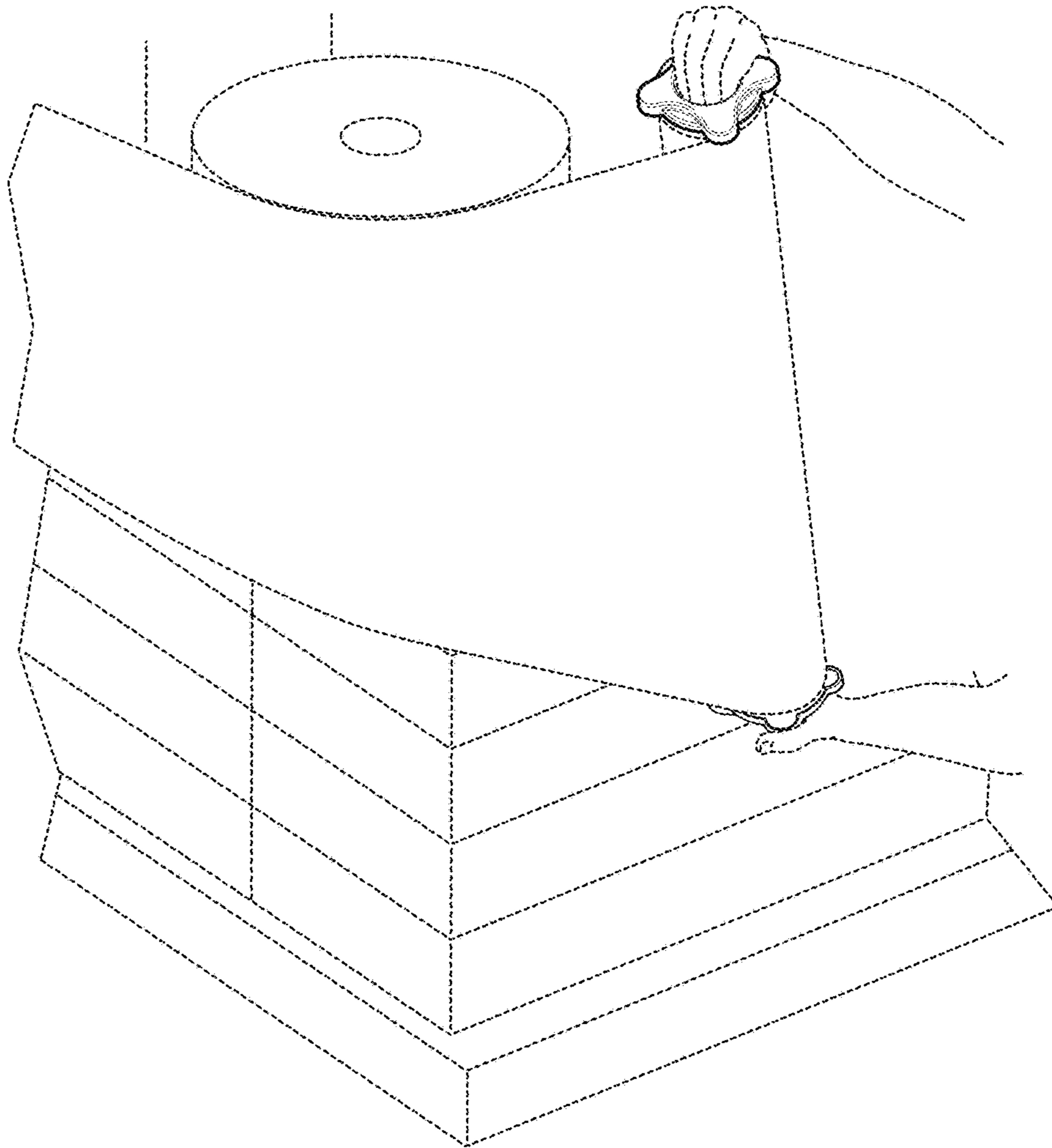


FIG. 10