



US00D823904S

(12) **United States Design Patent** (10) **Patent No.:** **US D823,904 S**
Jilbert et al. (45) **Date of Patent:** **** *Jul. 24, 2018**

(54) **CANOPY FOR AN AERIAL WORK PLATFORM**

FOREIGN PATENT DOCUMENTS

(71) Applicant: **JCB ACCESS LIMITED**, Uttoxeter (GB)

CN 304042998 * 2/2017

(72) Inventors: **Samuel John Jilbert**, Uttoxeter (GB); **Louis Gospel**, Uttoxeter (GB); **Ben Watson**, Uttoxeter (GB)

OTHER PUBLICATIONS

<https://www.youtube.com/watch?v=SbkDOyfnED8> uploaded Mar. 10, 2017 (Year: 2017).*

(73) Assignee: **JCB ACCESS LIMITED**, Uttoxeter (GB)

(Continued)

(*) Notice: This patent is subject to a terminal disclaimer.

Primary Examiner — Susan Bennett Hattan

Assistant Examiner — Leanne Was-Englehart

(74) *Attorney, Agent, or Firm* — Marshall, Gerstein & Borun LLP

(**) Term: **15 Years**

(57) **CLAIM**

(21) Appl. No.: **29/596,256**

The ornamental design for a canopy for an aerial work platform, as shown and described.

(22) Filed: **Mar. 7, 2017**

(51) **LOC (11) Cl.** **12-05**

(52) **U.S. Cl.**
USPC **D15/30**

DESCRIPTION

(58) **Field of Classification Search**
USPC D15/10, 11, 15, 17, 22, 23, 25, 26, 28, D15/30; D25/3, 16, 31, 56
CPC E02F 9/18; E02F 9/163; E02F 3/00; E02F 3/32; E02F 3/34; E02F 3/40; E02F 3/76; F01N 13/001; F01N 2590/08; B66F 11/04; B66F 11/046
See application file for complete search history.

FIG. 1 is a front, left-side, and top view of a canopy for an aerial work platform, showing the new design.
FIG. 2 is a top plan view of the canopy for an aerial work platform.
FIG. 3 is a left-side elevation of the canopy for an aerial work platform.
FIG. 4 is a front elevation of the canopy for an aerial work platform.
FIG. 5 is a rear elevation of the canopy for an aerial work platform.
FIG. 6 is a right-side elevation of the canopy for an aerial work platform.
FIG. 7 is an underside plan view of the canopy for an aerial work platform; and,
FIG. 8 is a right-side, rear, and top view of the canopy for an aerial work platform.
The broken lines show unclaimed elements of the canopy for an aerial work platform and do not form part of the claimed design.

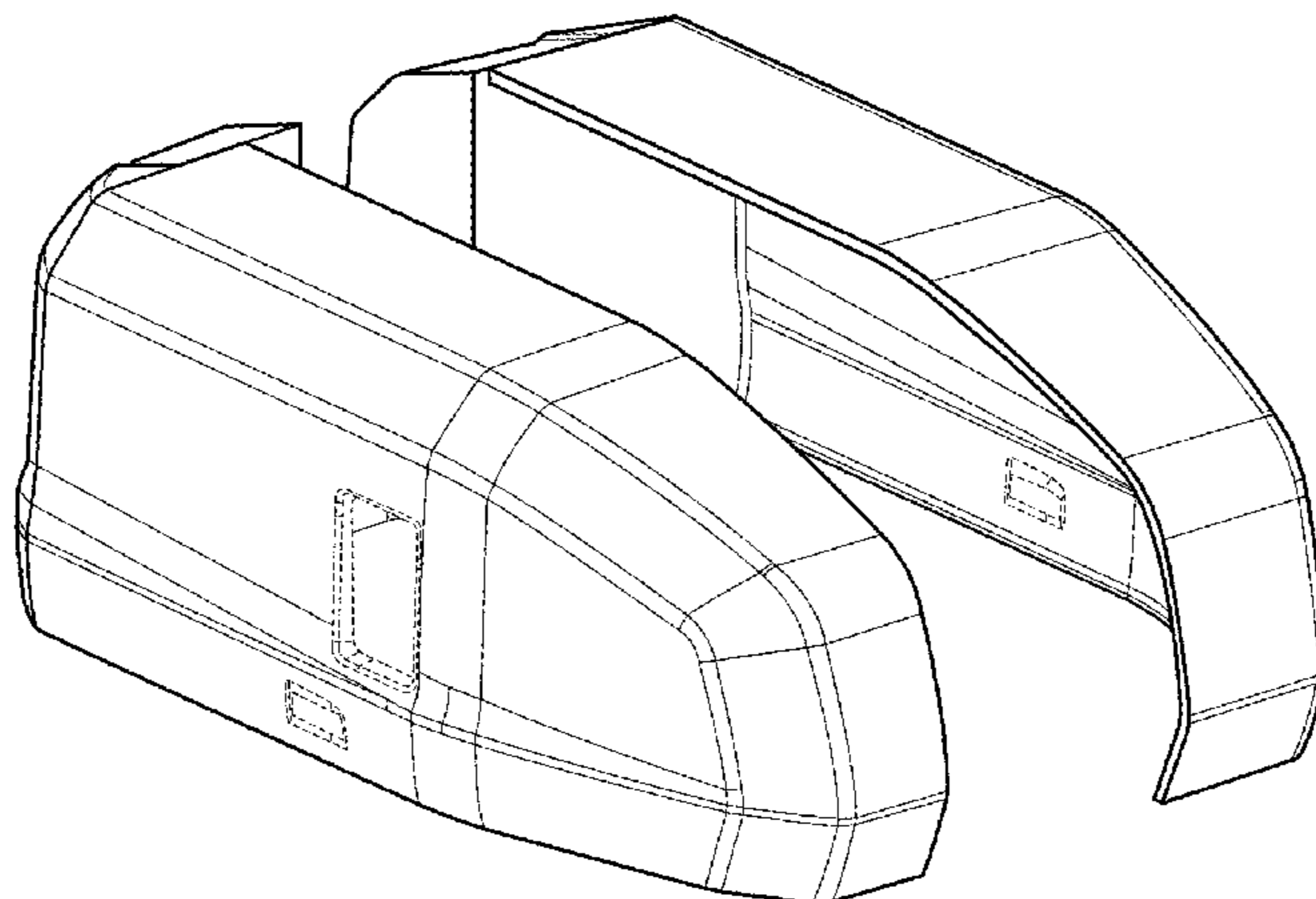
(56) **References Cited**

U.S. PATENT DOCUMENTS

- D241,334 S * 9/1976 Howard 52/82
- D275,888 S * 10/1984 Lauer D25/1
- 5,669,517 A * 9/1997 Donaldson B66F 11/046
212/196
- 6,119,882 A * 9/2000 Crook B60B 35/003
180/433
- D487,575 S * 3/2004 Wetzel D15/33
- D738,403 S * 9/2015 Imashige D15/22

(Continued)

1 Claim, 5 Drawing Sheets



(56)

References Cited

U.S. PATENT DOCUMENTS

D772,954	S	*	11/2016	Harms	D15/28
D776,724	S	*	1/2017	Harms	D15/30
D777,218	S	*	1/2017	Harms	D15/30
D797,160	S	*	9/2017	Yeu	D15/30
D797,814	S	*	9/2017	Hashimoto	D15/28
2009/0218173	A1	*	9/2009	Beeson	B66F 11/046 187/234
2011/0187152	A1	*	8/2011	Lin	B62D 33/06 296/181.1
2012/0241250	A1	*	9/2012	Eakin	B66F 11/044 182/2.2
2014/0251726	A1	*	9/2014	Ditty	F16L 3/015 182/69.4
2017/0291805	A1	*	10/2017	Hao	B60P 1/34

OTHER PUBLICATIONS

<https://www.youtube.com/watch?v=fxcPGv3LUrA> Uploaded Dec. 29, 2014 (Year: 2014).*

<http://www.sinolifter.com/boom-lift/self-propelled-articulated-boom-lift.html> Uploaded Jun. 28, 2016 (Year: 2016).*

<http://simscrane.com/local-jlg-aerial-work-platform-dealer/> Uploaded May 2016 (Year: 2016).*

* cited by examiner

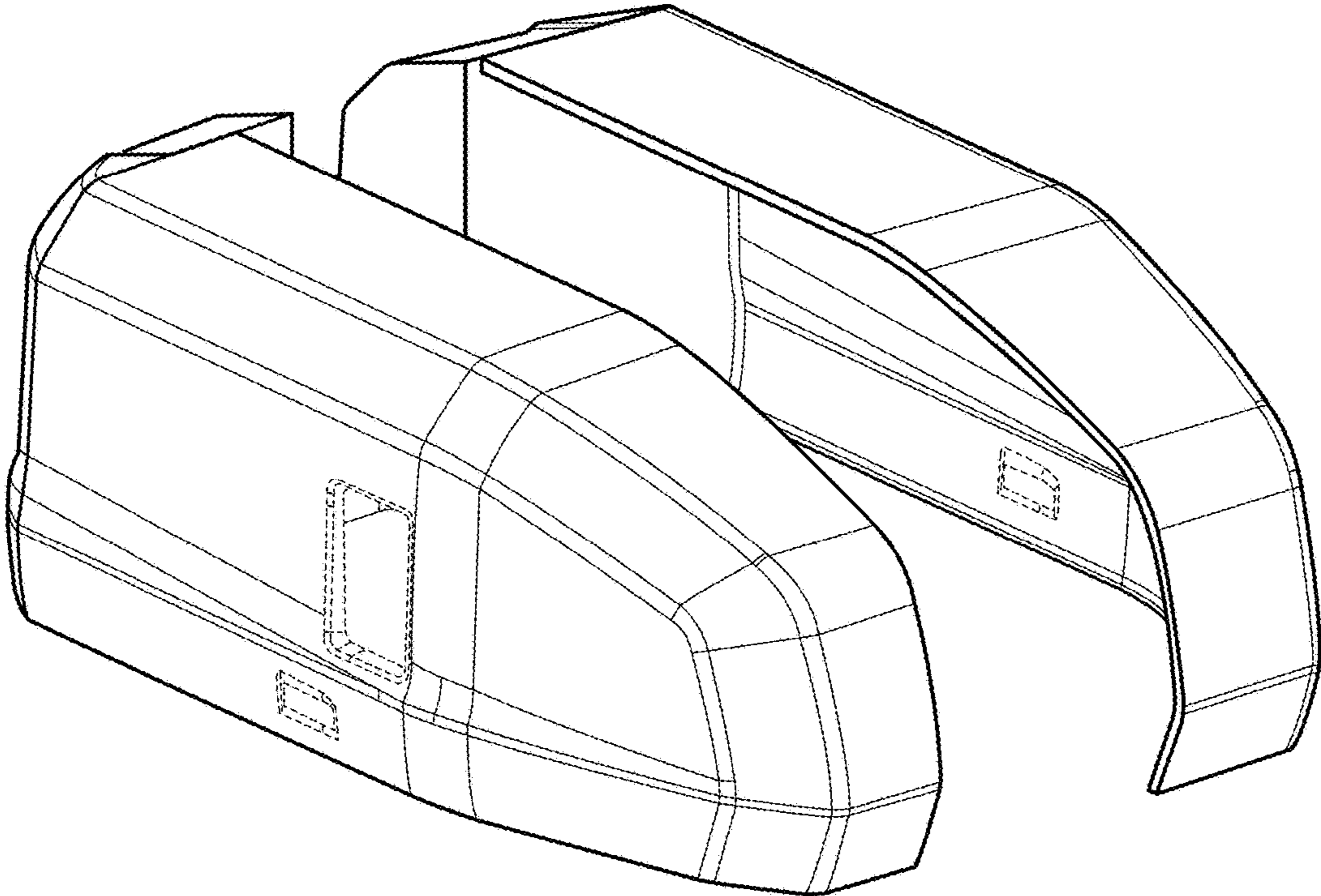


FIG. 1

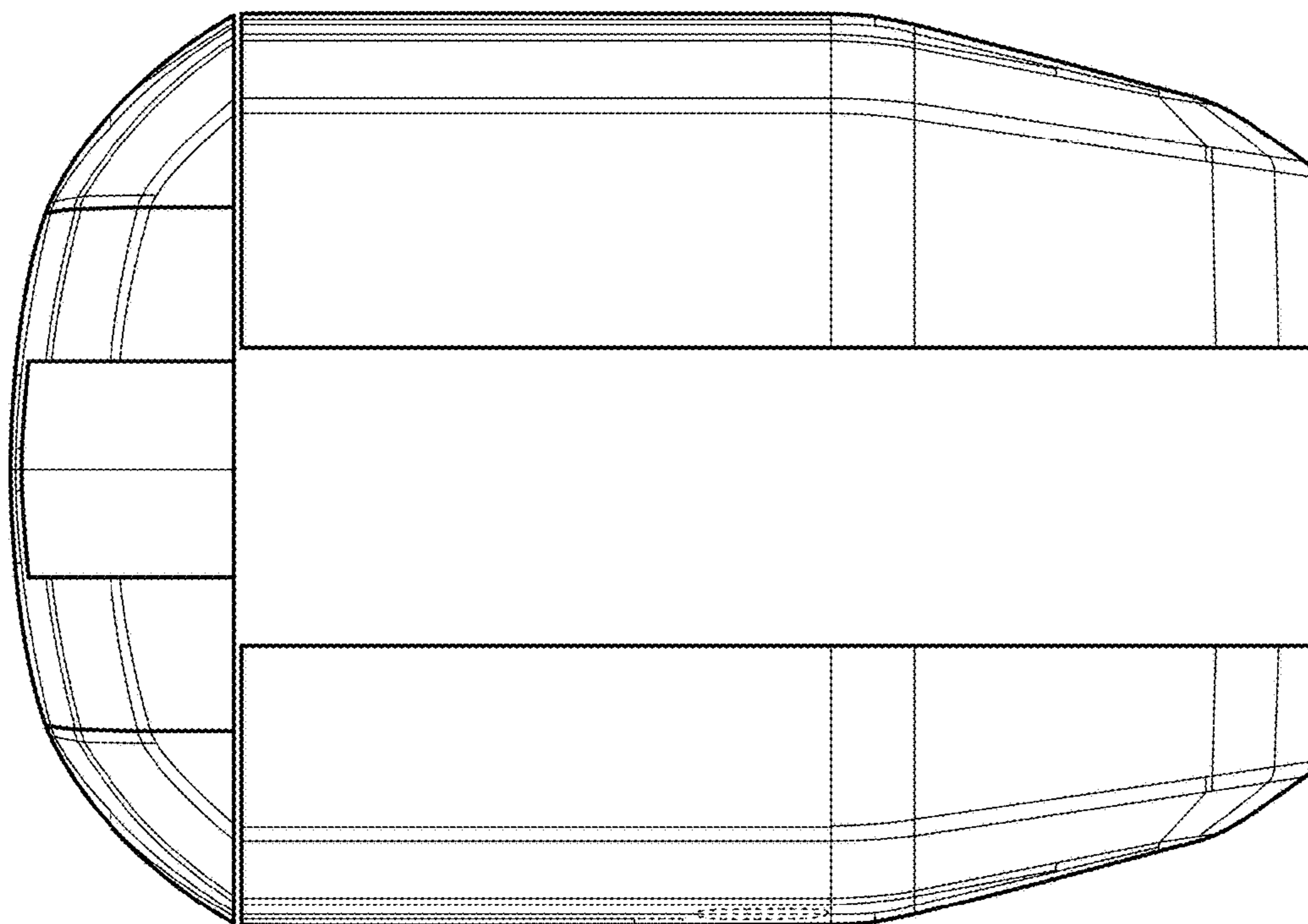


FIG. 2

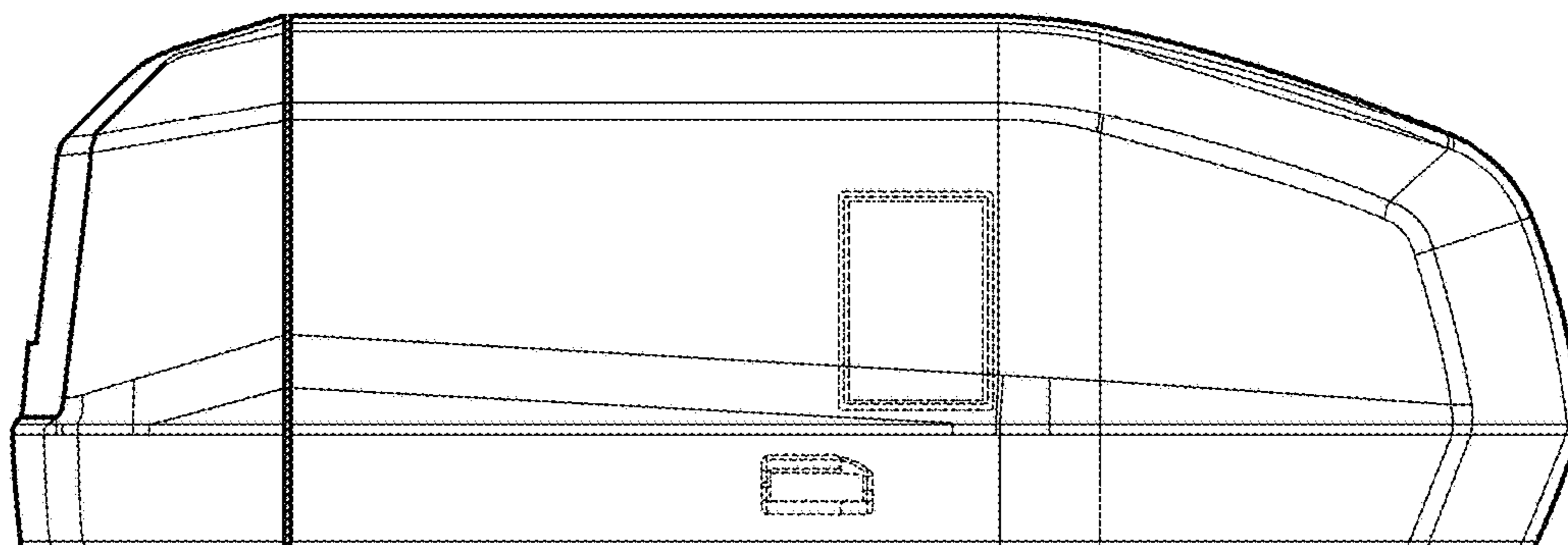


FIG. 3

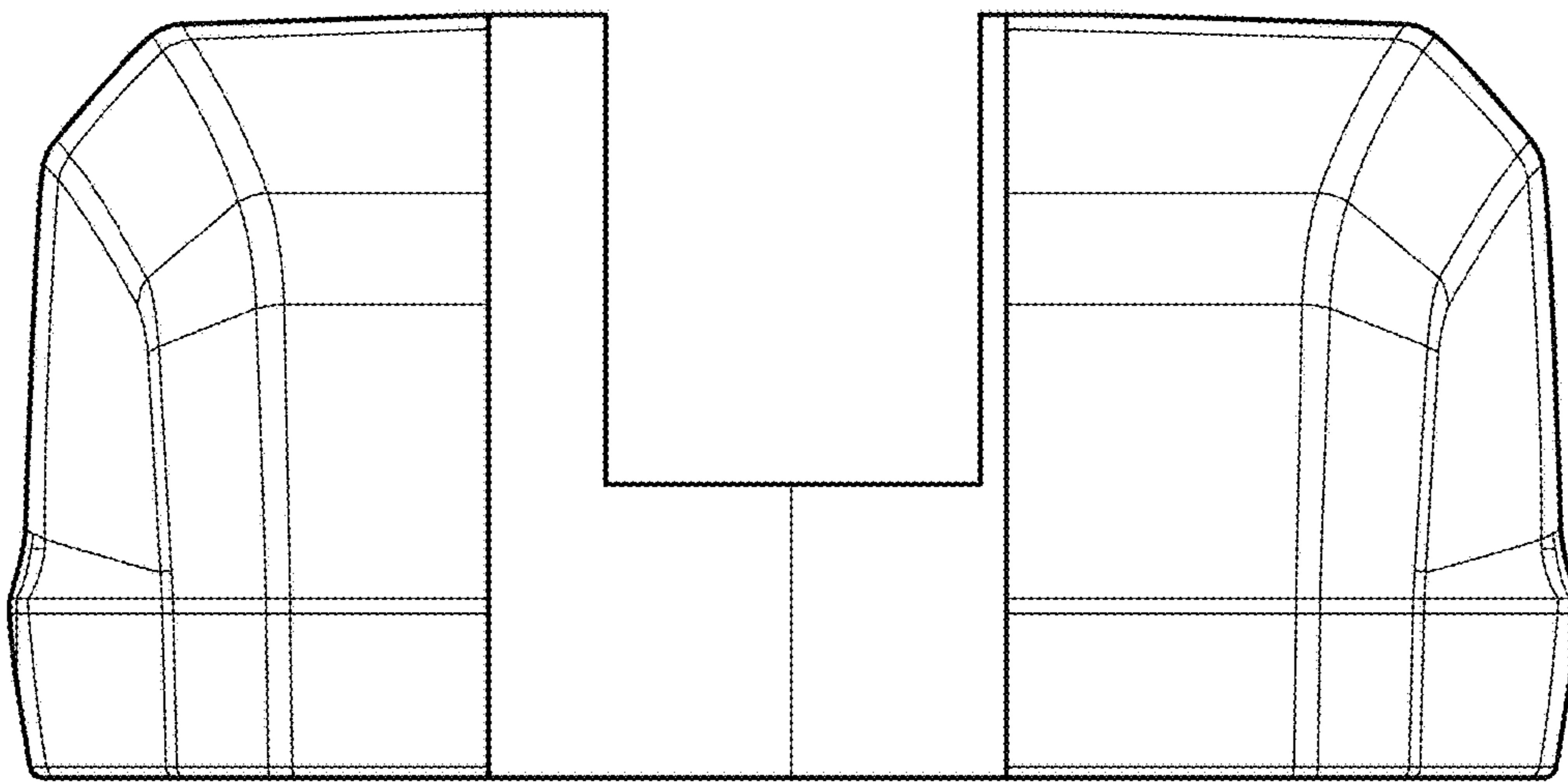


FIG. 4

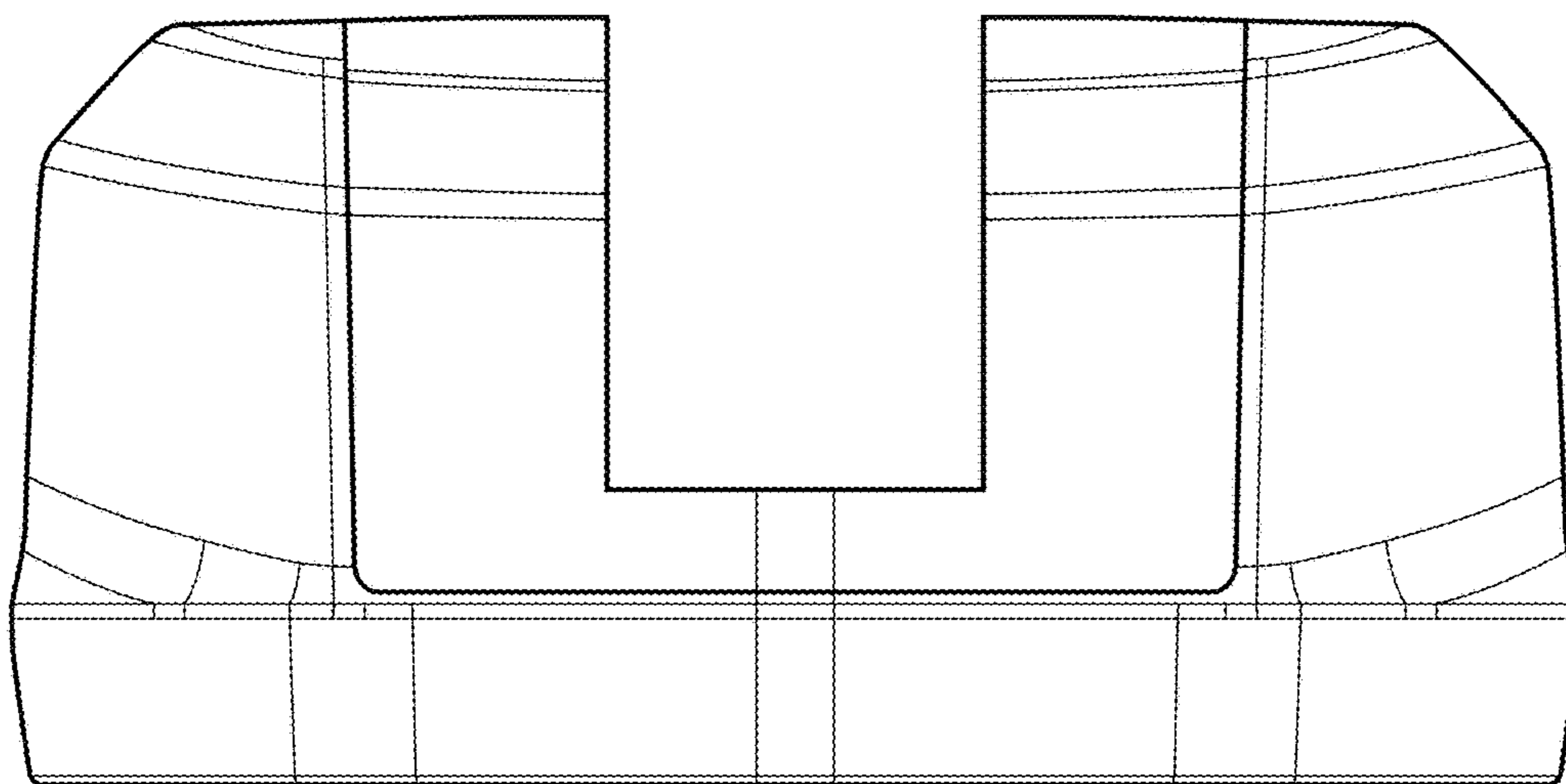


FIG. 5

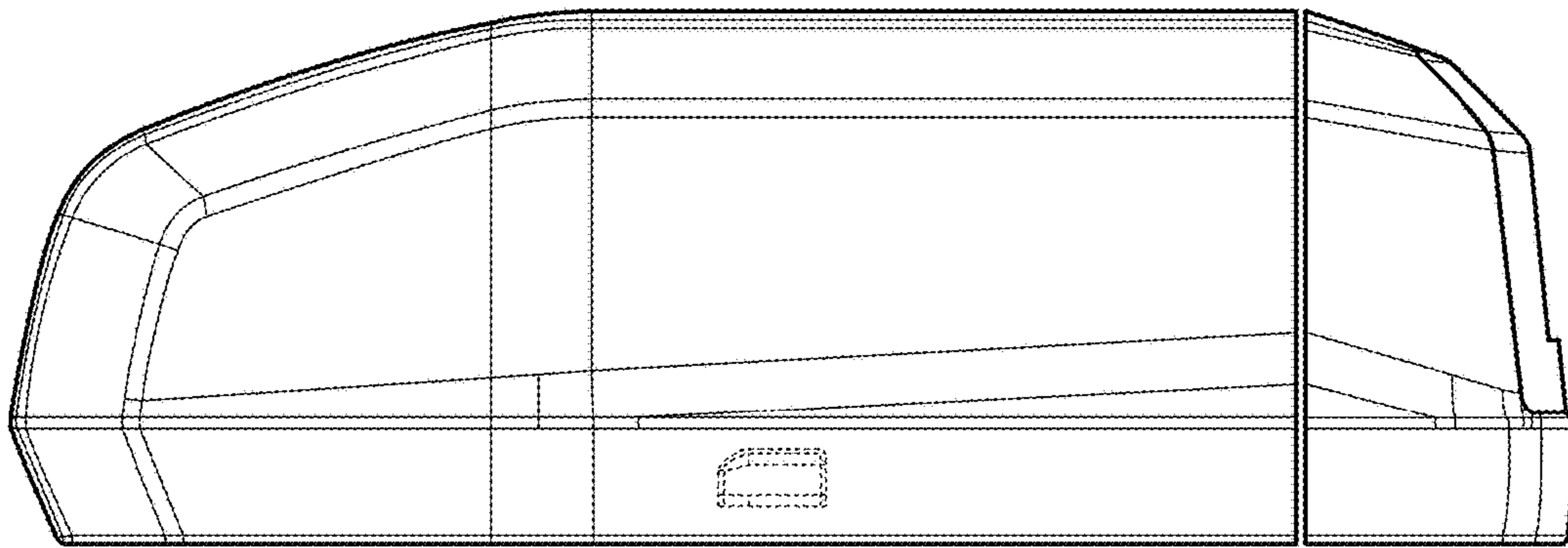


FIG. 6

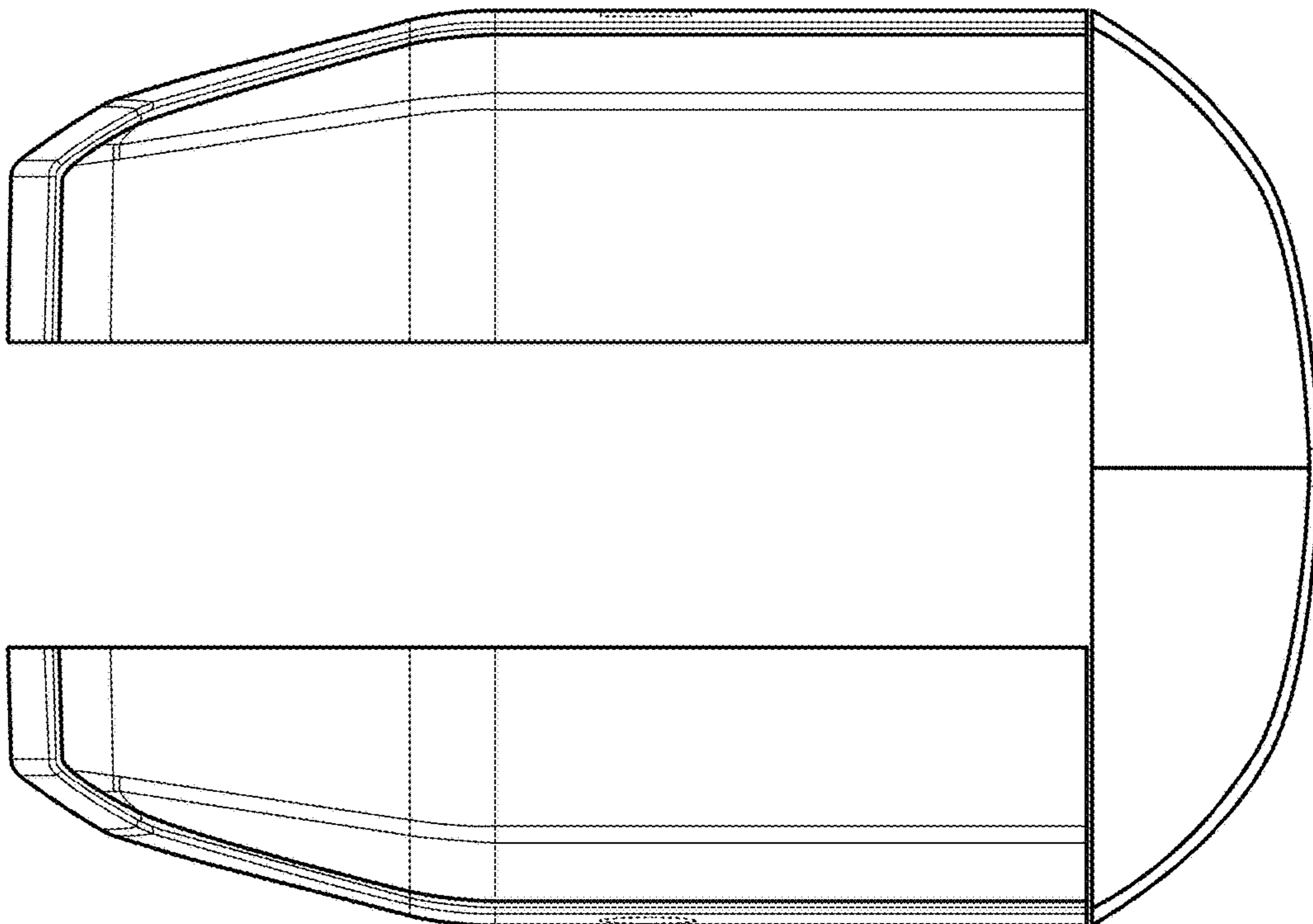


FIG. 7

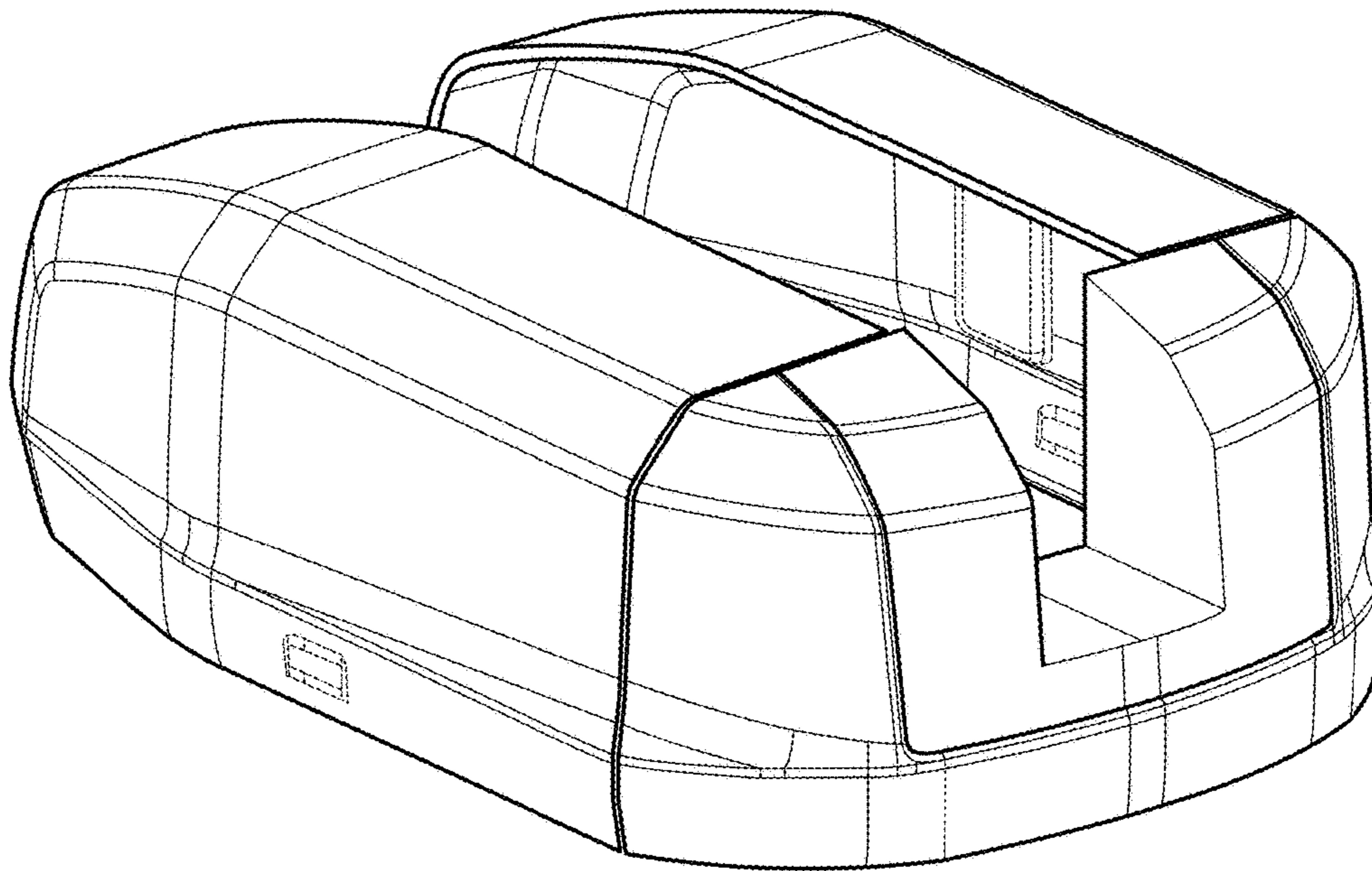


FIG. 8