



US00D823903S

(12) **United States Design Patent**  
**Guilmette**

(10) **Patent No.:** **US D823,903 S**  
(45) **Date of Patent:** **\*\* Jul. 24, 2018**

- (54) **AGGREGATE SPREADER**
- (71) Applicant: **George Guilmette**, Somersworth, NH (US)
- (72) Inventor: **George Guilmette**, Somersworth, NH (US)
- (\*\*) Term: **15 Years**
- (21) Appl. No.: **29/604,323**
- (22) Filed: **May 17, 2017**
- (51) **LOC (11) Cl.** ..... **15-03**
- (52) **U.S. Cl.**  
USPC ..... **D15/28**
- (58) **Field of Classification Search**  
USPC ..... D15/13, 21, 27, 28, 33; 404/96, 103, 404/104, 108, 98  
CPC .... E01C 19/428; E01C 19/4866; E01C 19/20; E01C 19/482; E01C 19/00; E01C 19/48; E01C 19/15; E01C 19/466; E01C 23/06; E01C 23/00; E02F 3/7695  
See application file for complete search history.

4,900,185	A *	2/1990	Foertsch	.....	E01C 19/185	404/104
4,954,010	A *	9/1990	Montgomery	.....	E01C 23/0973	404/101
6,089,785	A	7/2000	Bergman			
D476,999	S *	7/2003	Truan	.....	D15/28	
6,612,774	B1	9/2003	Dulin			
6,659,376	B2	12/2003	Savard			
6,962,490	B2	11/2005	Garden			
D668,692	S *	10/2012	Noon	.....	D15/28	
8,297,879	B1	10/2012	Schmidt			
9,714,498	B1 *	7/2017	Bucher	.....	E02F 3/7622	
9,797,098	B2 *	10/2017	Guilmette	.....	E01C 19/4866	
9,816,236	B2 *	11/2017	Loomis	.....	E01C 19/12	
2006/0230646	A1 *	10/2006	Schmidt	.....	E02F 3/7609	37/381
2010/0316444	A1	12/2010	Waldo			
2011/0016756	A1 *	1/2011	Schmidt	.....	E02F 3/325	37/403
2011/0305551	A1 *	12/2011	Neumann	.....	E01C 19/15	414/680
2017/0051460	A1 *	2/2017	Guilmette	.....	E01C 19/4866	

\* cited by examiner

*Primary Examiner* — Mark Goodwin

(57) **CLAIM**

The ornamental design for a aggregate spreader, as shown and described.

**DESCRIPTION**

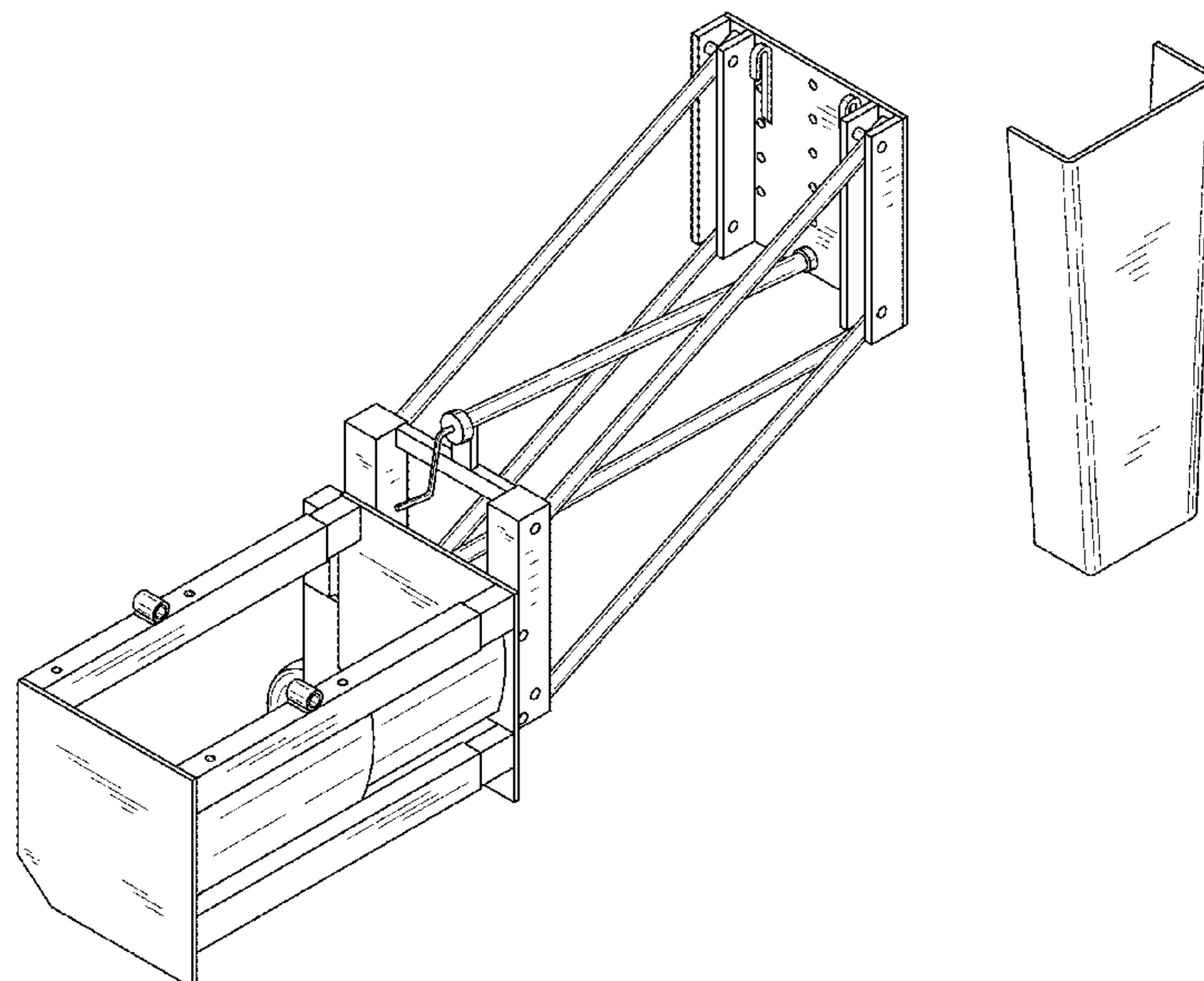
FIG. 1 is a front view of a aggregate spreader showing my new design;  
FIG. 2 is a rear view of the aggregate spreader;  
FIG. 3 is a left side view of the aggregate spreader;  
FIG. 4 is a right side view of the aggregate spreader;  
FIG. 5 is a top view of the aggregate spreader;  
FIG. 6 is a bottom view of the aggregate spreader; and,  
FIG. 7 is a rear top side perspective view of the aggregate spreader.

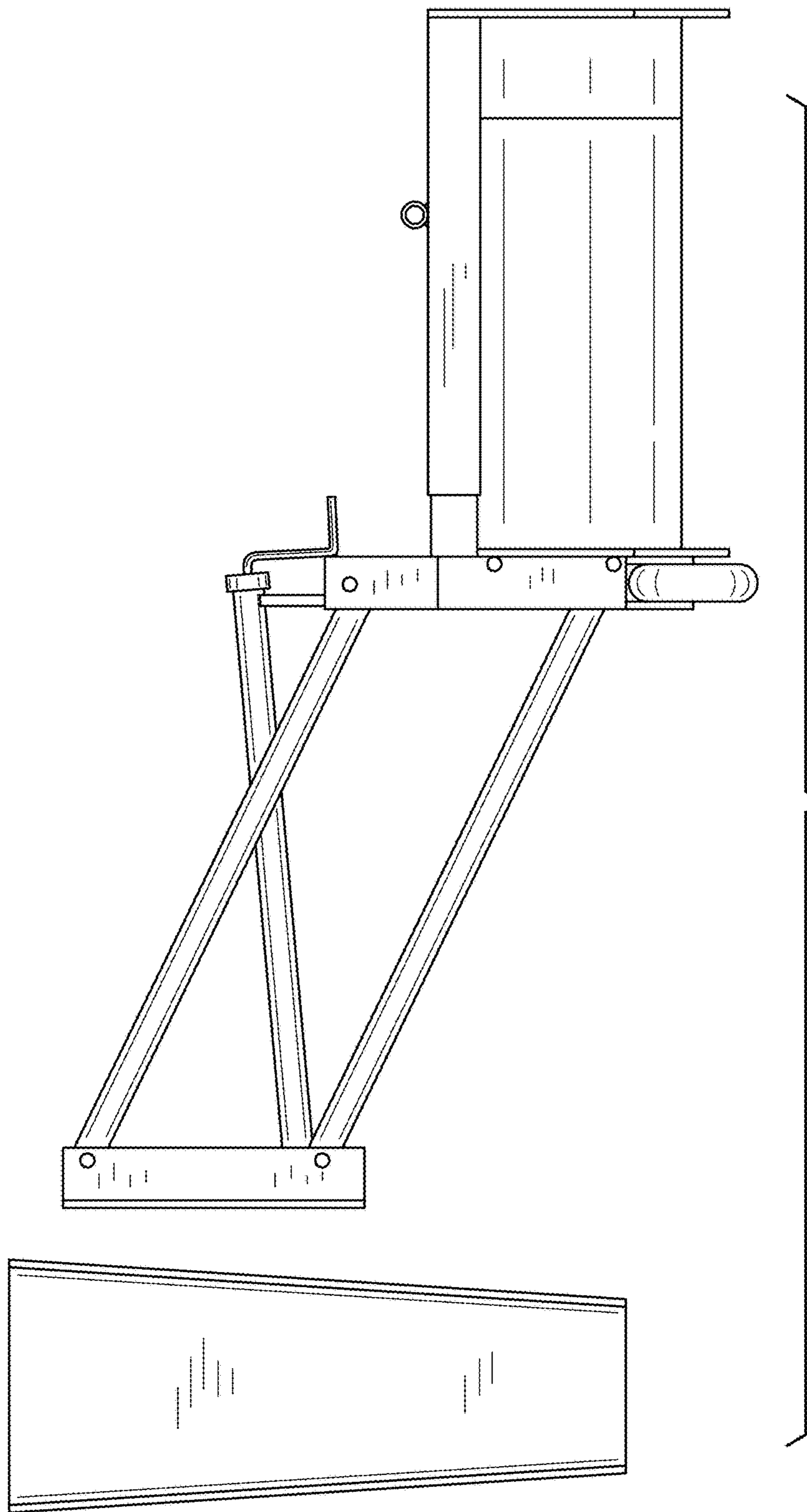
**1 Claim, 6 Drawing Sheets**

(56) **References Cited**

U.S. PATENT DOCUMENTS

1,987,729	A *	1/1935	Bash	.....	E02F 3/7659	172/305
2,188,553	A *	1/1940	Lathrop	.....	E01C 19/185	404/104
3,815,824	A *	6/1974	Olson	.....	E01C 19/203	239/674
4,492,490	A *	1/1985	Christine	.....	E01C 23/06	296/183.2
4,571,119	A	2/1986	Jones et al.			
4,655,297	A *	4/1987	Bourgeois, Jr.	.....	E02F 3/7622	172/445.1
4,767,234	A *	8/1988	Rizzo	.....	E01C 19/16	118/108





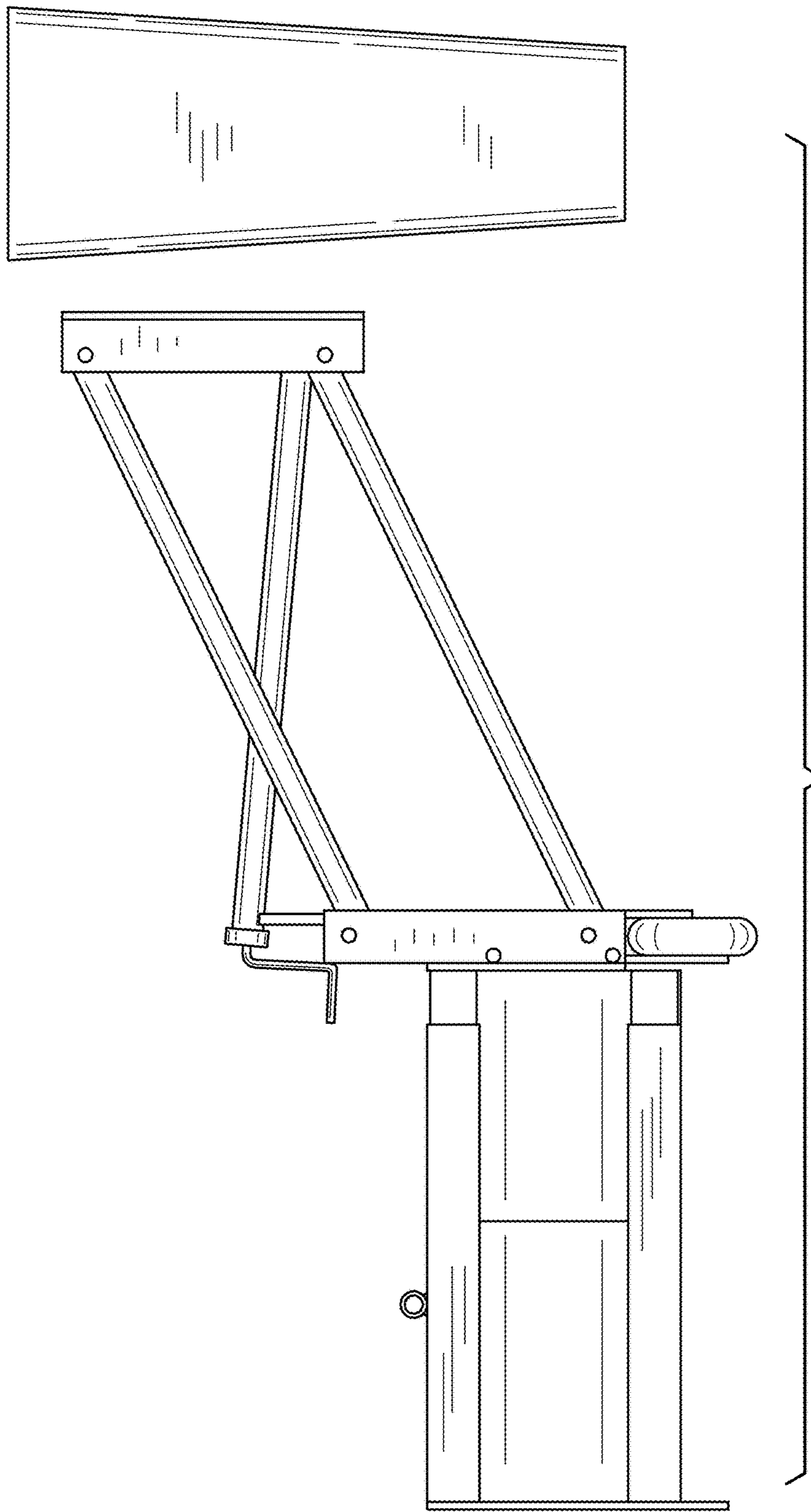


FIG. 2

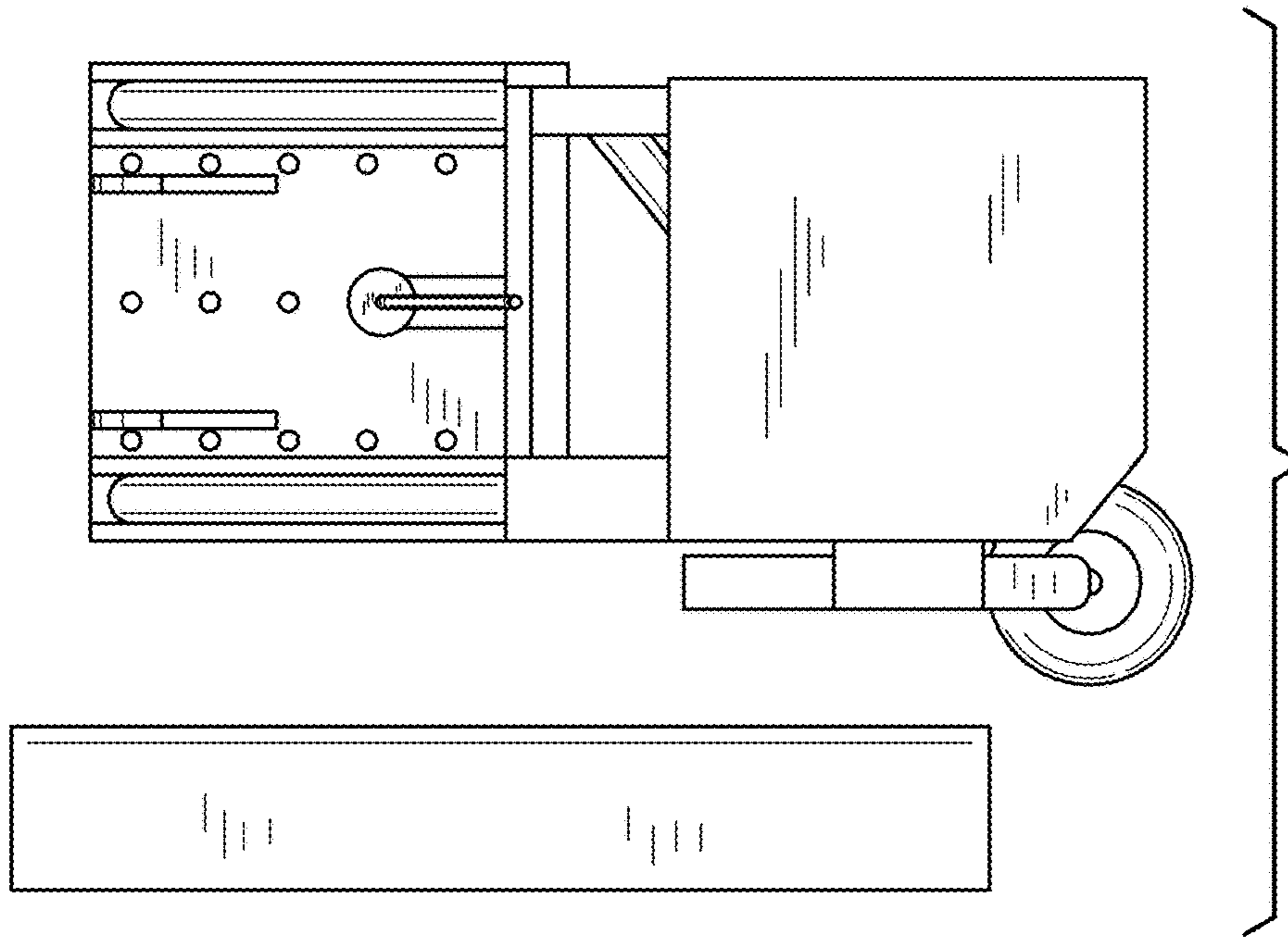


FIG. 3

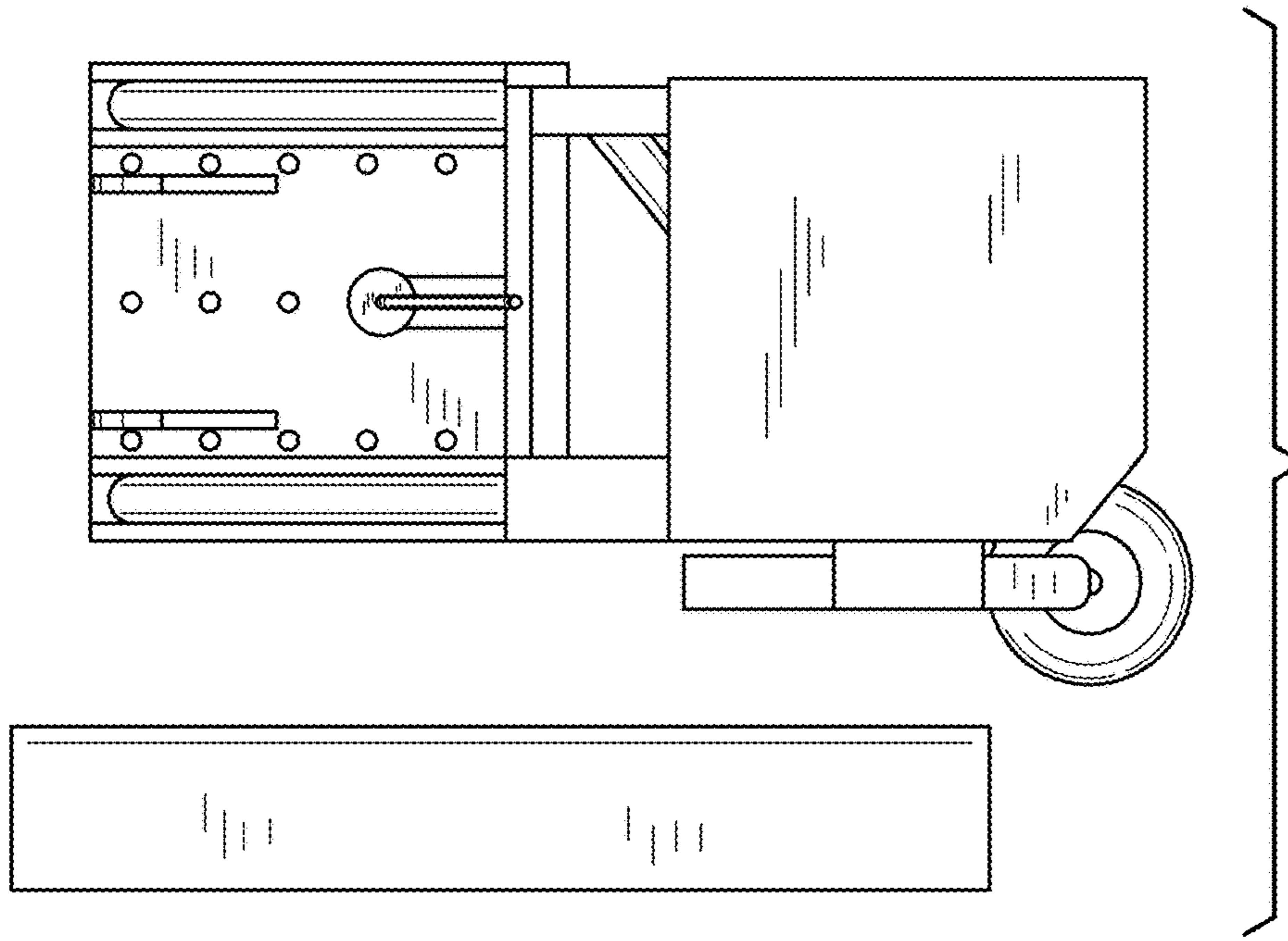


FIG. 4

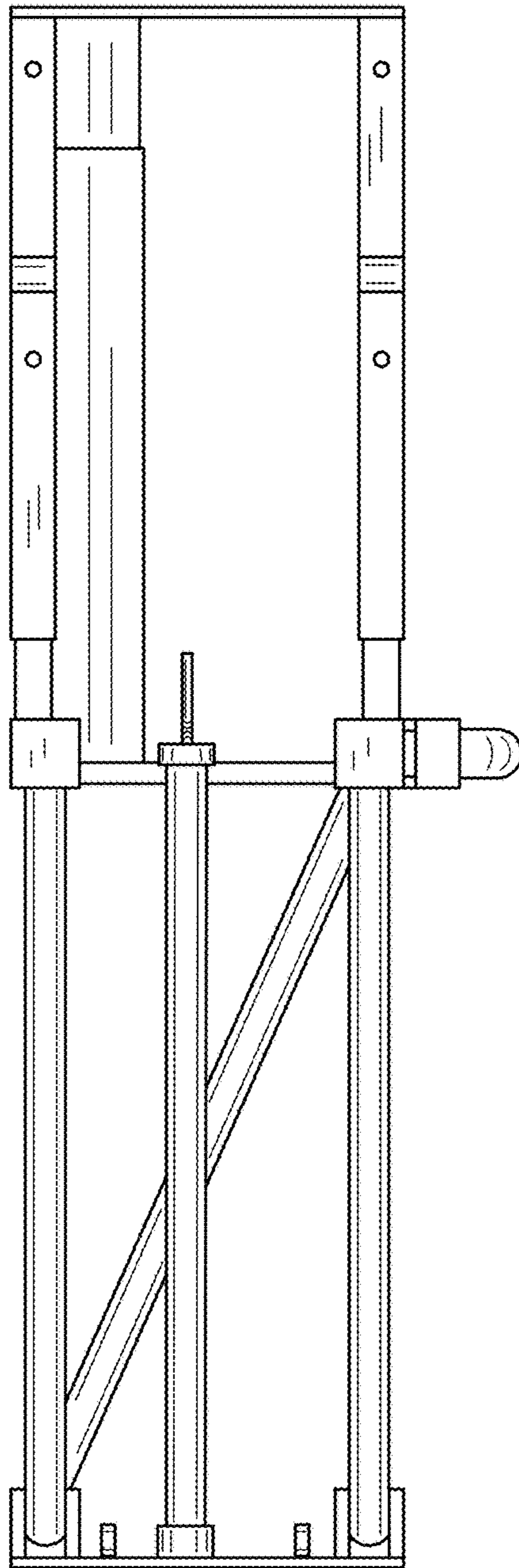


FIG. 5

