



US00D823901S

(12) **United States Design Patent**
Scampoli

(10) **Patent No.:** **US D823,901 S**

(45) **Date of Patent:** **** Jul. 24, 2018**

(54) **SAMPLE CELL FOR GAS SAMPLING SYSTEM**

CPC A61B 5/08-5/097; Y10T
436/20-436/209163; G01N 21/6408;
G01N 21/783; G01N 2021/7786; G01N
2021/6432

(71) Applicant: **KONINKLIJKE PHILIPS N.V.**,
Eindhoven (NL)

See application file for complete search history.

(72) Inventor: **David Scampoli**, South Glastonbury,
CT (US)

(56) **References Cited**

(73) Assignee: **KONINKLIJKE PHILIPS N.V.**,
Eindhoven (NL)

U.S. PATENT DOCUMENTS

(**) Term: **15 Years**

D692,462 S *	10/2013	Scampoli	D15/7
D697,084 S *	1/2014	Scampoli	D15/7
D697,085 S *	1/2014	Scampoli	D15/7
D697,086 S *	1/2014	Scampoli	D15/7
D697,087 S *	1/2014	Scampoli	D15/7
D708,647 S *	7/2014	Scampoli	D15/7
D724,624 S *	3/2015	Schlenker	D15/7
D727,492 S *	4/2015	Scampoli	D24/110
D739,770 S *	9/2015	Scampoli	D10/81

(21) Appl. No.: **35/501,767**

(22) Filed: **Apr. 27, 2016**

* cited by examiner

(80) **Hague Agreement Data**

Int. Filing Date: **Apr. 27, 2016**

Primary Examiner — Richard E Chilcot

Int. Reg. No.: **DM/090485**

(57) **CLAIM**

Int. Reg. Date: **Apr. 27, 2016**

The ornamental design for a sample cell for gas sampling system, as shown and described.

Int. Reg. Pub. Date: **Oct. 28, 2016**

DESCRIPTION

(30) **Foreign Application Priority Data**

Nov. 25, 2015 (EM) 002875450-0001

(51) **LOC (11) Cl.** **15-02**

(52) **U.S. Cl.**

USPC **D15/7**

CPC **A61B 5/08** (2013.01)

(58) **Field of Classification Search**

USPC D10/81, 96; D15/7; D24/129; 417/60,
417/235, 265, 321, 355, 358, 363, 410.1,
417/415, 416, 900

1. Sample cell for gas sampling system

1.1 is a perspective view showing the sample cell for gas sampling system of my design;

1.2 is a front elevational view thereof;

1.3 is a rear elevational view thereof;

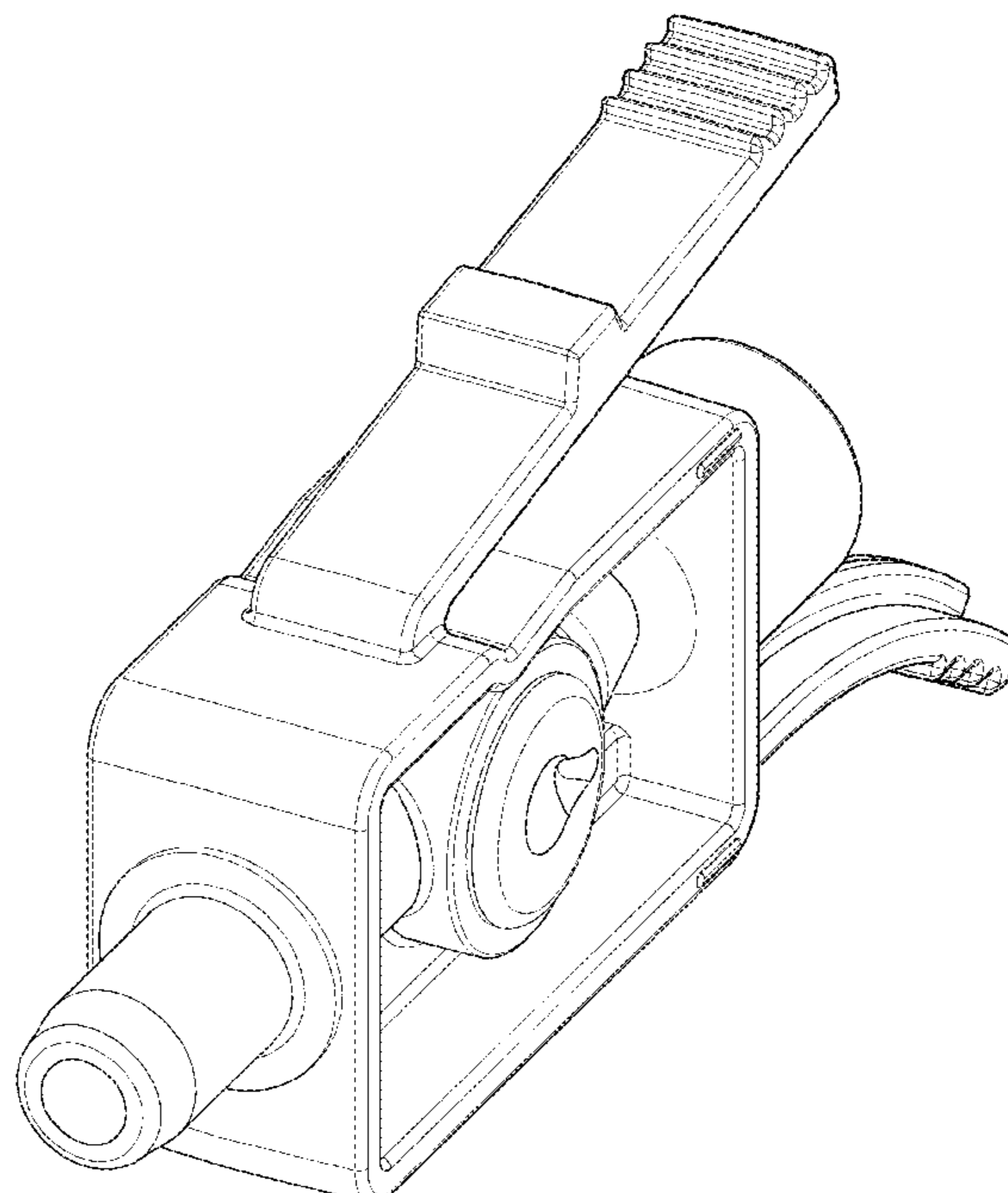
1.4 is a left side elevational view thereof;

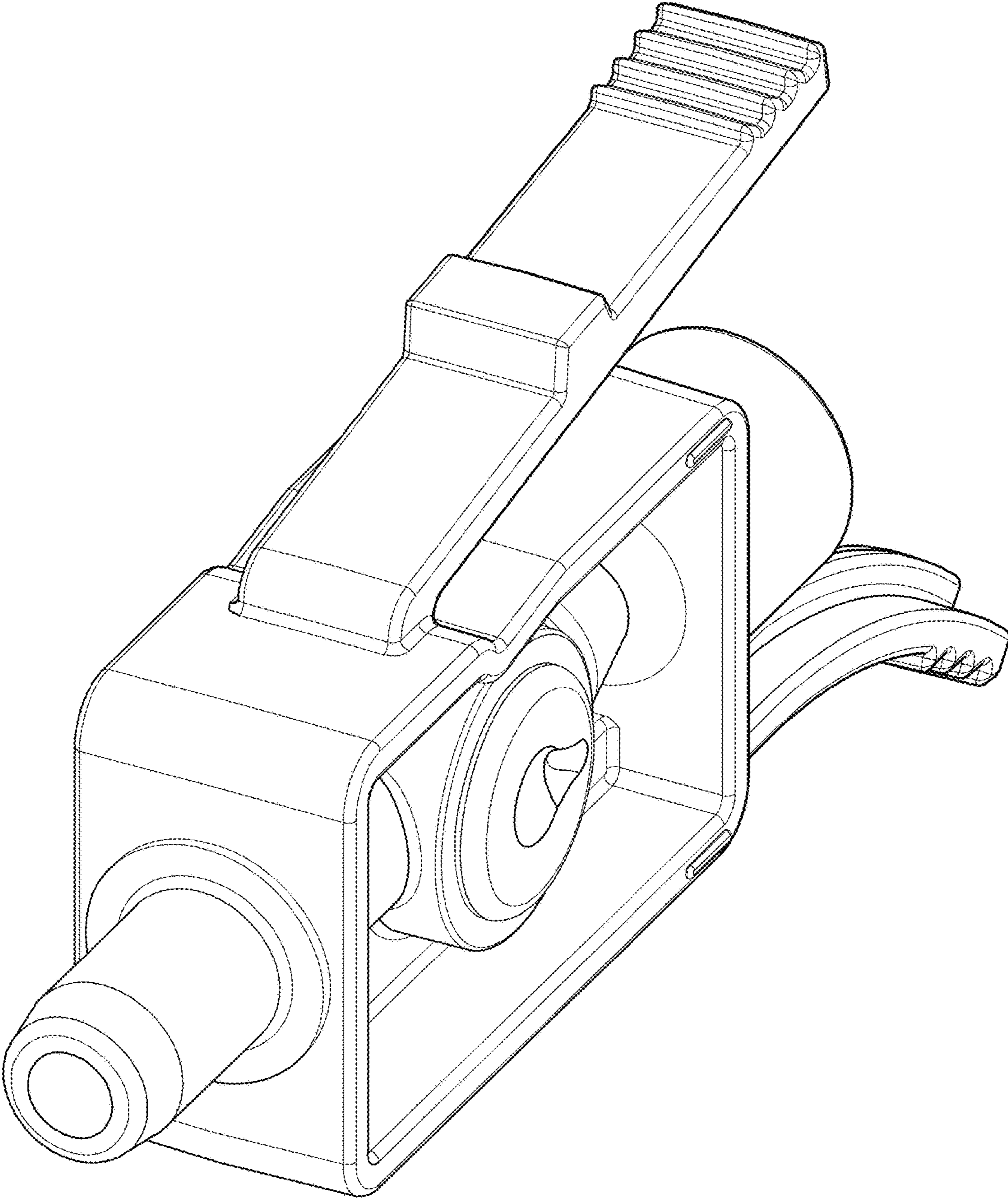
1.5 is a right side elevational view thereof;

1.6 is a top plan view thereof; and

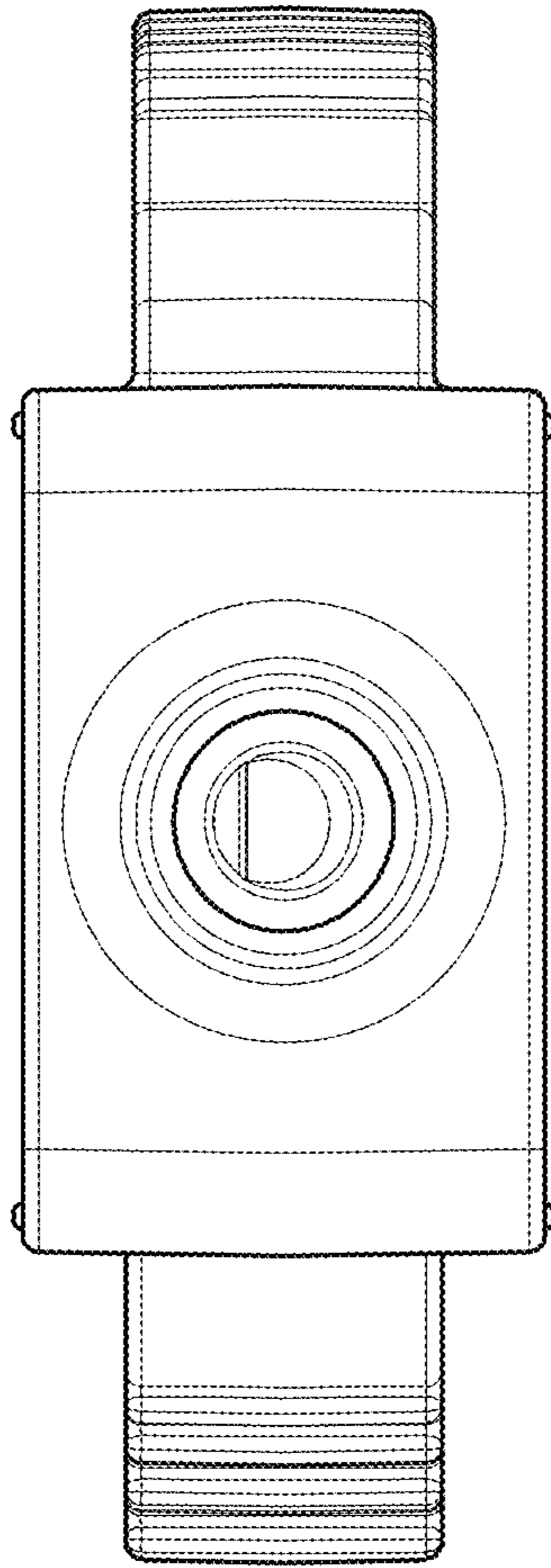
1.7 is a bottom plan view thereof.

1 Claim, 7 Drawing Sheets

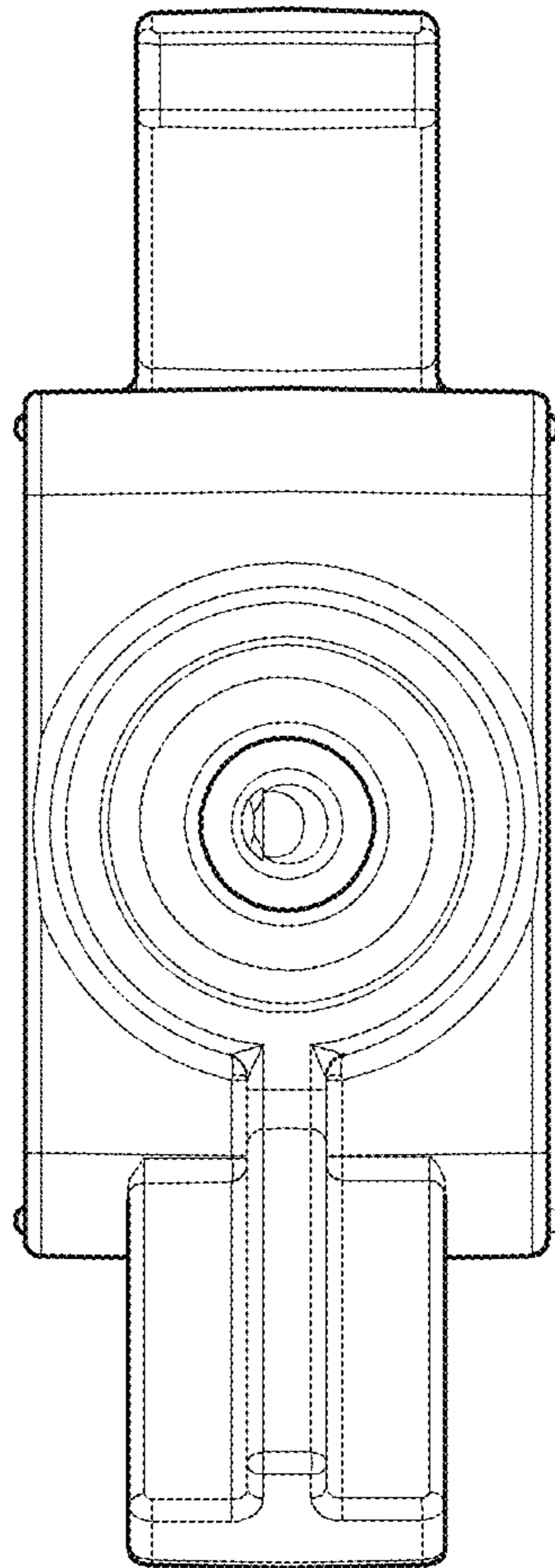




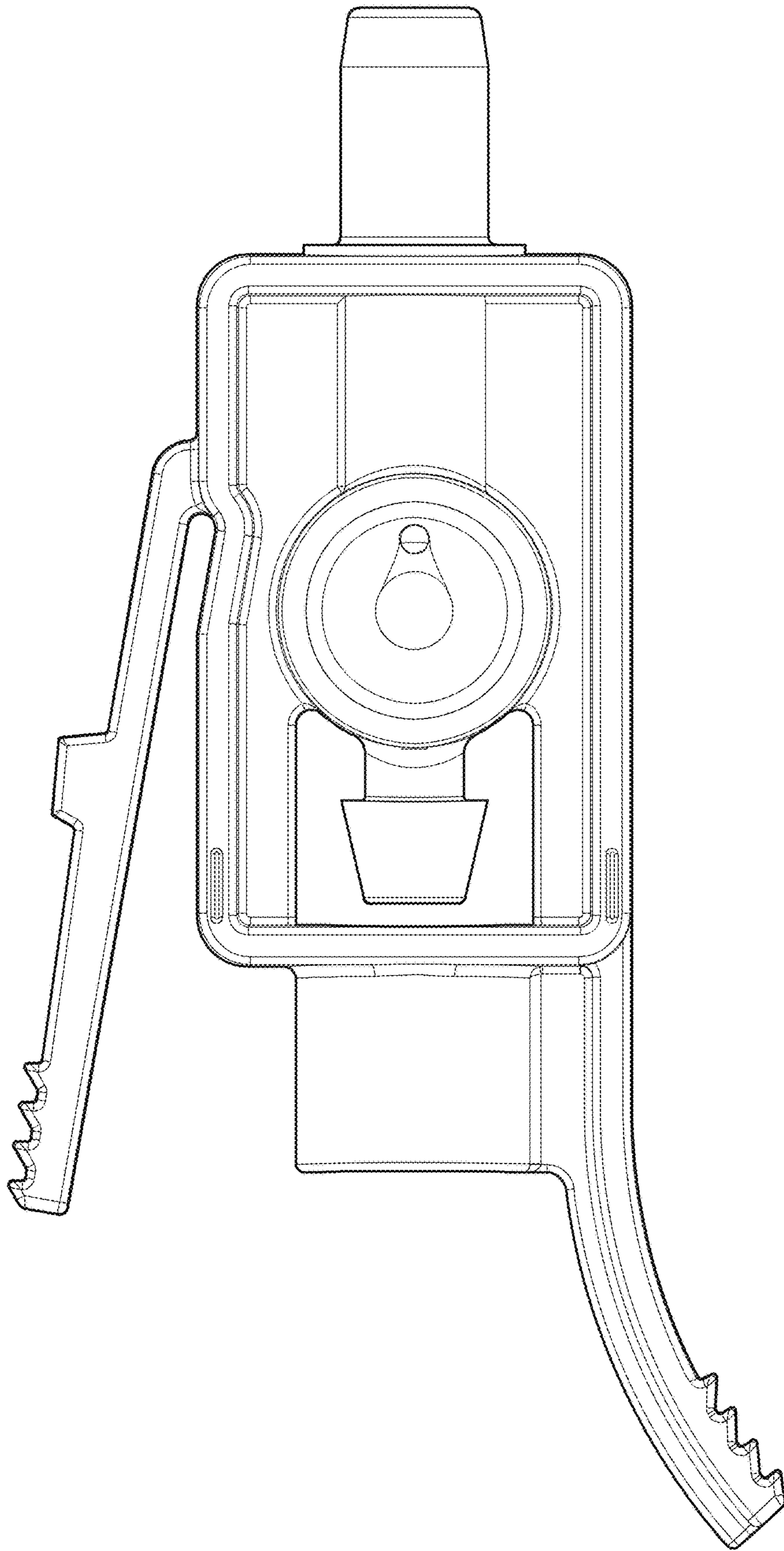
1.1



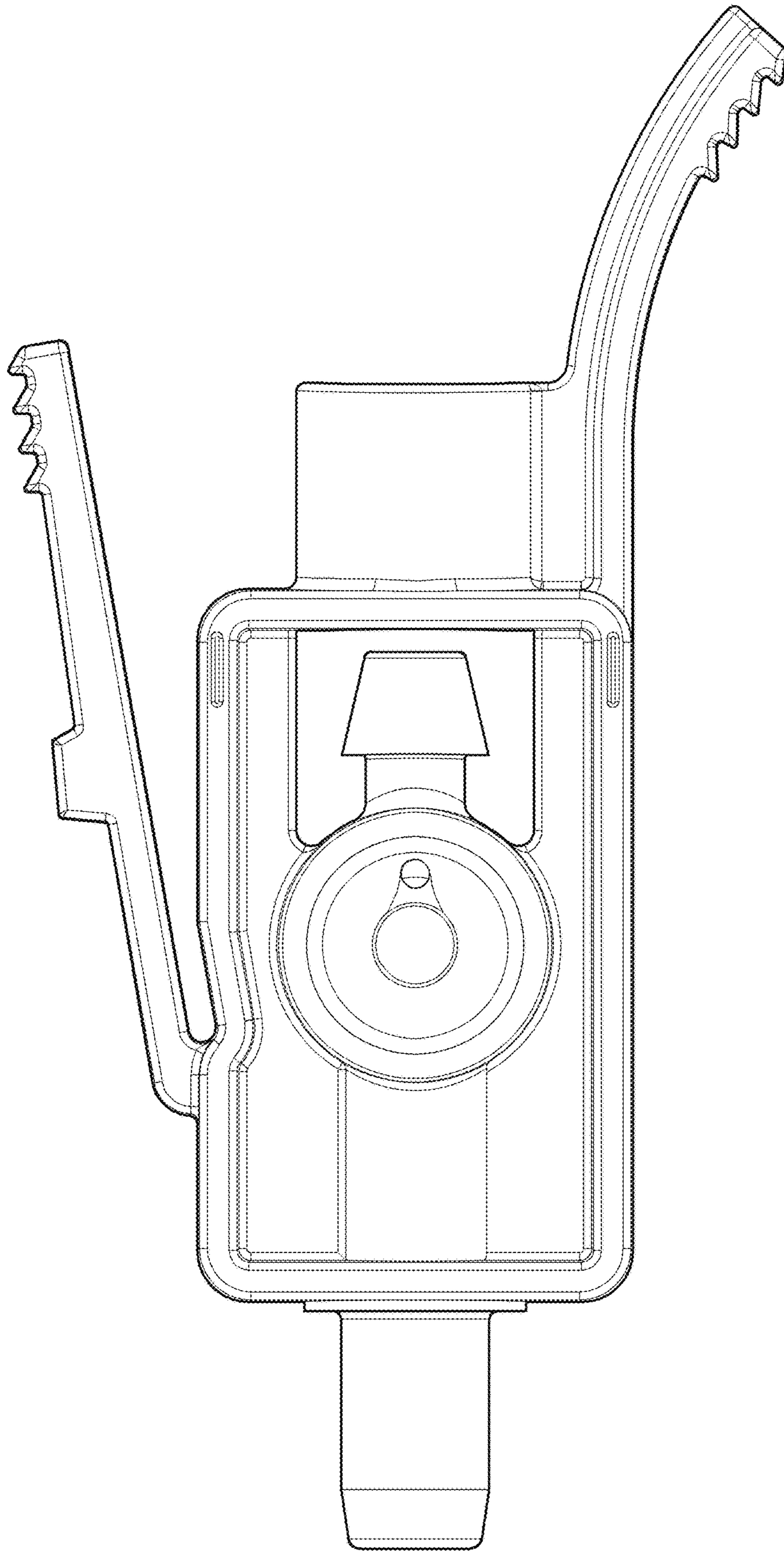
1.2



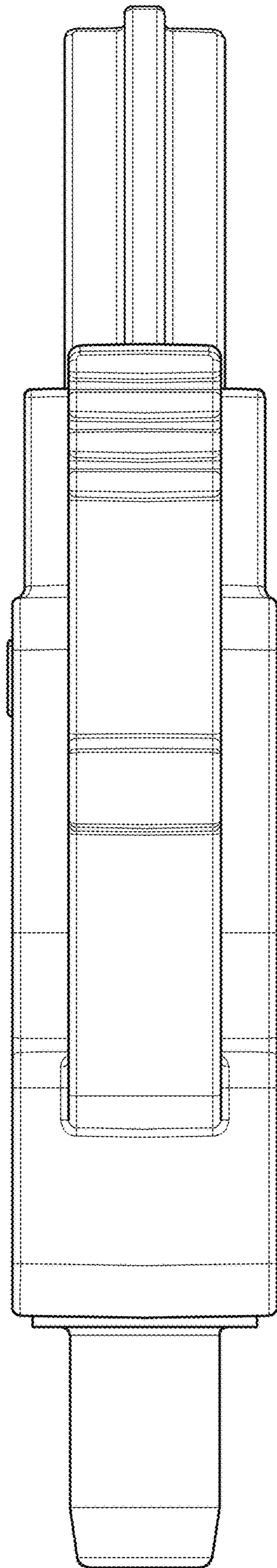
1.3



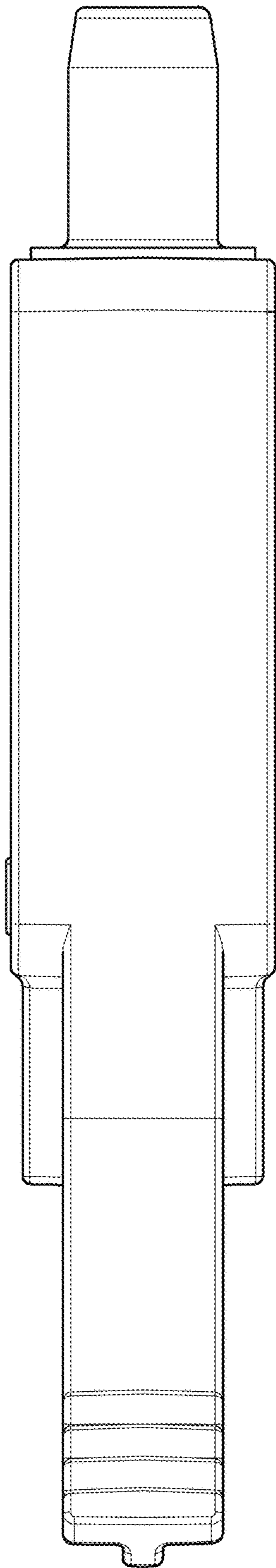
1.4



1.5



1.6



1.7