



US00D823900S

(12) **United States Design Patent**
Alexander et al.

(10) **Patent No.:** **US D823,900 S**
(45) **Date of Patent:** **** Jul. 24, 2018**

(54) **PRESSURE WASHER PUMP**

(71) Applicant: **FNA Group, Inc.**, Pleasant Prairie, WI (US)

(72) Inventors: **Gus Alexander**, Inverness, IL (US);
Paulo Rogerio Funk Kolicheski, Gurnee, IL (US)

(73) Assignee: **FNA Group, Inc.**, Pleasant Prairie, WI (US)

(**) Term: **15 Years**

(21) Appl. No.: **29/607,842**

(22) Filed: **Jun. 16, 2017**

(51) **LOC (11) Cl.** **15-02**

(52) **U.S. Cl.**
USPC **D15/7**

(58) **Field of Classification Search**
USPC D15/7-9; D23/231, 232, 225; 417/60, 417/235, 265, 321, 355, 358, 363, 359, 417/410.1, 415-416, 405, 900, 269, 539; 60/408, 412; 184/26-37; 415/140-147; 123/495, 509; 137/565.34

CPC F02M 37/04; F02M 37/14; F04B 53/92; F04B 1/005; F04D 13/06; F04D 29/22; F04D 29/046; F04D 29/2266

See application file for complete search history.

(56) **References Cited**

U.S. PATENT DOCUMENTS

D205,691 S	9/1966	Ruliffson
D354,495 S	1/1995	Tojo
5,494,414 A	2/1996	Steinhart et al.
D476,665 S	7/2003	Stewart
D536,005 S	1/2007	Reverberi
D538,824 S	3/2007	Tojo
D538,826 S	3/2007	Kienzle
D553,157 S	10/2007	Busschaert
D554,152 S	10/2007	Ratner

(Continued)

OTHER PUBLICATIONS

Notice of Allowance issued in U.S. Appl. No. 29/407,459 dated Jun. 22, 2012.

(Continued)

Primary Examiner — Ralf T Seifert

(74) *Attorney, Agent, or Firm* — Steven E. Jedlinski; Jeffrey T. Placker; Holland & Knight LLP

(57) **CLAIM**

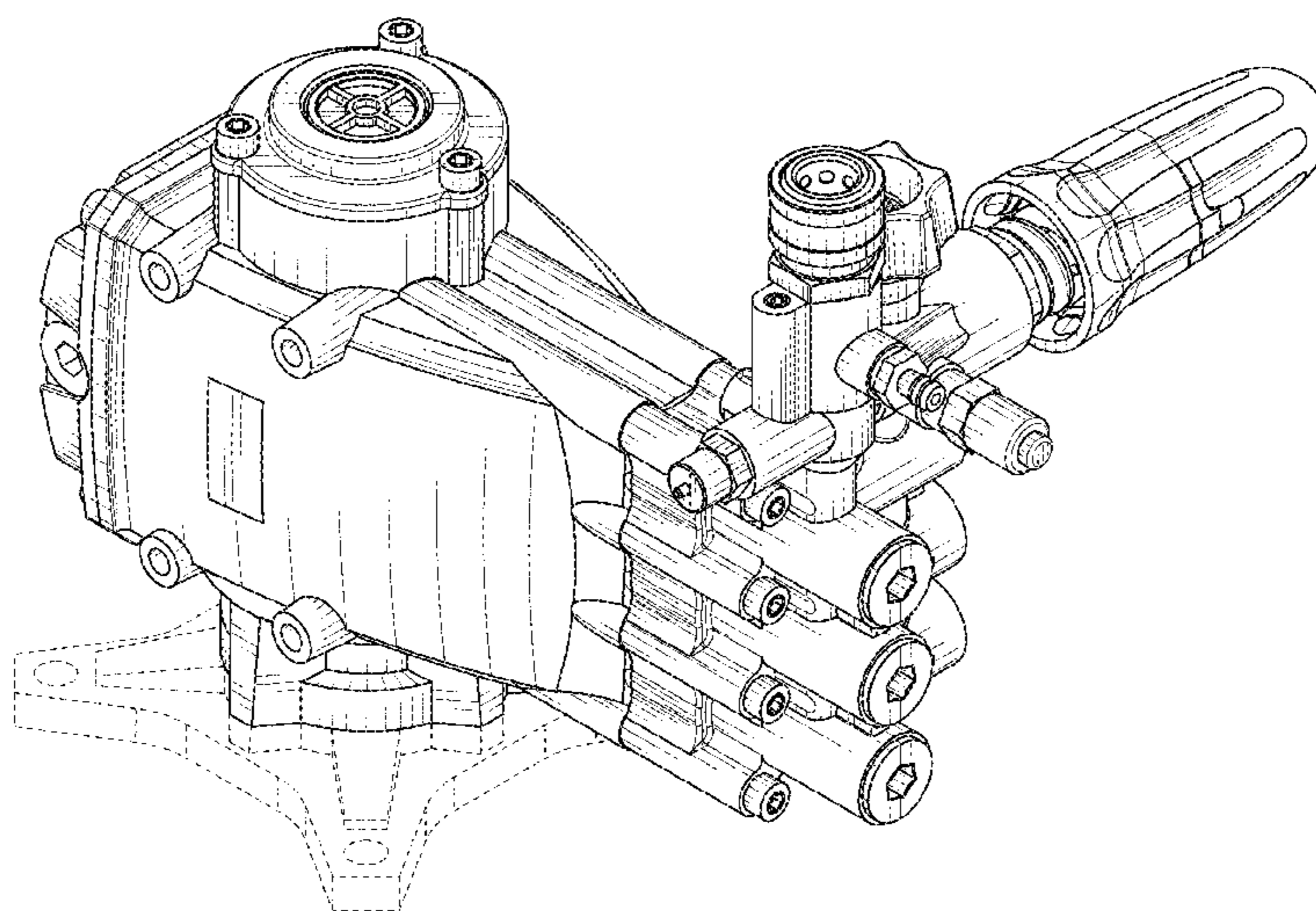
The ornamental design for a pressure washer pump, as shown and described.

DESCRIPTION

FIG. 1 is a bottom-front perspective view of a pressure washer pump having a first mounting configuration; FIG. 2 is a top-front perspective view thereof; FIG. 3 is right side-front perspective view thereof; FIG. 4 is a front elevation view thereof; FIG. 5 is a rear elevation view thereof; FIG. 6 is a bottom plan view thereof; FIG. 7 is a top plan view thereof; FIG. 8 is a right side elevation view thereof; FIG. 9 is a left side elevation view thereof; FIG. 10 is bottom-front perspective view of the pressure washer pump having a second mounting configuration; FIG. 11 is a right side-bottom perspective view of the pressure washer pump having the second mounting configuration; FIG. 12 is bottom-front perspective view of the pressure washer pump having a third mounting configuration; and, FIG. 13 is a right side-bottom perspective view of the pressure washer pump having the third mounting configuration.

The broken lines are included for the purpose of illustrating portions of the pressure washer pump that form no part of the claimed design.

1 Claim, 13 Drawing Sheets



(56)

References Cited

U.S. PATENT DOCUMENTS

D581,950	S	12/2008	Ratner	
D582,434	S	12/2008	Turgut	
D582,435	S	12/2008	Turgut	
D582,944	S	12/2008	Turgut	
D589,983	S	4/2009	Sinico	
D591,311	S	4/2009	Tojo	
D604,330	S	11/2009	Duong et al.	
7,611,337	B2	11/2009	Reverberi et al.	
D613,765	S *	4/2010	Reverberi	D15/5
D613,766	S *	4/2010	Reverberi	D15/5
D616,467	S	5/2010	Reverberi et al.	
D617,814	S	6/2010	Dreifert	
D633,101	S	2/2011	Magri	
D633,102	S	2/2011	Magri	
D633,103	S	2/2011	Magri	
D633,104	S	2/2011	Magri	
D633,105	S	2/2011	Magri	
D633,406	S	3/2011	Magri	
D634,664	S	3/2011	DaRif	
D642,594	S	8/2011	Mattson et al.	
D644,252	S	8/2011	Kojima	
D648,353	S	11/2011	Mattson et al.	
8,083,497	B2	12/2011	Giipatrick et al.	
D652,844	S	1/2012	Hanitsch et al.	
D654,095	S	2/2012	Mattson et al.	
D656,962	S	4/2012	Boldsen	
D670,312	S	11/2012	Alexander et al.	
D688,273	S	8/2013	Magri	
D691,638	S	10/2013	Alexander et al.	
D692,026	S	10/2013	Alexander et al.	
D699,762	S	2/2014	Alexander et al.	
D700,211	S	2/2014	Alexander et al.	
D700,212	S	2/2014	Alexander et al.	
D702,262	S *	4/2014	Magri	D15/9
D726,225	S	4/2015	Alexander et al.	
D726,226	S	4/2015	Alexander et al.	
D768,208	S *	10/2016	Paderni	D15/7
D771,719	S	11/2016	Van Keulen et al.	

D776,720	S	1/2017	Davalos et al.	
9,677,548	B2 *	6/2017	Paderni	F04B 1/005
D797,156	S	9/2017	Paderni et al.	

OTHER PUBLICATIONS

Non-Final Office Action issued in U.S. Appl. No. 29/427,971 dated Dec. 26, 2012.

Notice of Allowance issued in U.S. Appl. No. 29/427,971 dated Jun. 26, 2013.

Non-Final Office Action issued in U.S. Appl. No. 29/429,403 dated Dec. 27, 2012.

Notice of Allowance issued in U.S. Appl. No. 29/429,403 dated Nov. 13, 2013.

Non-Final Office Action issued in U.S. Appl. No. 29/434,059 dated Jul. 9, 2013.

Notice of Allowance issued in U.S. Appl. No. 29/434,059 dated Oct. 11, 2013.

Notice of Allowance issued in U.S. Appl. No. 29/443,833 dated Jul. 5, 2013.

Non-Final Office Action issued in U.S. Appl. No. 29/477,533 dated Aug. 22, 2014.

Notice of Allowance issued in U.S. Appl. No. 29/477,533 dated Dec. 3, 2014.

Non-Final Office Action issued in U.S. Appl. No. 29/477,559 dated Aug. 25, 2014.

Notice of Allowance issued in U.S. Appl. No. 29/477,559 dated Dec. 2, 2014.

Non-Final Office Action issued in U.S. Appl. No. 29/598,843 dated Jan. 24, 2018.

Notice of Allowance issued in U.S. Appl. No. 29/603,199 dated Feb. 28, 2018.

Non-Final Office Action issued in U.S. Appl. No. 29/604,568 dated Feb. 13, 2018.

Non-Final Office Action issued in U.S. Appl. No. 29/604,046 dated Feb. 16, 2018.

* cited by examiner

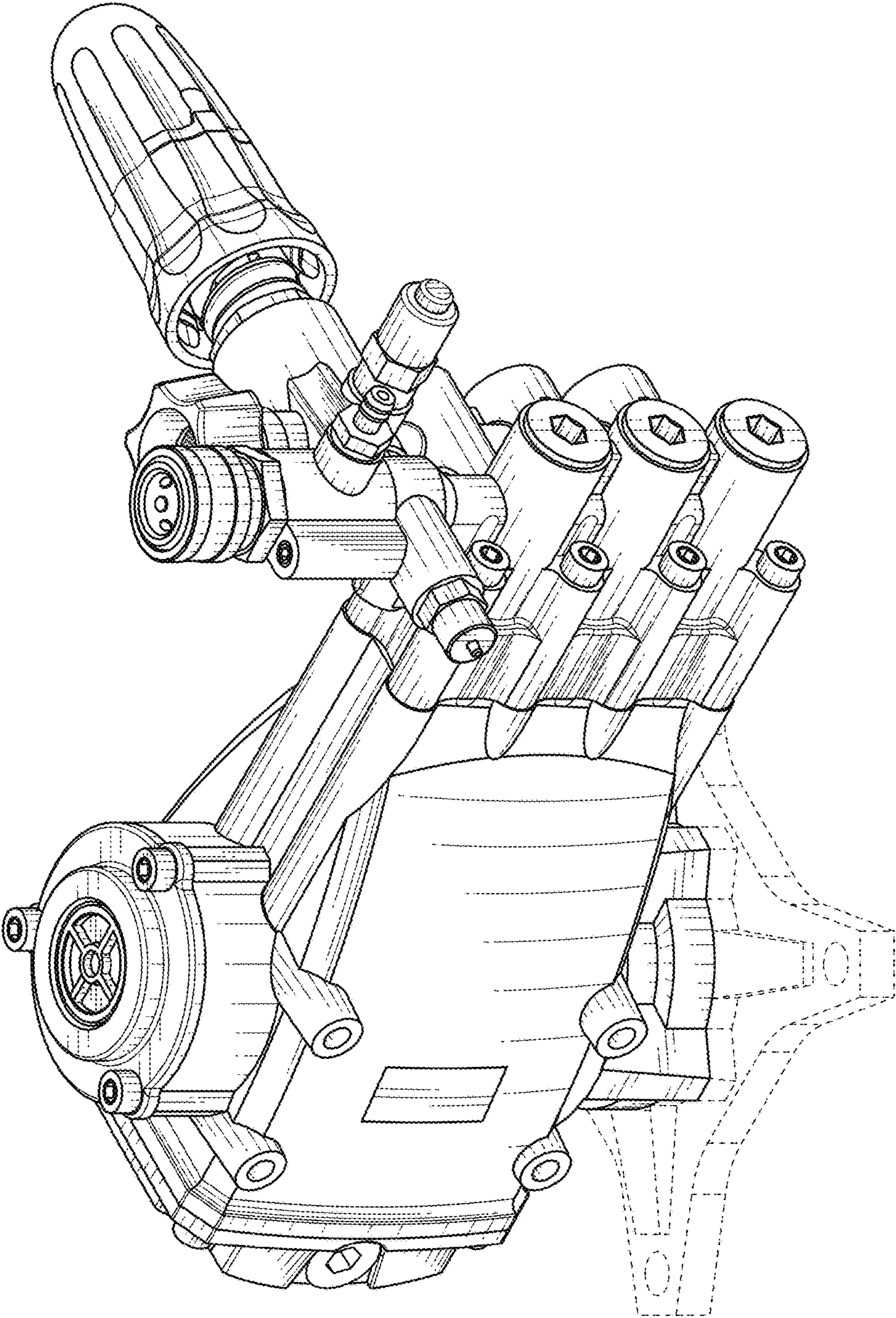


FIG. 1

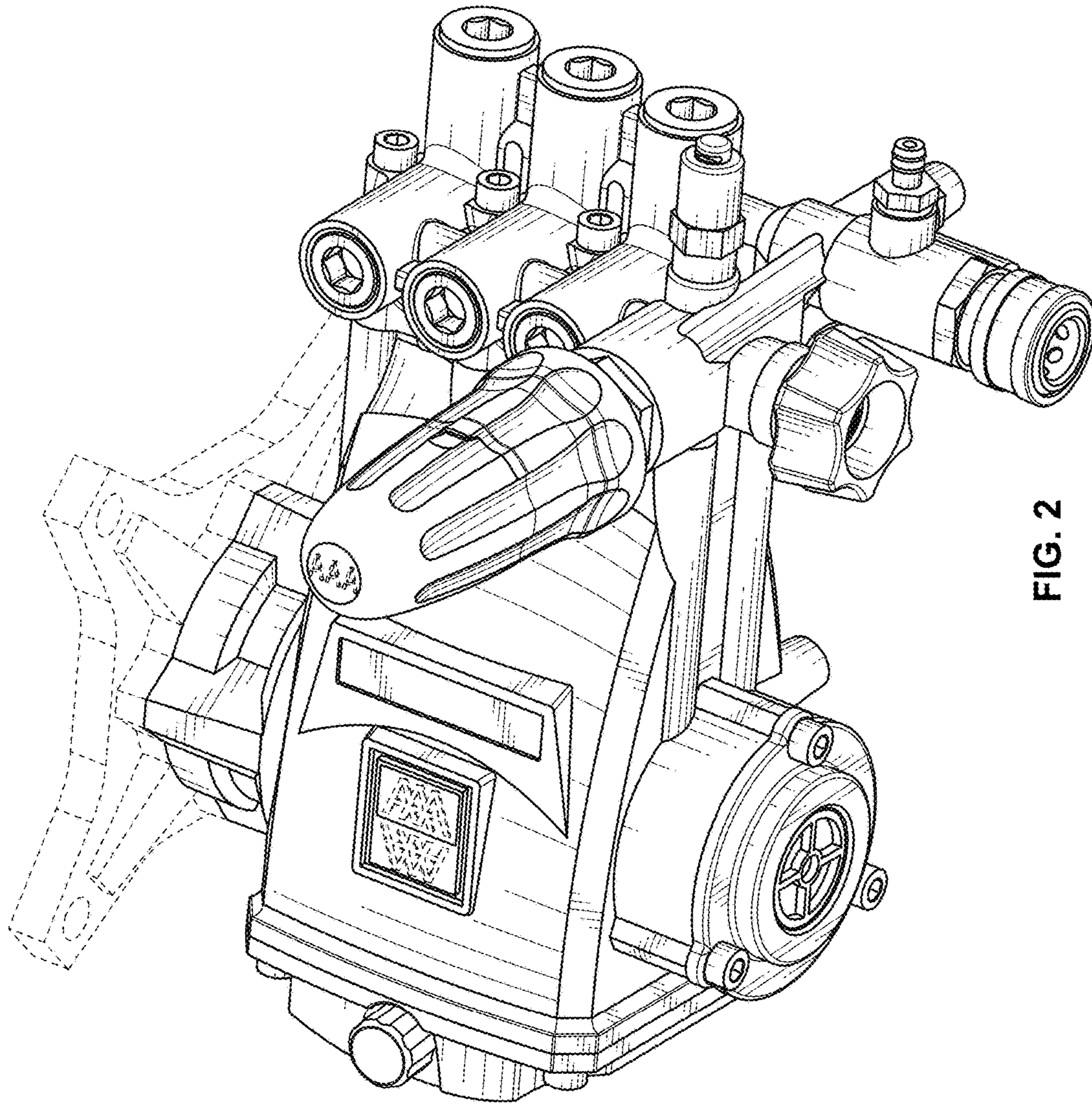


FIG. 2

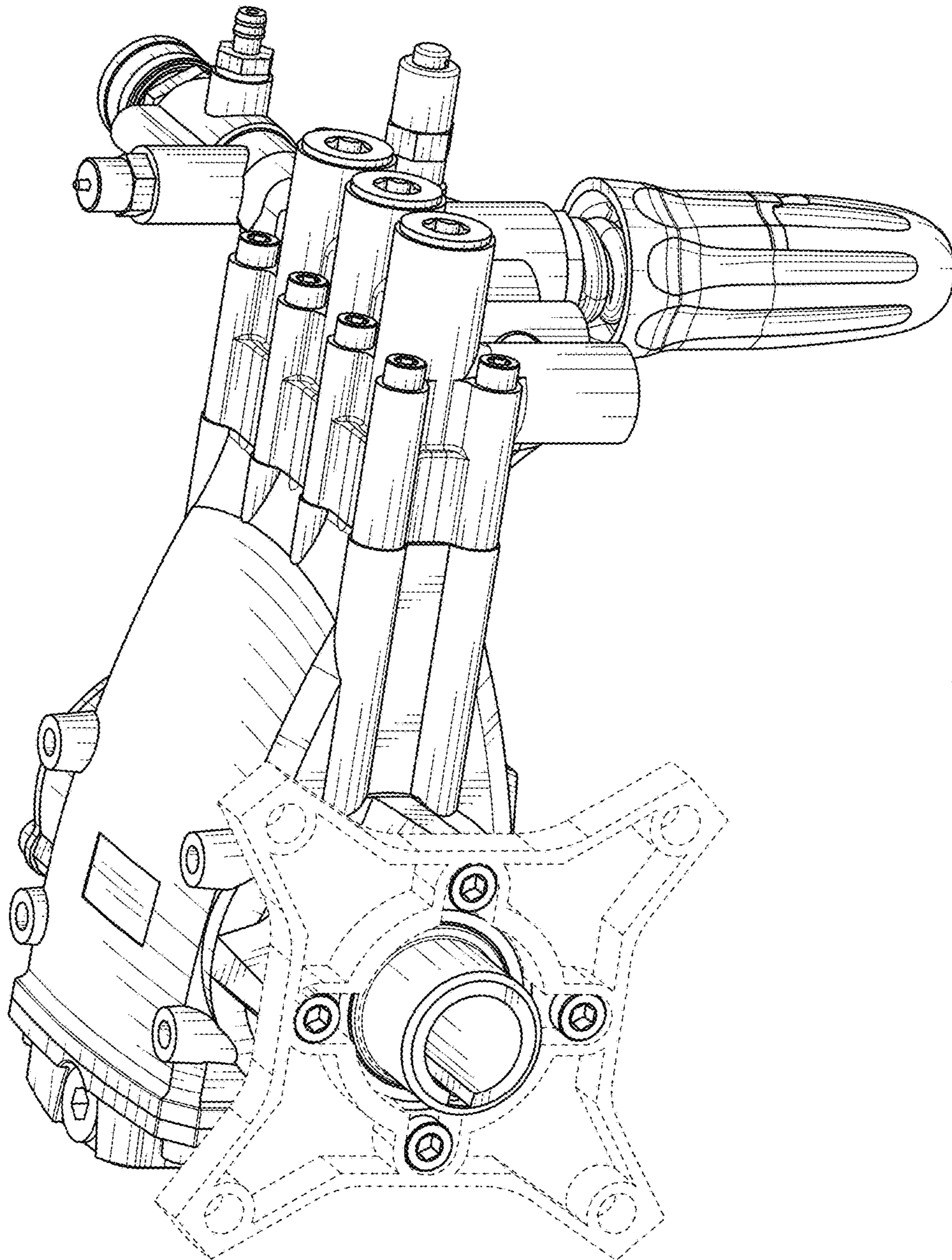


FIG. 3

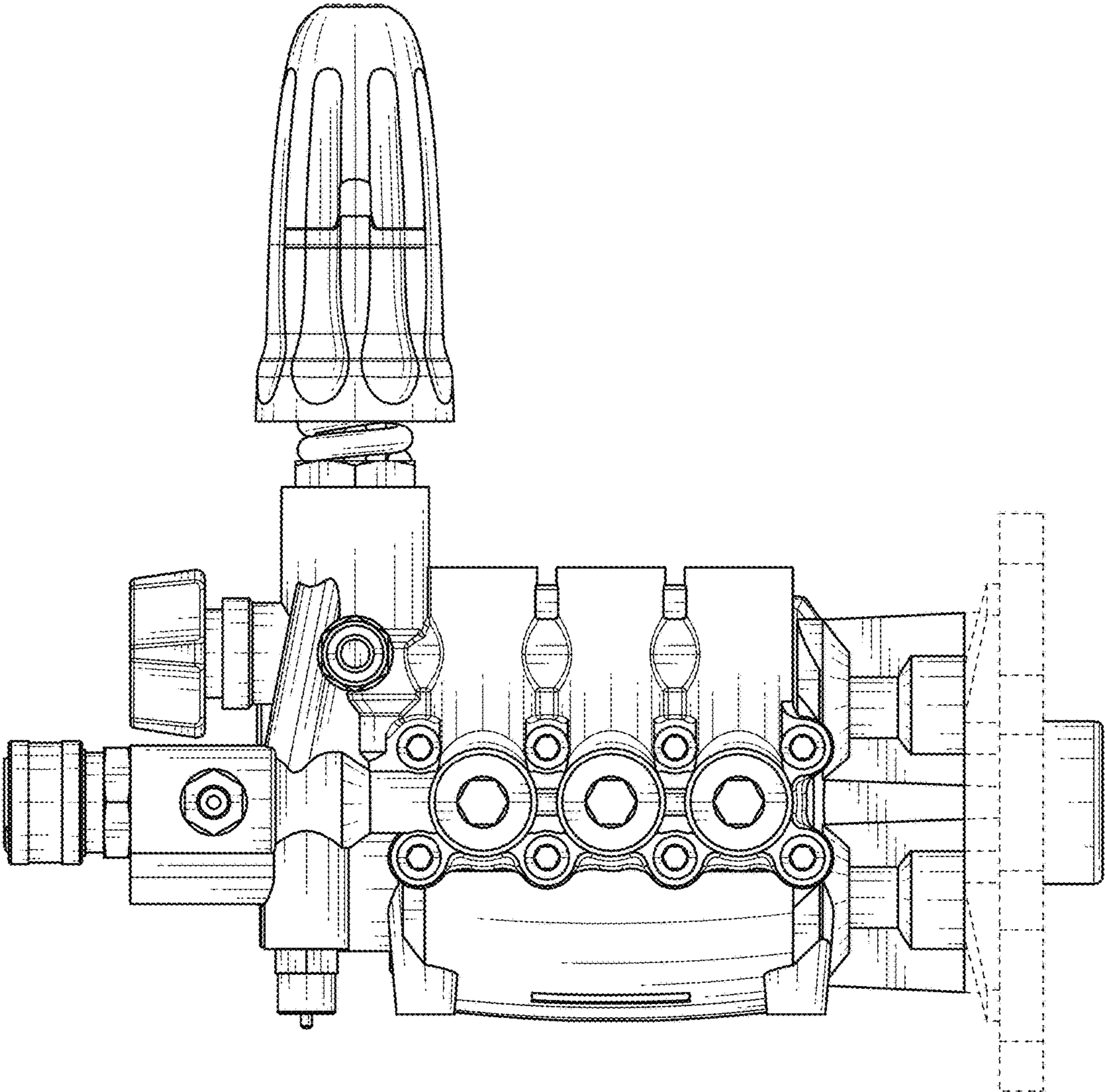


FIG. 4

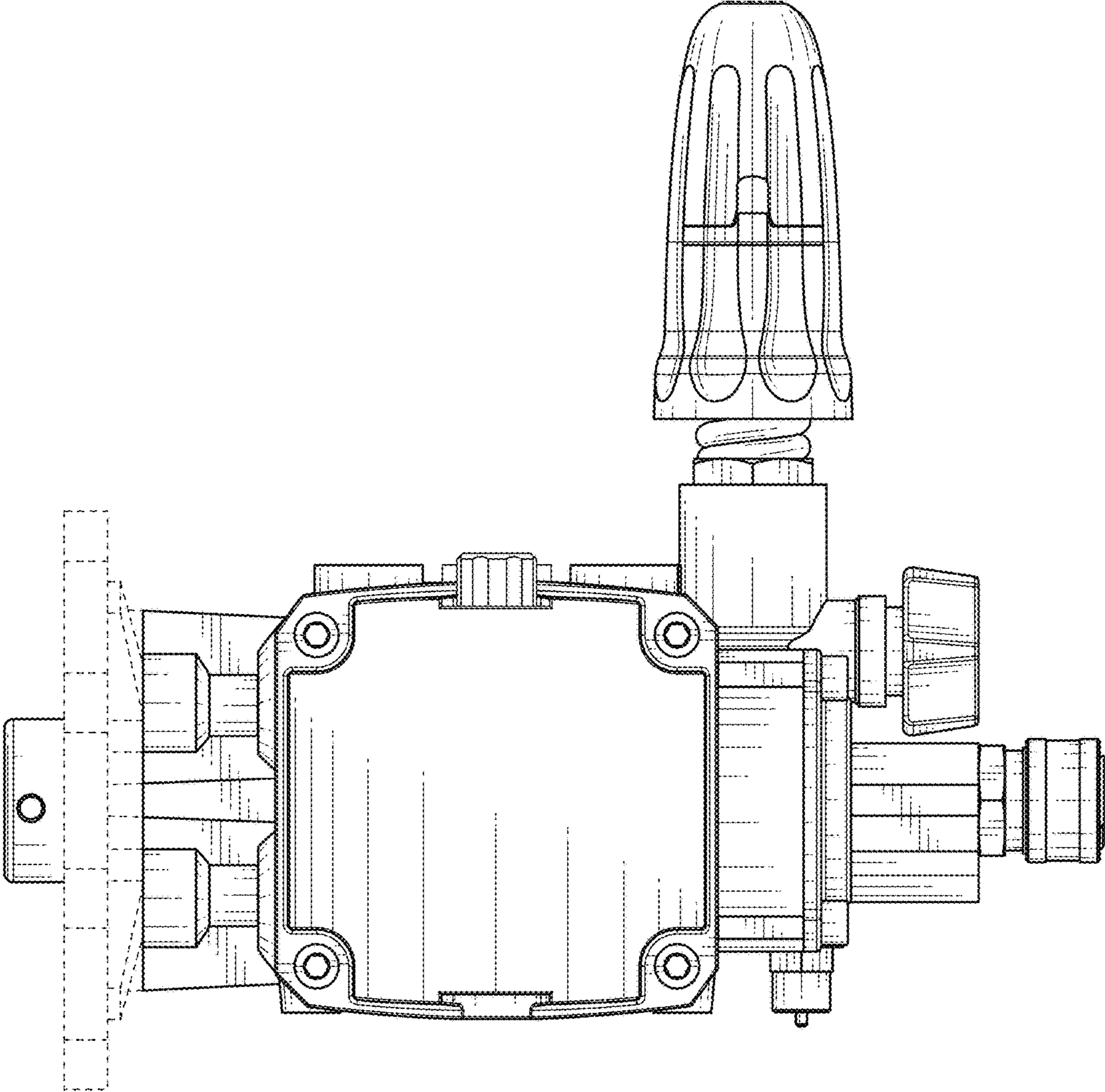


FIG. 5

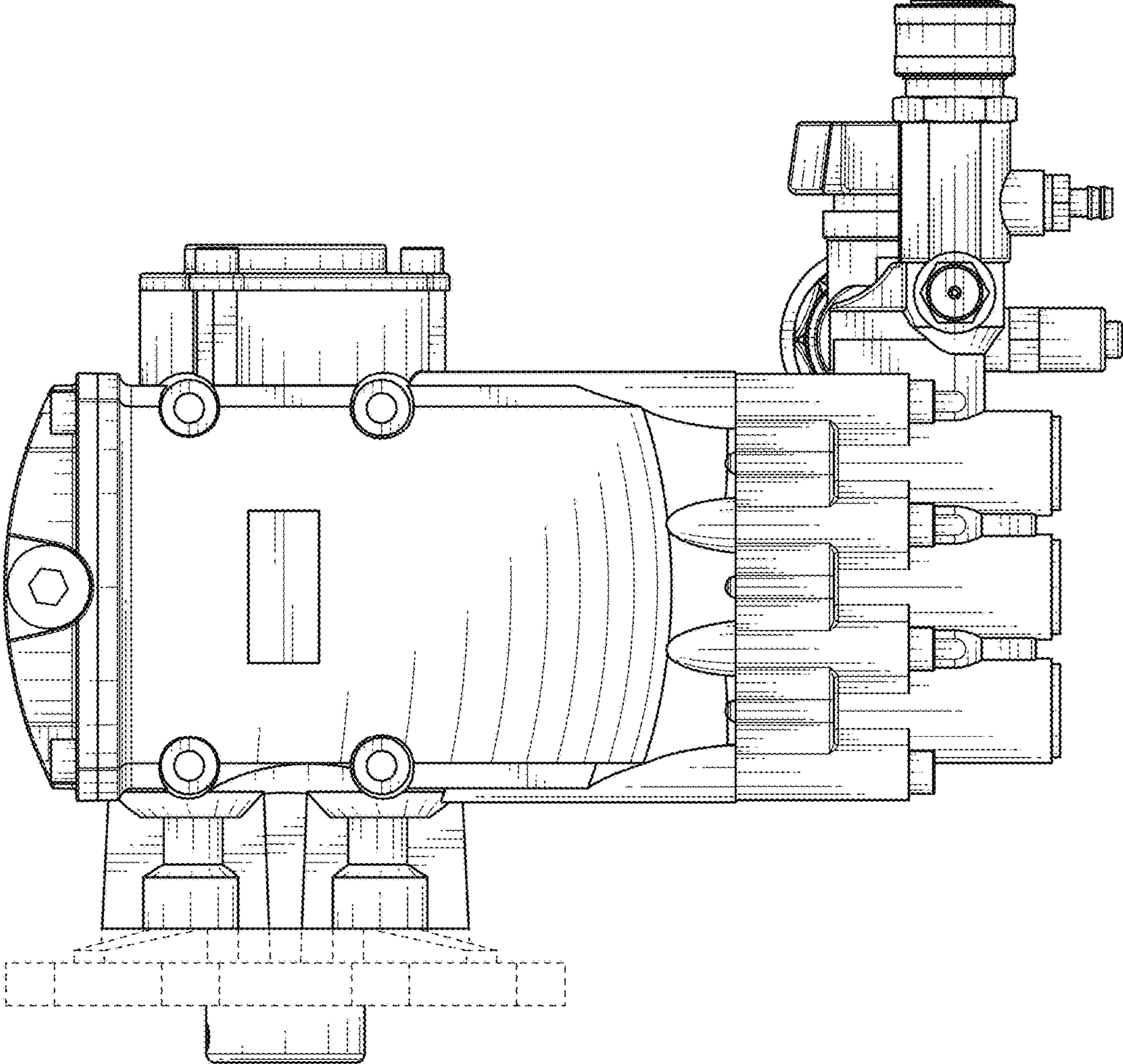


FIG. 6

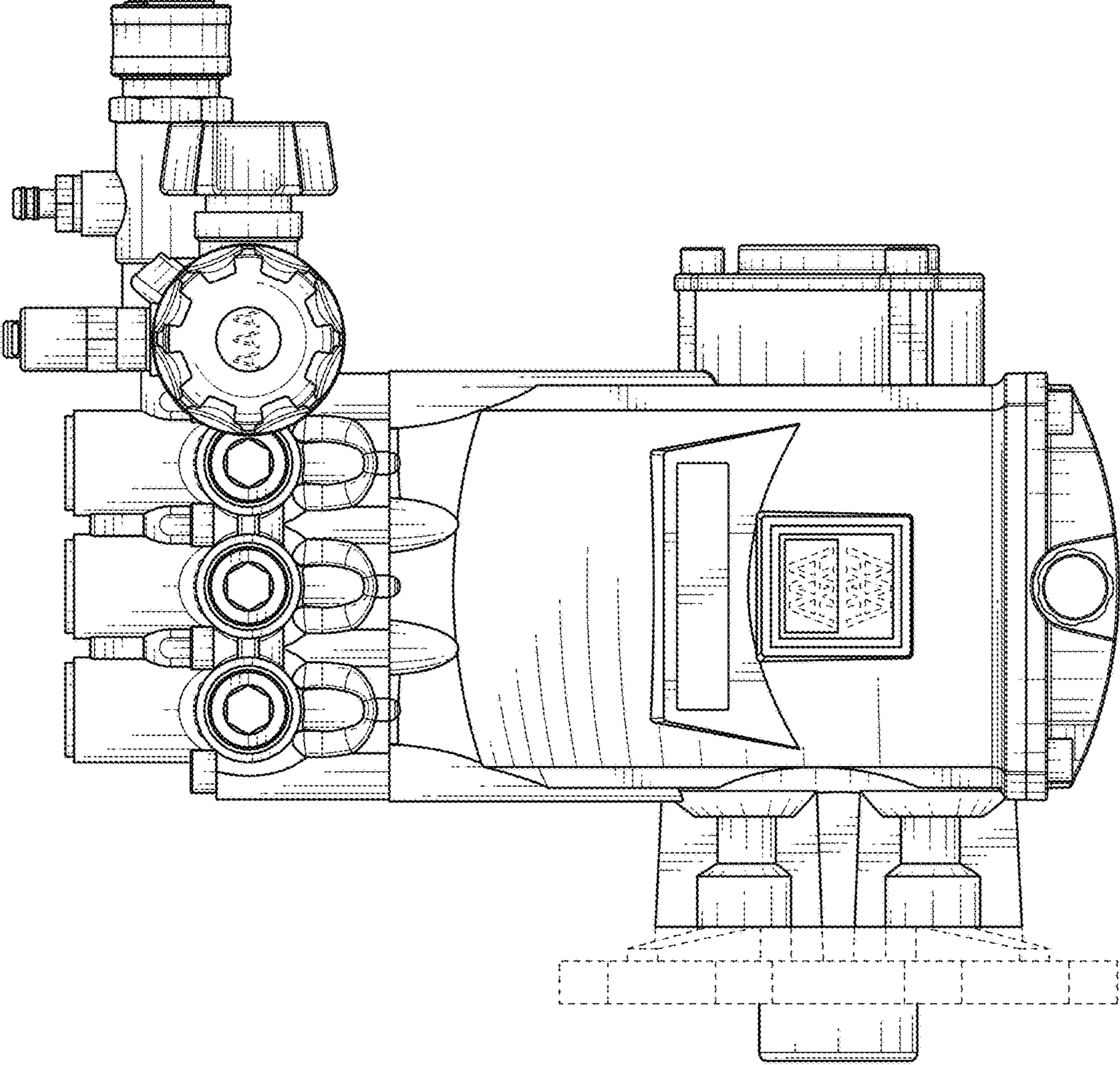


FIG. 7

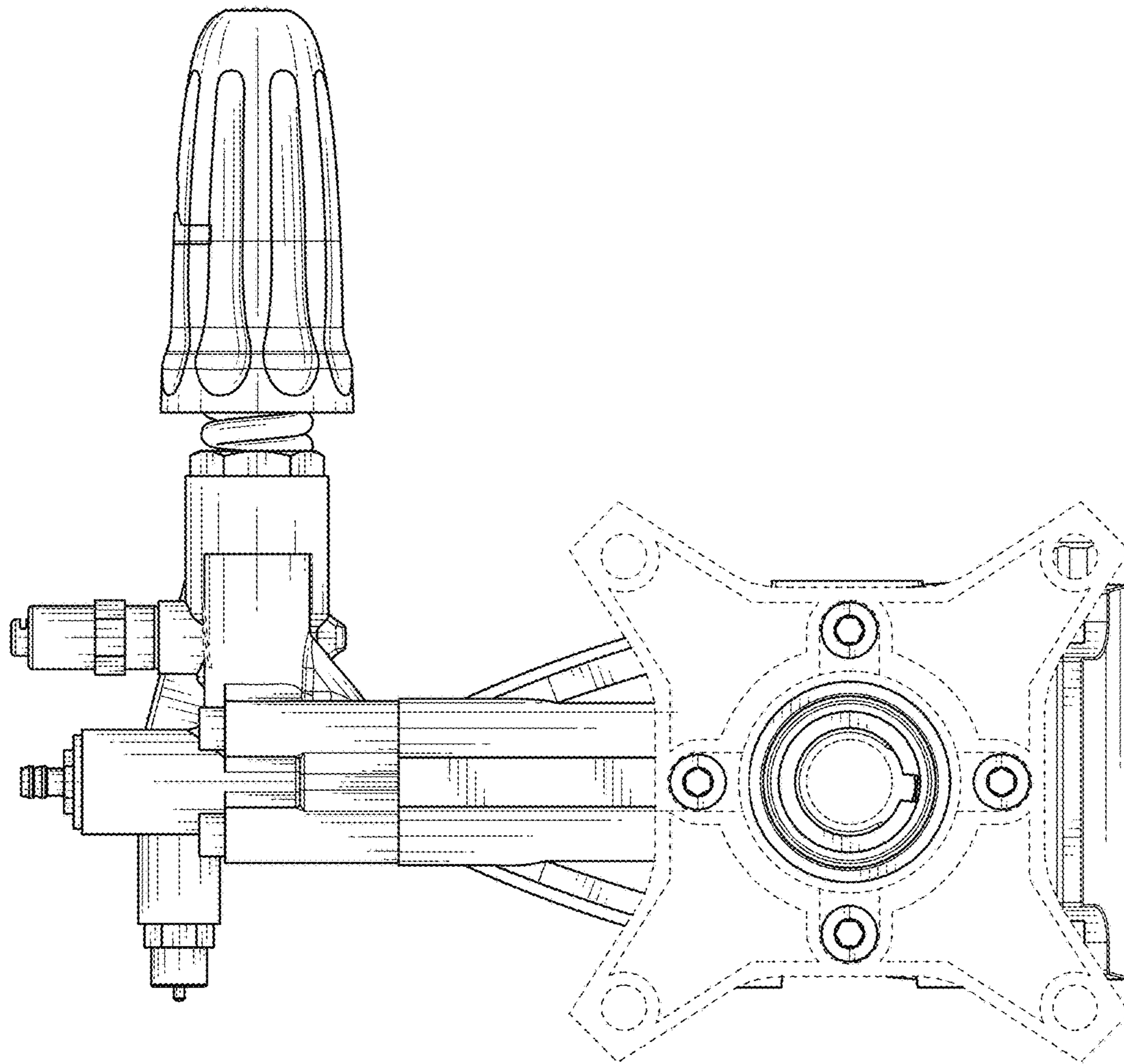


FIG. 8

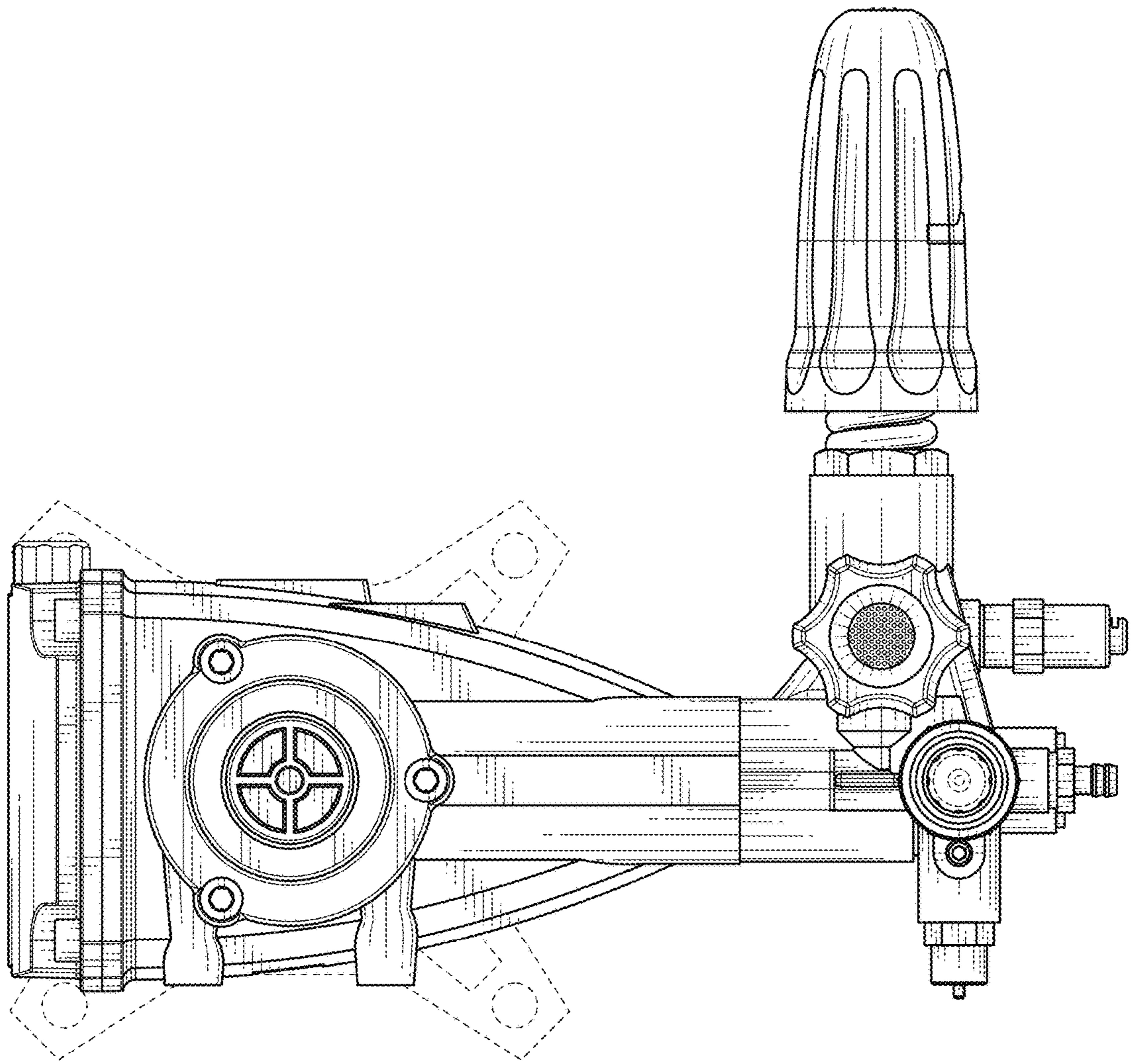


FIG. 9

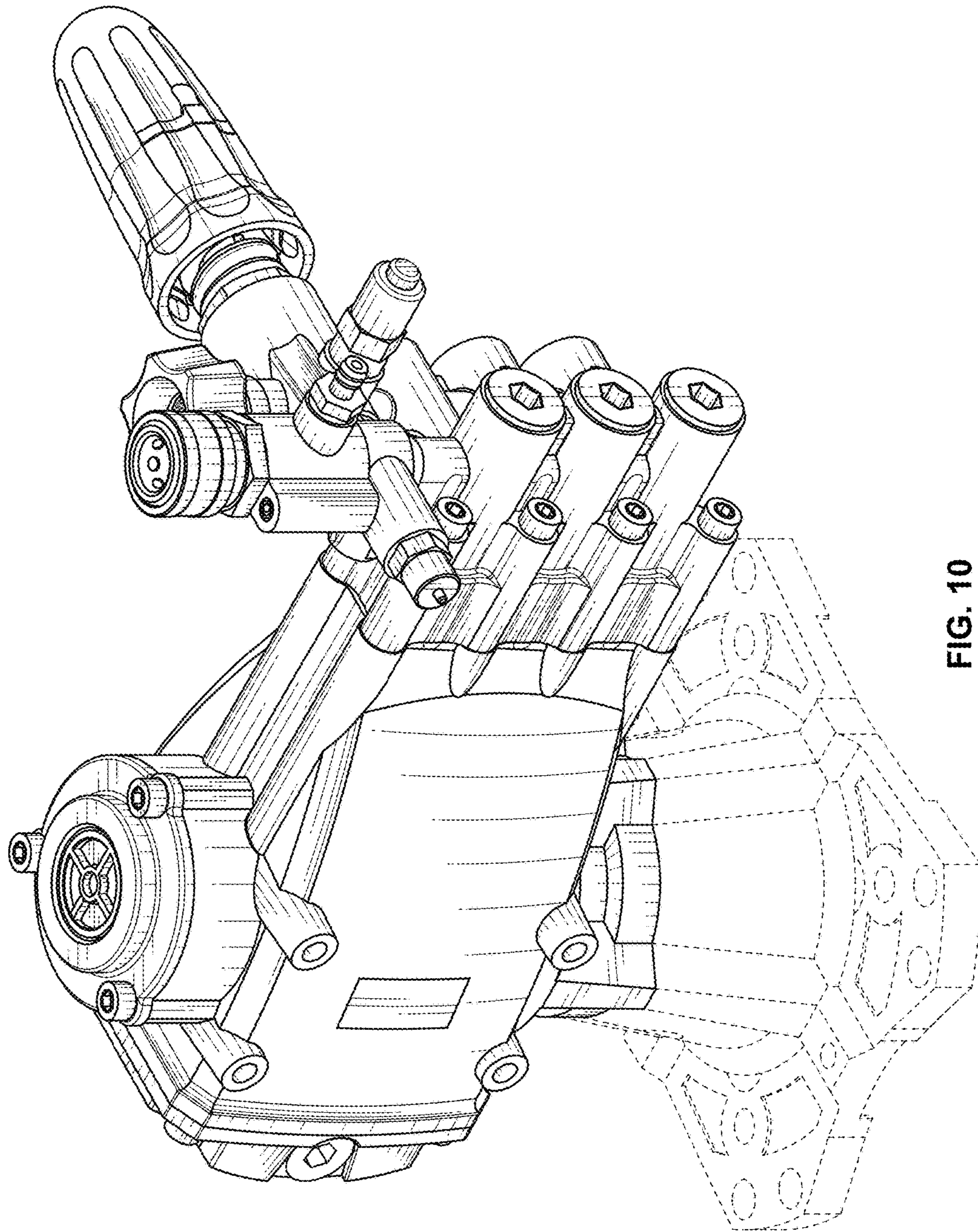


FIG. 10

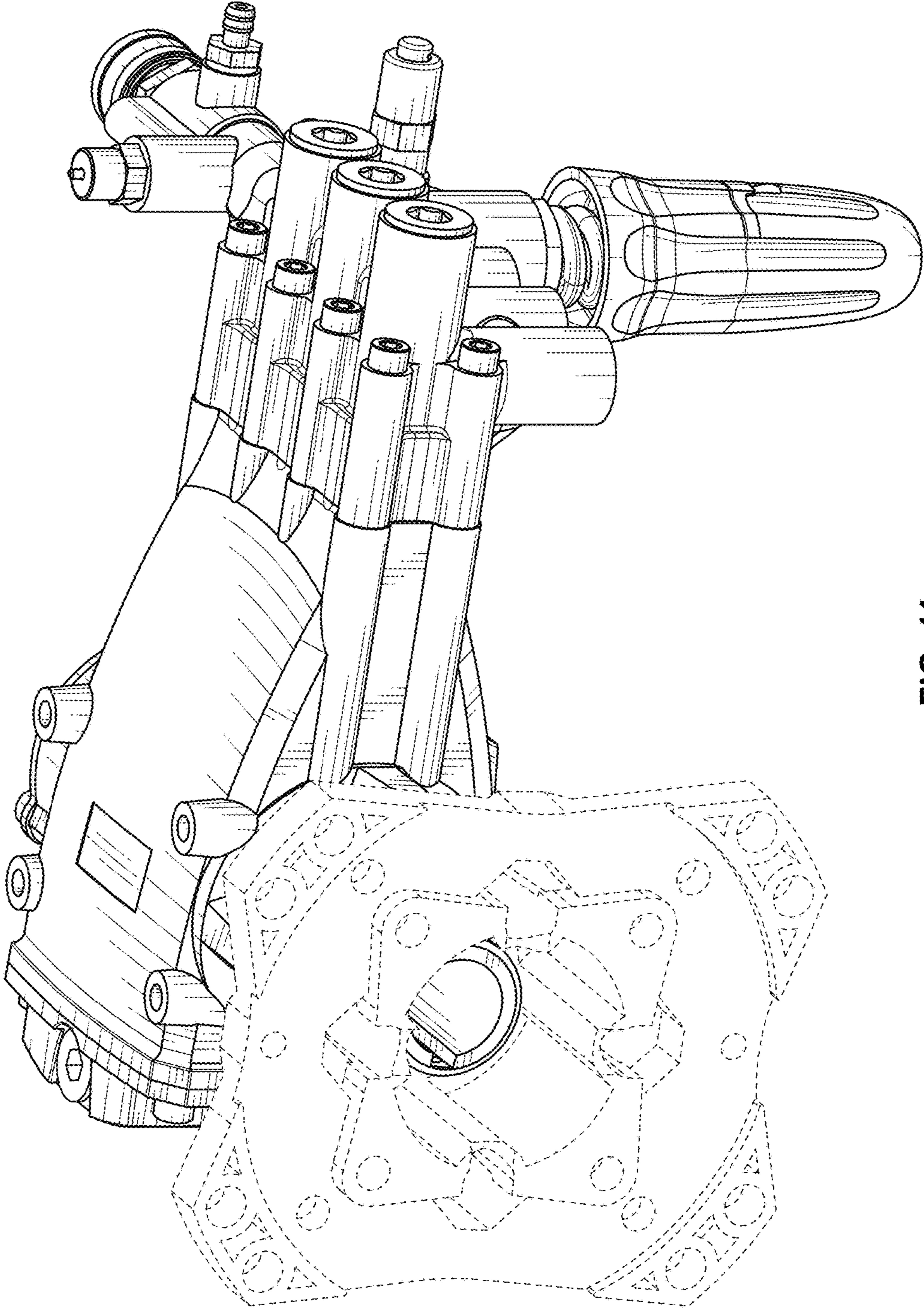


FIG. 11

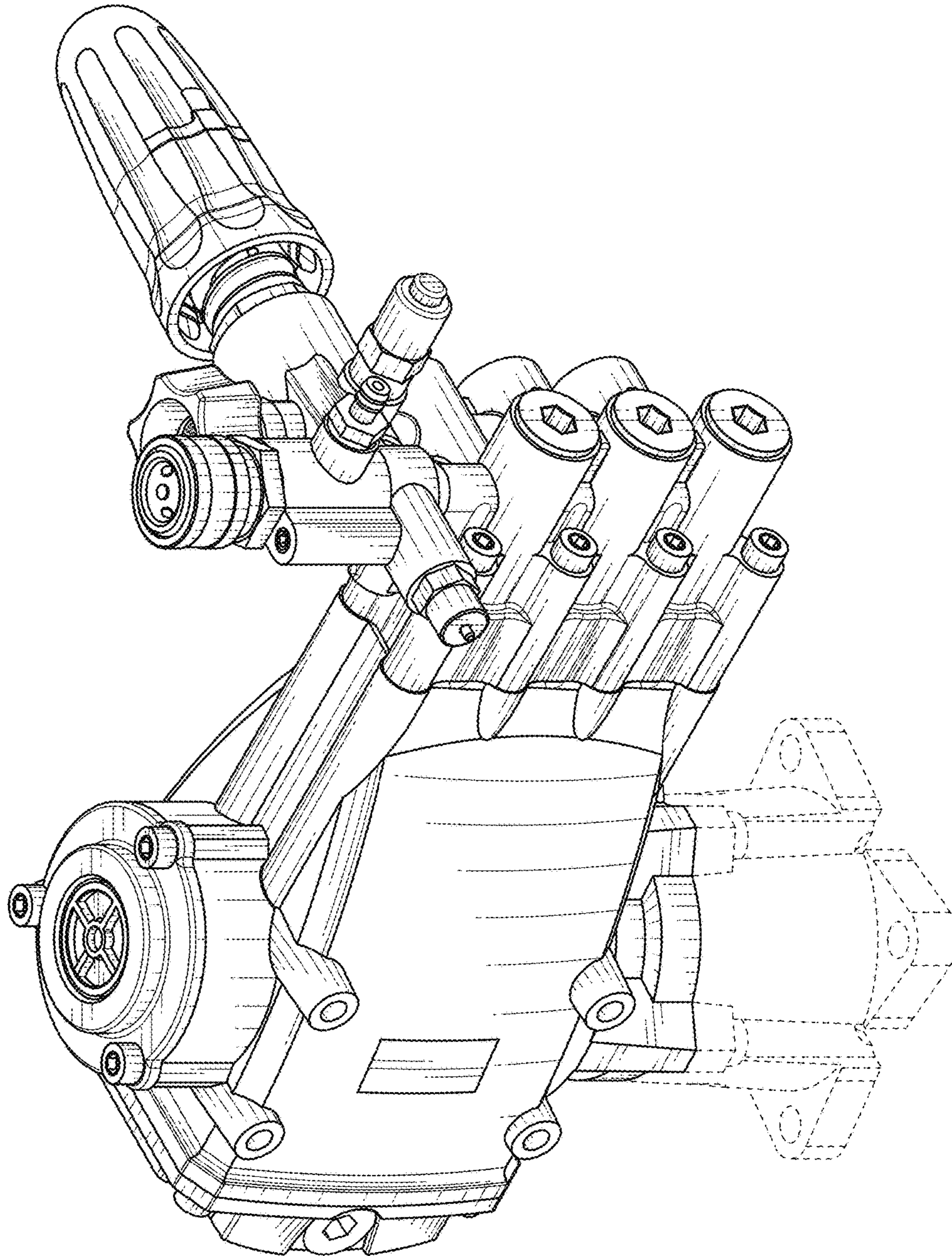


FIG. 12

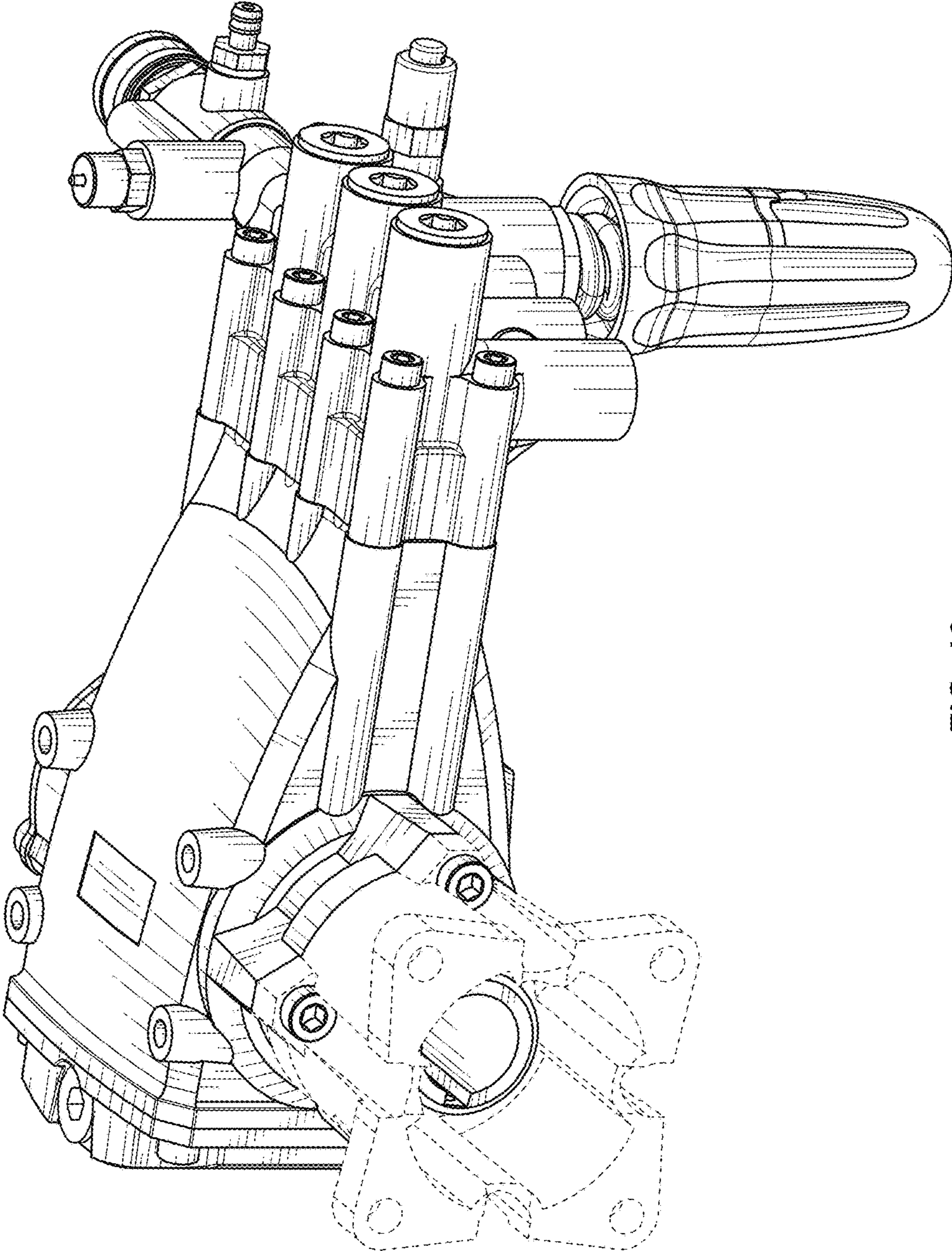


FIG. 13