



US00D823896S

(12) **United States Design Patent**
Yamamoto et al.

(10) **Patent No.:** **US D823,896 S**
(45) **Date of Patent:** **** Jul. 24, 2018**

(54) **MULTIPURPOSE ENGINE**

(71) Applicants: **Masanobu Yamamoto**, Shizuoka-ken
(JP); **Kiyoshi Hashimoto**, Shizuoka-ken
(JP)

(72) Inventors: **Masanobu Yamamoto**, Shizuoka-ken
(JP); **Kiyoshi Hashimoto**, Shizuoka-ken
(JP)

(73) Assignee: **YAMAHA MOTOR POWER
PRODUCTS KABUSHIKI KAISHA**
(JP)

(**) Term: **15 Years**

(21) Appl. No.: **29/589,188**

(22) Filed: **Dec. 29, 2016**

(30) **Foreign Application Priority Data**

Jun. 29, 2016 (JP) 2016-013703

(51) **LOC (11) Cl.** **15-01**

(52) **U.S. Cl.**
USPC **D15/1**

(58) **Field of Classification Search**

USPC D15/1, 2, 3, 4, 5
CPC ... F01P 5/02; F01P 1/02; F02B 75/007; F02B
77/02; F02B 2700/03; F02B 75/16; F02B
63/00; F02B 63/02; F02F 1/34
See application file for complete search history.

(56) **References Cited**

U.S. PATENT DOCUMENTS

D634,333 S * 3/2011 Johnson D15/1
D689,522 S * 9/2013 Johnson D15/1
D695,317 S * 12/2013 Yano D15/1

D709,523 S * 7/2014 Nonaka D15/1
D751,118 S * 3/2016 Suzuki D15/1
2006/0266338 A1 * 11/2006 Kashima B60K 15/03504
123/519
2009/0199793 A1 * 8/2009 Sato F01P 1/02
123/41.62
2009/0230695 A1 * 9/2009 Yoshida F02B 63/04
290/1 A
2009/0302610 A1 * 12/2009 Kanai F02B 63/04
290/47
2012/0160194 A1 * 6/2012 Yano F02F 1/34
123/41.65
2012/0210704 A1 * 8/2012 Kawase F01N 1/089
60/320
2014/0338634 A1 * 11/2014 Mitchell F02D 17/04
123/332

* cited by examiner

Primary Examiner — T. Chase Nelson

Assistant Examiner — Ania Aman

(74) *Attorney, Agent, or Firm* — Ostrolenk Faber LLP

(57) **CLAIM**

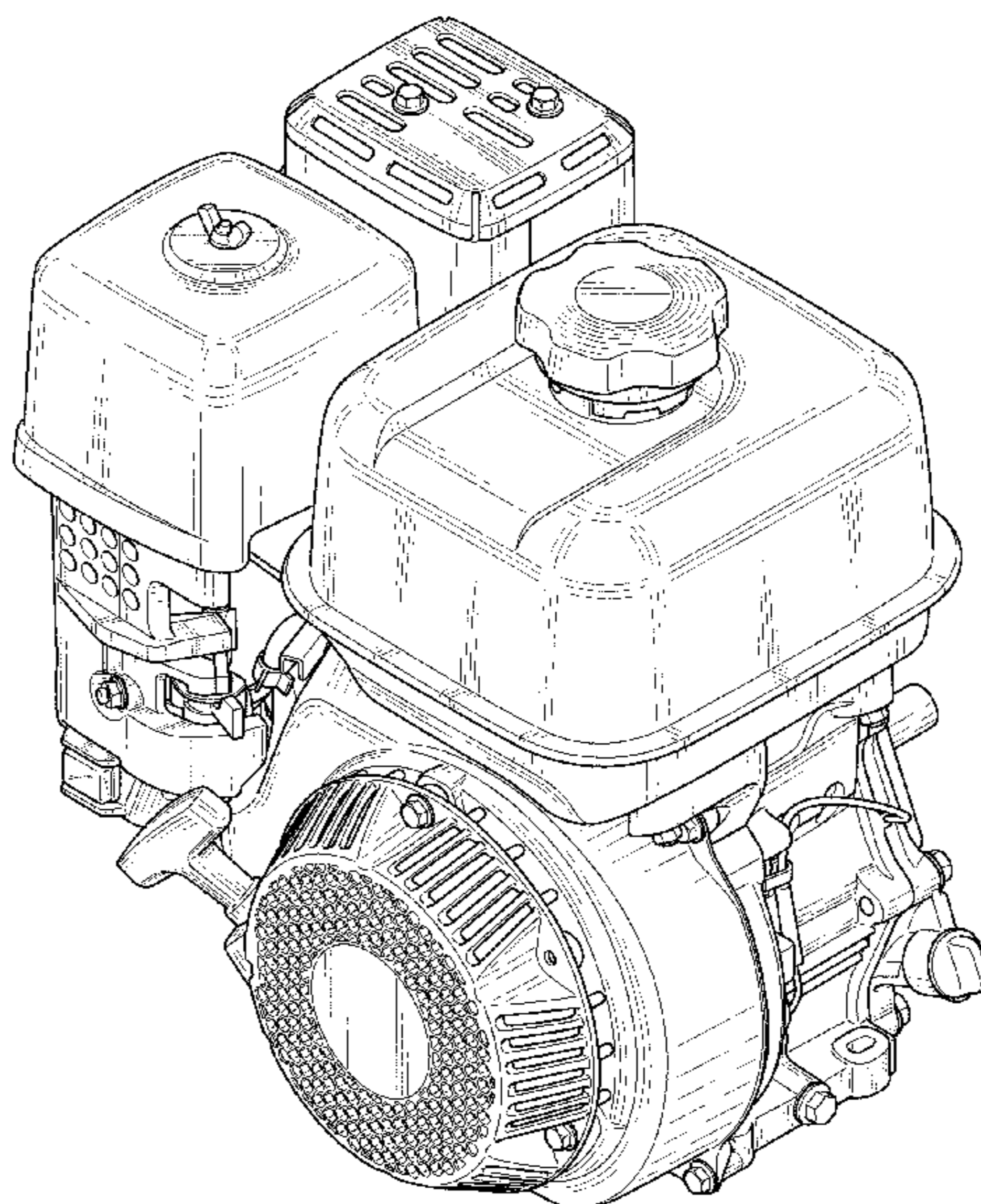
The ornamental design for a multipurpose engine, as shown and described.

DESCRIPTION

FIG. 1 is a top, front, perspective view of a multipurpose engine showing my new design;
FIG. 2 is a top rear perspective view thereof;
FIG. 3 is a front view thereof;
FIG. 4 is a rear view thereof;
FIG. 5 is a left side view thereof;
FIG. 6 is a right side view thereof;
FIG. 7 is a top view thereof; and,
FIG. 8 is a bottom view thereof.

The broken lines in the drawings illustrate environmental material that forms no part of the claimed design.

1 Claim, 8 Drawing Sheets



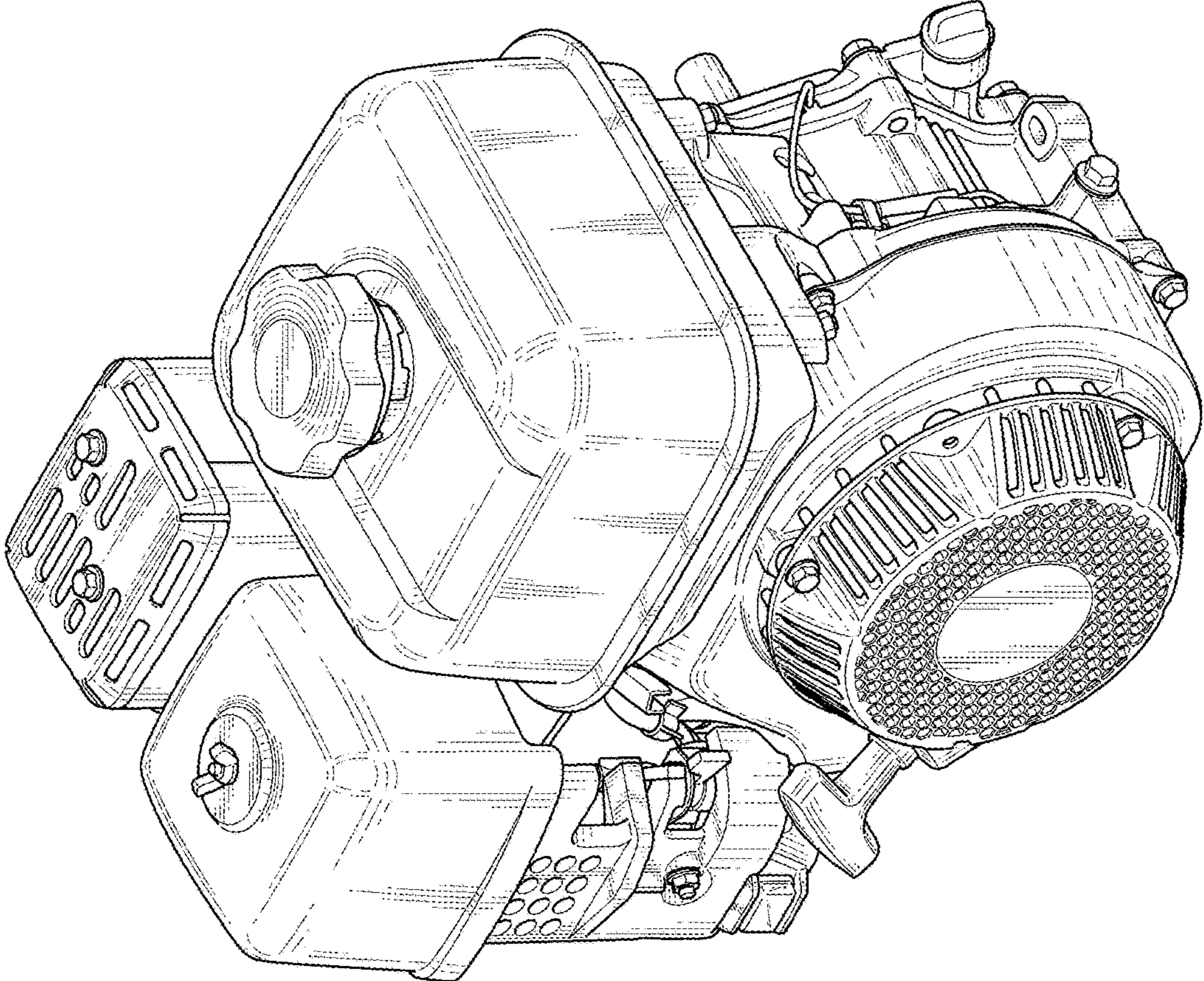


FIG. 1

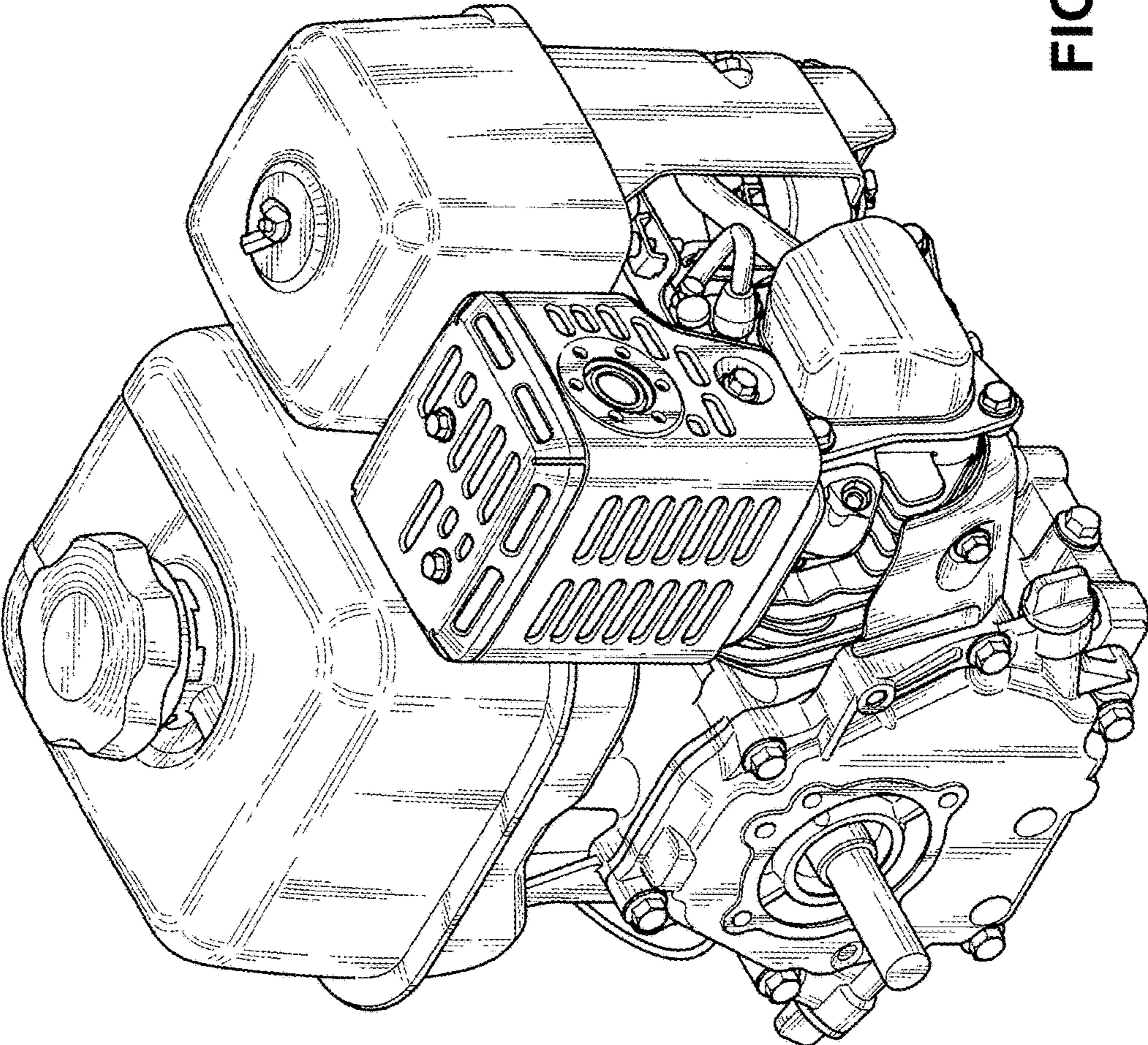


FIG. 2

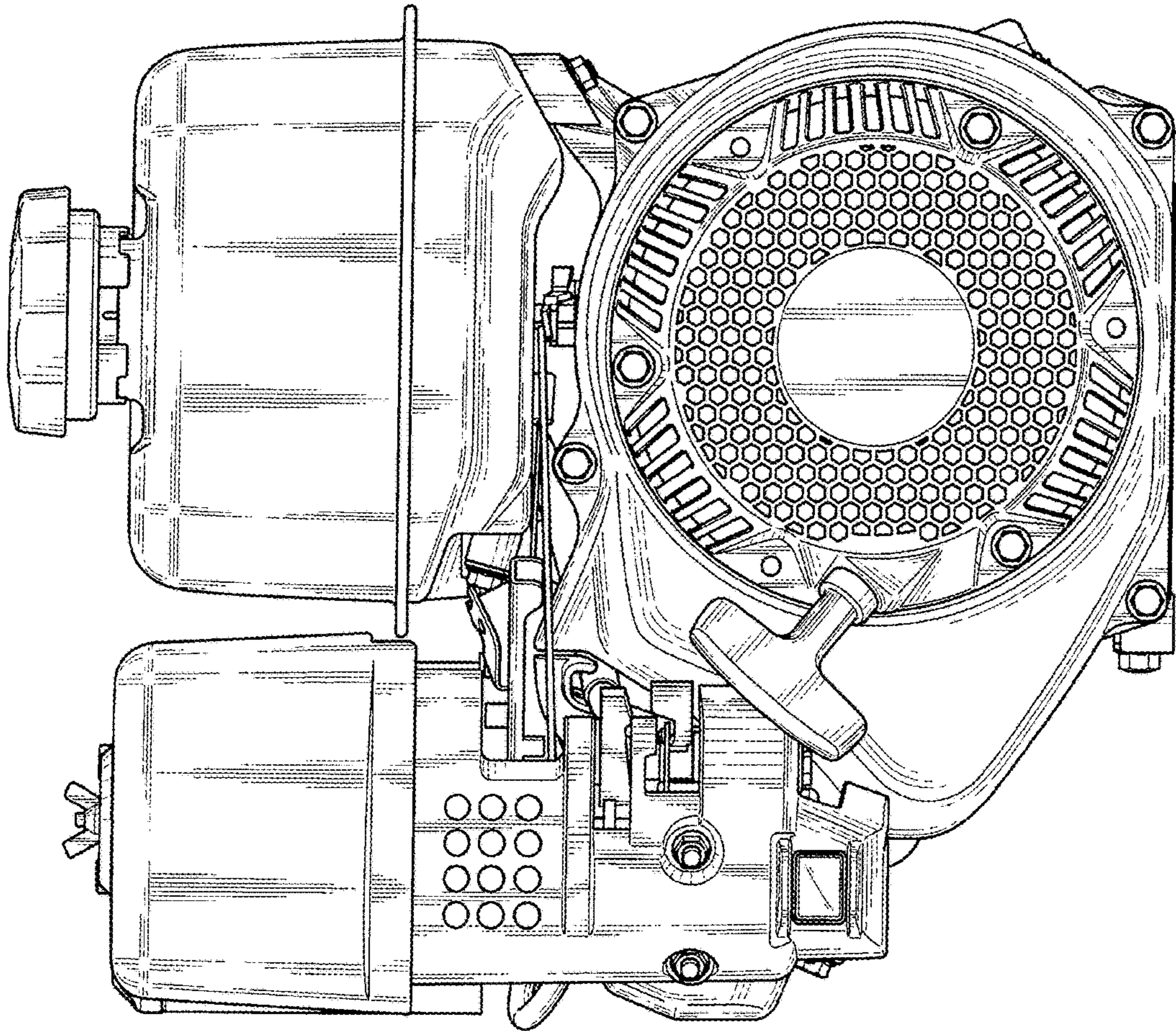


FIG. 3

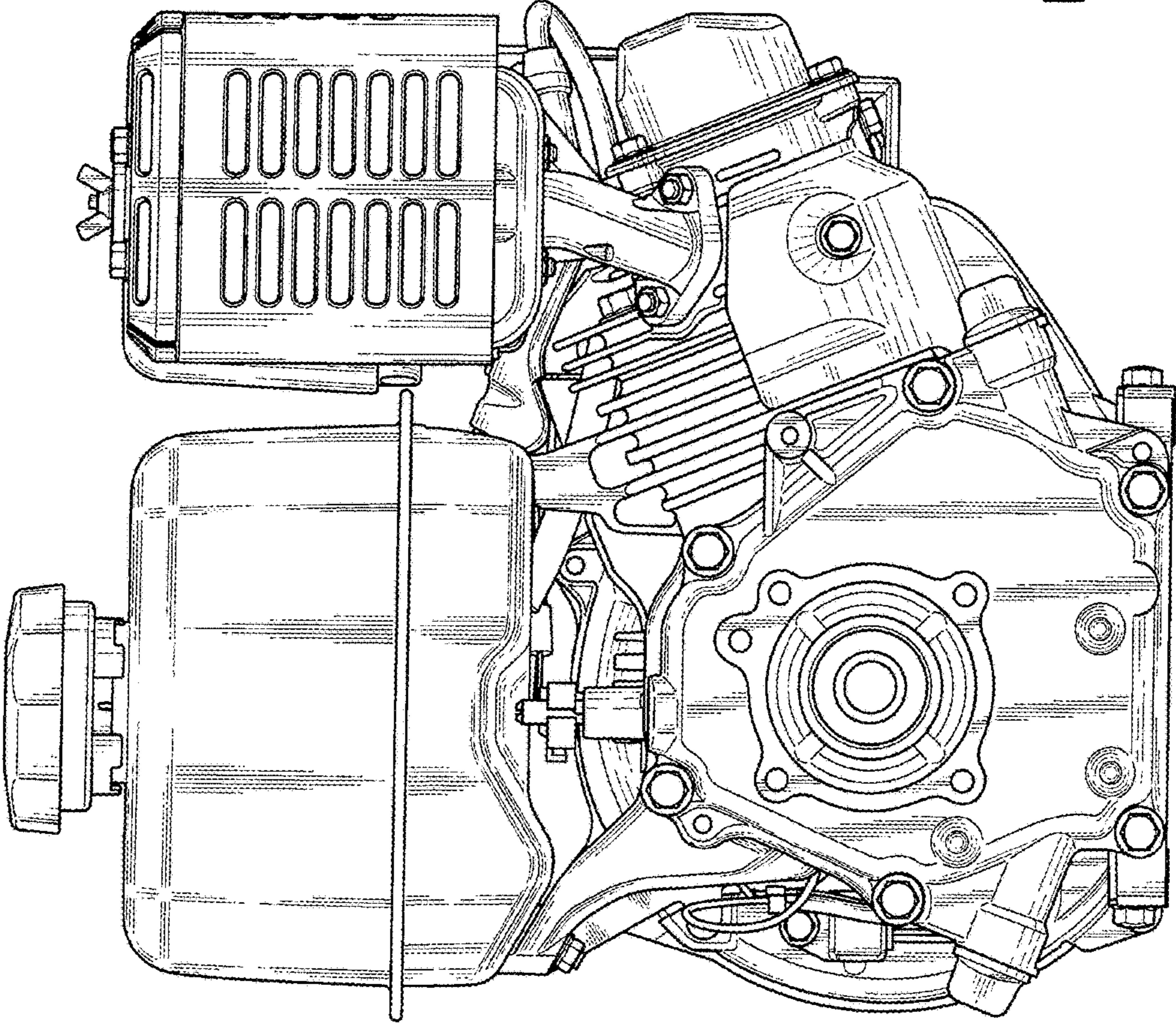


FIG. 4

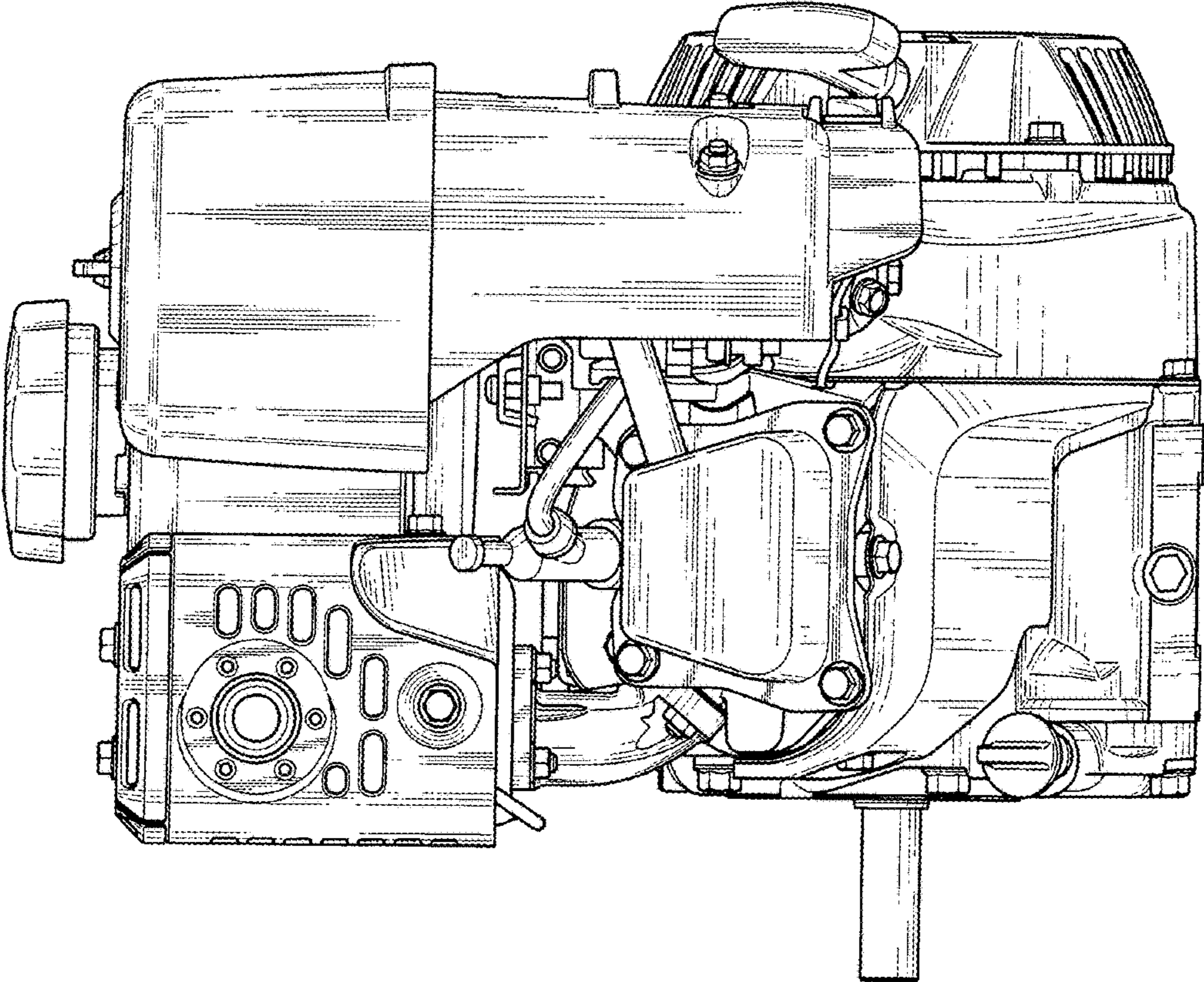


FIG. 5

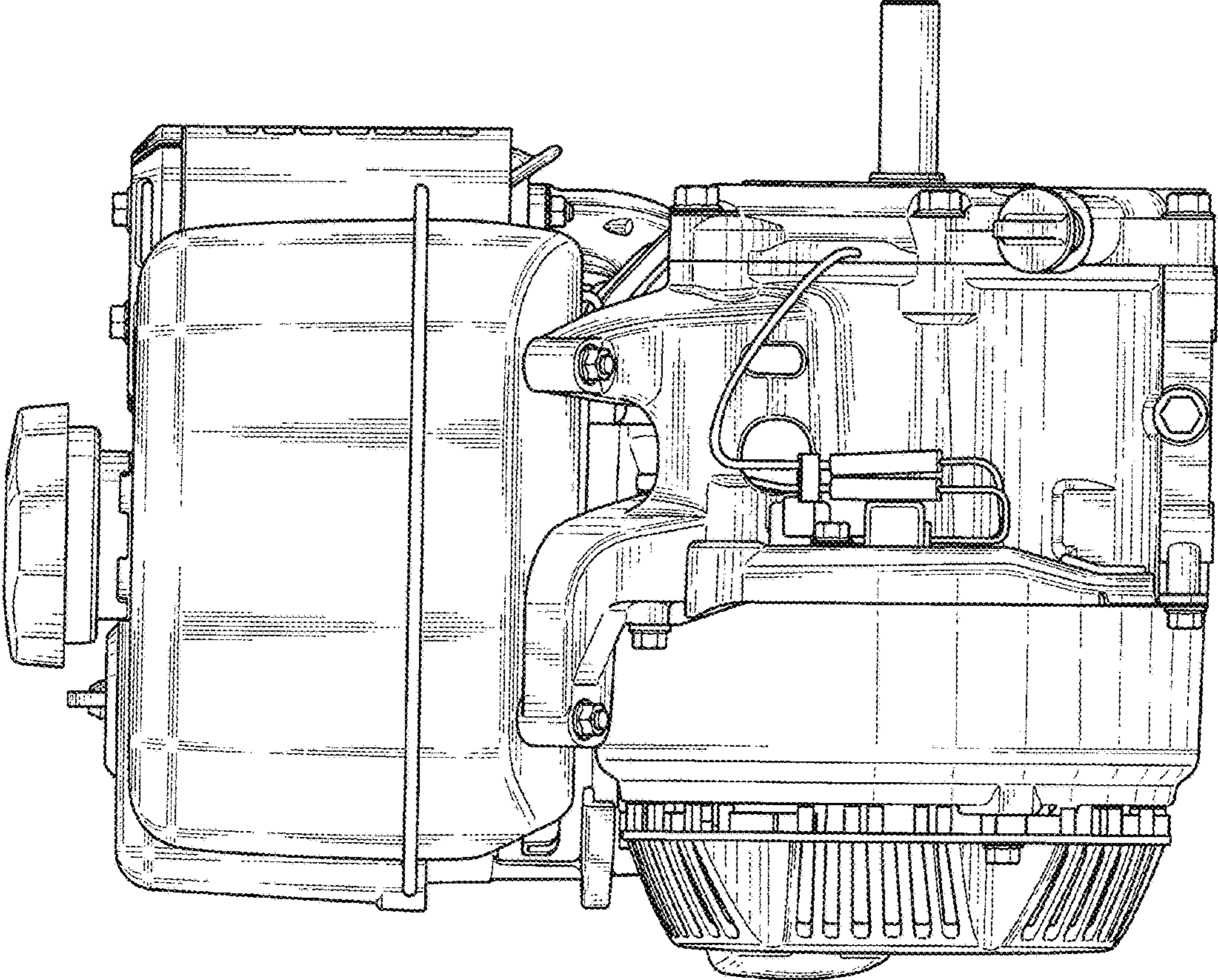


FIG. 6

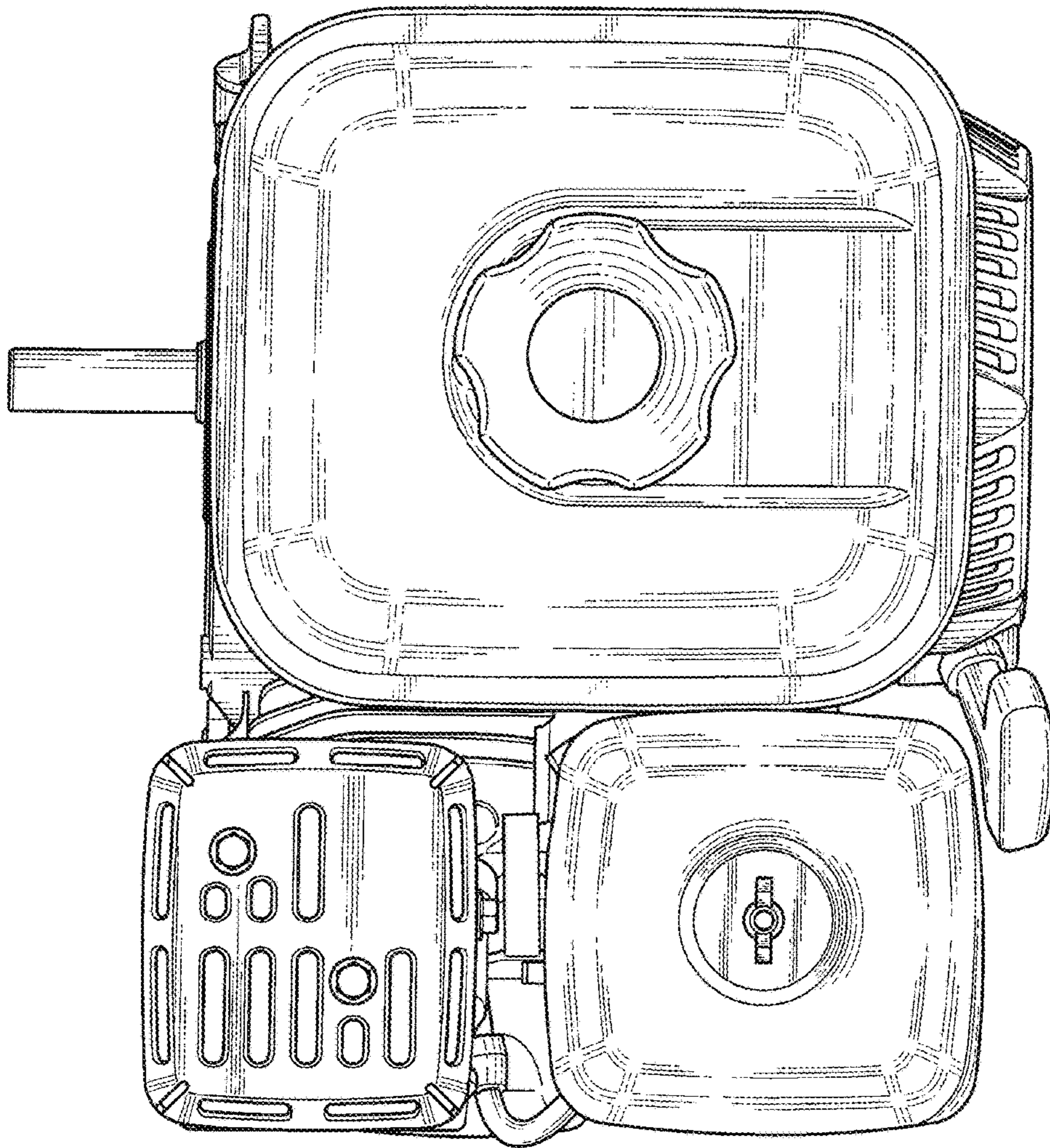


FIG. 7

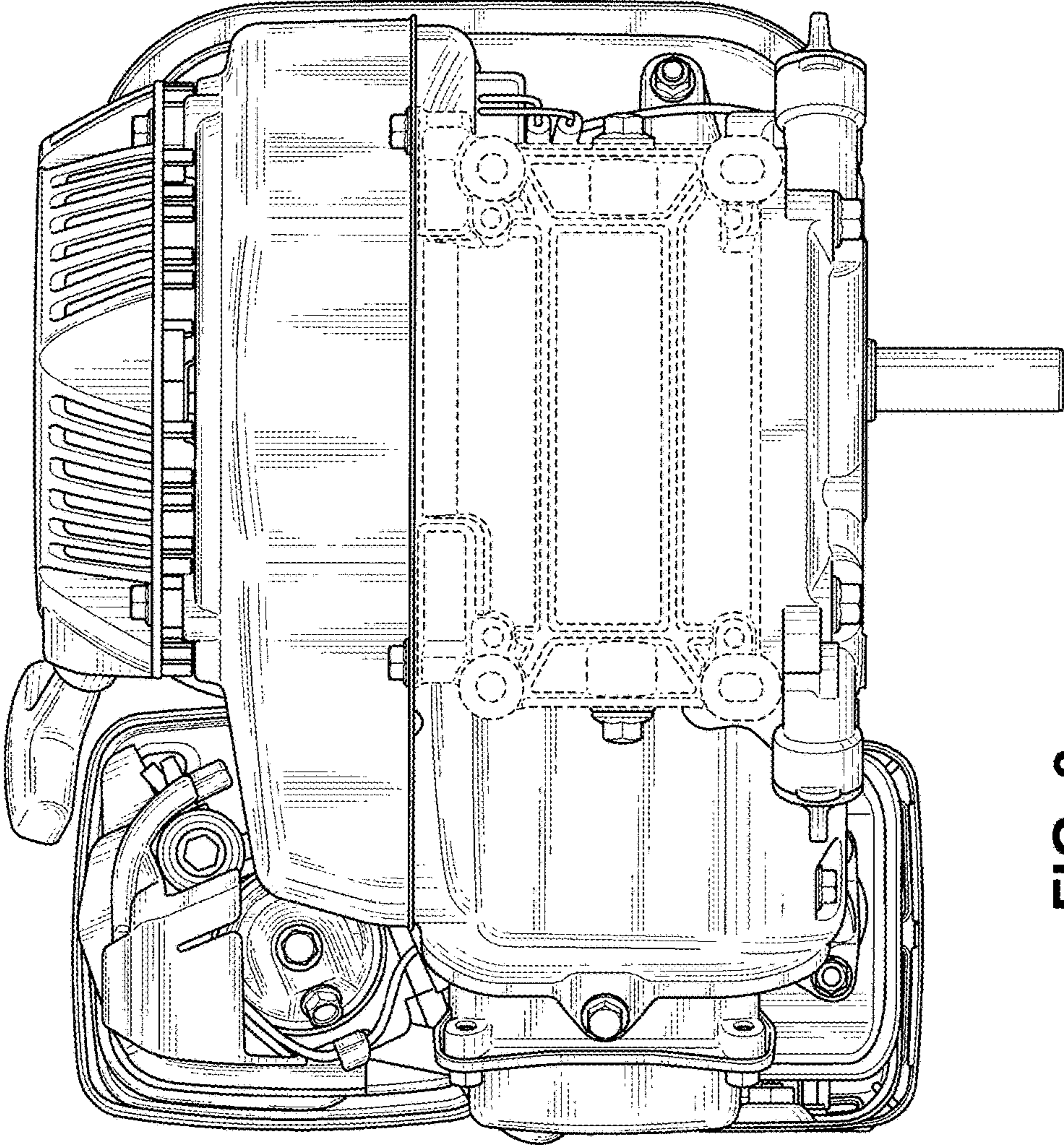


FIG. 8