

US00D823894S

(12) **United States Design Patent**
Ullits

(10) **Patent No.:** **US D823,894 S**
(45) **Date of Patent:** **** Jul. 24, 2018**

(54) PORTABLE AUDIO PLAYER	6,565,444 B2 *	5/2003	Nagata	G06F 1/20 361/695
(71) Applicant: DALI A/S, Norager (DK)	6,908,387 B2 *	6/2005	Hedrick	G07F 17/0014 463/31
(72) Inventor: Mads Engel Ullits, Norager (DK)	7,090,582 B2 *	8/2006	Danieli	A63F 13/12 463/35
(73) Assignee: DALI A/S, Norager (DK)	D556,185 S *	11/2007	Motoishi	D10/2
(**) Term: 15 Years	7,303,282 B2 *	12/2007	Dwyer	H04N 9/3141 348/E5.13
(21) Appl. No.: 29/602,857	D561,741 S *	2/2008	Huang	D14/214
(22) Filed: May 4, 2017	D570,869 S *	6/2008	Yamada	D14/496
	D583,358 S *	12/2008	Joseph	D10/2
	D600,251 S *	9/2009	Poandl	D14/168
	D614,200 S *	4/2010	Skurdal	D14/496

(30) **Foreign Application Priority Data**

Nov. 7, 2016 (EM) 003450659

(51) **LOC (11) Cl.** **14-03**

(52) **U.S. Cl.**
USPC **D14/496; D14/203.6**

(58) **Field of Classification Search**
USPC D14/496, 401, 435, 474, 483, 217, 137,
D14/138, 160, 168, 356, 203.1–203.8,
D14/507; 345/156, 169, 173–179, 905;
715/727–729, 864; 710/1, 5, 8; 713/1,
713/600; 455/1.1, 1.7, 73, 344–347, 93,
455/95, 3.01–3.06, 550.1, 573.1;
370/342–344; 369/1, 2, 6–12;
463/43–47; 273/148 B
CPC .. A63F 13/00; A63F 11/00; A63F 2300/8047;
G06F 17/00
See application file for complete search history.

(56) **References Cited**

U.S. PATENT DOCUMENTS

5,883,859 A *	3/1999	Bentley	G04G 13/021 368/10
5,914,707 A *	6/1999	Kono	G06K 19/08 345/173

* cited by examiner

Primary Examiner — Prabhakar Deshmukh

(74) *Attorney, Agent, or Firm* — Sheridan Ross PC

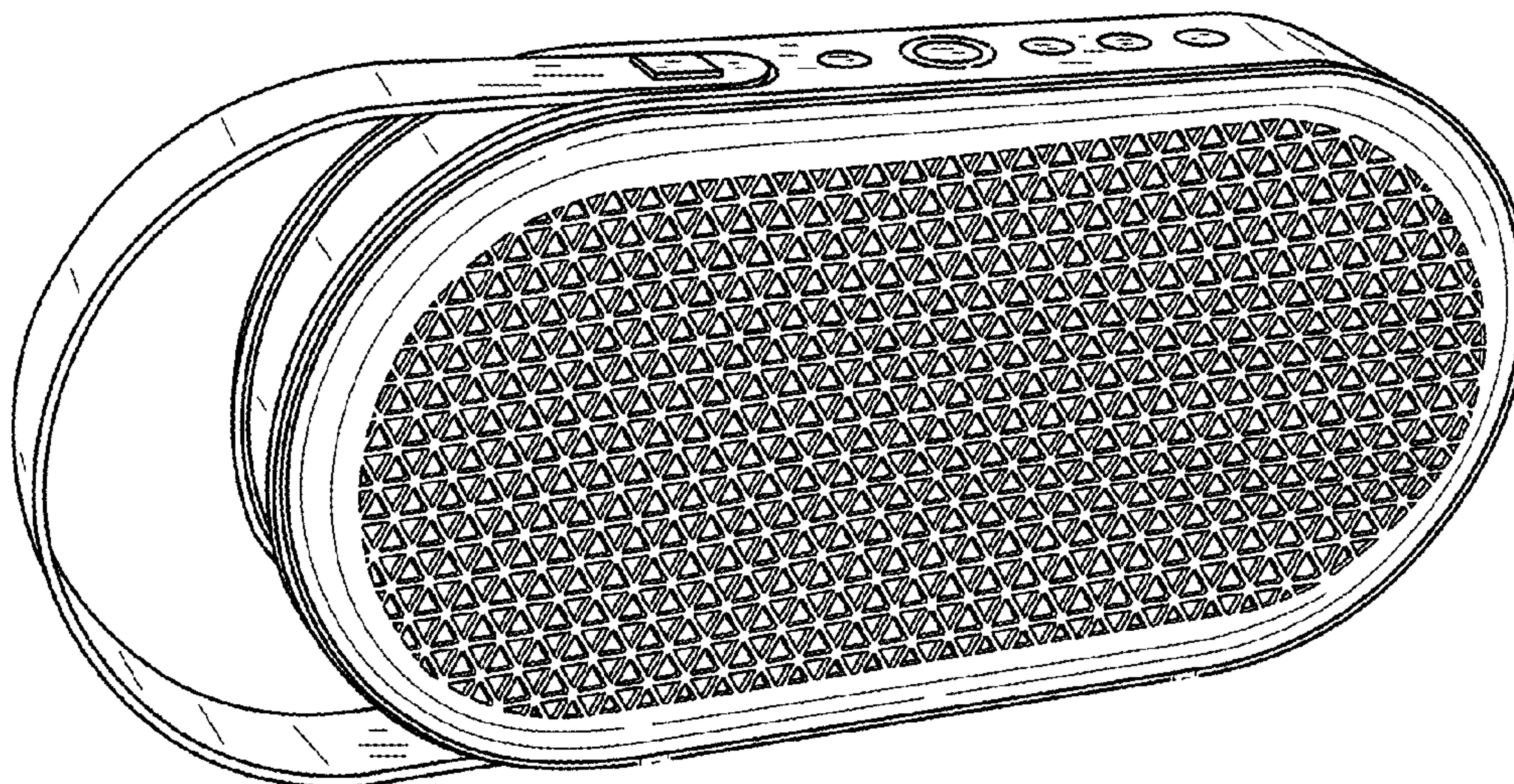
(57) **CLAIM**

The ornamental design for a portable audio player, as shown and described.

DESCRIPTION

FIG. 1 is a front perspective view of the portable audio player showing the new design;
 FIG. 2 is a front elevation view thereof;
 FIG. 3 is a top perspective view thereof;
 FIG. 4 is a top left perspective view thereof;
 FIG. 5 is a left perspective view thereof;
 FIG. 6 is a right perspective view thereof; and,
 FIG. 7 is a bottom perspective view thereof, showing a strap in a second position of use.
 The broken line showing is for the purpose of illustrating environment and forms no part of the claimed design.

1 Claim, 4 Drawing Sheets



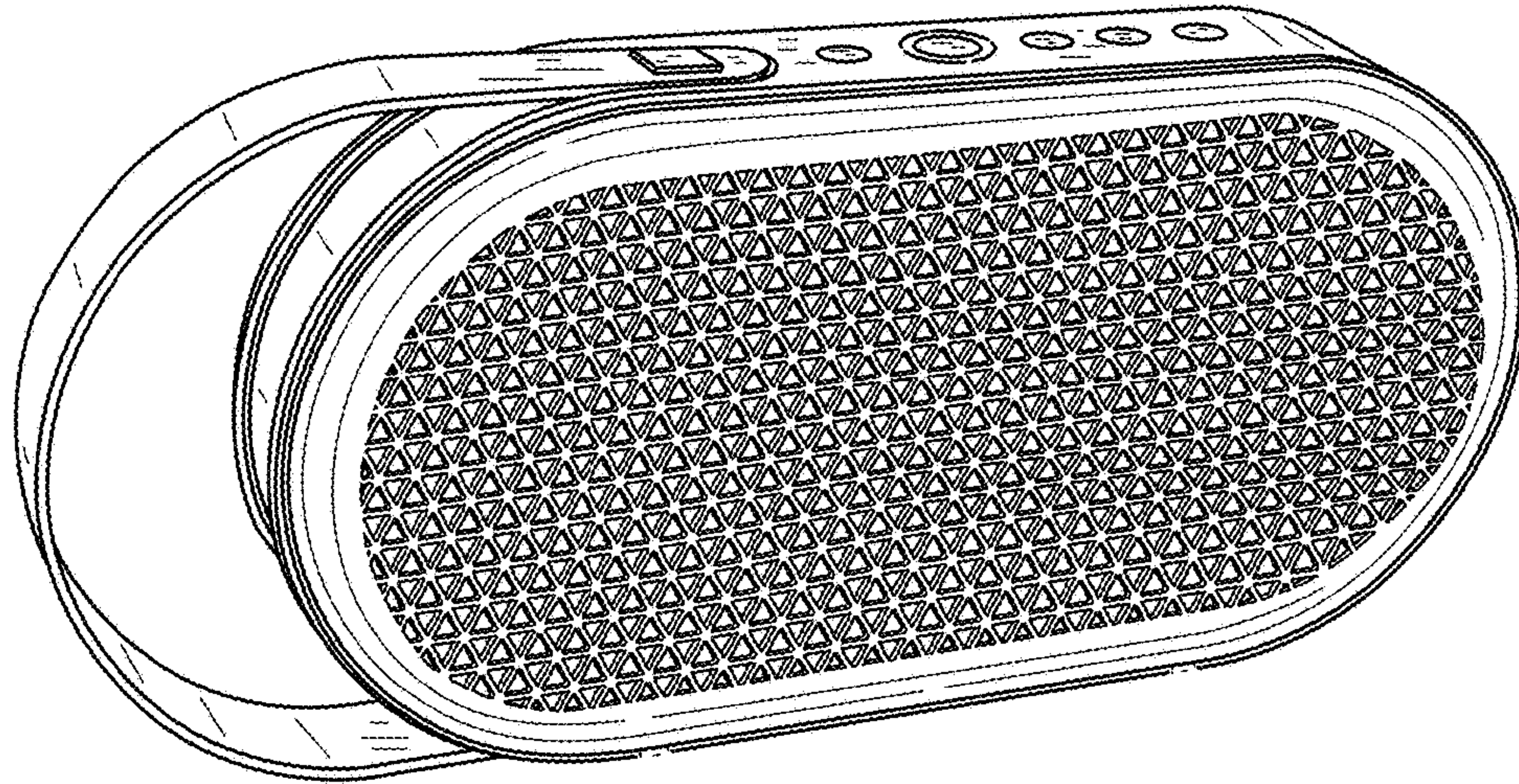


FIG.1

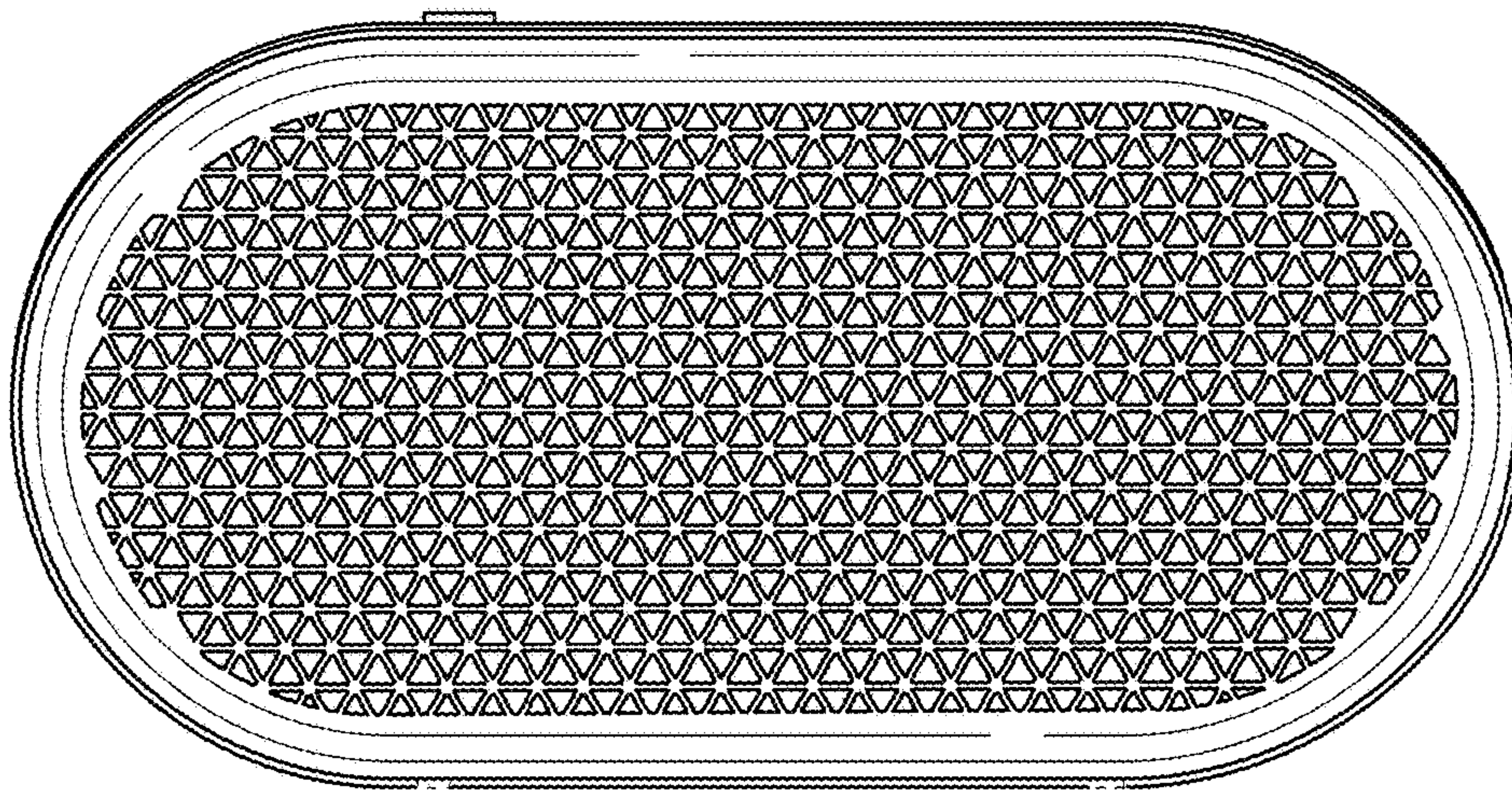


FIG.2

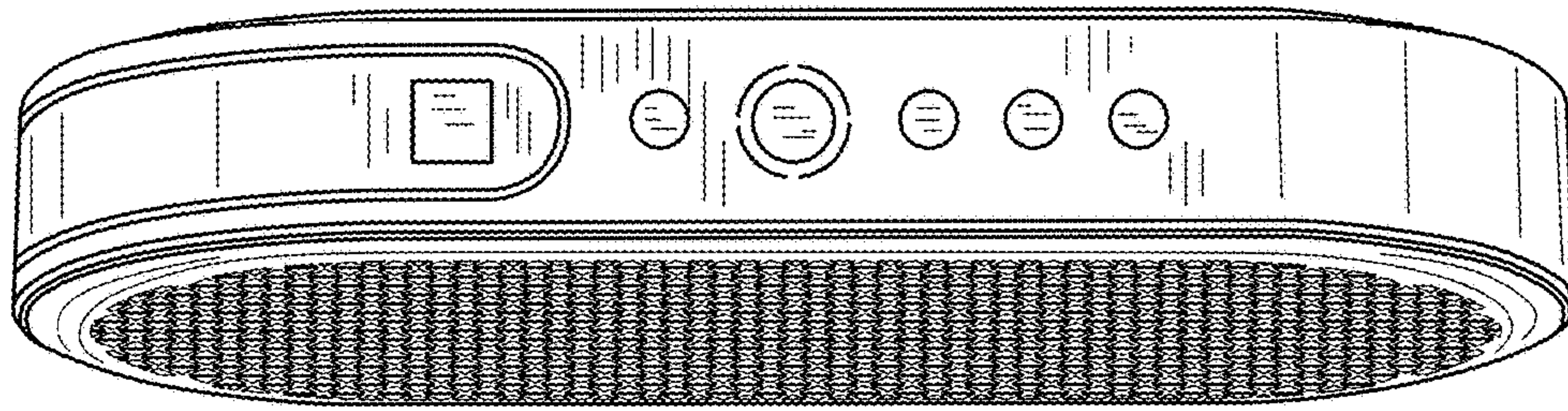


FIG.3

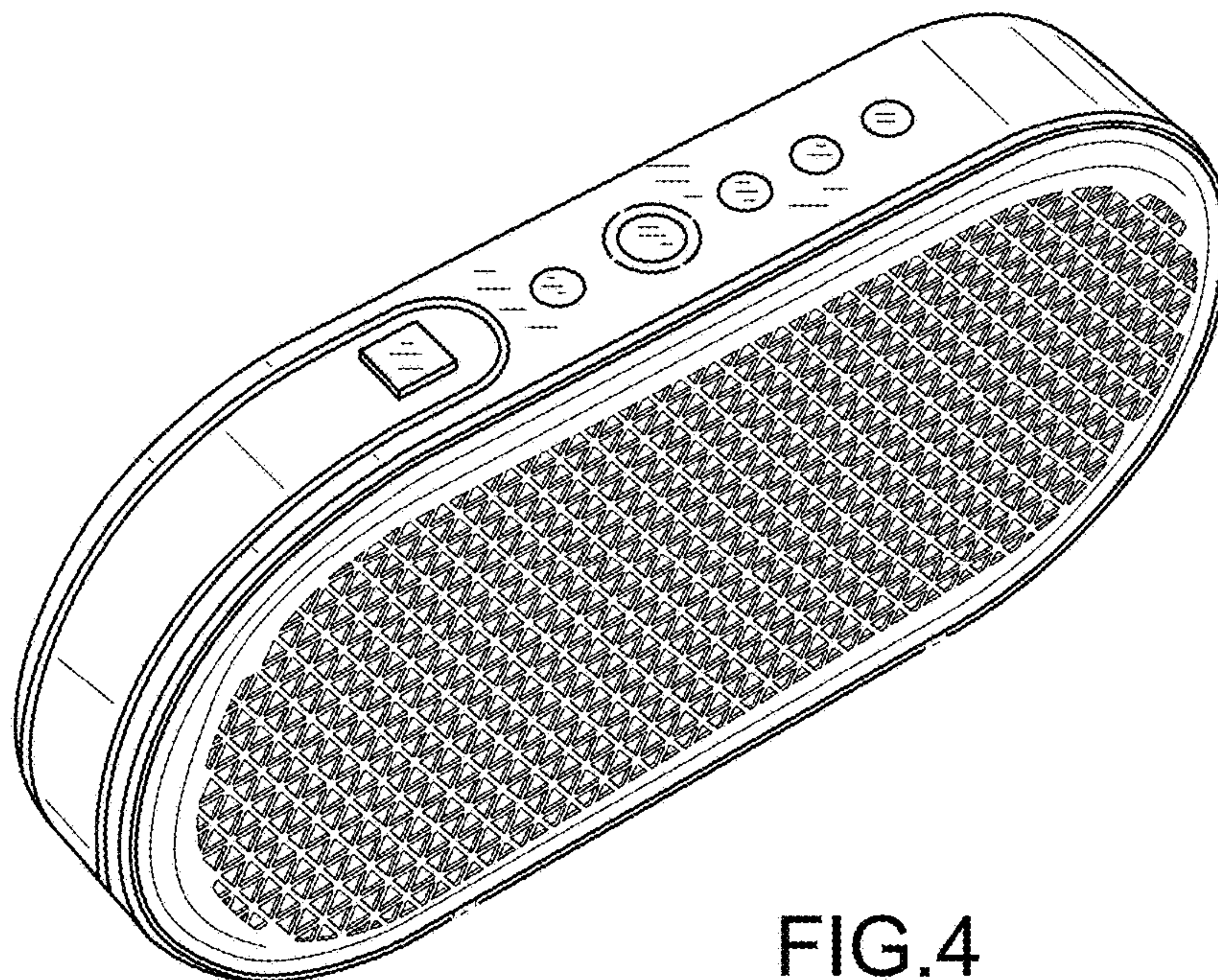


FIG.4

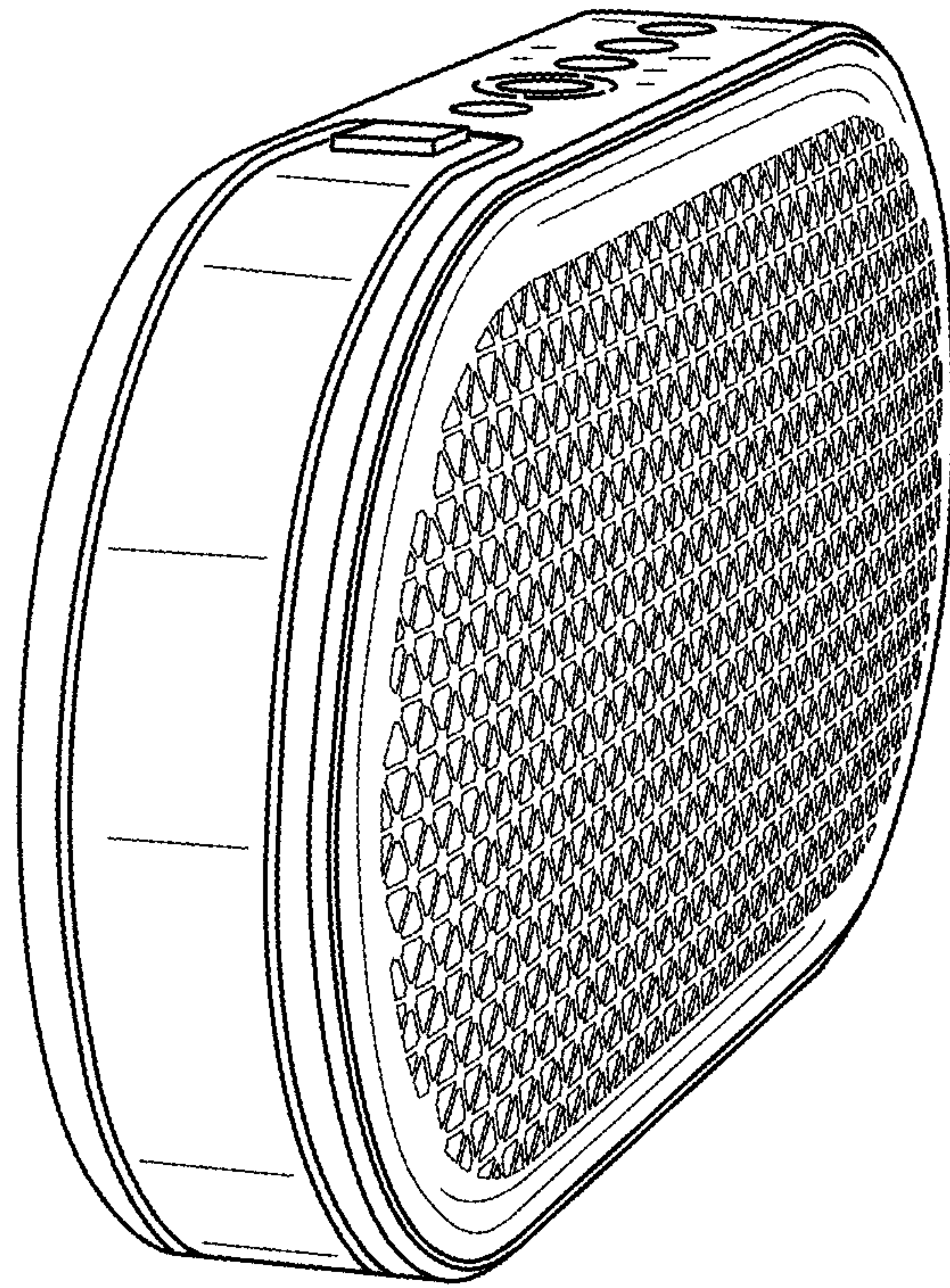


FIG. 5

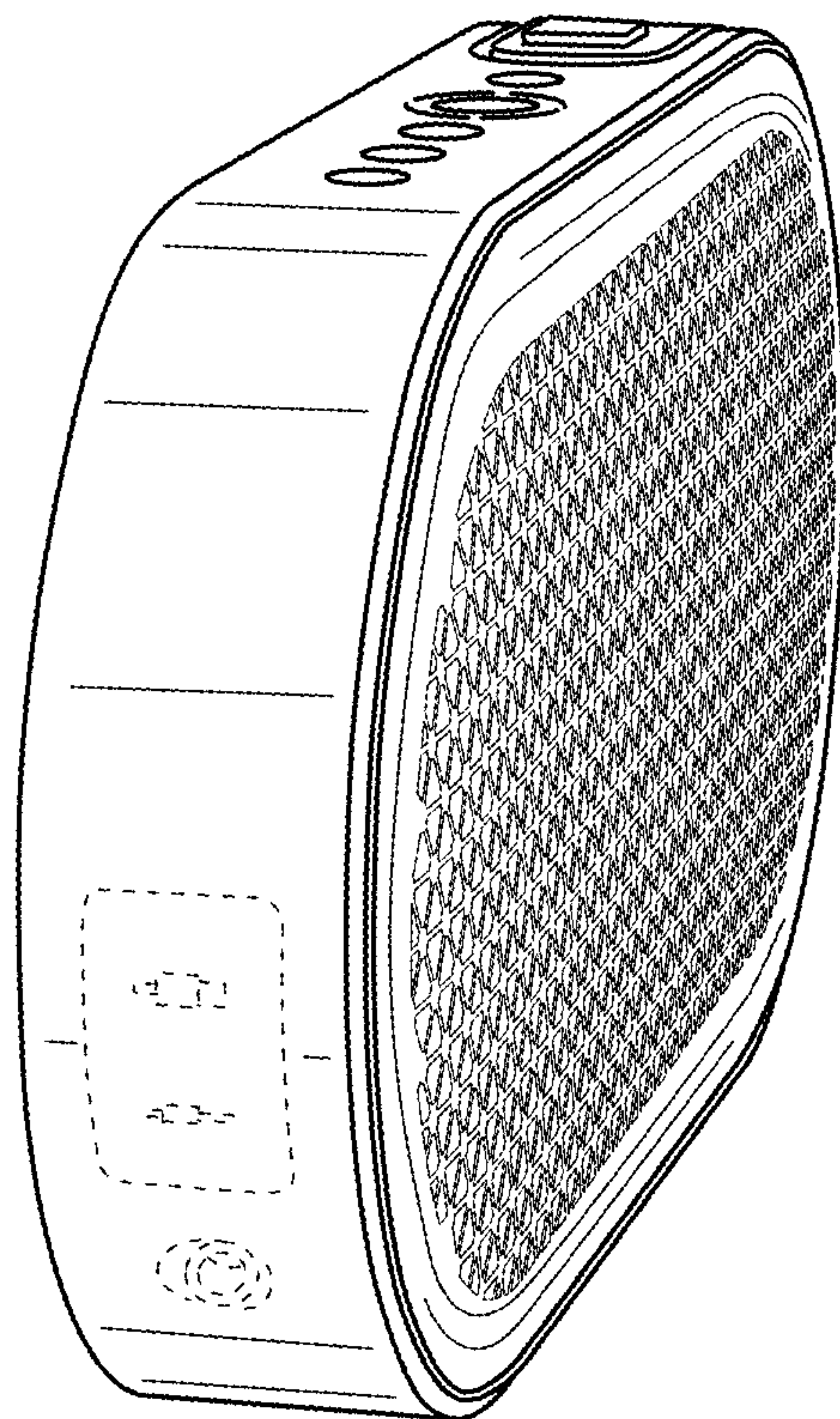


FIG. 6

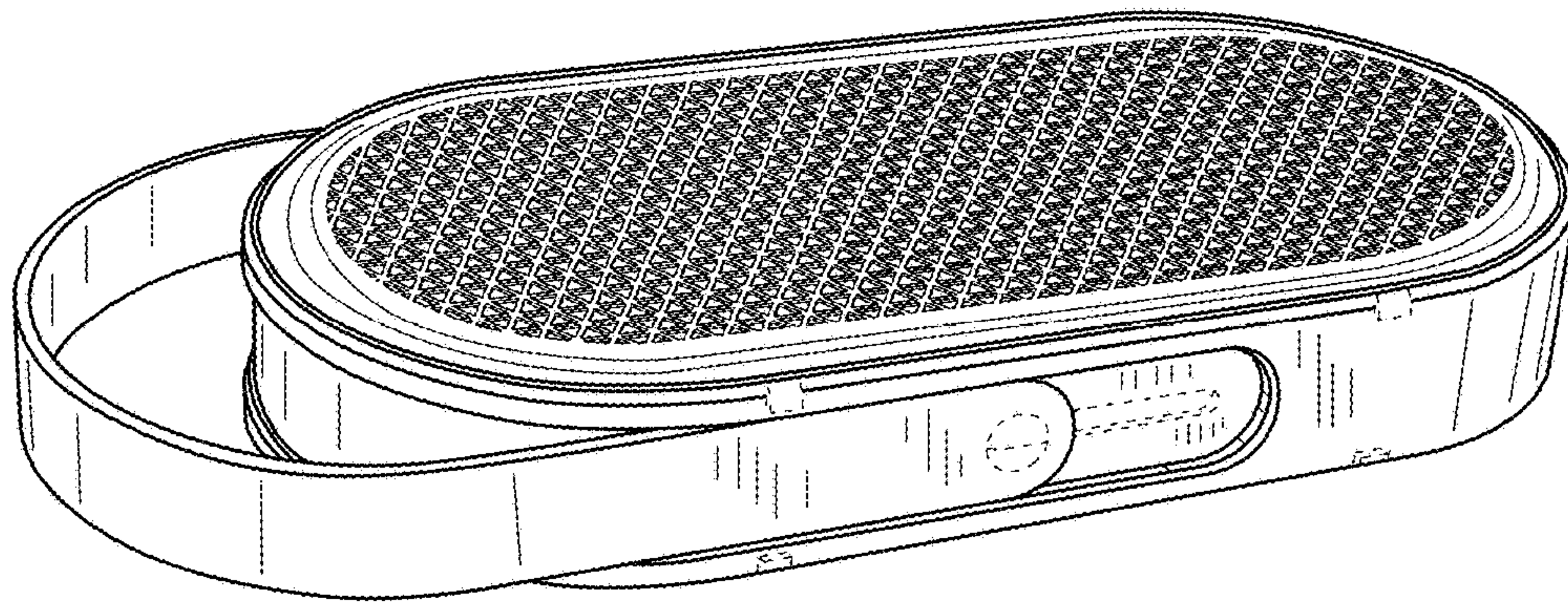


FIG.7