



US00D823866S

(12) **United States Design Patent** (10) **Patent No.:** **US D823,866 S**  
**Laing et al.** (45) **Date of Patent:** **\*\* Jul. 24, 2018**

(54) **DISPLAY SCREEN WITH GRAPHICAL USER INTERFACE**

(71) Applicant: **Under Armour, Inc.**, Baltimore, MD (US)

(72) Inventors: **Scott Laing**, Baltimore, MD (US);  
**Brian Carden**, Baltimore, MD (US);  
**Daniel Townson**, Baltimore, MD (US);  
**Eric Boam**, Baltimore, MD (US);  
**Marcus Piña**, Baltimore, MD (US);  
**Kate Dubuisson**, Baltimore, MD (US);  
**Andrew Moore**, Baltimore, MD (US)

(73) Assignee: **Under Armour, Inc.**, Baltimore, MD (US)

(\*\*) Term: **15 Years**

(21) Appl. No.: **29/631,121**

(22) Filed: **Dec. 27, 2017**

D493,471 S	7/2004	McIntosh	
D500,766 S	1/2005	Hanisch et al.	
D507,002 S	7/2005	Retuta et al.	
D544,495 S *	6/2007	Evans .....	D14/488
D545,713 S	7/2007	Waldman	
D611,952 S	3/2010	Berg et al.	
D665,161 S	8/2012	Leifeld et al.	
D665,163 S	8/2012	Leifeld et al.	
D687,460 S	8/2013	Tyler et al.	
D690,717 S	10/2013	Thomsen et al.	
D690,718 S	10/2013	Thomsen et al.	
D690,719 S	10/2013	Thomsen et al.	
D690,720 S	10/2013	Waldman	
D691,637 S	10/2013	Deurwaarder	
D692,017 S *	10/2013	Andersson .....	D14/485
D697,518 S	1/2014	Thomsen et al.	
D697,519 S	1/2014	Thomsen et al.	
D699,248 S	2/2014	Pearson et al.	
D699,251 S	2/2014	Rao et al.	
D699,737 S	2/2014	Pearson et al.	
D699,745 S	2/2014	Pearson et al.	
D699,746 S	2/2014	Pearson et al.	
D699,747 S	2/2014	Pearson et al.	
D699,748 S	2/2014	Pearson et al.	
D699,749 S	2/2014	Pearson et al.	
D699,750 S	2/2014	Pearson et al.	

(Continued)

**Related U.S. Application Data**

(62) Division of application No. 29/539,267, filed on Sep. 11, 2015.

(51) **LOC (11) Cl.** ..... **14-04**

(52) **U.S. Cl.**  
USPC ..... **D14/485**

(58) **Field of Classification Search**  
USPC ..... D14/485-495  
CPC ..... G06F 3/0482; G06F 3/04817  
See application file for complete search history.

**References Cited**

**U.S. PATENT DOCUMENTS**

D464,360 S	10/2002	Grundel et al.	
6,549,219 B2 *	4/2003	Selker .....	G06F 3/0482 345/902

*Primary Examiner* — Richelle G Shelton

(74) *Attorney, Agent, or Firm* — Maginot, Moore & Beck LLP

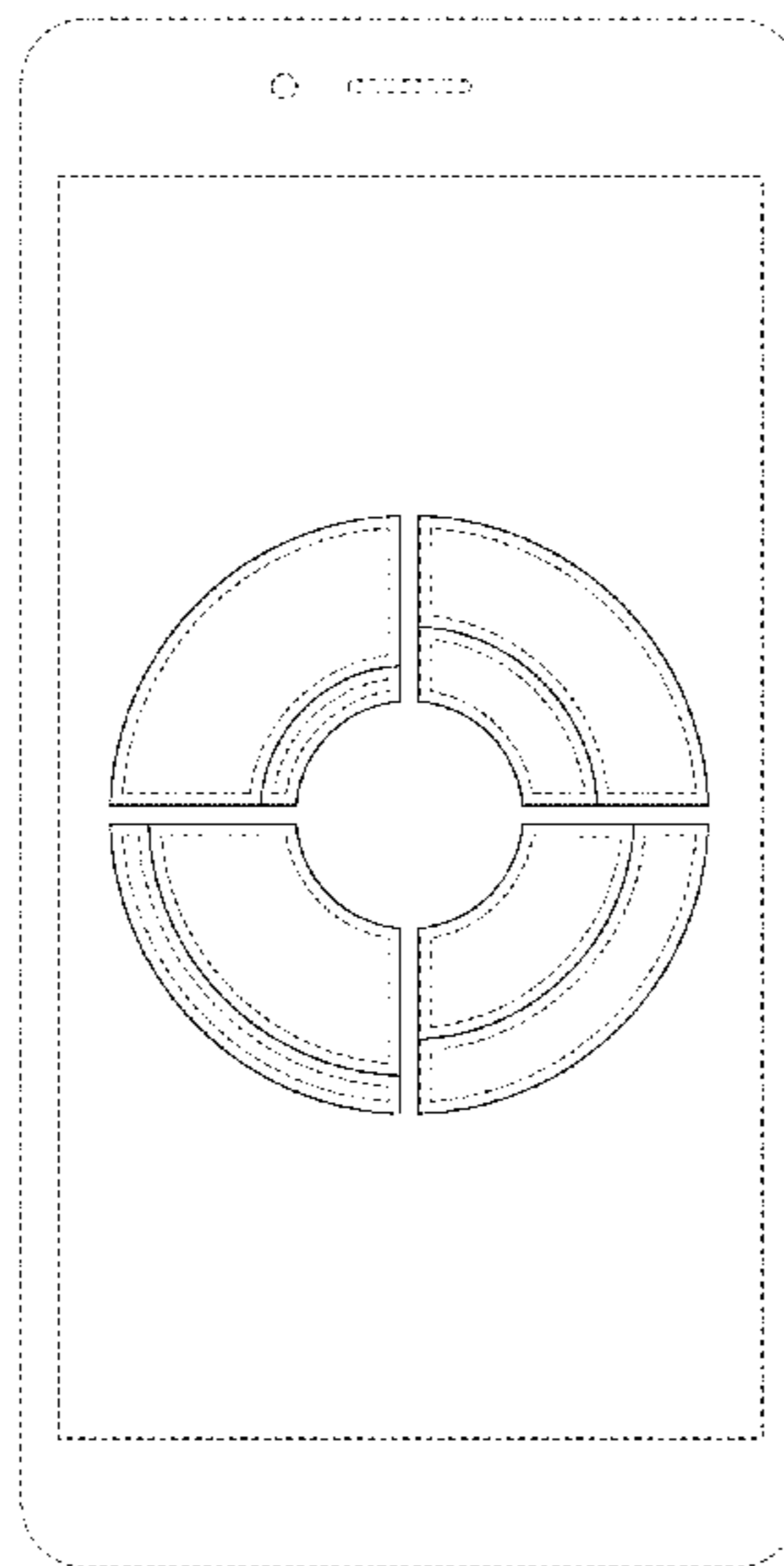
(57) **CLAIM**

The ornamental design for a display screen with graphical user interface, as shown and described.

**DESCRIPTION**

The FIGURE is a front view of a display screen with graphical user interface showing our new design. The broken lines shown in the drawings illustrate portions of the display screen with graphical user interface that form no part of the claimed design.

**1 Claim, 1 Drawing Sheet**



(56)

**References Cited**

U.S. PATENT DOCUMENTS

D700,207 S 2/2014 Pearson et al.  
 D701,877 S 4/2014 Kotler et al.  
 D702,250 S 4/2014 Kotler et al.  
 D702,251 S 4/2014 Kotler et al.  
 D702,252 S 4/2014 Kotler et al.  
 D702,253 S 4/2014 Kotler et al.  
 D702,706 S 4/2014 Kotler et al.  
 D702,707 S 4/2014 Kotler et al.  
 D704,213 S 5/2014 Agnew  
 D710,367 S 8/2014 Quattrocchi  
 D712,911 S 9/2014 Pearson et al.  
 D715,808 S \* 10/2014 Ishimoto ..... D14/485  
 D716,315 S 10/2014 Behzadi et al.  
 D716,316 S 10/2014 Behzadi et al.  
 D716,317 S 10/2014 Behzadi et al.  
 D716,318 S 10/2014 Fan  
 D716,319 S 10/2014 Fan  
 D716,320 S 10/2014 Fan  
 D716,321 S 10/2014 Fan  
 D716,325 S 10/2014 Brudnicki

D722,079 S 2/2015 Charles et al.  
 D722,082 S 2/2015 Roberts et al.  
 D722,606 S 2/2015 Stroupe et al.  
 D724,618 S 3/2015 Shin  
 D725,674 S 3/2015 Jung et al.  
 D726,219 S 4/2015 Chaudhri et al.  
 D726,221 S 4/2015 Gomez et al.  
 D726,741 S 4/2015 Lee et al.  
 D740,301 S \* 10/2015 Soegiono ..... G06F 3/04817  
 D14/485  
 D750,663 S \* 3/2016 Mariet ..... D14/489  
 D757,817 S \* 5/2016 Pan ..... G06F 3/04817  
 D14/494  
 D766,971 S \* 9/2016 Napper ..... D14/485  
 D774,539 S \* 12/2016 He ..... D14/487  
 D797,756 S \* 9/2017 Meyer ..... D14/485  
 D811,421 S \* 2/2018 Caldwell ..... G06Q 40/12  
 D14/485  
 2009/0153527 A1 \* 6/2009 Paczkowski ..... G06F 3/03547  
 345/184  
 2014/0351753 A1 \* 11/2014 Shin ..... G06F 3/0488  
 715/810

\* cited by examiner

