



US00D823857S

(12) **United States Design Patent** (10) **Patent No.:** **US D823,857 S**  
**Chen et al.** (45) **Date of Patent:** **\*\* Jul. 24, 2018**

(54) **STAND FOR A DISPLAY**  
(71) Applicants: **I-Chen Chen**, Taipei (TW); **Li-Fang Chen**, Taipei (TW); **Ching-Hua Li**, Taipei (TW)  
(72) Inventors: **I-Chen Chen**, Taipei (TW); **Li-Fang Chen**, Taipei (TW); **Ching-Hua Li**, Taipei (TW)  
(73) Assignee: **COMPAL ELECTRONICS, INC.**, Taipei (TW)  
(\*\*) Term: **15 Years**  
(21) Appl. No.: **29/566,417**  
(22) Filed: **May 30, 2016**  
(51) **LOC (11) Cl.** ..... **08-07**  
(52) **U.S. Cl.**  
USPC ..... **D14/447**  
(58) **Field of Classification Search**  
USPC ..... D14/447, 432, 434, 439, 440, 451, 452, D14/457, 239; D8/363, 373, 380, 406.3, D8/406.4, 406.5, 406.6; D12/415  
CPC ..... A47B 21/04; A47B 2097/006; A47B 2097/005; A47B 2023/049; A45C 2011/002; A45C 2011/003; F16M 2200/00; F16M 13/00  
See application file for complete search history.

D724,597 S \* 3/2015 Akana ..... D14/447  
D747,322 S \* 1/2016 Li ..... D14/447  
D748,099 S \* 1/2016 Heid ..... D14/447  
D751,431 S \* 3/2016 Browning ..... D10/74  
D751,564 S \* 3/2016 Hahn ..... D14/447

\* cited by examiner

*Primary Examiner* — Angela J Lee  
(74) *Attorney, Agent, or Firm* — JCIPRNET

(57) **CLAIM**

The ornamental design for a stand for a display, as shown and described.

**DESCRIPTION**

FIG. 1 is a perspective view of a stand for a display showing our new design;  
FIG. 2 is a front view thereof;  
FIG. 3 is a rear view thereof;  
FIG. 4 is a left side view thereof;  
FIG. 5 is a right side view thereof;  
FIG. 6 is a top view thereof;  
FIG. 7 is a bottom view thereof;  
FIG. 8 is a perspective view thereof showing in a rotating state;  
FIG. 9 is an enlarged view of an indicated portion of FIG. 1;  
FIG. 10 is an enlarged view of an indicated portion of FIG. 4;  
FIG. 11 is an enlarged view of an indicated portion of FIG. 6; and,  
FIG. 12 is an enlarged view of an indicated portion of FIG. 7.  
The dot-dashed broken lines represent a boundary of the claimed design and form no part of the claimed design. The dashed line showing of portions of the stand for a display is for the purpose of illustrating unclaimed portions of the stand for a display and forms no part of the claimed design.

(56) **References Cited**  
U.S. PATENT DOCUMENTS  
D661,308 S \* 6/2012 Capozzoli, II ..... D14/447  
D682,282 S \* 5/2013 Steinfeld ..... D14/447  
D692,440 S \* 10/2013 Tsai ..... D14/447  
D703,676 S \* 4/2014 Smith ..... D14/447  
D703,677 S \* 4/2014 Bigazzi ..... D14/447  
D715,804 S \* 10/2014 Frenzel ..... D14/447  
D720,758 S \* 1/2015 Janz ..... D14/447  
D721,710 S \* 1/2015 Messing ..... D14/447

**1 Claim, 8 Drawing Sheets**

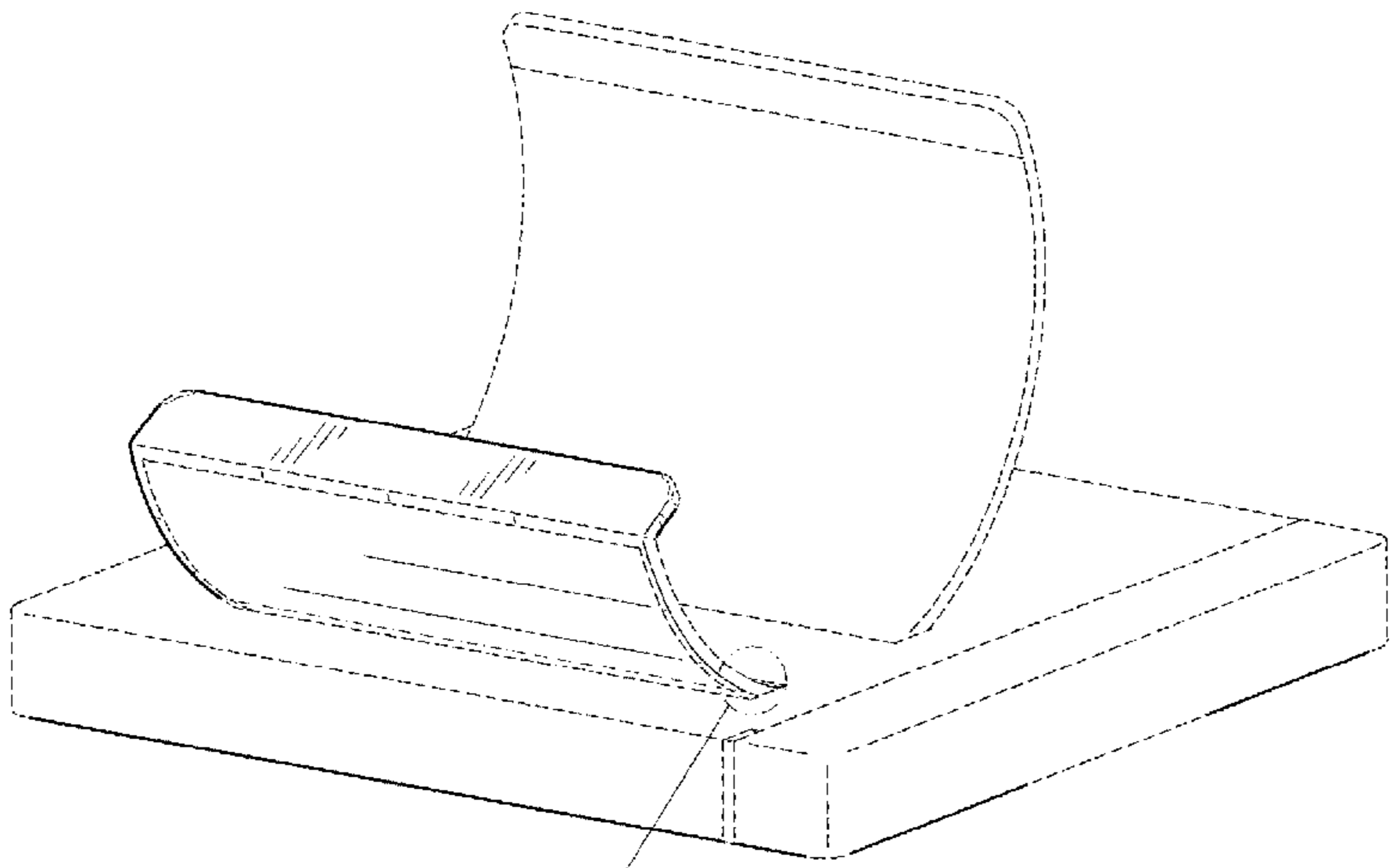


FIG. 9

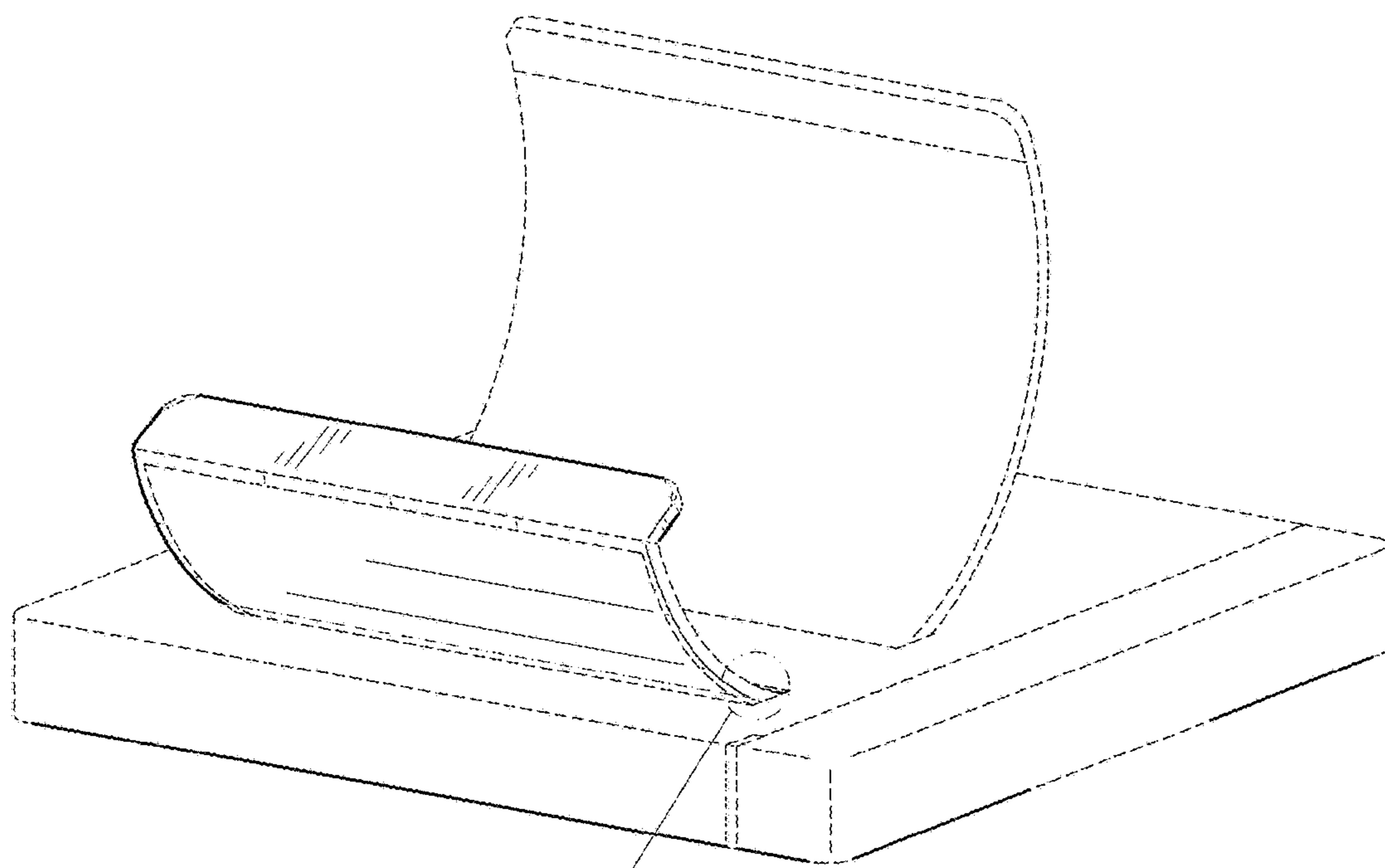


FIG. 9

FIG. 1

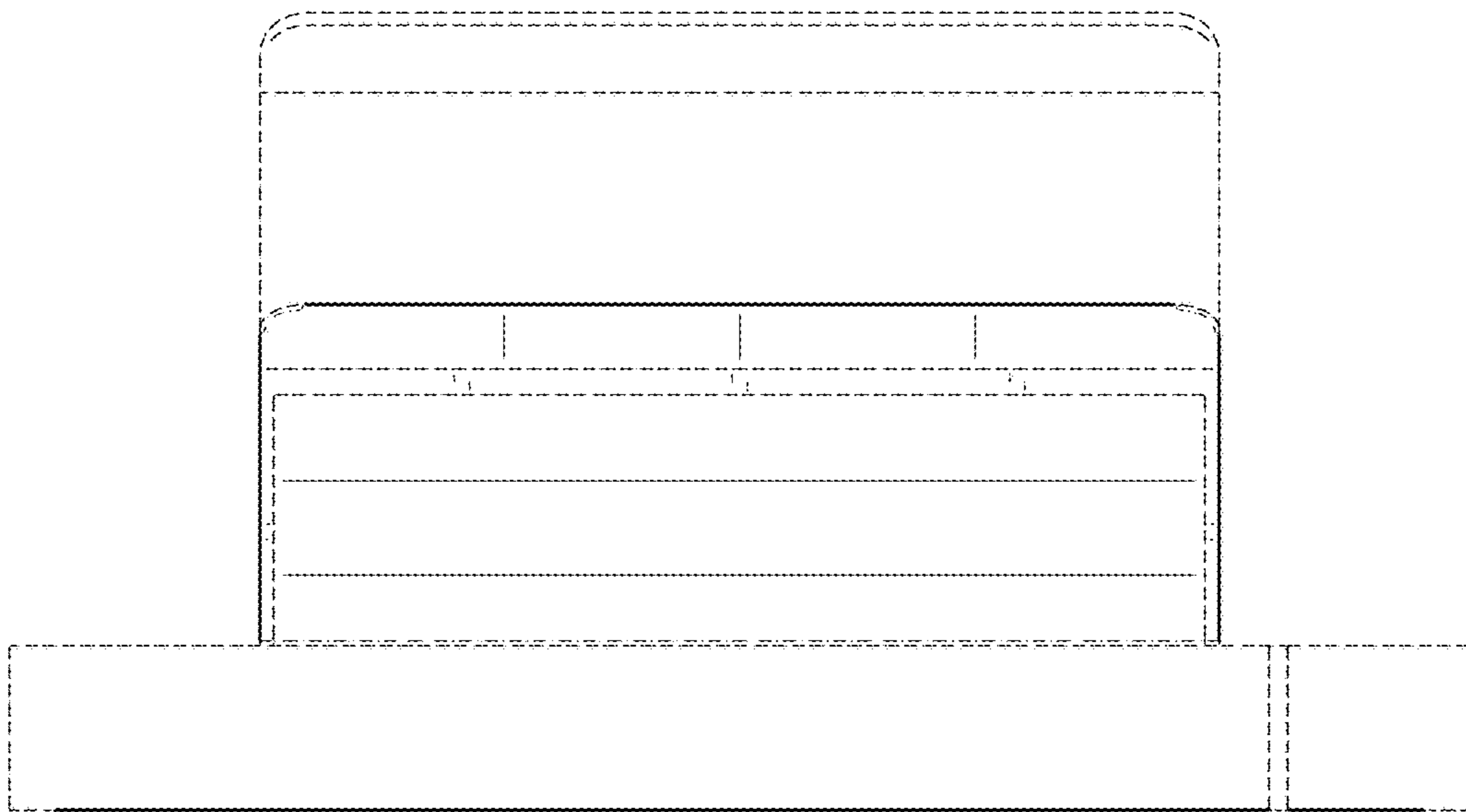


FIG. 2

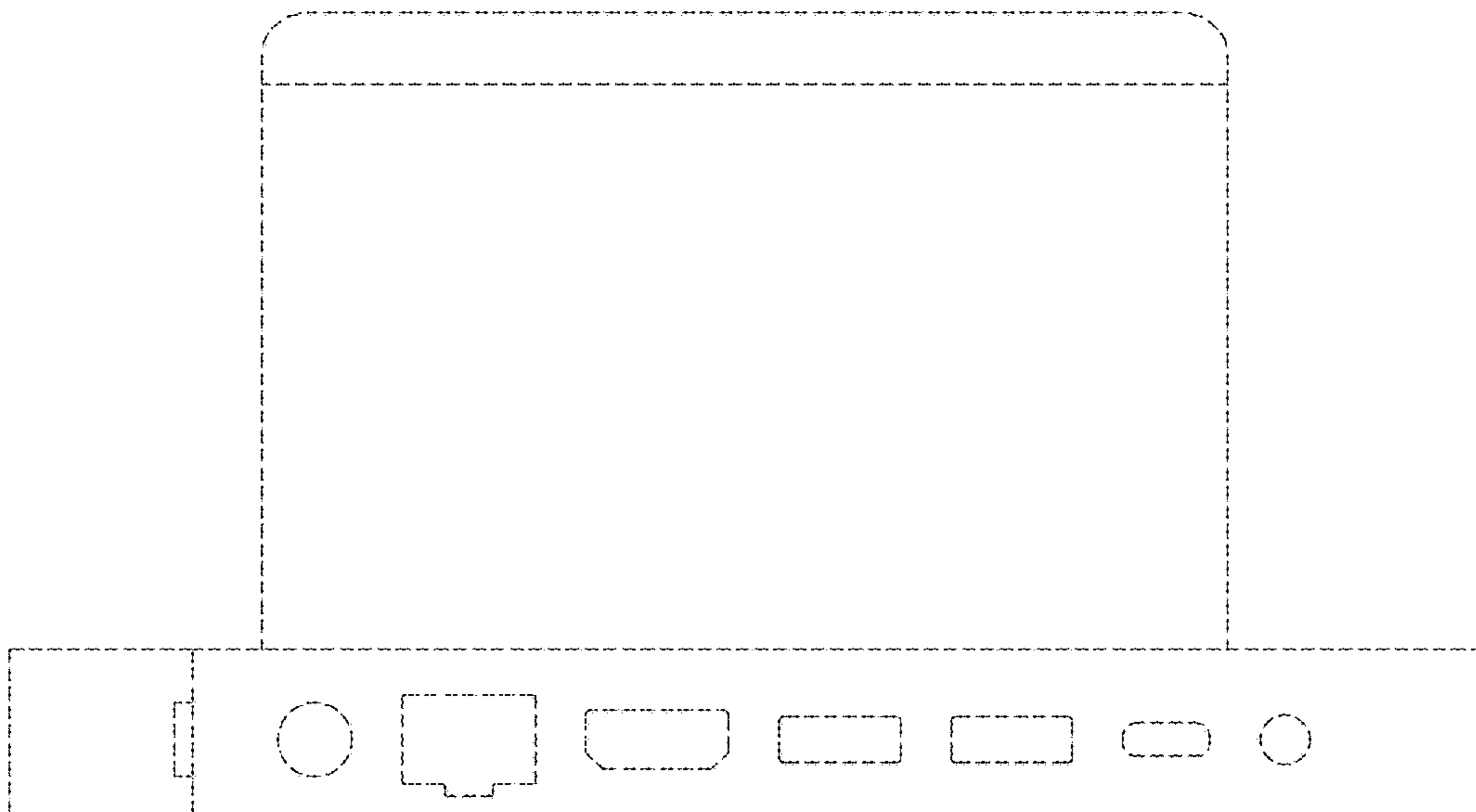


FIG. 3

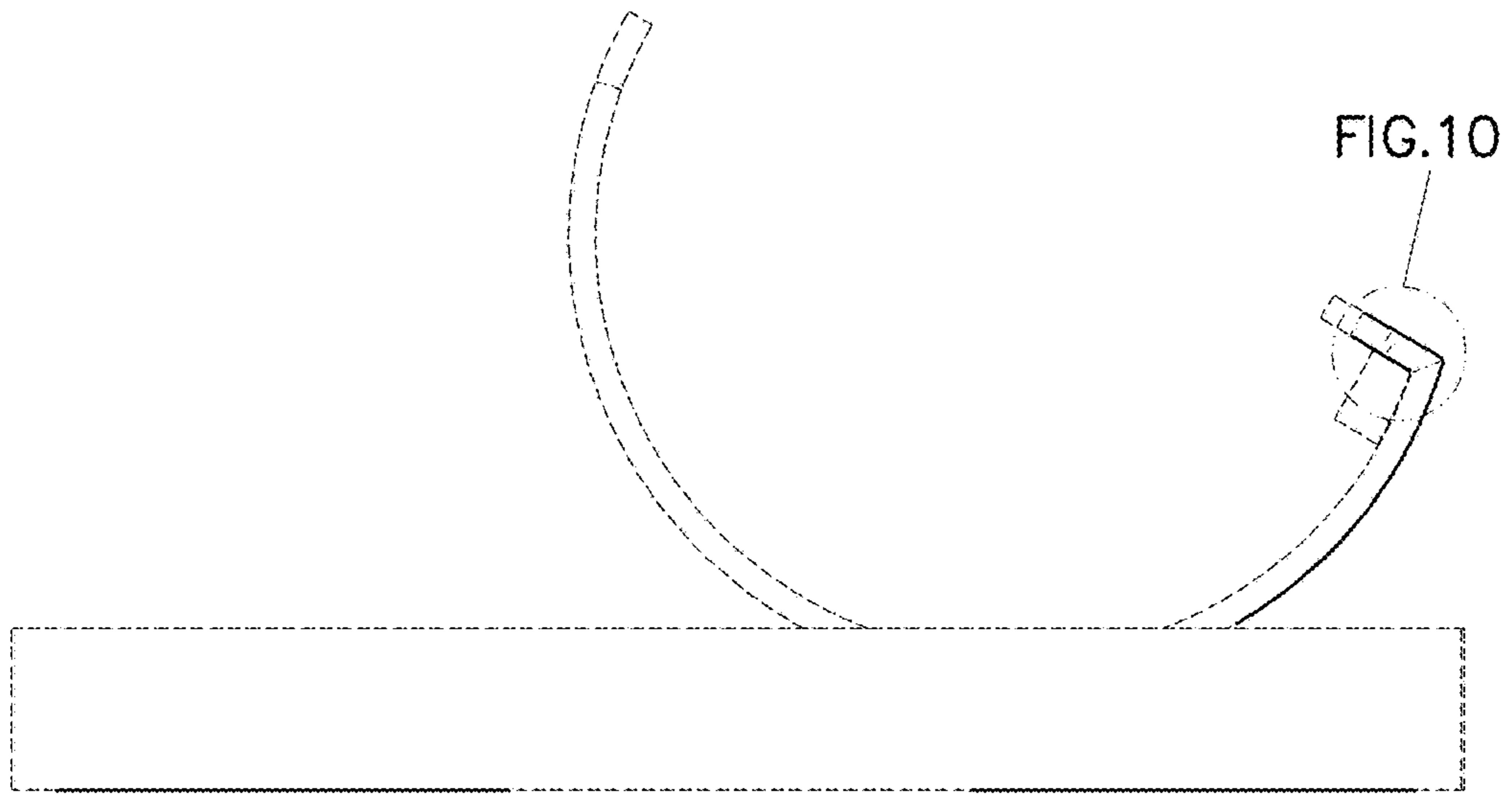


FIG. 4

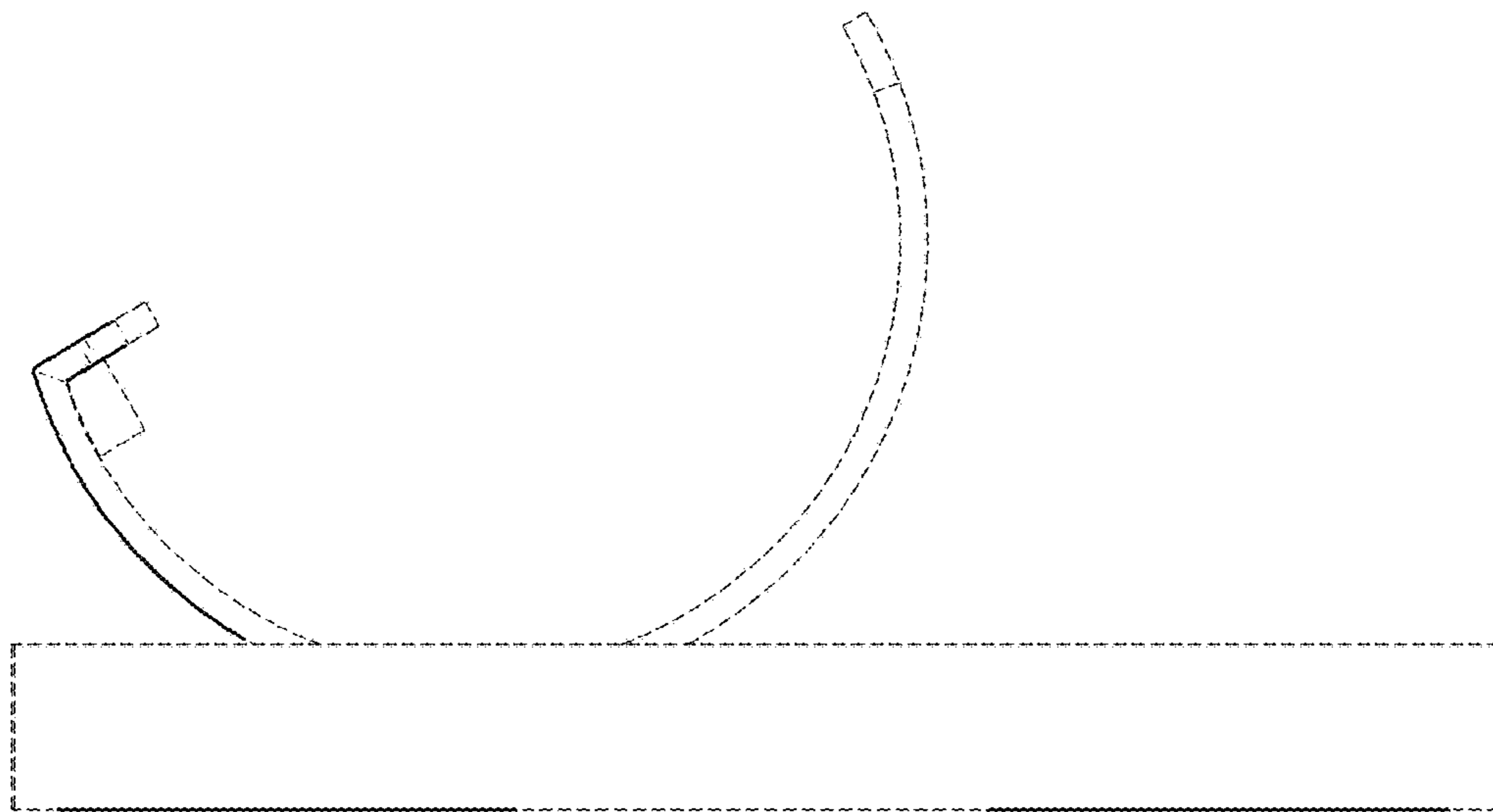


FIG. 5

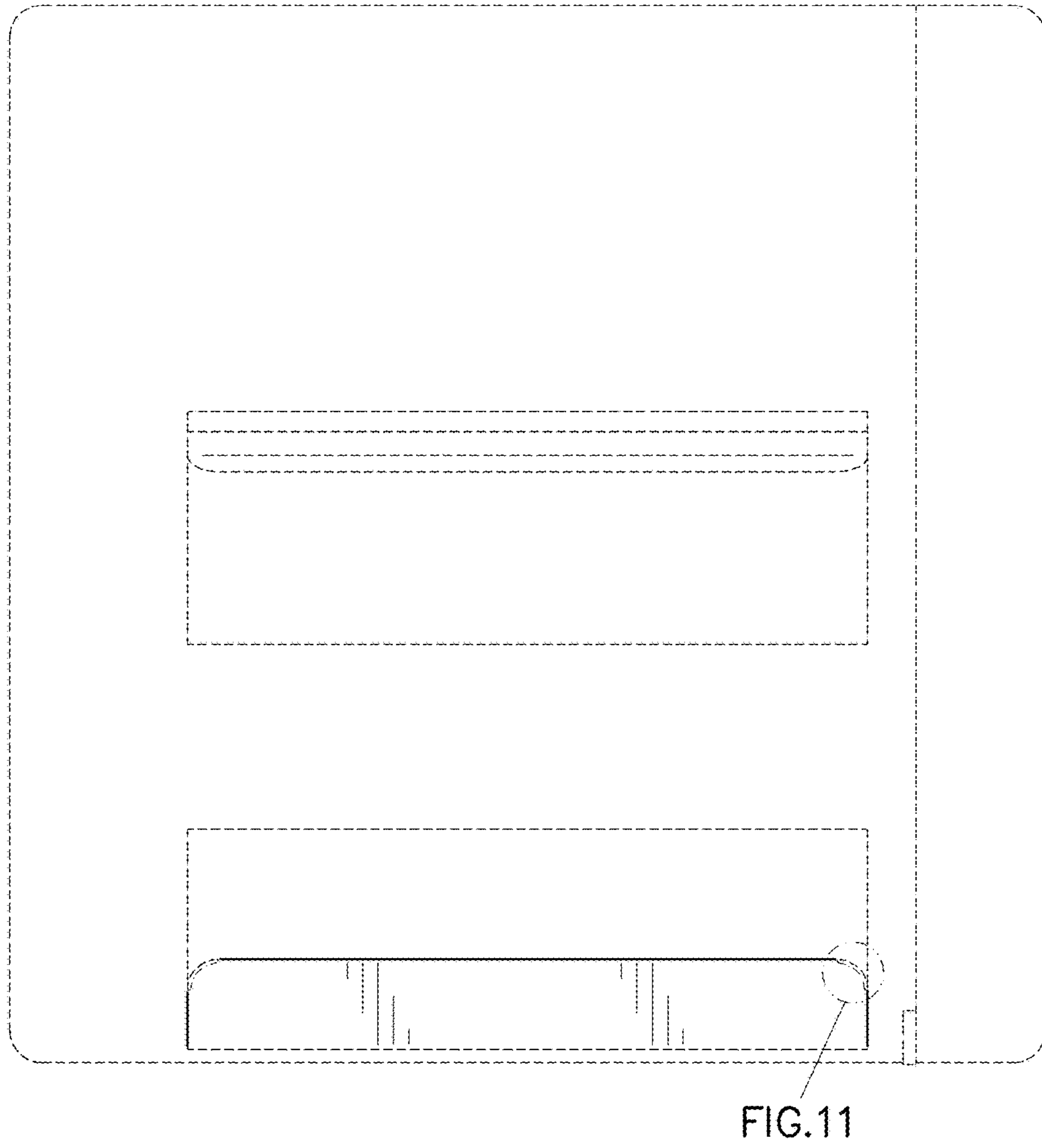


FIG. 6

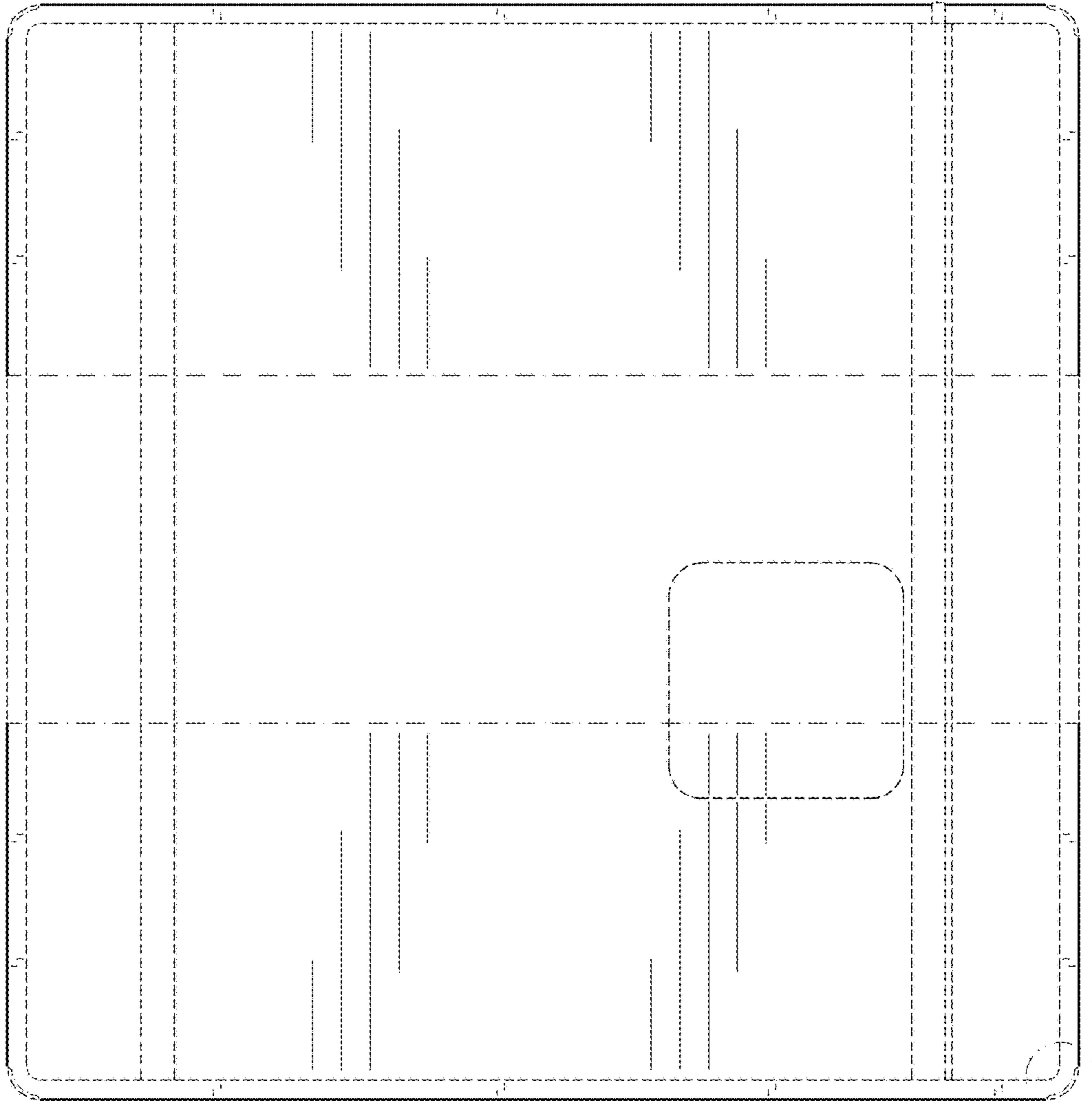


FIG. 7

FIG.12

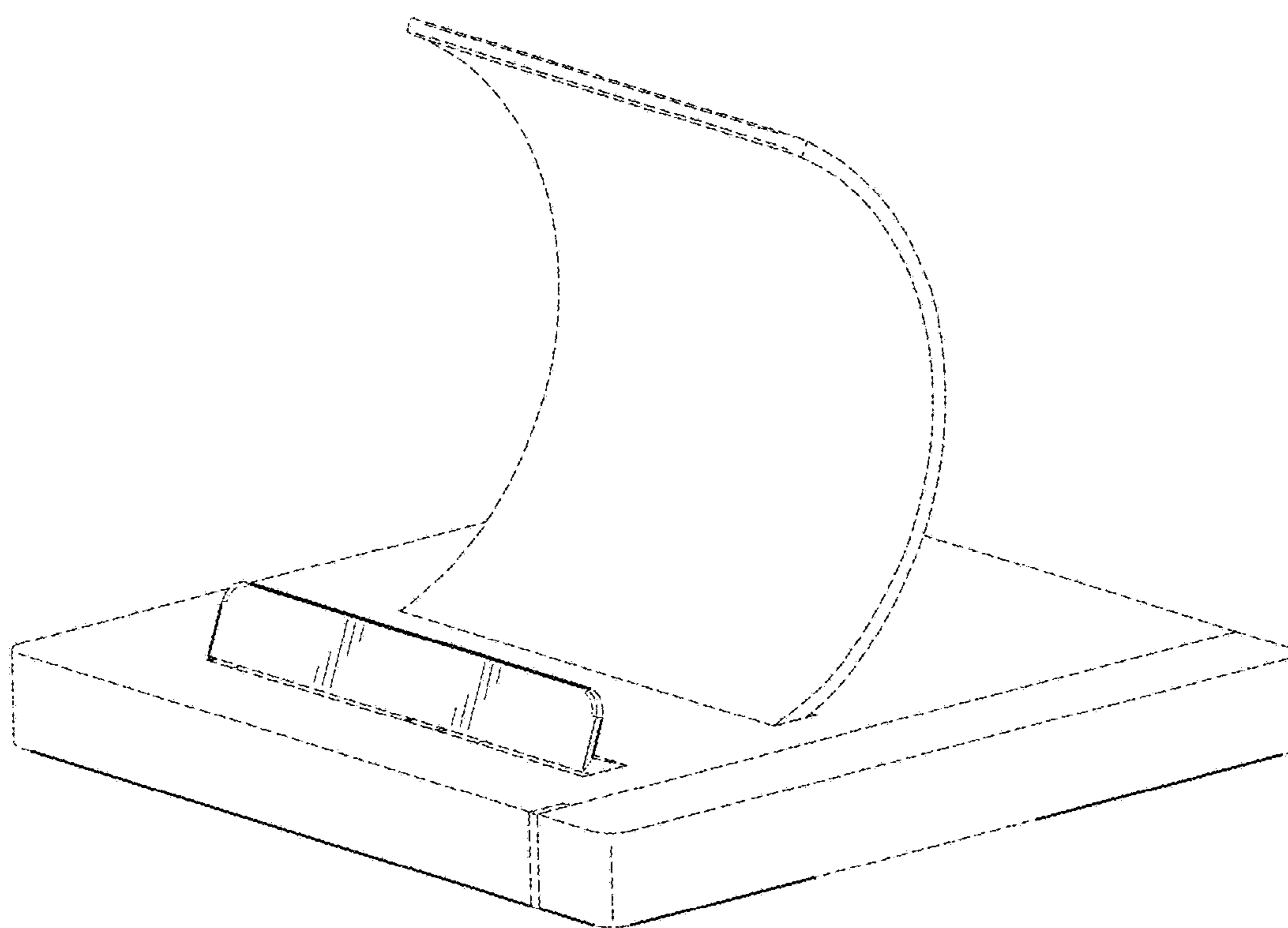


FIG. 8

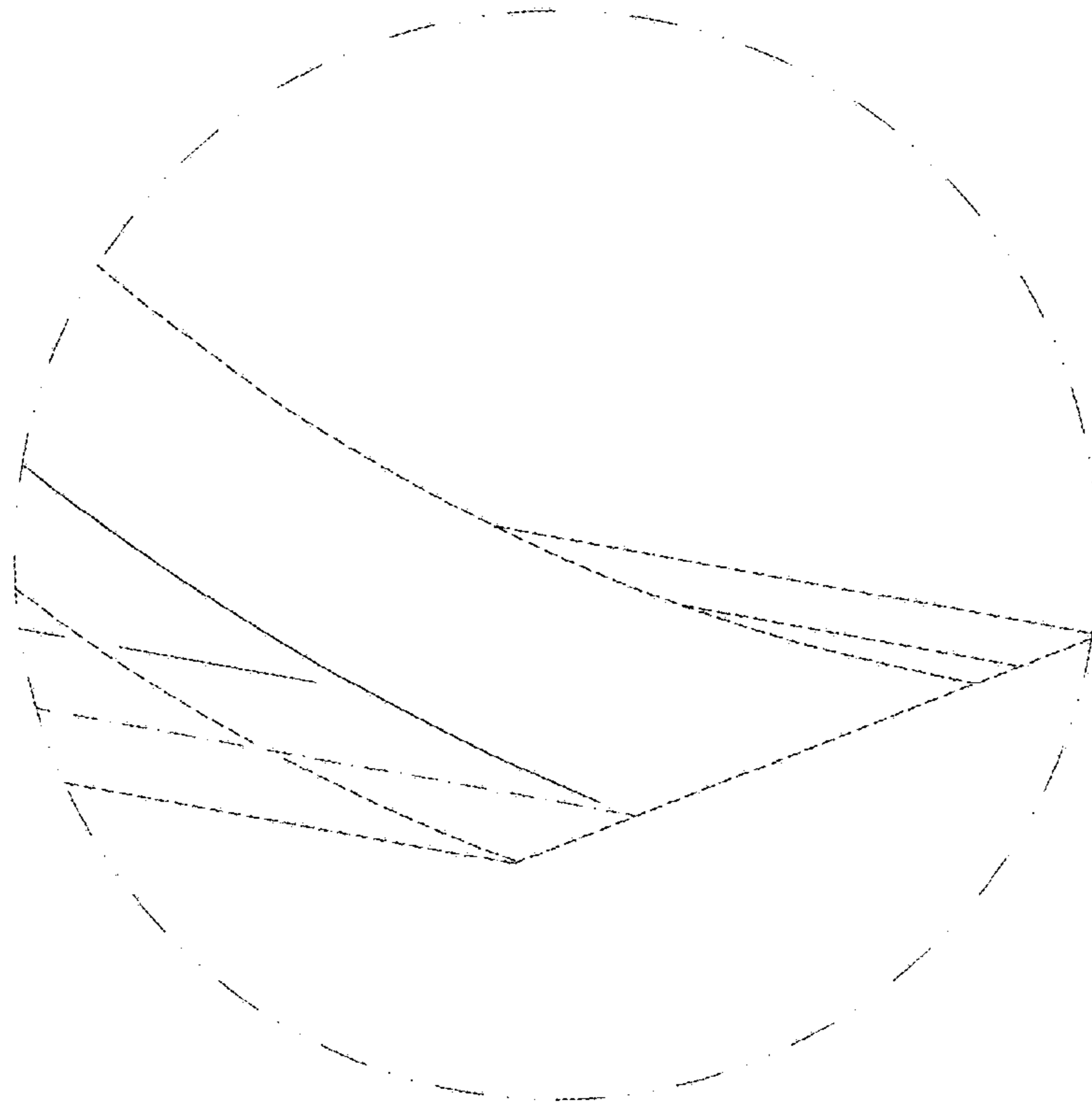


FIG. 9

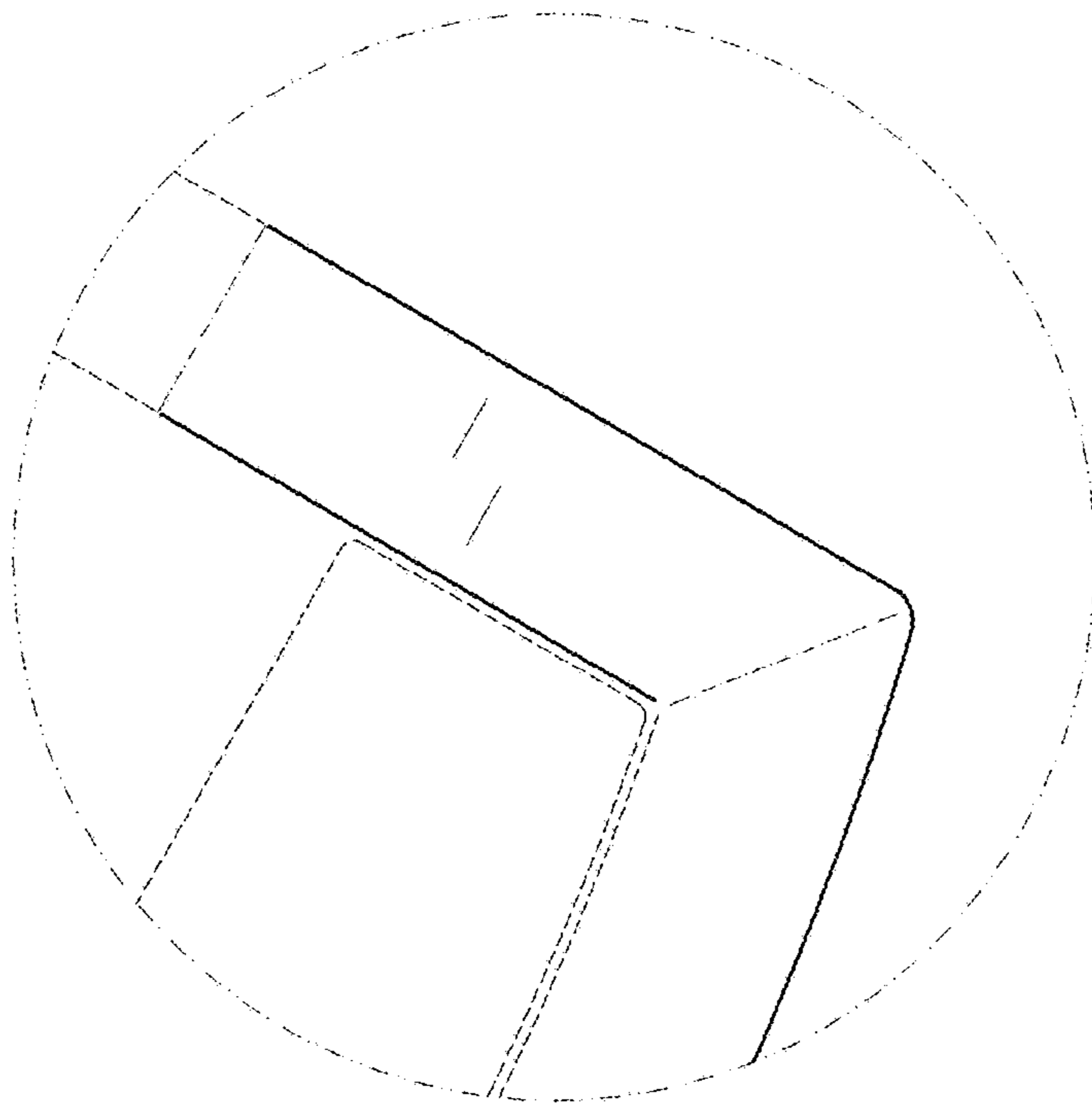


FIG. 10



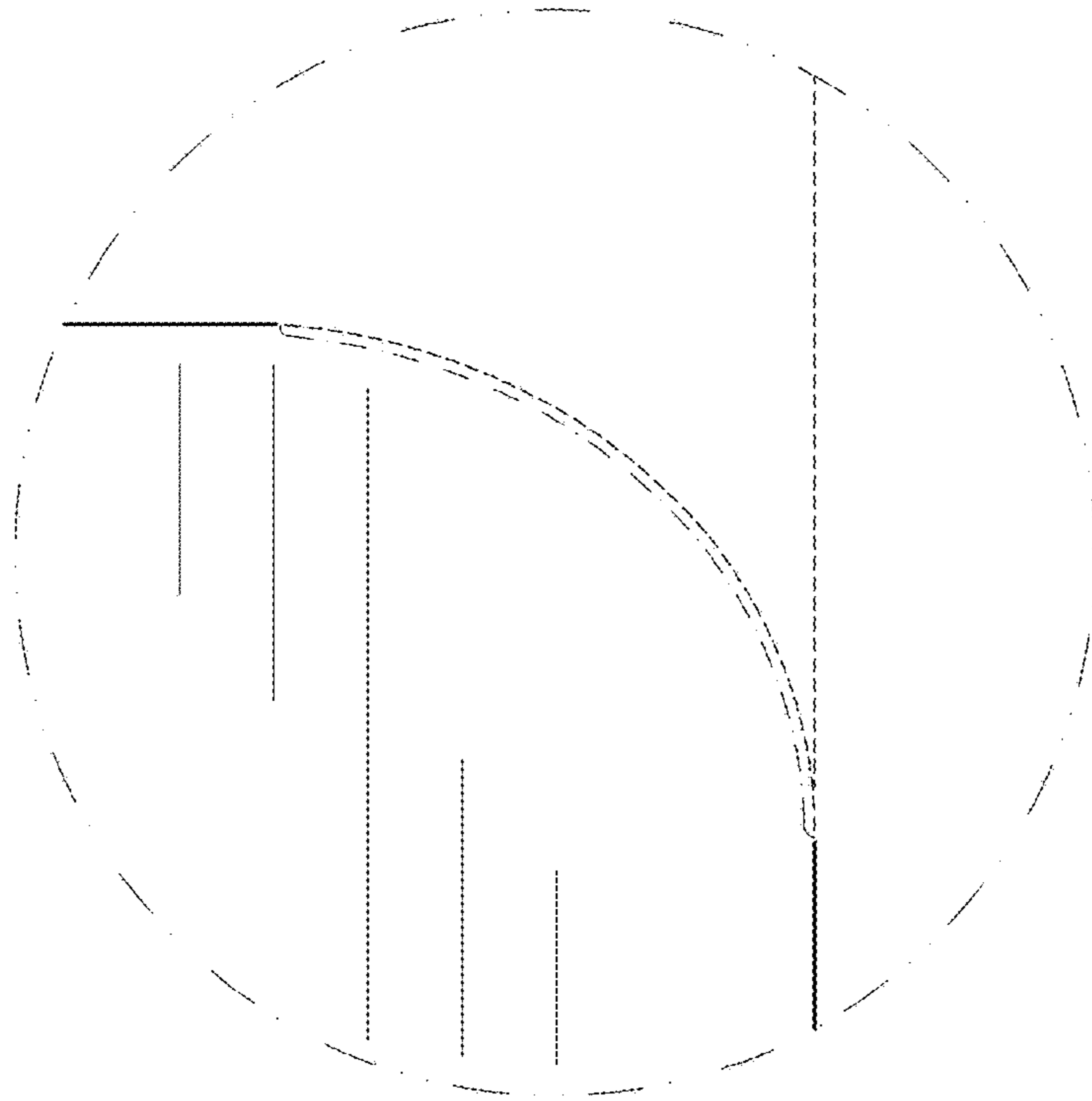


FIG. 11

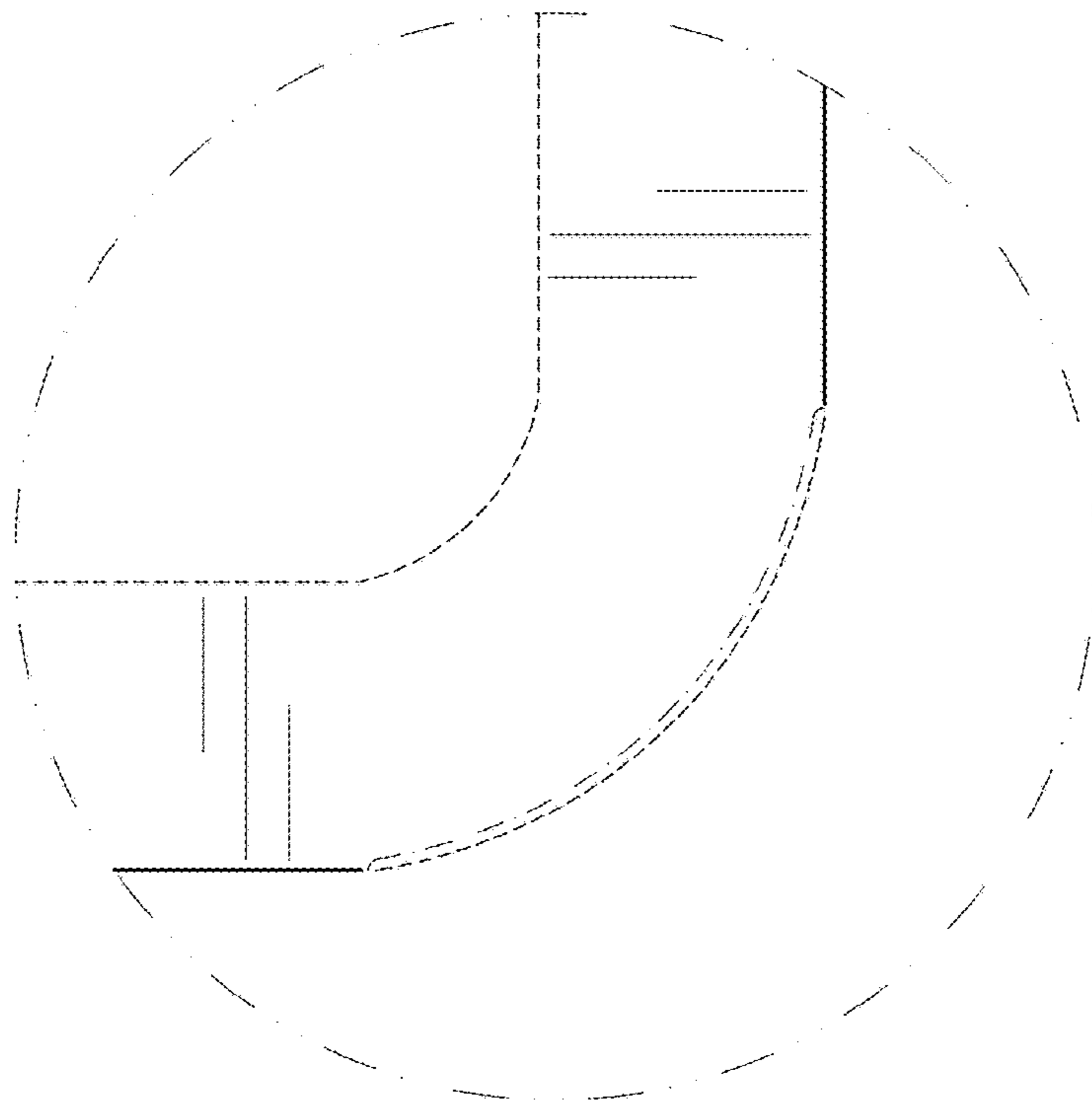


FIG. 12