



US00D823856S

(12) **United States Design Patent** (10) **Patent No.:** **US D823,856 S**  
**Asamizu et al.** (45) **Date of Patent:** **\*\* Jul. 24, 2018**

(54) **DISPLAY**

A47F 5/00; G09F 15/00; G09F 17/00;  
H01H 9/00; A47G 1/06

(71) Applicant: **Sakai Display Products Corporation**,  
Sakai-shi, Osaka (JP)

See application file for complete search history.

(72) Inventors: **Tomohiro Asamizu**, Sakai (JP); **Hiroki Azuma**, Sakai (JP); **Noriaki Miyoshi**, Sakai (JP); **Shigeyoshi Okazaki**, Sakai (JP); **Takayuki Nakazawa**, Sakai (JP); **Motoaki Okitsu**, Sakai (JP); **Kohhei Nanbu**, Sakai (JP); **Naoki Hosoya**, Sakai (JP)

(56) **References Cited**

U.S. PATENT DOCUMENTS

D343,299	S	*	1/1994	Olivier	.....	D6/300
5,619,816	A	*	4/1997	Ellison	.....	A47G 1/141 40/738
D450,192	S	*	11/2001	Whitcomb	.....	D6/310
D529,722	S	*	10/2006	Schaefer	.....	D6/300
D603,190	S	*	11/2009	Hill	.....	D6/661.3
D678,697	S	*	3/2013	Hill	.....	D6/661.3
D680,090	S	*	4/2013	Serota	.....	D14/126
D702,683	S	*	4/2014	Yeung	.....	D14/371
8,832,980	B2	*	9/2014	Hill	.....	G09F 1/06 40/603

(73) Assignee: **Sakai Display Products Corporation**,  
Sakai-shi, Osaka (JP)

(\*\*) Term: **15 Years**

(Continued)

(21) Appl. No.: **29/578,448**

*Primary Examiner* — Freda S Nunn

(22) Filed: **Sep. 21, 2016**

(74) *Attorney, Agent, or Firm* — Edward J. Baba; Bret E. Field; Bozicevic, Field & Francis LLP

(30) **Foreign Application Priority Data**

Apr. 20, 2016 (JP) ..... 2016-8730

(51) **LOC (11) Cl.** ..... **14-02**

(52) **U.S. Cl.**  
USPC ..... **D14/374**

(58) **Field of Classification Search**  
USPC ..... D14/371–375, 125–129, 336, 337, 341,  
D14/239; 341/12; 345/104, 156, 168,  
345/173; 348/180, 184, 325, 739; 349/1,  
349/2, 11, 62; 361/679.05–679.07,  
361/679.21; D6/300, 308, 310, 661.3;  
D20/10

CPC ..... G06F 1/16; G06F 1/1601; G06F 3/037;  
G06F 1/162; G06F 1/1613; G06F  
1/133308; G06F 3/042; F16M 11/02;  
F16M 11/10; F16M 11/00; F16M 11/06;  
F16M 11/18; F16M 11/045; F16M  
11/105; F16M 11/041; F16M 11/126;  
F16M 11/04; F16M 13/02; F16M 11/24;

(57) **CLAIM**

The ornamental design for display, as shown and described.

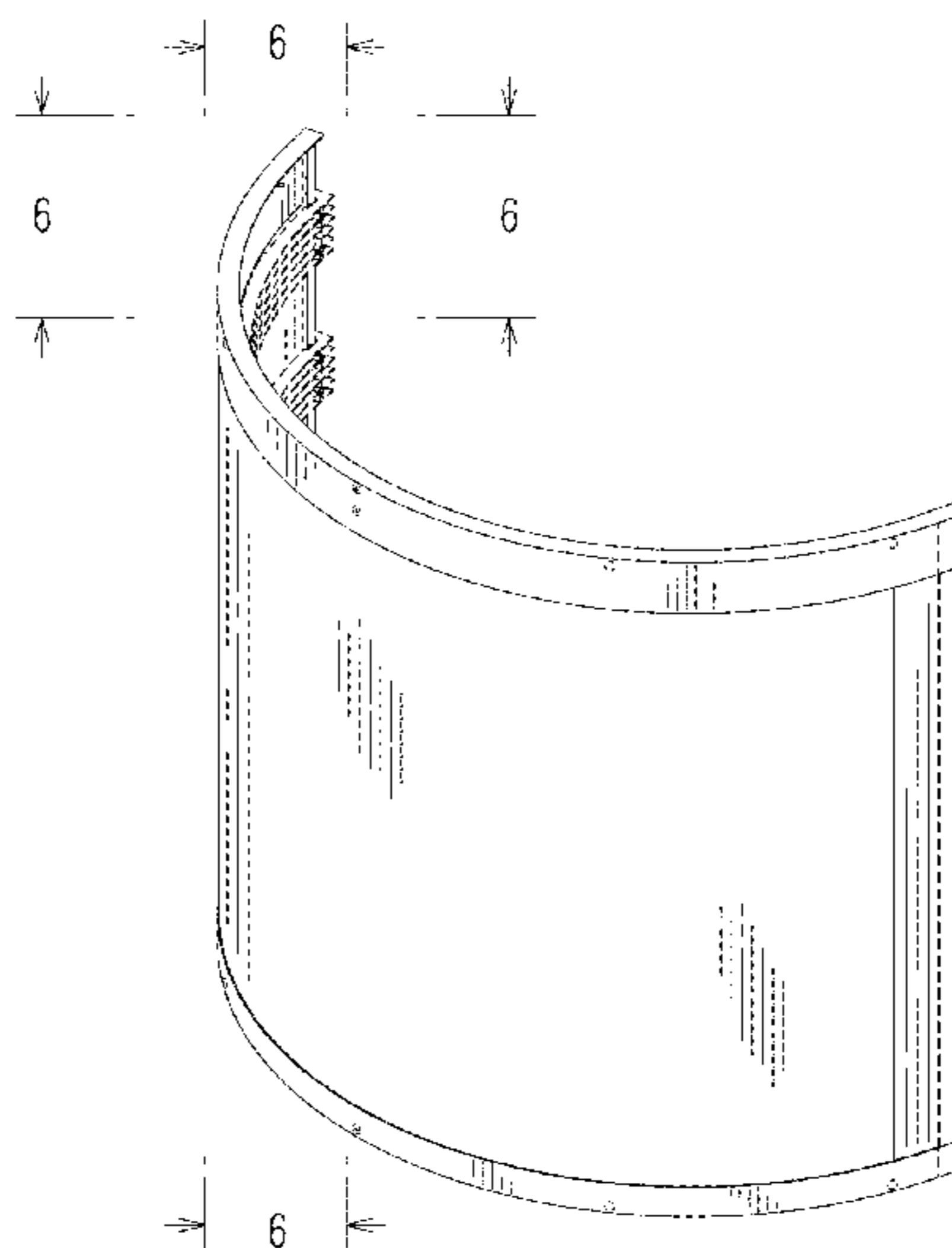
**DESCRIPTION**

FIG. 1 is a front view of the display.  
FIG. 2 is a rear view of the display.  
FIG. 3 is a top plan view of the display.  
FIG. 4 is a left side view of the display.  
FIG. 5 is a perspective view of the display; and,  
FIG. 6 is a partially enlarged view of a section of the display in FIG. 5.

The undisclosed right side view is symmetrical to the left side and the undisclosed bottom view is symmetrical to the top plan view thereof.

Broken lines shown in the drawings do not form part of the claimed design.

**1 Claim, 6 Drawing Sheets**



(56)

**References Cited**

U.S. PATENT DOCUMENTS

8,922,531 B2 \* 12/2014 Lee ..... G06F 1/1652  
 345/173  
 8,982,545 B2 \* 3/2015 Kim ..... B32B 17/064  
 174/255  
 D735,194 S \* 7/2015 Kim ..... D14/374  
 D740,800 S \* 10/2015 Lim ..... D14/300  
 D743,705 S \* 11/2015 Cisler, II ..... D6/300  
 D747,718 S \* 1/2016 Drabant ..... D14/371  
 2006/0273304 A1 \* 12/2006 Cok ..... H01L 51/0096  
 257/40  
 2008/0002161 A1 \* 1/2008 Streid ..... G03B 21/32  
 353/98  
 2009/0161048 A1 \* 6/2009 Satake ..... G02F 1/133305  
 349/110  
 2011/0163999 A1 \* 7/2011 Lin ..... G06F 1/1601  
 345/176  
 2013/0321740 A1 \* 12/2013 An ..... H05K 5/0217  
 349/58  
 2015/0168792 A1 \* 6/2015 Woo ..... G02F 1/1333  
 349/110  
 2015/0189768 A1 \* 7/2015 Kishida ..... H05K 1/028  
 361/749  
 2015/0192481 A1 \* 7/2015 Nguyen ..... G01L 1/22  
 345/206

\* cited by examiner

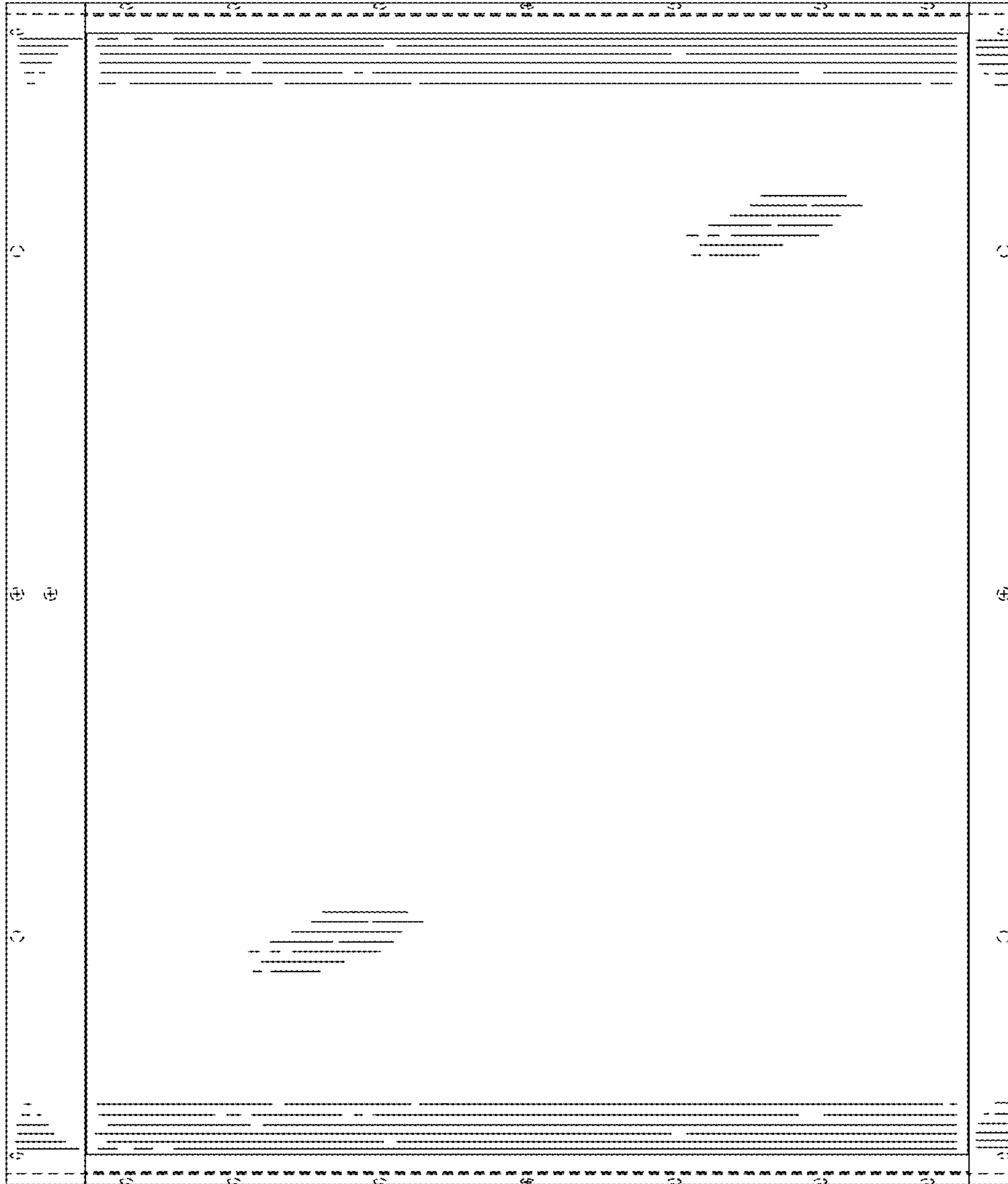


FIG. 1

FIG. 2

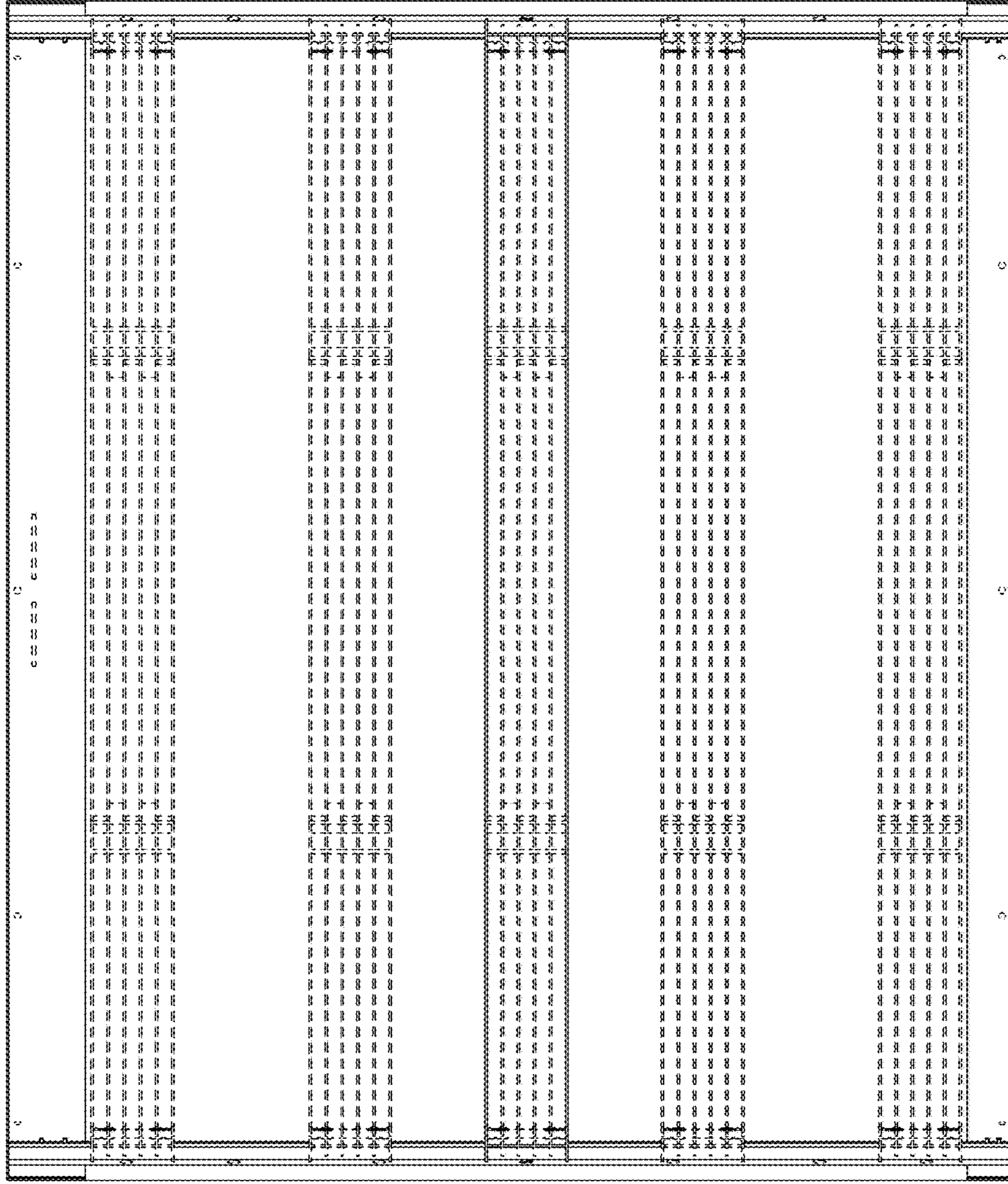


FIG. 3

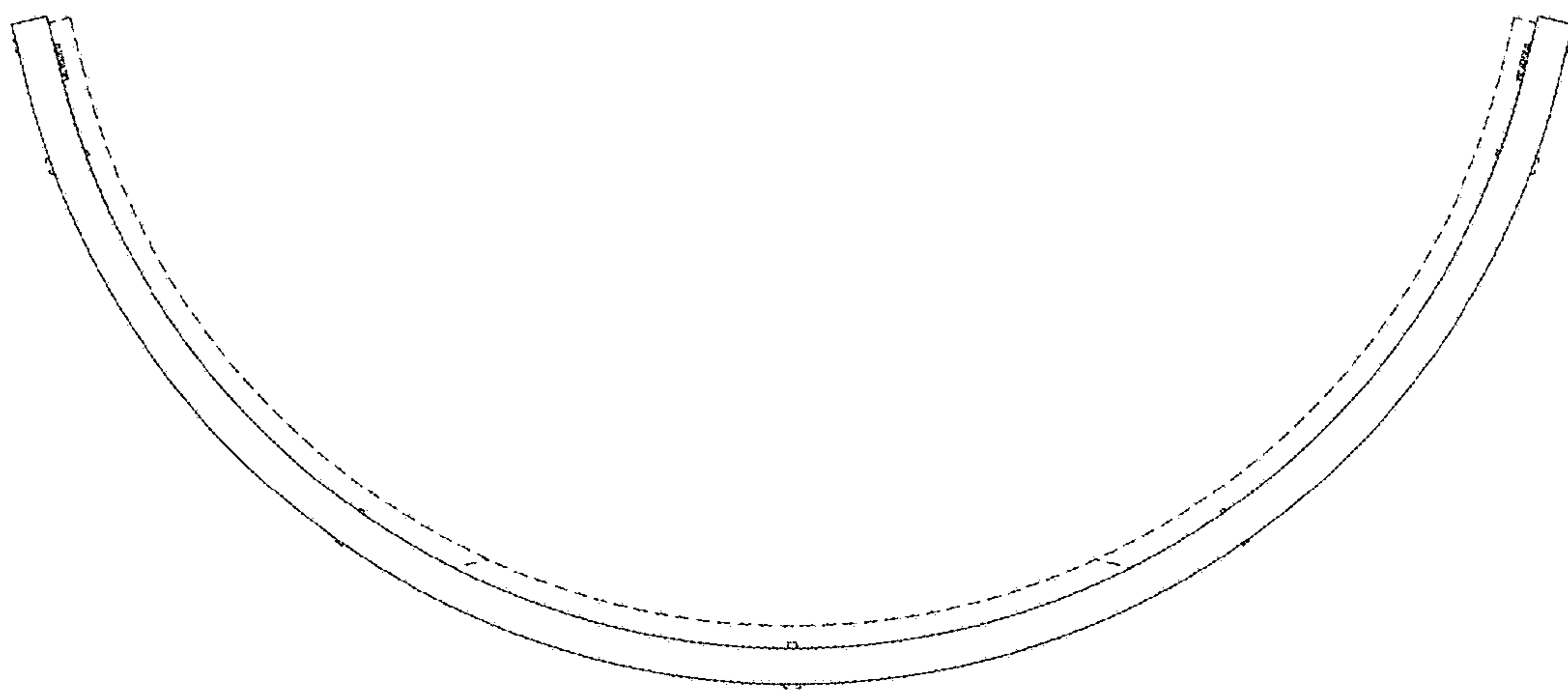


FIG. 4

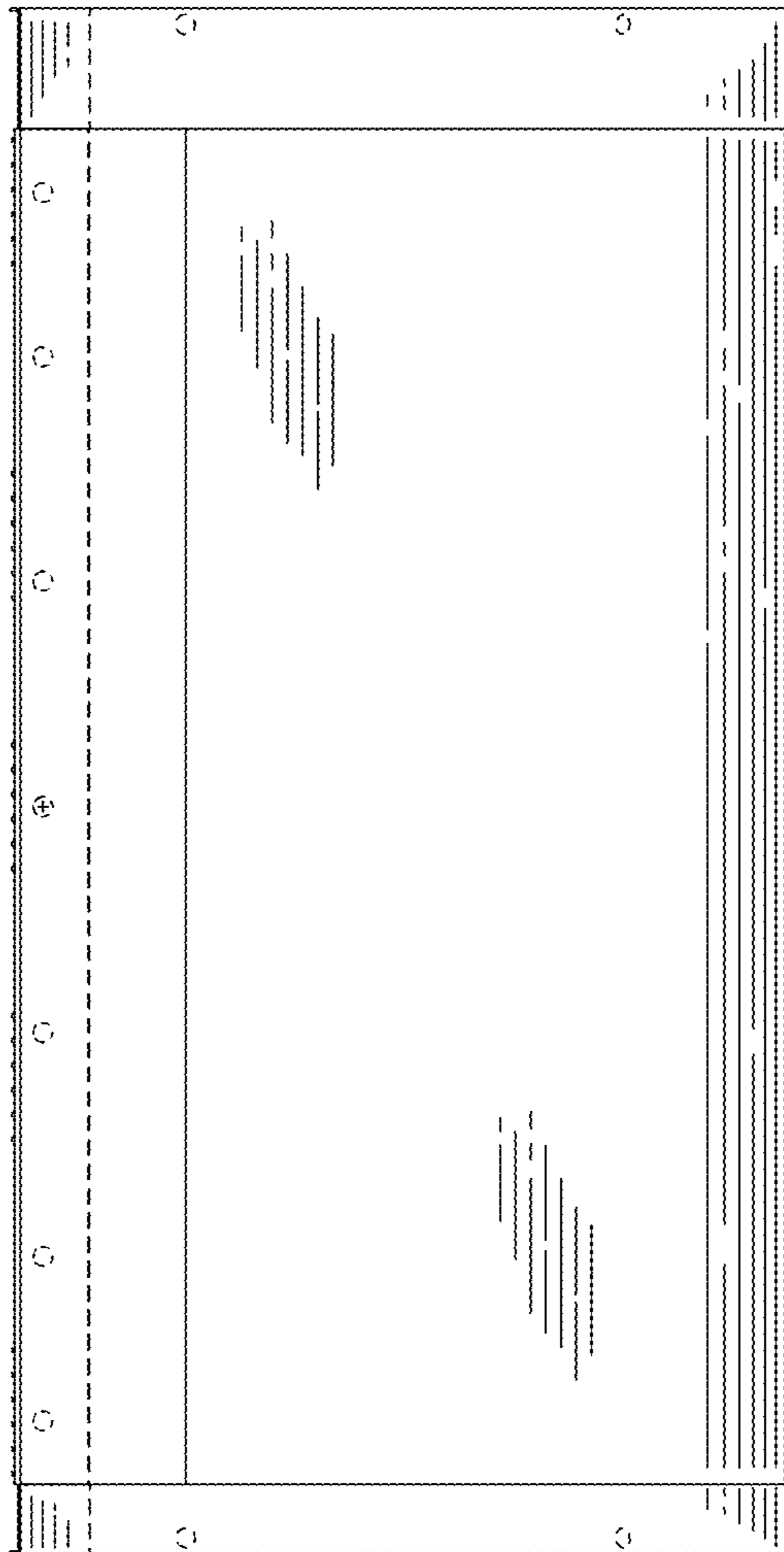


FIG. 5

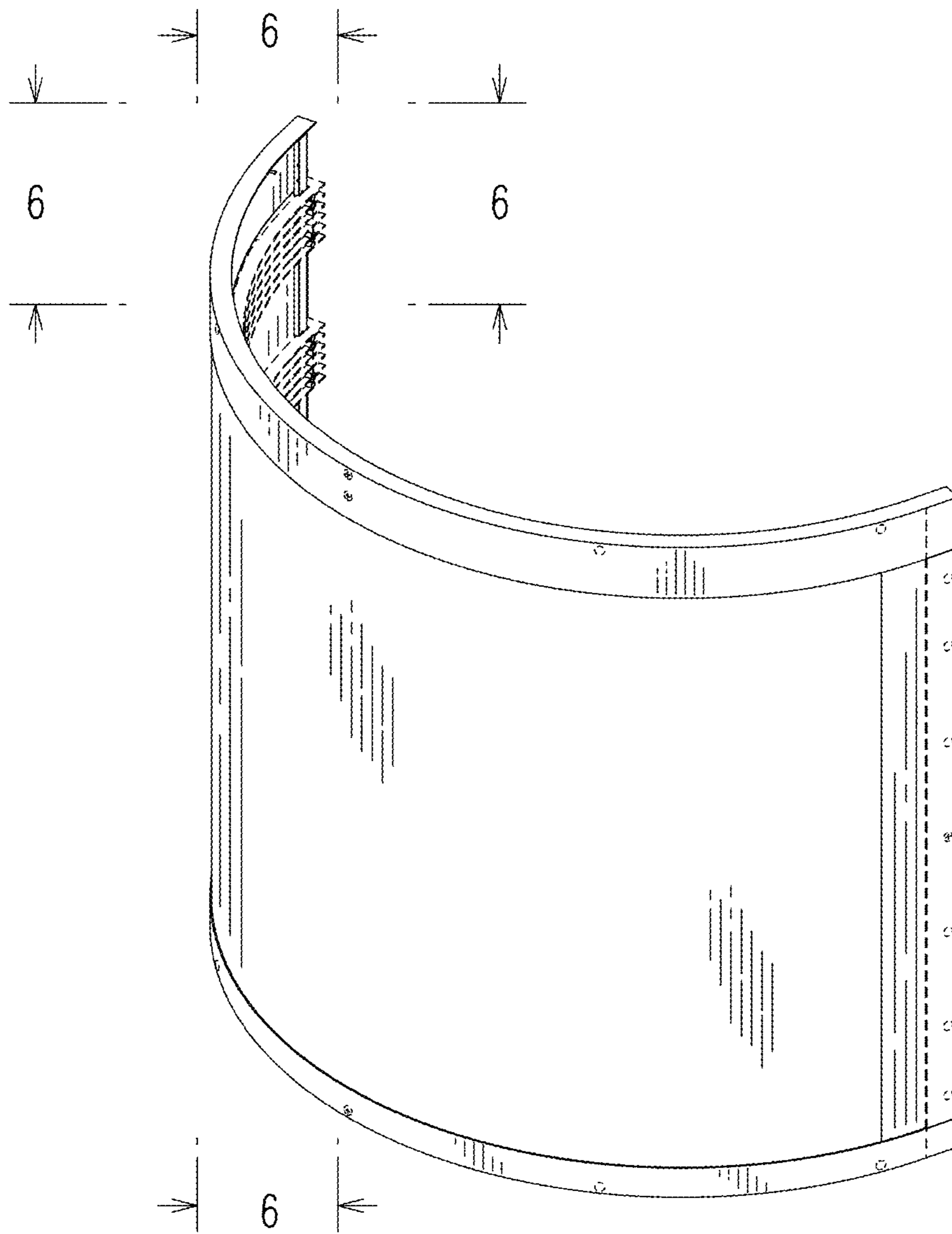


FIG. 6

