



US00D823853S

(12) **United States Design Patent**  
**Yoshimoto et al.**

(10) **Patent No.:** **US D823,853 S**

(45) **Date of Patent:** **\*\* Jul. 24, 2018**

(54) **PORTABLE WRIST WEARABLE DEVICE**

(71) Applicant: **LG ELECTRONICS INC.**, Seoul (KR)

(72) Inventors: **Max Yoshimoto**, Sunnyvale, CA (US); **Christophe Koch**, Santa Cruz, CA (US); **Alberto Villarreal**, San Jose, CA (US); **Bernardo Nunez**, San Francisco, CA (US); **Vincent Claudepierre**, San Francisco, CA (US); **Hyunwoo Yoo**, Seoul (KR); **Seongjae Lim**, Seoul (KR); **Seala Park**, Seoul (KR)

(73) Assignee: **LG ELECTRONICS INC.**, Seoul (KR)

(\*\*) Term: **15 Years**

(21) Appl. No.: **29/593,243**

(22) Filed: **Feb. 7, 2017**

(51) **LOC (11) Cl.** ..... **14-02**

(52) **U.S. Cl.**  
USPC ..... **D14/344; D10/32**

(58) **Field of Classification Search**  
USPC ... D10/30-32, 38, 40, 41, 46, 70, 79, 106.5, D10/106.6, 106.92, 106.94, 114.6, 123, D10/125, 126, 128, 131; D11/1-4, 93, D11/94; D14/138, 144, 341, 344, 358, D14/485; D24/167, 169, 186, 187  
CPC ..... A61B 5/0022; A61B 5/02438  
See application file for complete search history.

(56) **References Cited**

**U.S. PATENT DOCUMENTS**

D678,081 S *	3/2013	Cabiddu	.....	D10/38
D732,981 S *	6/2015	Waecker	.....	D10/38
D750,068 S *	2/2016	Aumiller	.....	D10/38
D753,653 S *	4/2016	Aumiller	.....	D14/344
D767,566 S *	9/2016	Morgenroth	.....	D14/344

D773,318 S *	12/2016	Wong	.....	D10/32
D795,251 S *	8/2017	Mistry	.....	D14/344
D798,377 S *	9/2017	Horacek	.....	D17/99
D805,405 S *	12/2017	Henne	.....	D10/30
D805,406 S *	12/2017	Register	.....	D10/30
D806,070 S *	12/2017	Bang	.....	D14/344
D806,581 S *	1/2018	Register	.....	D10/30
D806,582 S *	1/2018	Register	.....	D10/30
2016/0235364 A1 *	8/2016	Yoshida	.....	A61B 5/681

(Continued)

**OTHER PUBLICATIONS**

LG Watch Style, posted on walmart.com, earliest reviewed Feb. 21, 2017, no production date available, [online], [site visited Jan. 30, 2018], Available from Internet, URL: <https://www.walmart.com/ip/LG-Watch-Style-Titan/951987519?> (Year: 2017).\*

(Continued)

*Primary Examiner* — Melanie H Tung

*Assistant Examiner* — Fritzgerald L Butac

(74) *Attorney, Agent, or Firm* — Birch, Stewart, Kolasch & Birch, LLP

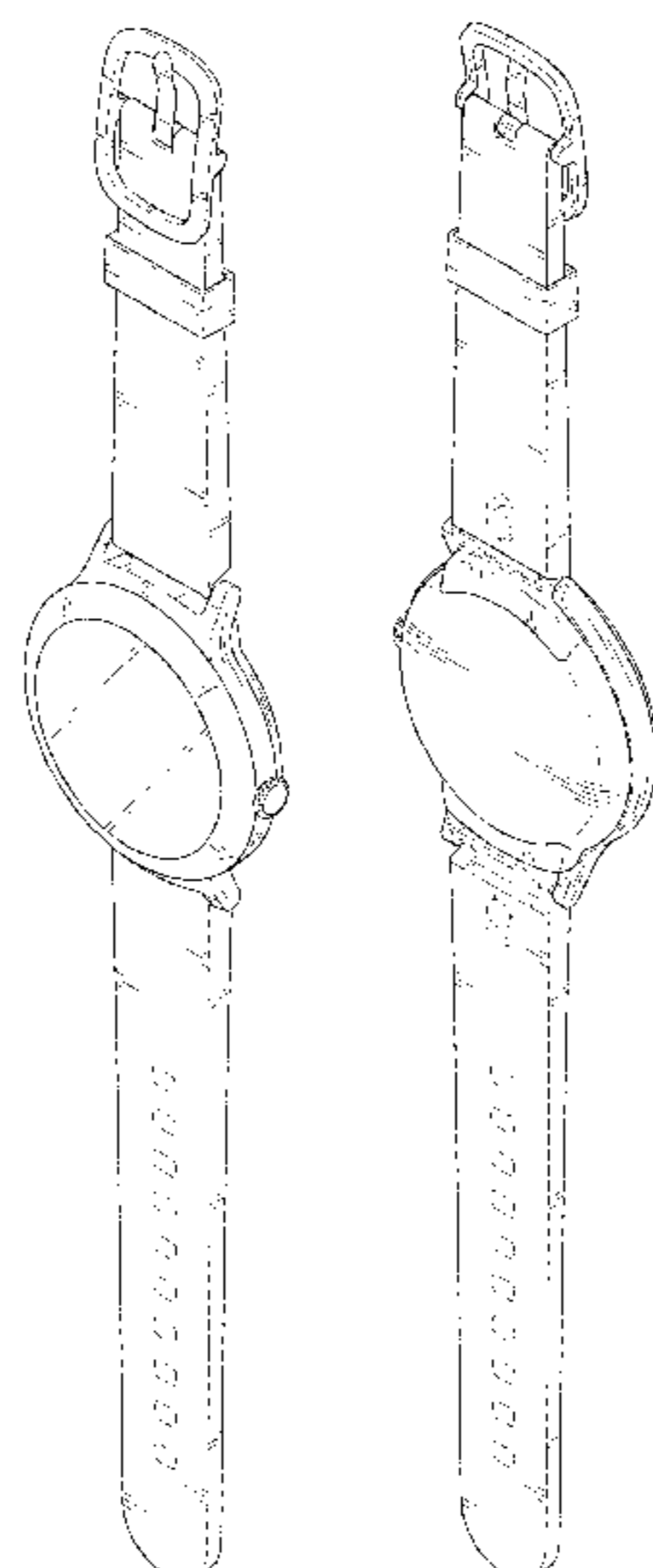
(57) **CLAIM**

The ornamental design for a portable wrist wearable device, as shown and described.

**DESCRIPTION**

FIG. 1 is a front perspective view of a portable wrist wearable device showing our new design; FIG. 2 is a front view thereof; FIG. 3 is a rear view thereof; FIG. 4 is a left side view thereof; FIG. 5 is a right side view thereof; FIG. 6 is a top plan view thereof; FIG. 7 is a bottom plan view thereof; and, FIG. 8 is a rear perspective view thereof. The broken lines depict portions of the portable wrist wearable device that form no part of the claimed design.

**1 Claim, 7 Drawing Sheets**



(56)

**References Cited**

## U.S. PATENT DOCUMENTS

2018/0000363 A1\* 1/2018 Pekonen ..... A61B 5/02427  
2018/0000418 A1\* 1/2018 Li ..... A61B 5/6844  
2018/0014785 A1\* 1/2018 Li ..... A61B 5/6844

## OTHER PUBLICATIONS

Motorola Moto 360, posted on amazon.com, earliest reviewed Oct. 16, 2015, no production date given, [online], [site visited Jan. 30, 2018], Available from Internet, URL: <https://www.amazon.com/Motorola-Moto-360-2nd-Gen/dp/B016CKGZJQ> (Year: 2015).\*

Samsung Gear S3 Classic, posted on amazon.com, earliest reviewed Nov. 7, 2016, no production date given, [online], [site visited Jan. 30, 2018], Available from Internet, URL: <https://www.amazon.com/Samsung-SM-R770NZSAXAR-Gear-53-Classic/dp/B01M1OXXT8> (Year: 2016).\*

““LG Watch Style” A part of the image has been leaked”, publication date: Jan. 28, 2017, <http://www.fnnews.com/news/201701281709105478>.

““The first product with Android wear 2.0 is LG’s Smart Watch” two types of model will be released on Feb. 9, 2017”, publication date: Jan. 18, 2017. <http://www.itworld.co.kr/news/103082>.

“LG will release two types of new product next month. Operating system for Google smart watch. Android wear 2.0 will be embeded”, publication date: Jan. 25, 2017, [http://www.dt.co.kr/contents.html?article\\_no=2017012602101231780001](http://www.dt.co.kr/contents.html?article_no=2017012602101231780001).

\* cited by examiner

FIG. 1

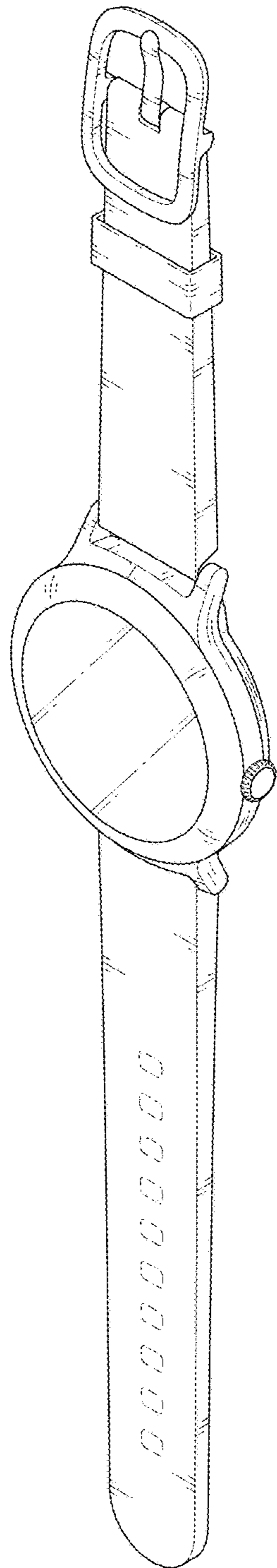


FIG. 2

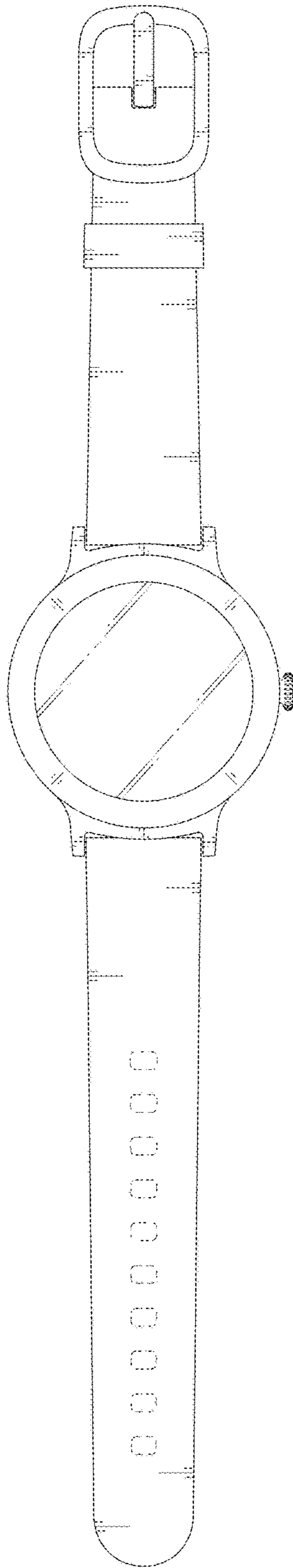


FIG. 3

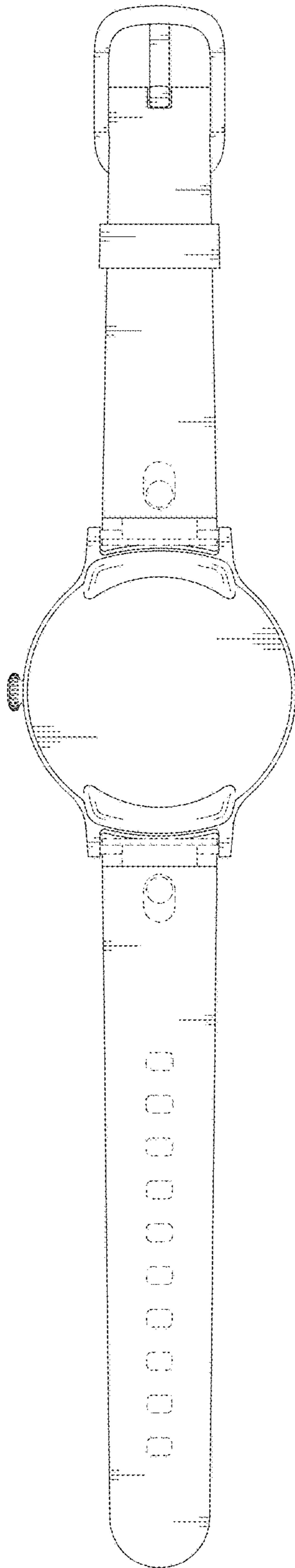


FIG. 4



FIG. 5



FIG. 6

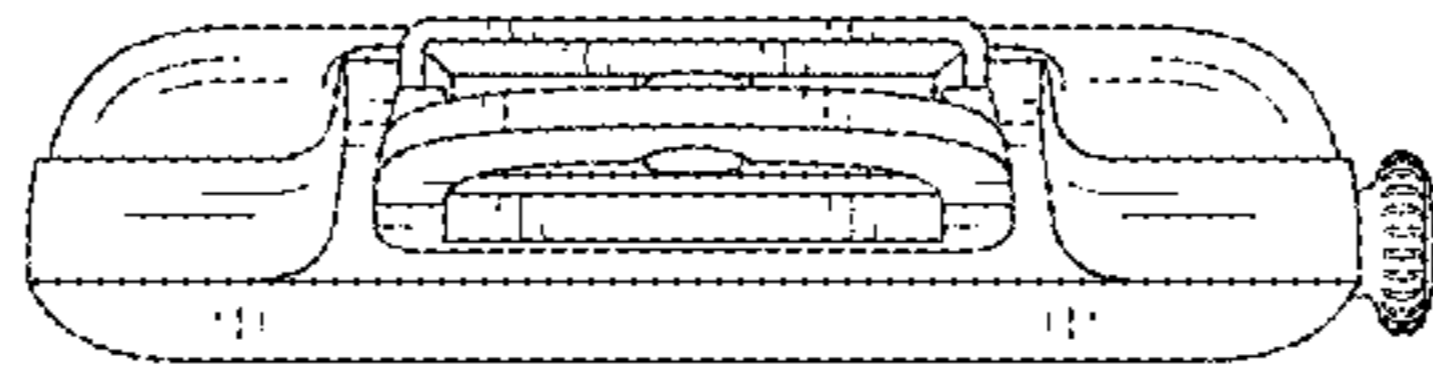


FIG. 7

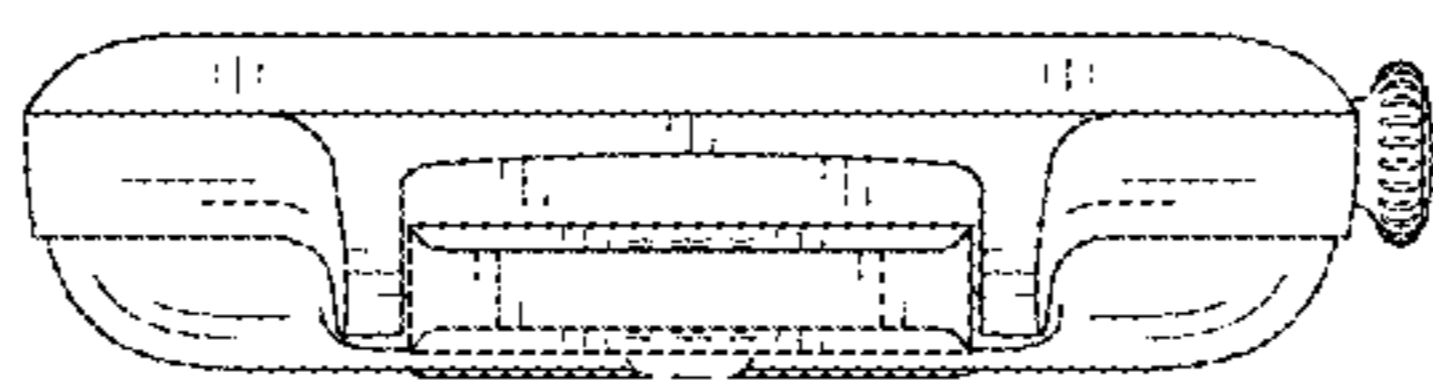




FIG. 8

