



US00D823850S

(12) **United States Design Patent**
Lim et al.

(10) **Patent No.:** **US D823,850 S**
(45) **Date of Patent:** **** Jul. 24, 2018**

(54) **LAPTOP COMPUTER**

6,346,935 B1 * 2/2002 Nakajima G06F 1/1616
345/173

(71) Applicant: **SAMSUNG ELECTRONICS CO., LTD.**, Suwon-si, Gyeonggi-do (KR)

D473,564 S 4/2003 Yano
D478,089 S * 8/2003 Yokota D14/399
D480,395 S * 10/2003 Lee D14/318
D577,012 S * 9/2008 Gralewski D14/315
D692,876 S 11/2013 Andre et al.
D706,768 S 6/2014 Kawai

(72) Inventors: **Hyuntaik Lim**, Surrey (GB); **Jusuek Lee**, Ansan-si (KR)

(73) Assignee: **SAMSUNG ELECTRONICS CO., LTD.**, Gyeonggi-Do (KR)

* cited by examiner

(**) Term: **15 Years**

Primary Examiner — Freda S Nunn

(21) Appl. No.: **29/615,644**

(74) *Attorney, Agent, or Firm* — Cantor Colburn LLP

(22) Filed: **Aug. 30, 2017**

(30) **Foreign Application Priority Data**

Apr. 12, 2017 (KR) 30-2017-0016895

(51) **LOC (11) Cl.** **14-02**

(52) **U.S. Cl.**
USPC **D14/318**

(58) **Field of Classification Search**

USPC D14/315–327; D18/1, 2, 7, 11;
235/145 A, 145 R; 341/22, 23; 345/104,
345/156, 168, 169, 173; 361/679.08,
361/679.09, 679.11, 679.26, 679.27
CPC G06F 1/16; G06F 1/1616; G06F 1/1626;
G06F 1/1632; G06F 1/1613; G06F
1/1601; G06F 1/1618; G06F 1/162; G06F
1/166; G06F 1/1654; G06F 1/1681; G06F
1/1637; G06F 1/1688; G06F 1/1656;
H01R 35/02; H03M 11/00; G09B 13/04;
H03K 17/94; G09G 5/00; F16M 11/10;
H05K 5/00; H04M 1/0237

See application file for complete search history.

(56) **References Cited**

U.S. PATENT DOCUMENTS

D410,442 S * 6/1999 Goodner D14/318
D449,307 S * 10/2001 Amano D14/318

(57) **CLAIM**

The ornamental design for a laptop computer, as shown and described.

DESCRIPTION

FIG. 1 is a top right front perspective view of a laptop computer, showing our new design;
FIG. 2 is a front view thereof;
FIG. 3 is a rear view thereof;
FIG. 4 is a left side view thereof;
FIG. 5 is a right side view thereof;
FIG. 6 is a top plan view thereof;
FIG. 7 is a bottom view thereof;
FIG. 8 is an enlarged view of the claimed portion thereof shown in FIG. 1; and,
FIG. 9 is an enlarged top left front perspective view of the claimed portion thereof.
The short dash-dash broken lines illustrating portions of the laptop computer form no part of the claimed design.
The dot-dash broken lines in the figures represent the boundary of the claimed design and form no part of the claimed design.

1 Claim, 9 Drawing Sheets

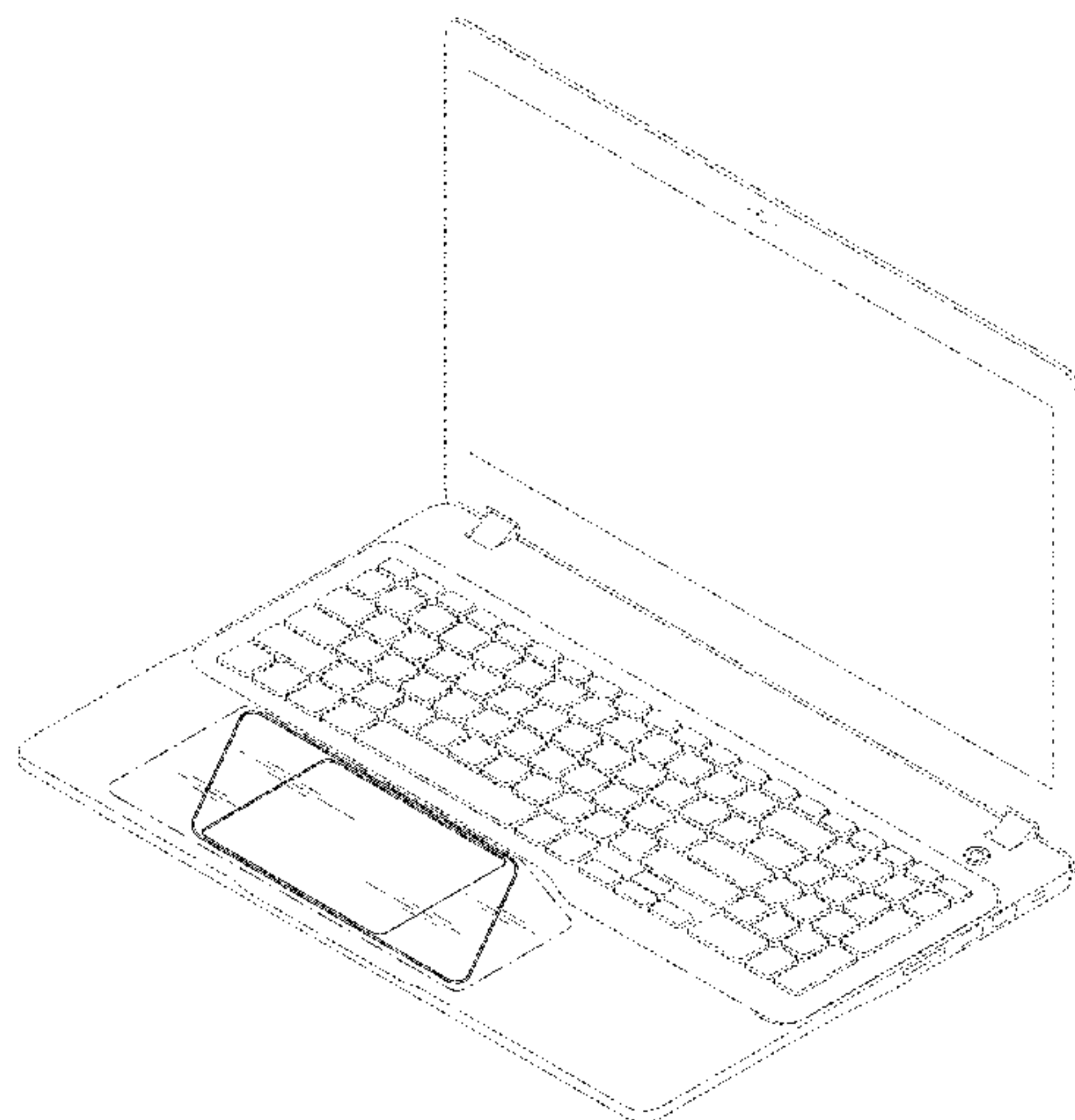


FIG. 1

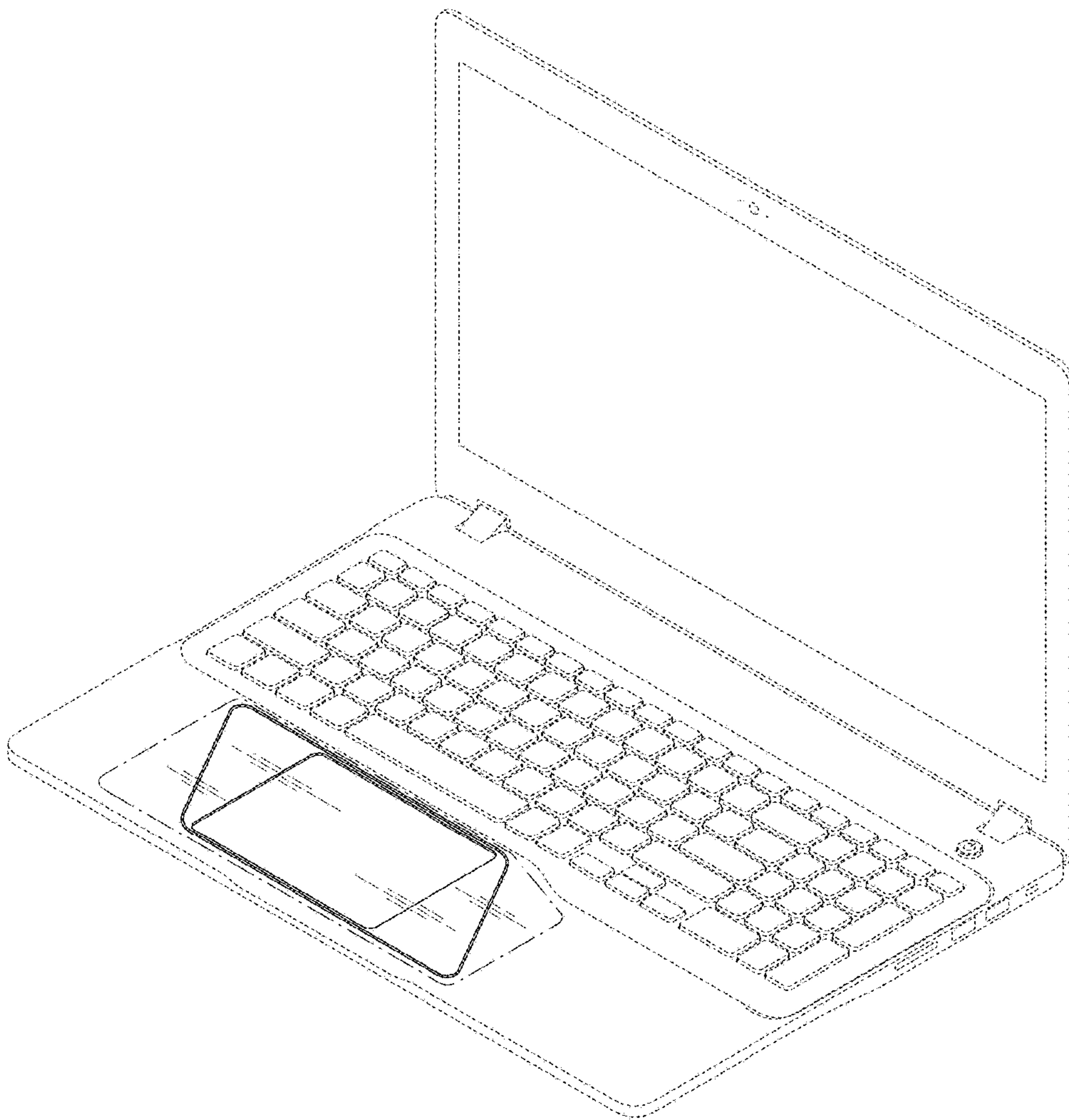


FIG. 2



FIG. 3

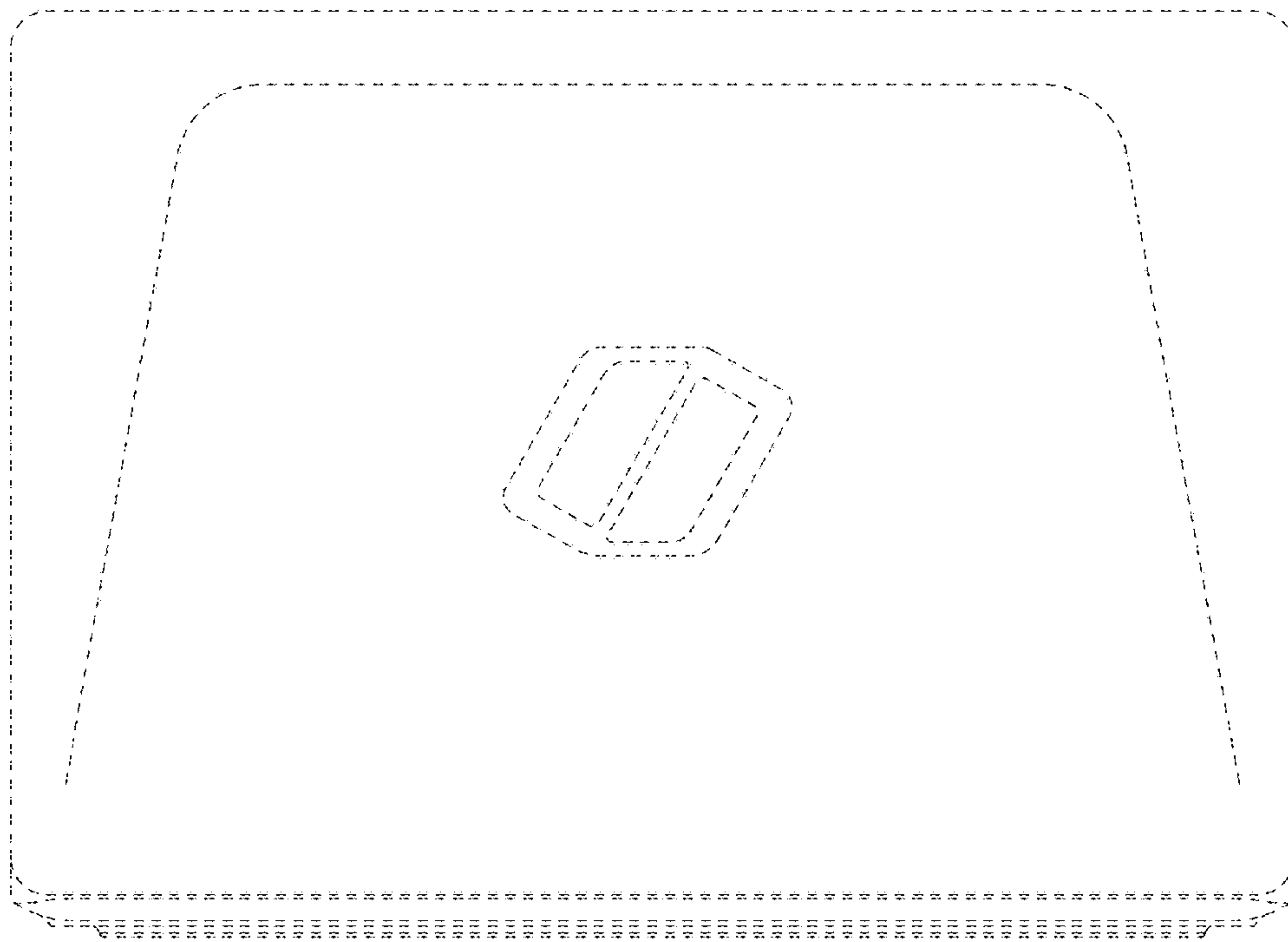


FIG. 4



FIG. 5

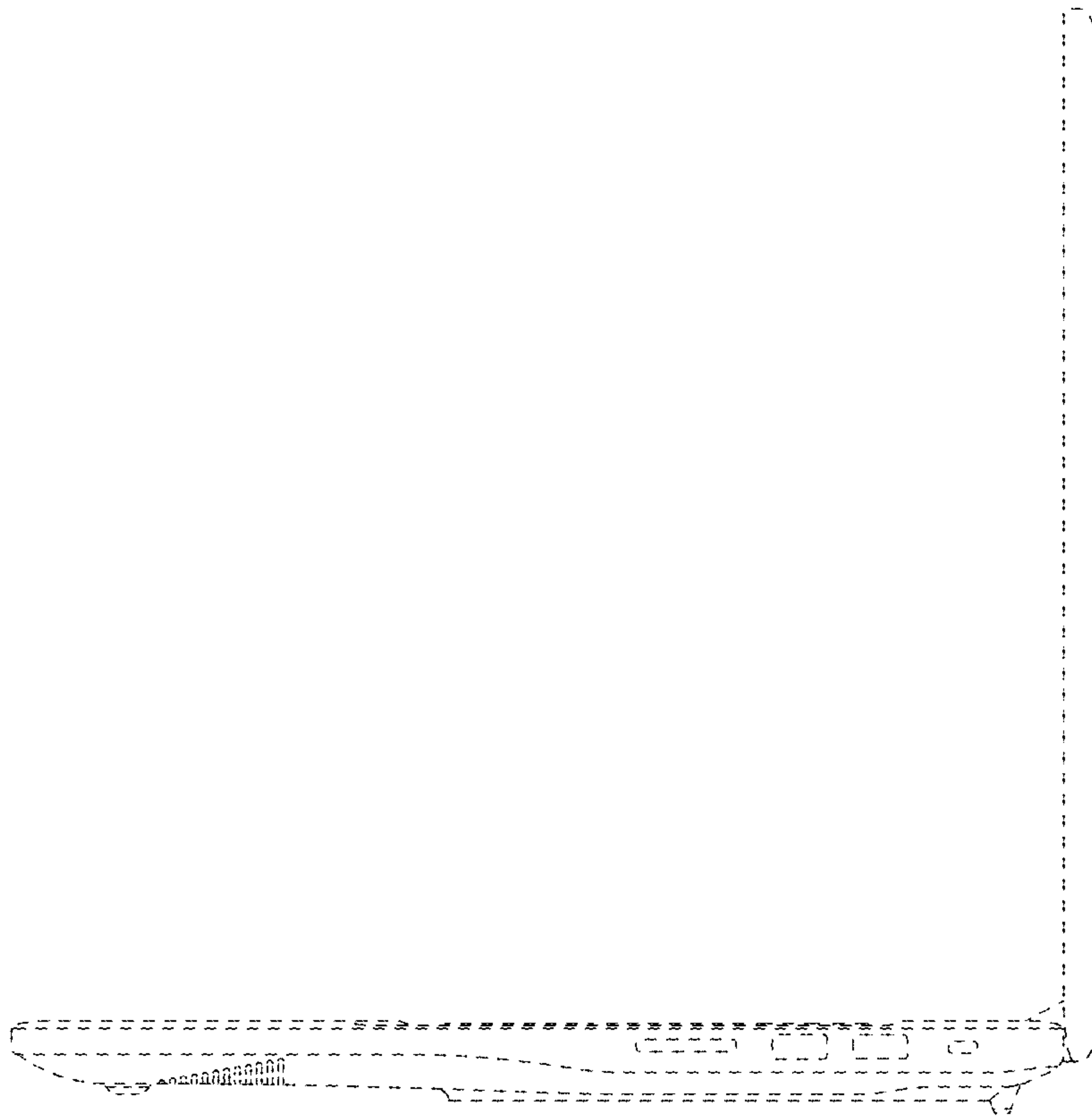


FIG. 6

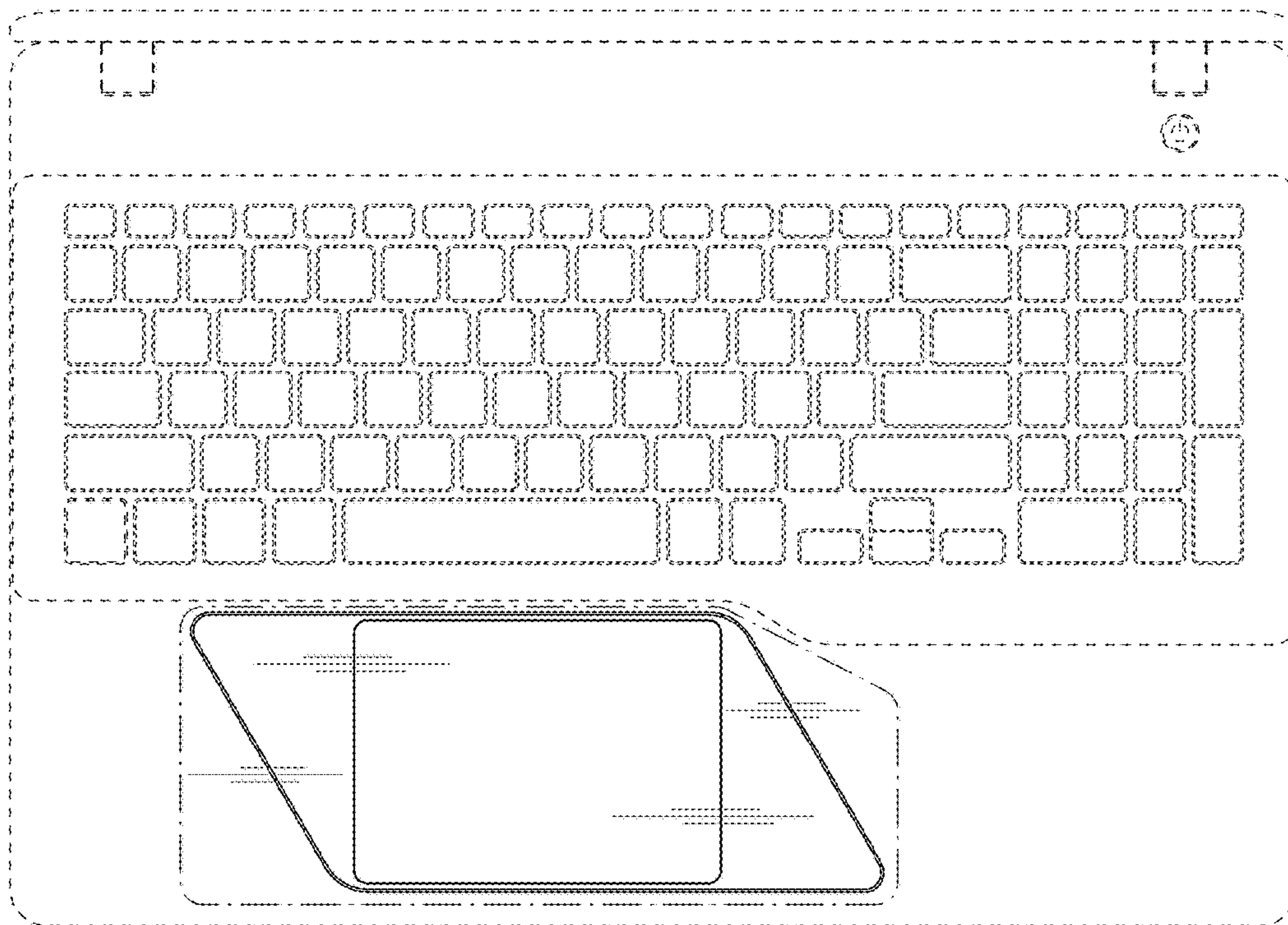


FIG. 7

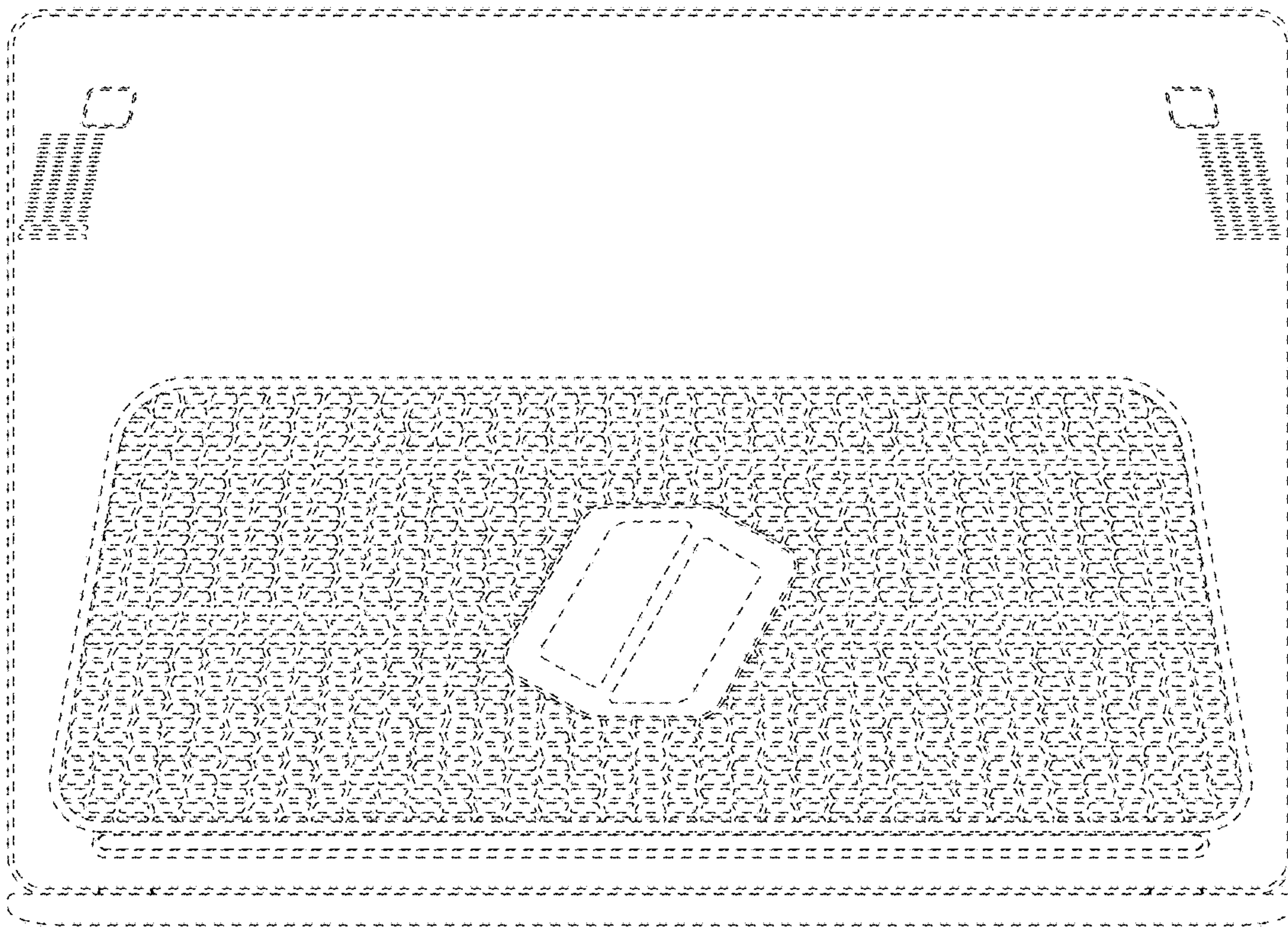


FIG. 8

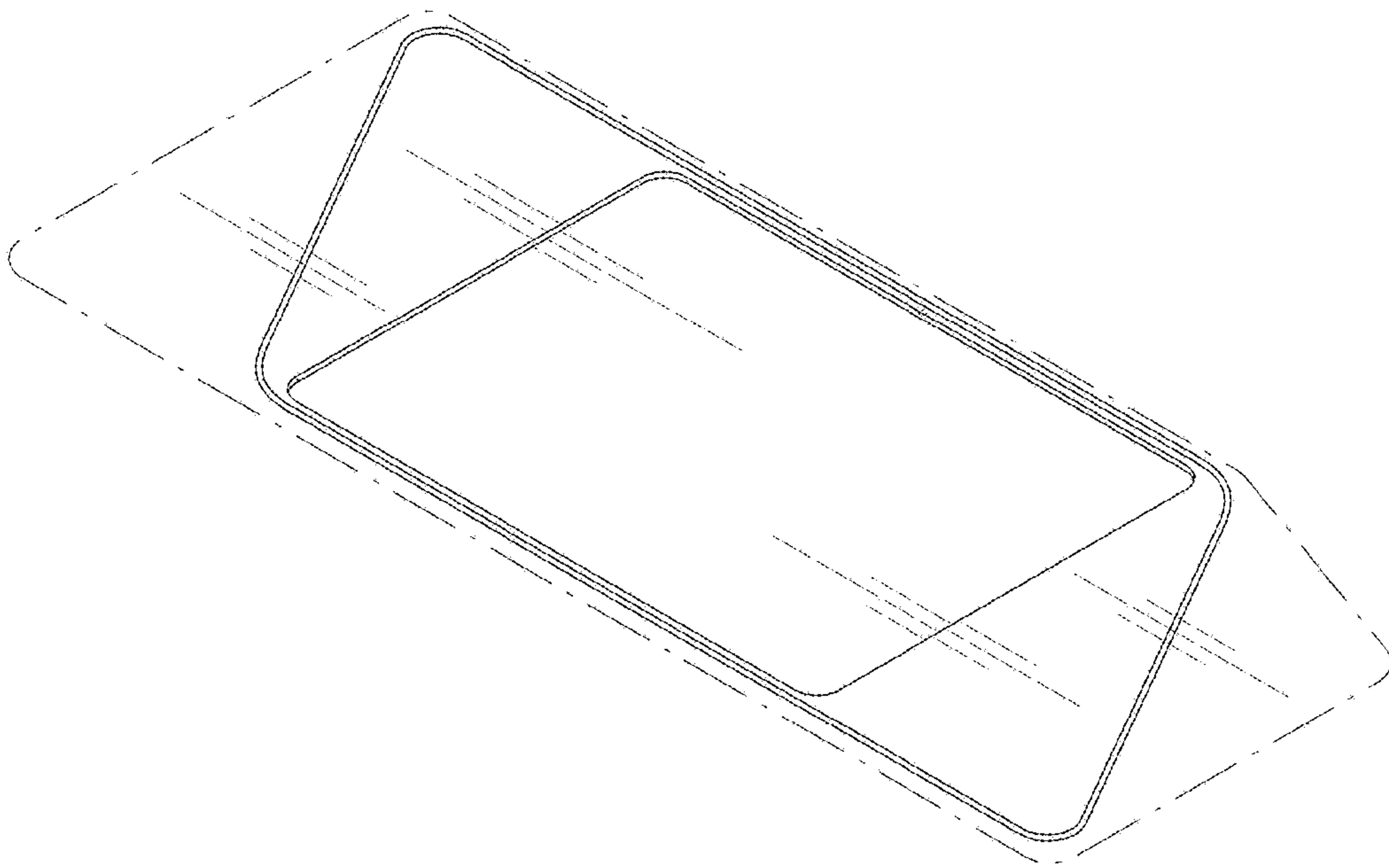


FIG. 9

