



US00D823848S

(12) **United States Design Patent**  
**Katsuno**

(10) **Patent No.:** **US D823,848 S**

(45) **Date of Patent:** **\*\* Jul. 24, 2018**

(54) **IN-VEHICLE DIGITAL AUDIO PLAYER**

(71) Applicant: **CLARION CO., LTD.**, Saitama-shi,  
Saitama (JP)

(72) Inventor: **Keita Katsuno**, Tokyo (JP)

(73) Assignee: **CLARION CO., LTD.**, Saitama (JP)

(\*\*) Term: **15 Years**

(21) Appl. No.: **29/605,276**

(22) Filed: **May 24, 2017**

(30) **Foreign Application Priority Data**

Nov. 30, 2016 (JP) ..... 2016-025948

(51) **LOC (11) Cl.** ..... **14-03**

(52) **U.S. Cl.**  
USPC ..... **D14/258**

(58) **Field of Classification Search**  
USPC ..... D12/192, 195, 415, 420; D14/154, 157,  
D14/168-171, 188-198, 257-258;  
248/27.1, 27.3, 558; 455/347, 350  
CPC ..... B60R 11/02; B60K 37/04; B60K 37/06;  
B60K 35/00; H04B 1/08; H04B 1/082  
See application file for complete search history.

(56) **References Cited**

**U.S. PATENT DOCUMENTS**

D532,006 S	*	11/2006	Kim	.....	D14/258
D565,043 S	*	3/2008	Shiono	.....	D14/258
D567,812 S	*	4/2008	Kimura	.....	D14/258
D582,911 S	*	12/2008	Kimura	.....	D14/258
D602,928 S	*	10/2009	Kimura	.....	D14/157
D604,287 S	*	11/2009	Kimura	.....	D14/157
D610,162 S	*	2/2010	Shiono	.....	D14/257

D671,906 S	*	12/2012	Kimura	.....	D14/157
D672,331 S	*	12/2012	Kanou	.....	D14/157
D672,743 S	*	12/2012	Suzuki	.....	D14/157
D680,094 S	*	4/2013	Kanou	.....	D14/157
D704,694 S	*	5/2014	Takahashi	.....	D14/258
D704,695 S	*	5/2014	Kanou	.....	D14/258
D704,696 S	*	5/2014	Kimura	.....	D14/258
D704,698 S	*	5/2014	Morikawa	.....	D14/258
D711,367 S	*	8/2014	Endo	.....	D14/258
D718,299 S	*	11/2014	Takahashi	.....	D14/188
D722,585 S	*	2/2015	Suzuki	.....	D14/157
D722,993 S	*	2/2015	Harada	.....	D14/157
D724,575 S	*	3/2015	Murakami	.....	D14/157
D743,928 S	*	11/2015	Endo	.....	D14/157
D775,119 S	*	12/2016	Kimura	.....	D14/258
D775,121 S	*	12/2016	Suzuki	.....	D14/258

\* cited by examiner

*Primary Examiner* — Sandra L Morris

(74) *Attorney, Agent, or Firm* — McDermott Will & Emery LLP

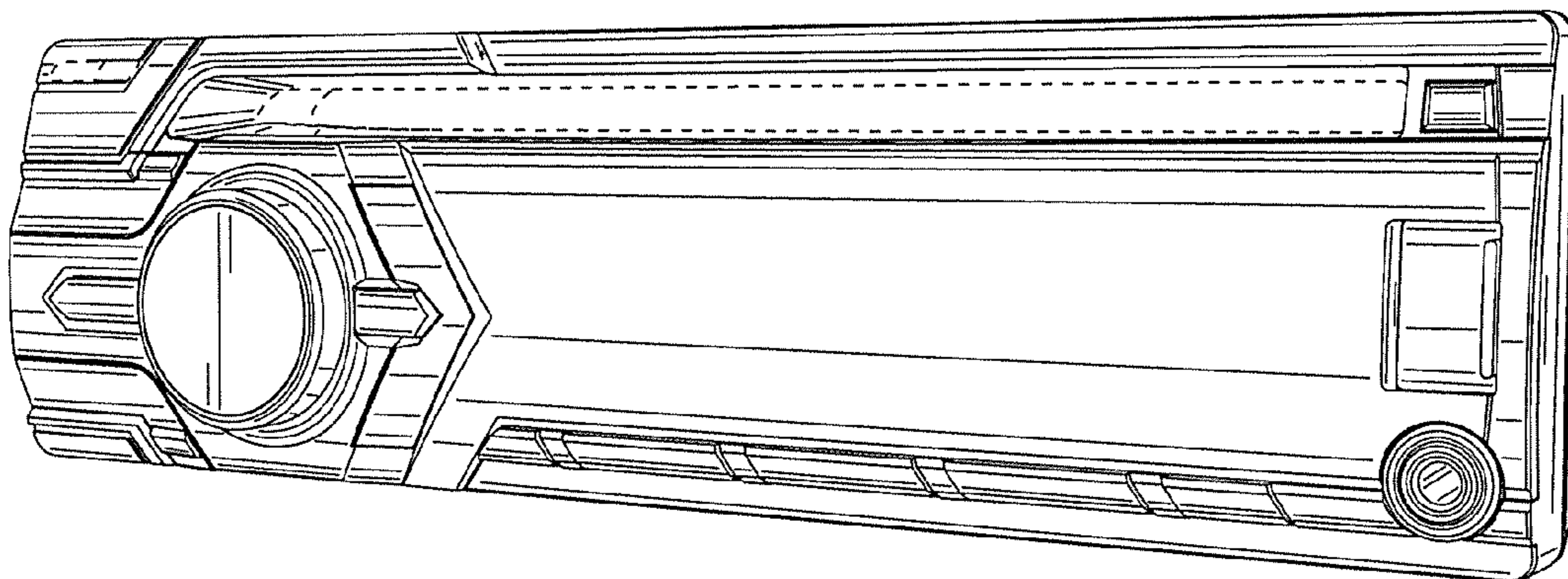
(57) **CLAIM**

The ornamental design for an in-vehicle digital audio player, as shown and described.

**DESCRIPTION**

FIG. 1 is a perspective view of an in-vehicle digital audio player showing my new design;  
FIG. 2 is a front view thereof;  
FIG. 3 is a rear view thereof;  
FIG. 4 is a left-side view thereof;  
FIG. 5 is a right-side view thereof;  
FIG. 6 is a top view thereof; and,  
FIG. 7 is a bottom view thereof.  
Broken lines shown in FIGS. 1 and 2 are for illustrative purposes only and form no part of the claimed design.

**1 Claim, 7 Drawing Sheets**



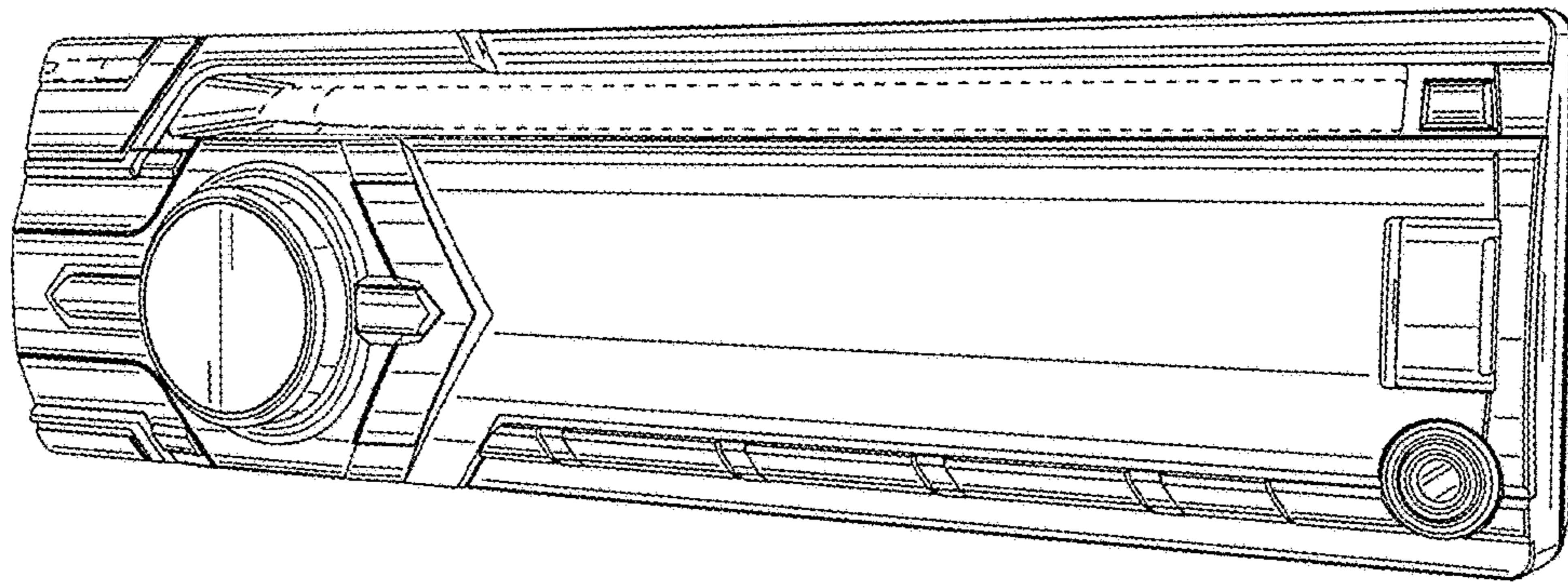


FIG. 1

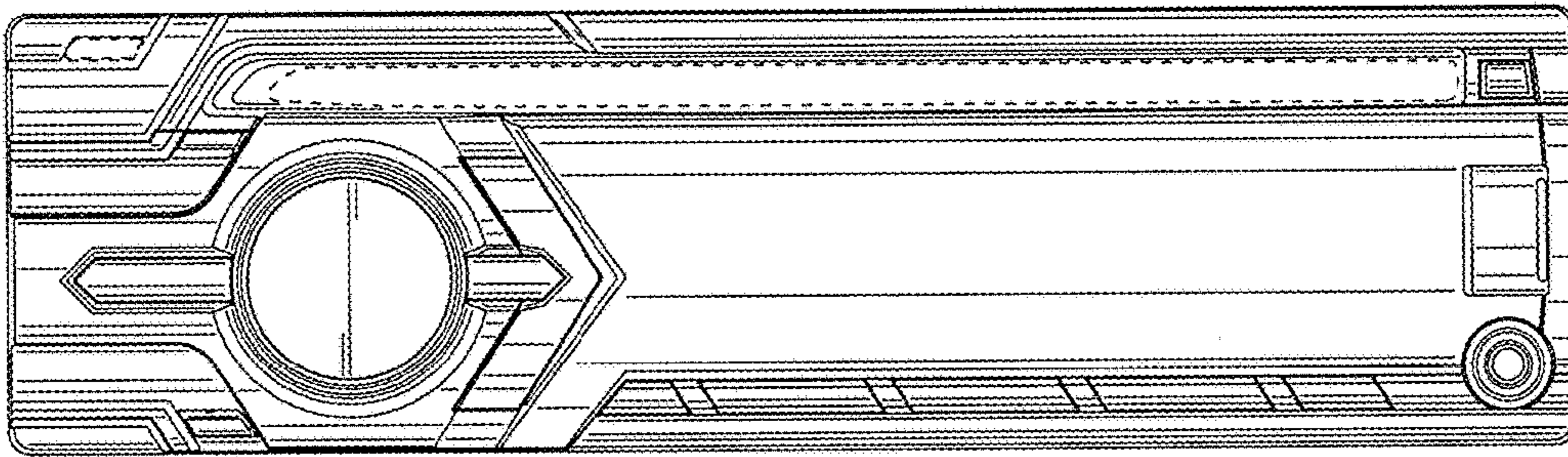


FIG. 2

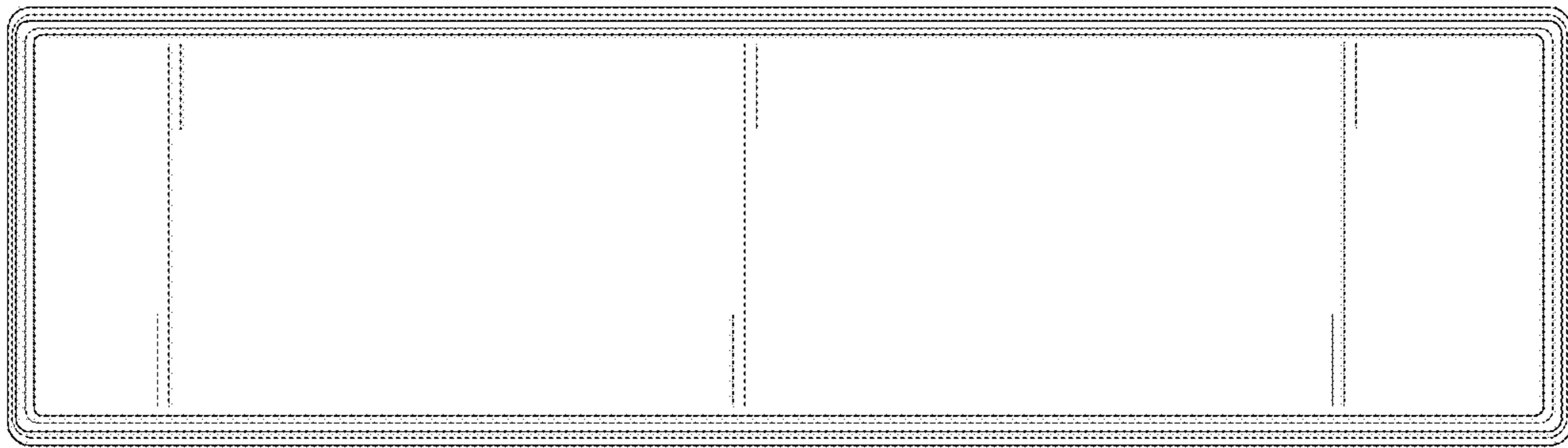


FIG. 3

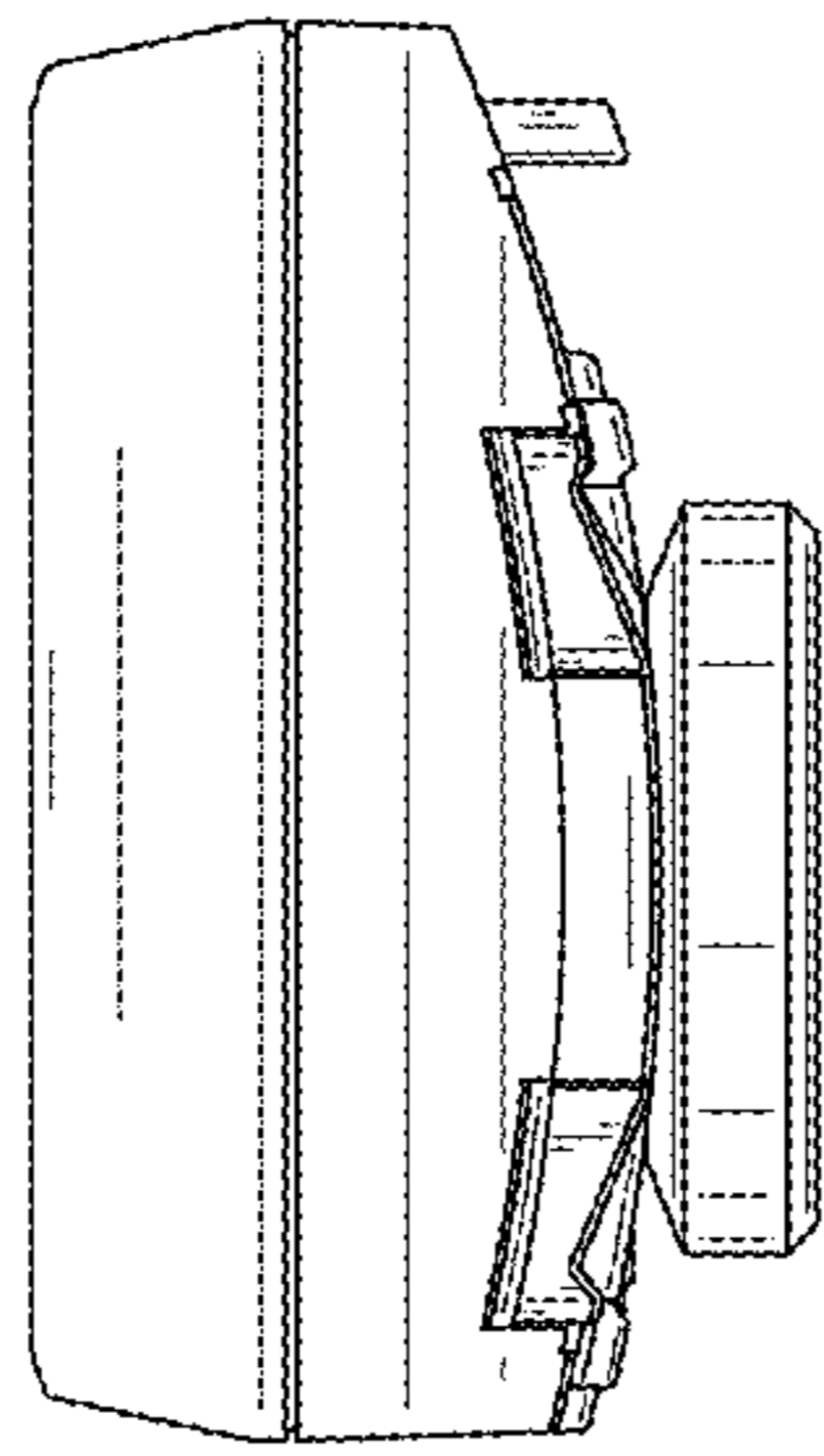


FIG. 4

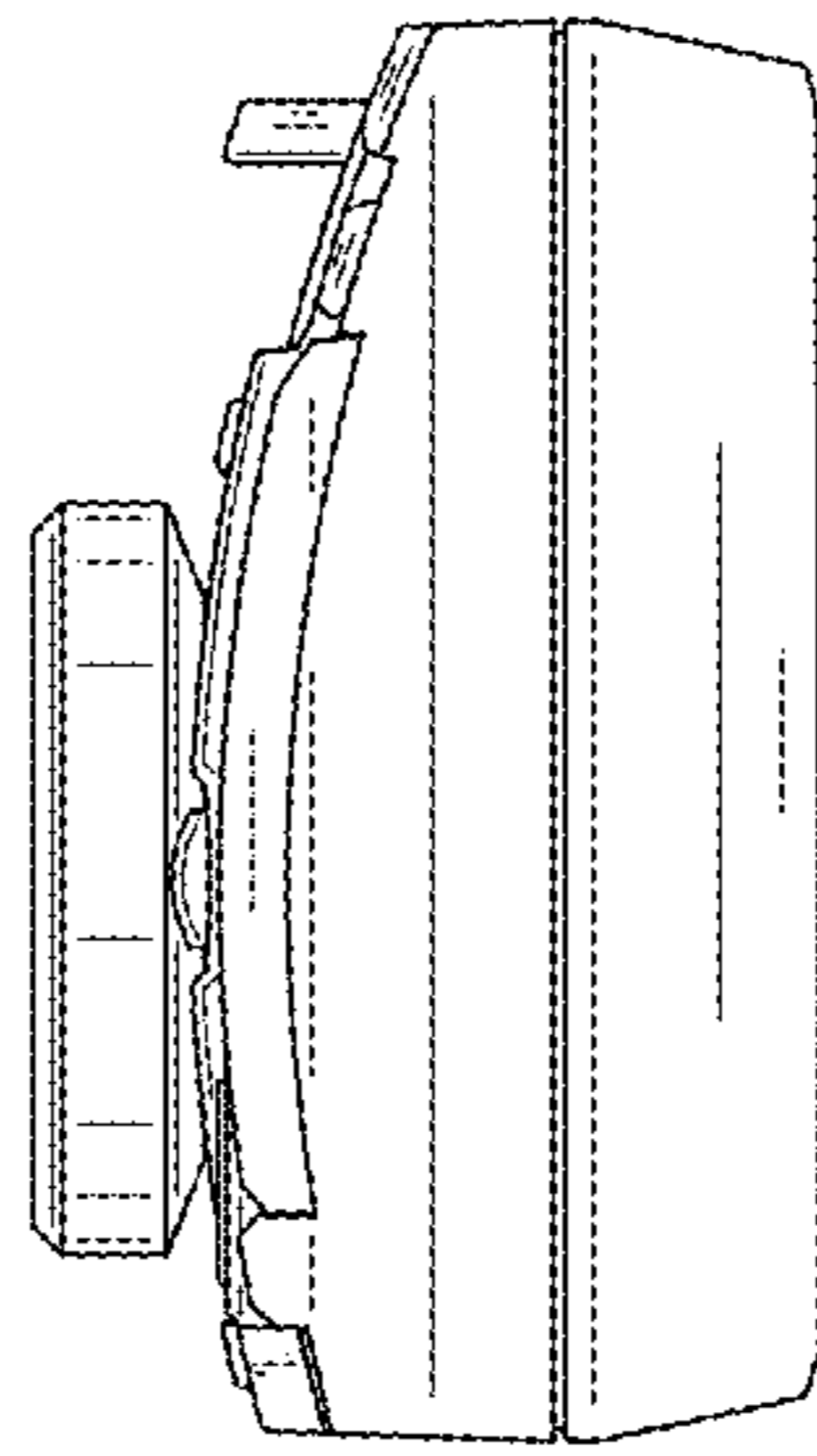


FIG. 5

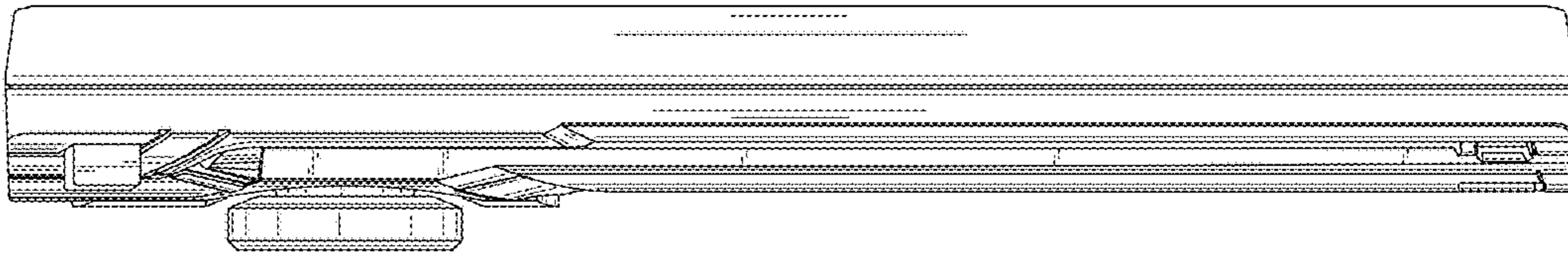


FIG. 6

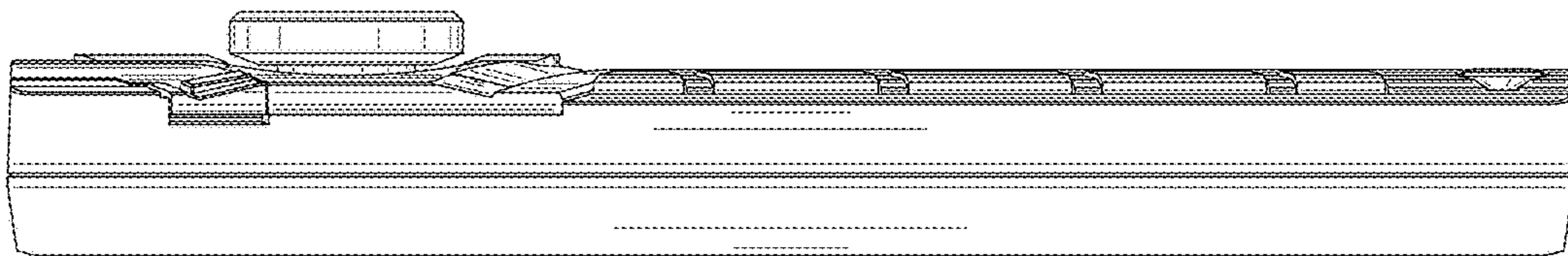


FIG. 7