



US00D823846S

(12) **United States Design Patent**
Chen

(10) **Patent No.:** **US D823,846 S**
(45) **Date of Patent:** **** Jul. 24, 2018**

(54) **MOBILE PHONE HOLDER**
(71) Applicants: **QUITO TECHNOLOGY CO., LTD.**,
Taipei (TW); **E-FILLIATE, INC.**,
Rancho Cordova, CA (US)
(72) Inventor: **Yin-Hung Chen**, Taipei (TW)
(73) Assignees: **QUITO TECHNOLOGY CO., LTD.**,
Taipei (TW); **E-FILLIATE, INC.**,
Rancho Cordova, CA (US)

D723,042 S * 2/2015 Lee D14/447
D765,651 S * 9/2016 Liu D14/253
D772,217 S * 11/2016 Alesi D14/253
D777,167 S * 1/2017 Wengreen D14/447
D799,466 S * 10/2017 Sukphist D14/253
D813,241 S * 3/2018 Wengreen D14/434
9,975,497 B2 * 5/2018 Kim B60R 11/0241
2014/0138419 A1 * 5/2014 Minn B60R 11/0241
224/567
2015/0162948 A1 * 6/2015 Restivo H04B 1/3888
455/575.8
2015/0212544 A1 * 7/2015 Chen G06F 1/1632
361/679.41
2016/0119458 A1 * 4/2016 Gunther H04M 1/04
248/316.5

(**) Term: **15 Years**

(21) Appl. No.: **29/581,482**

* cited by examiner

(22) Filed: **Oct. 19, 2016**

Primary Examiner — Cynthia R Underwood

(30) **Foreign Application Priority Data**

(74) *Attorney, Agent, or Firm* — Chun-Ming Shih; HDLS
IPR Services

Jul. 26, 2016 (TW) 105304277

(51) **LOC (11) Cl.** **14-03**

(52) **U.S. Cl.**
USPC **D14/251**

(58) **Field of Classification Search**
USPC D14/251, 240, 217, 447, 253; 224/558
See application file for complete search history.

(57) **CLAIM**

The ornamental design for a mobile phone holder, as shown
and described.

(56) **References Cited**

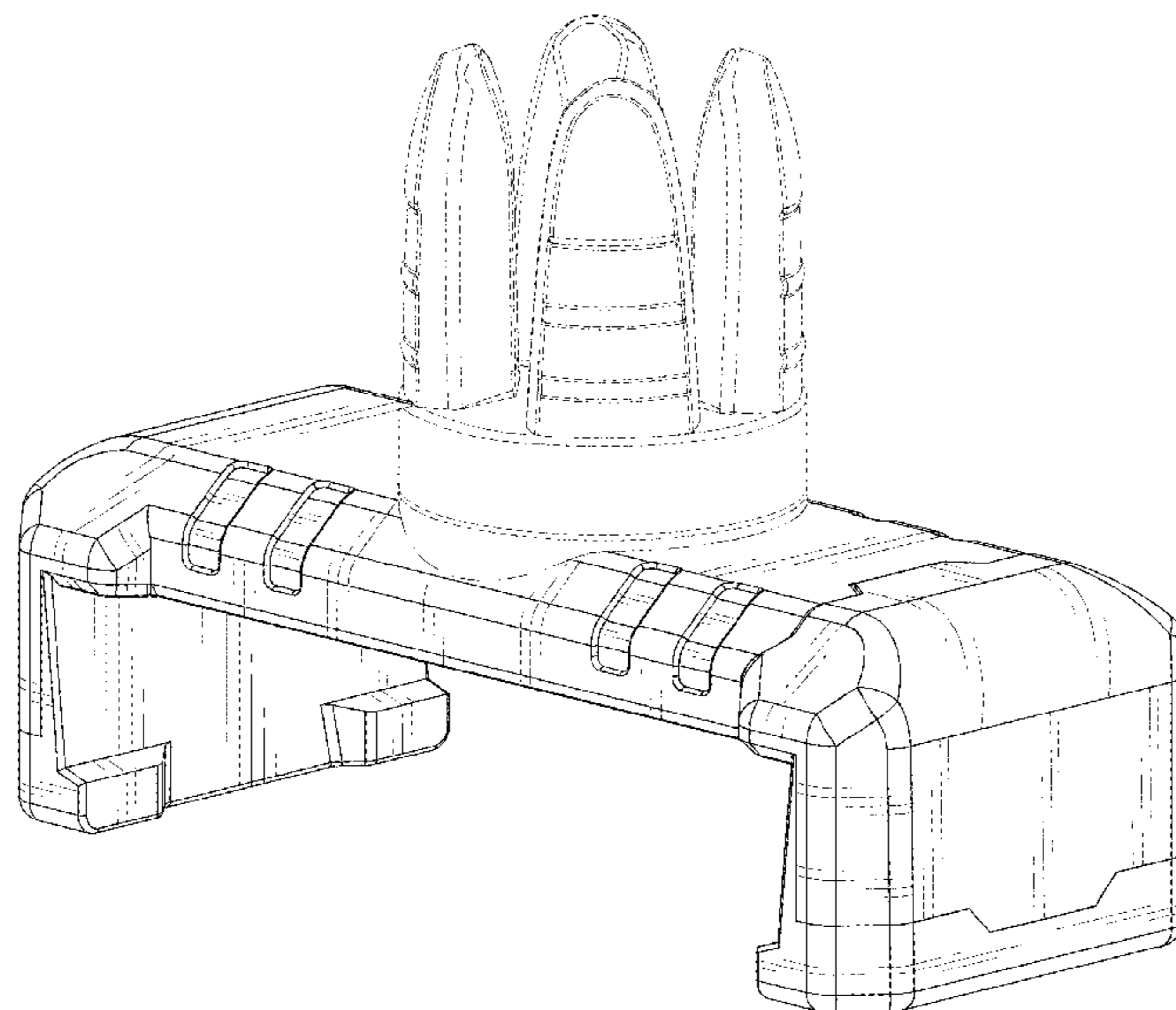
U.S. PATENT DOCUMENTS

6,073,901 A * 6/2000 Richter B60R 11/0241
224/558
8,083,198 B2 * 12/2011 Stabler F16M 11/16
211/184
D690,707 S * 10/2013 Minn B60R 11/0241
D14/447
8,893,939 B2 * 11/2014 Brass B60D 1/60
224/515
D720,759 S * 1/2015 Deng D14/447
D721,074 S * 1/2015 Harris D14/253

DESCRIPTION

FIG. 1 is a perspective view of a mobile phone holder
showing my new design;
FIG. 2 is a front view thereof;
FIG. 3 is a rear view thereof;
FIG. 4 is a left side view thereof;
FIG. 5 is a right side view thereof;
FIG. 6 is a top view thereof;
FIG. 7 is a bottom view thereof; and,
FIG. 8 is a perspective view showing the mobile phone
holder in use.
The broken lines shown represent unclaimed subject matter
and form no part of the claimed design.

1 Claim, 8 Drawing Sheets



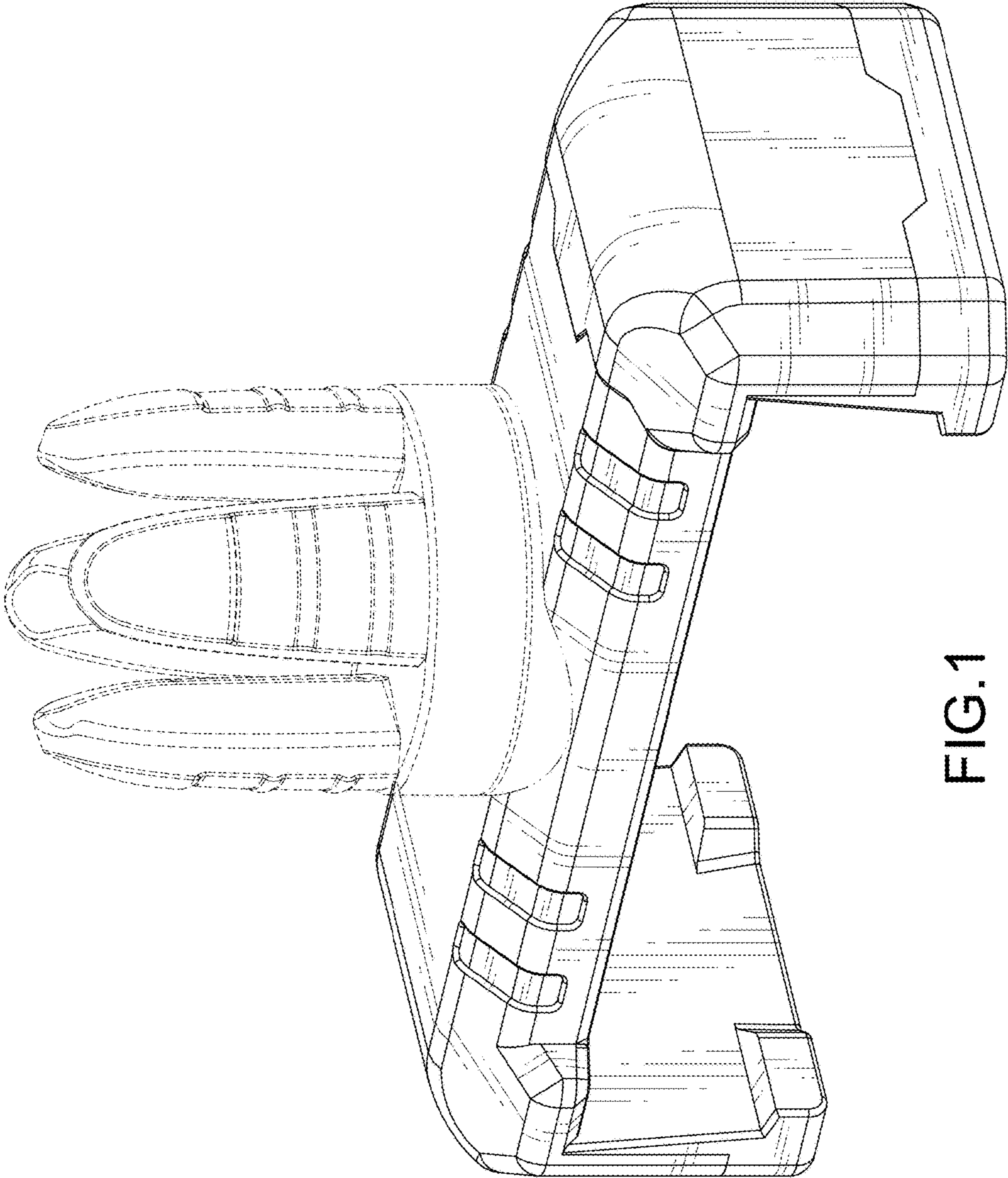


FIG.1

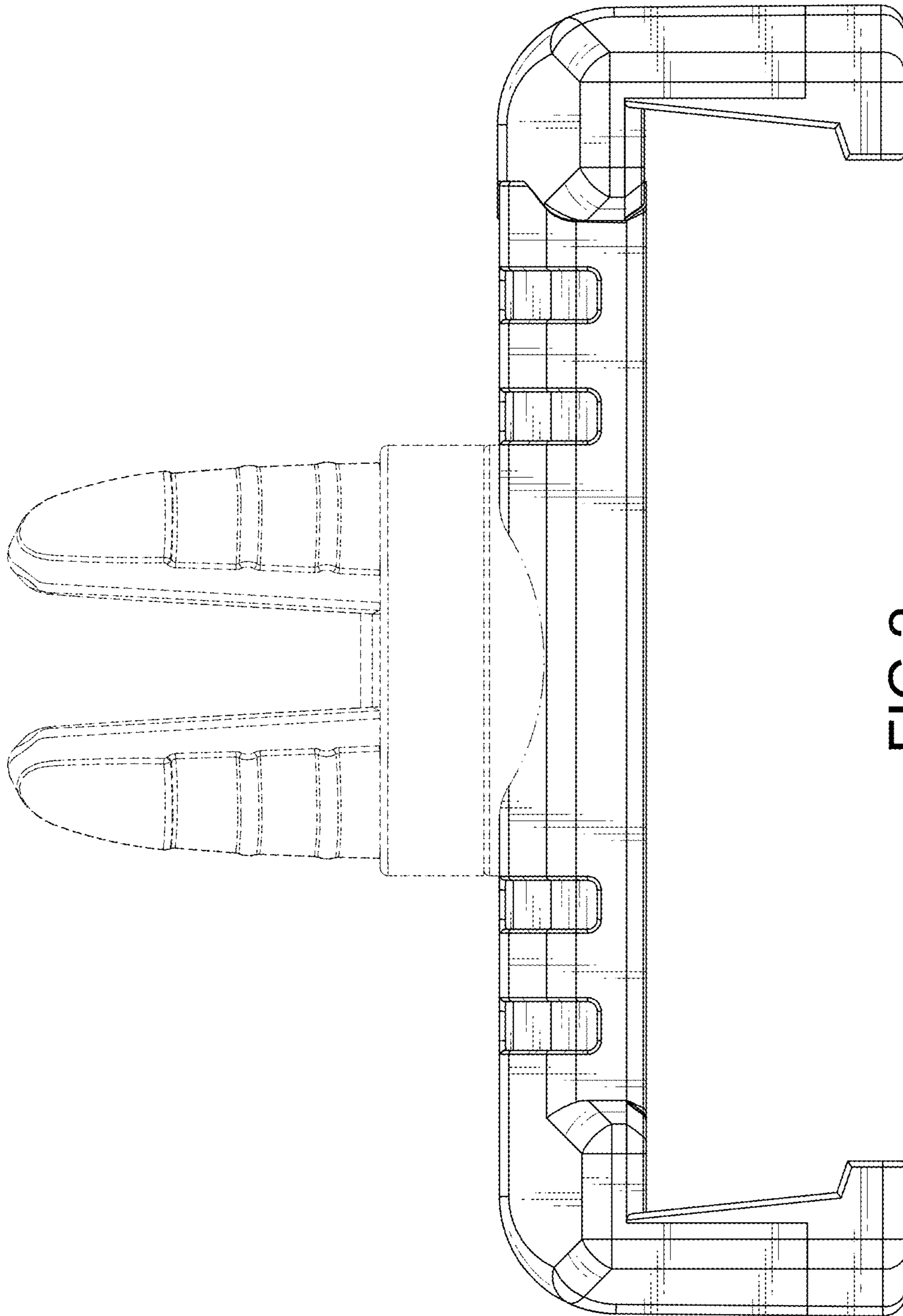


FIG.2

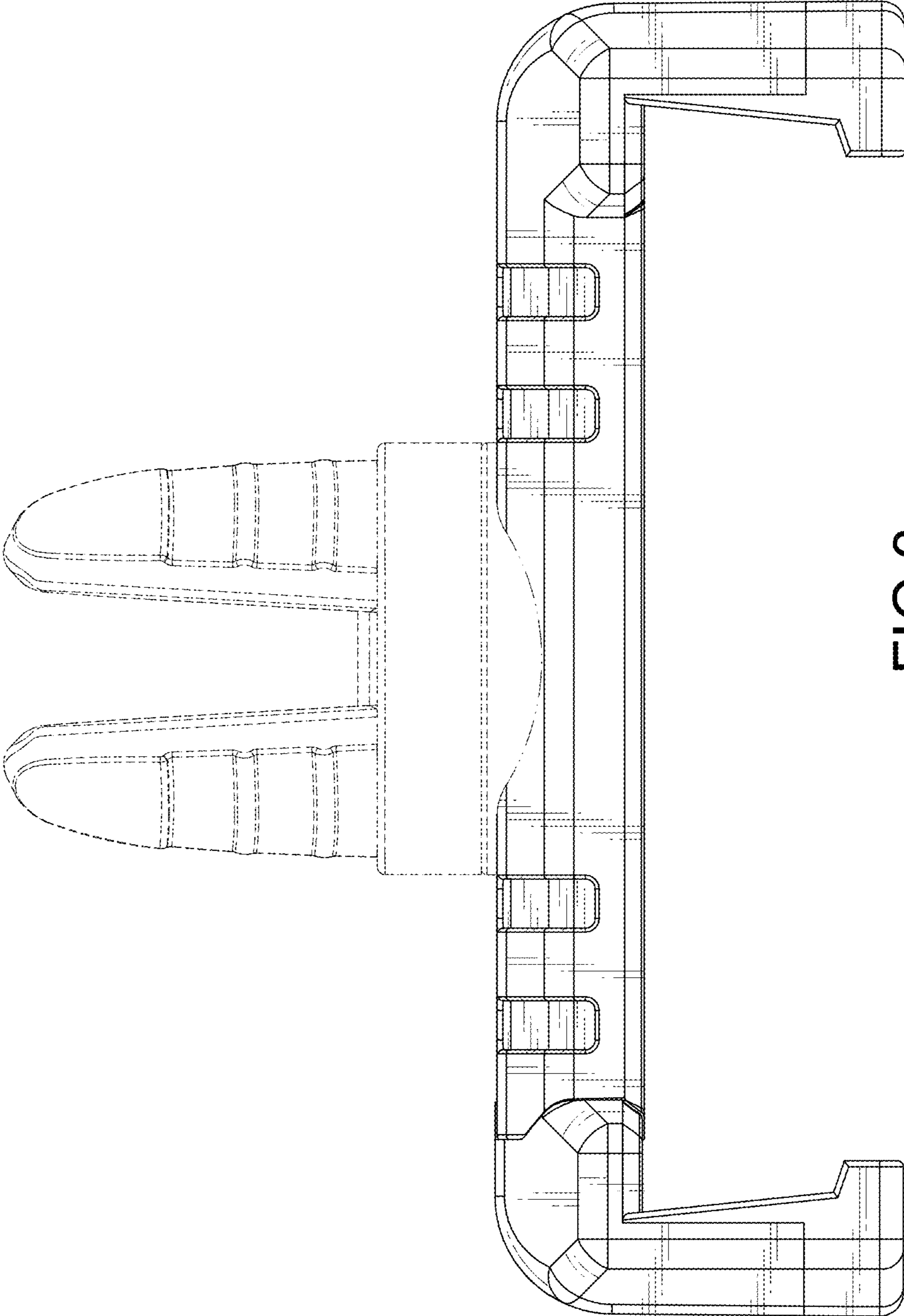


FIG.3

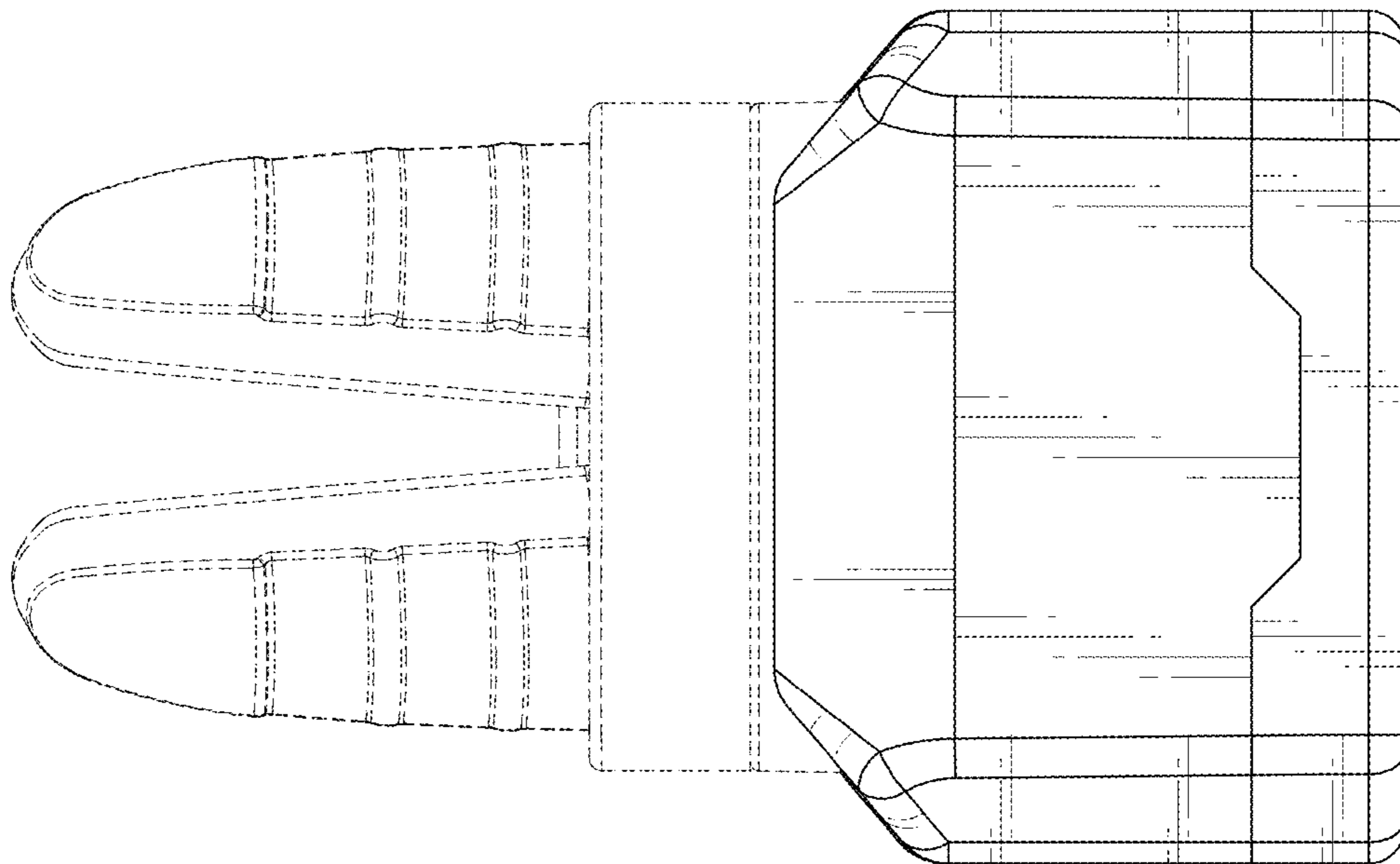


FIG.4

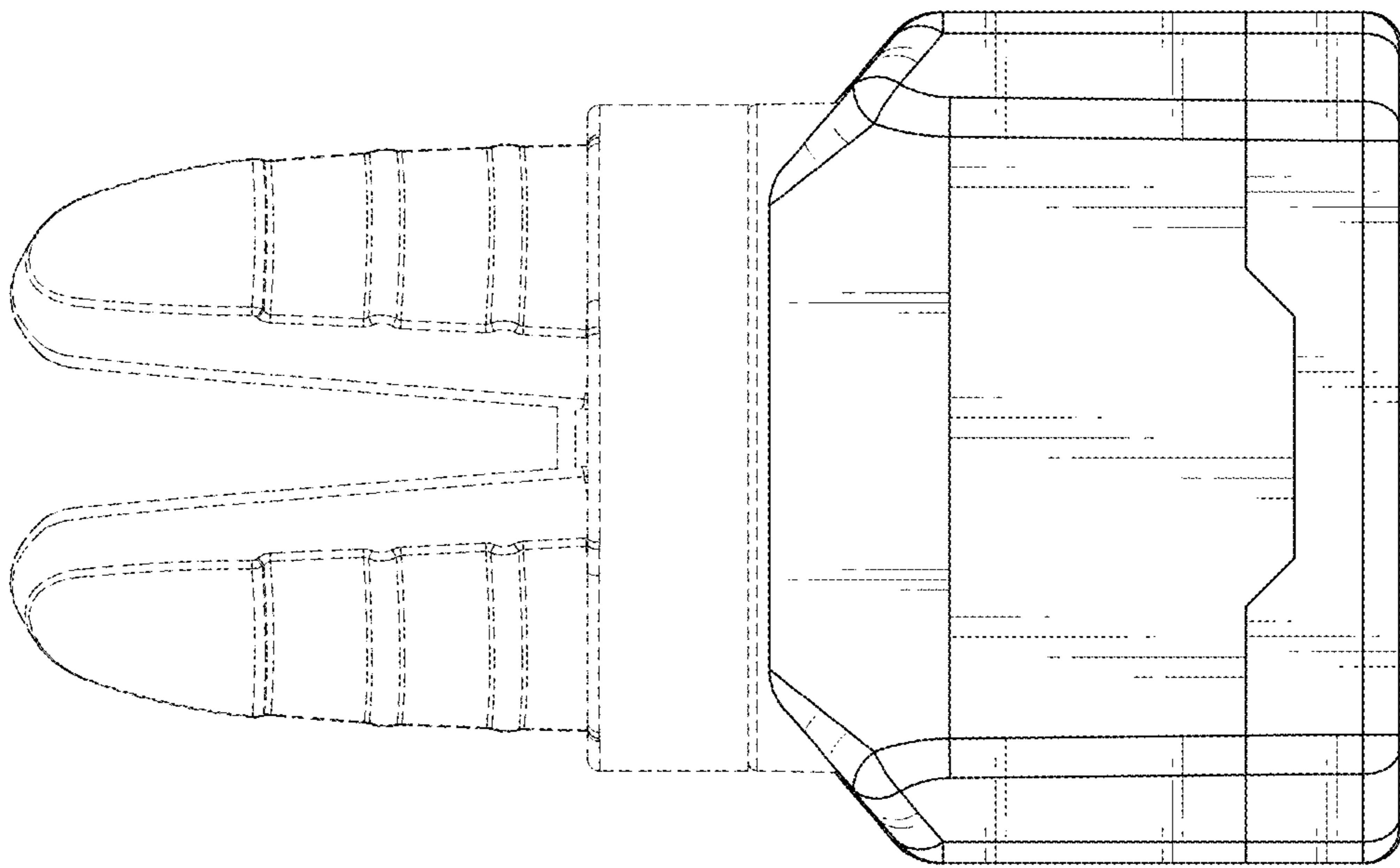


FIG.5

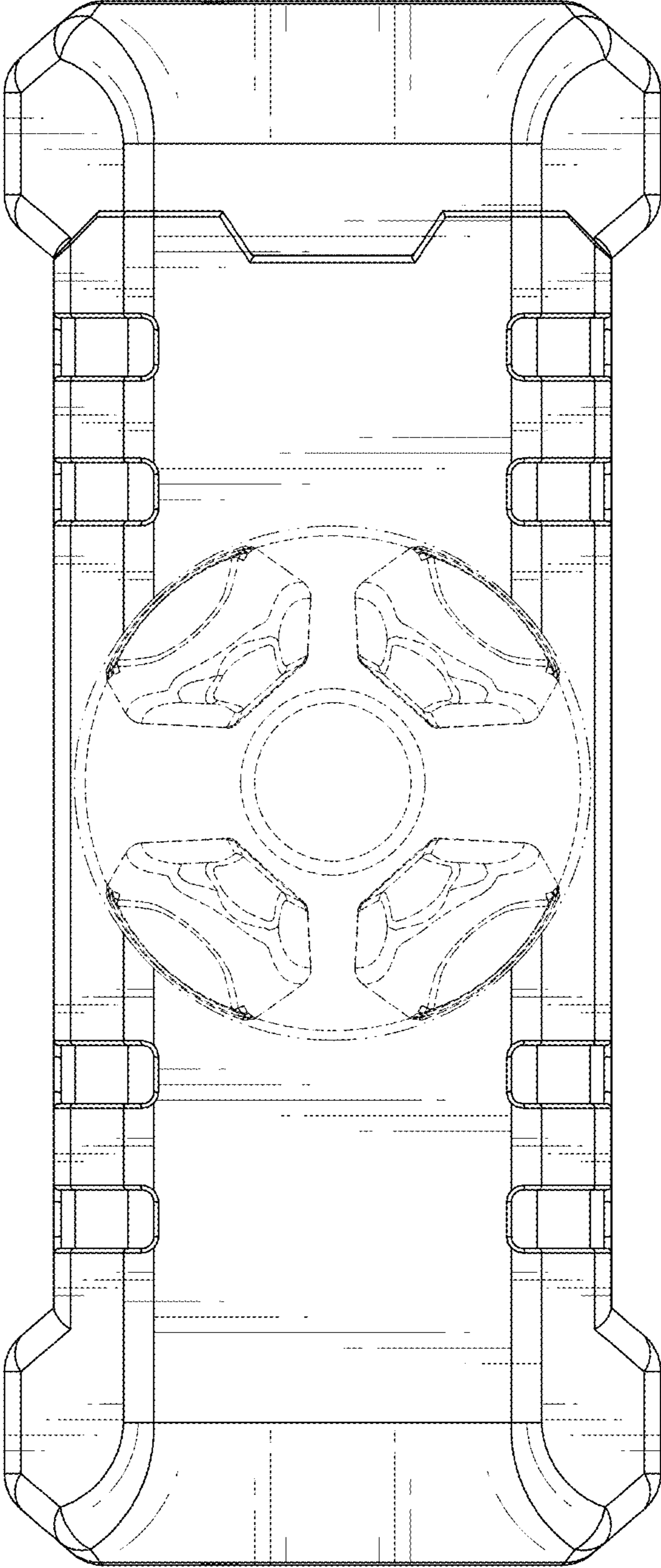


FIG.6

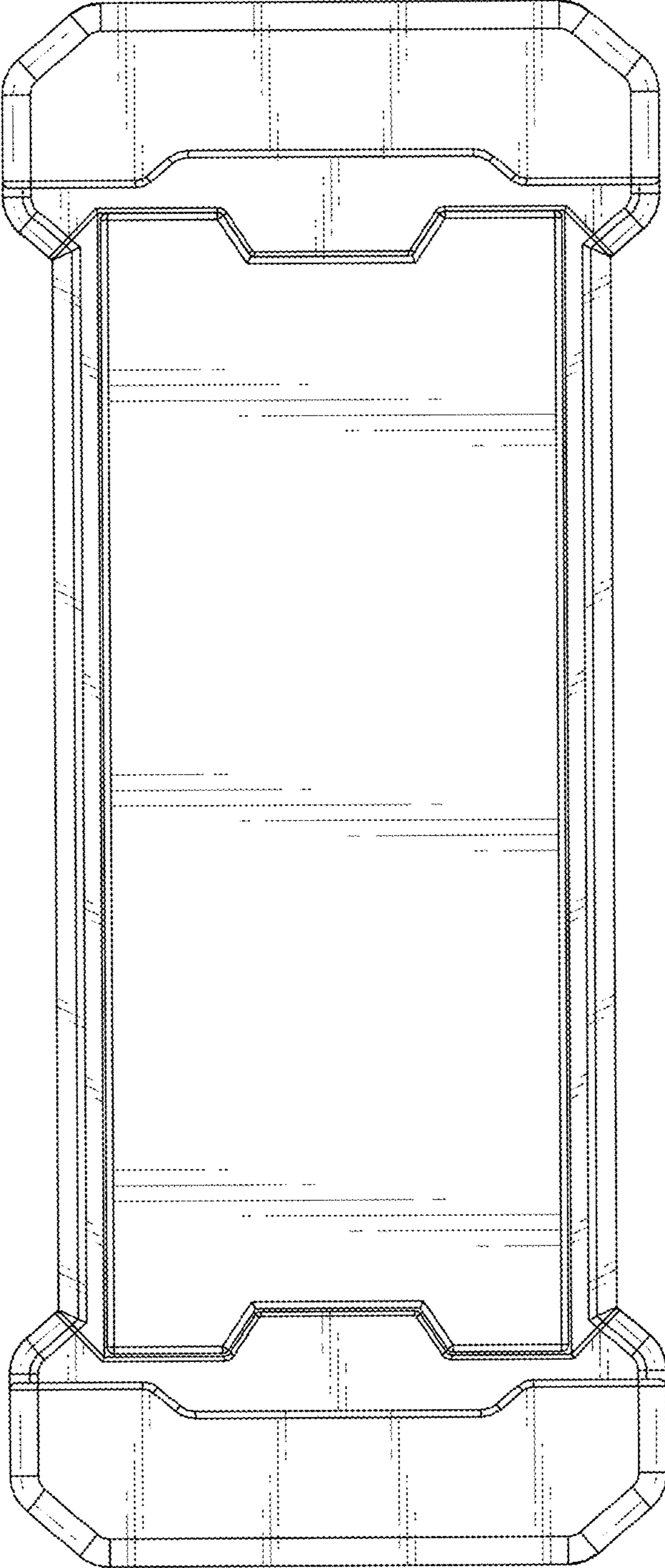


FIG. 7

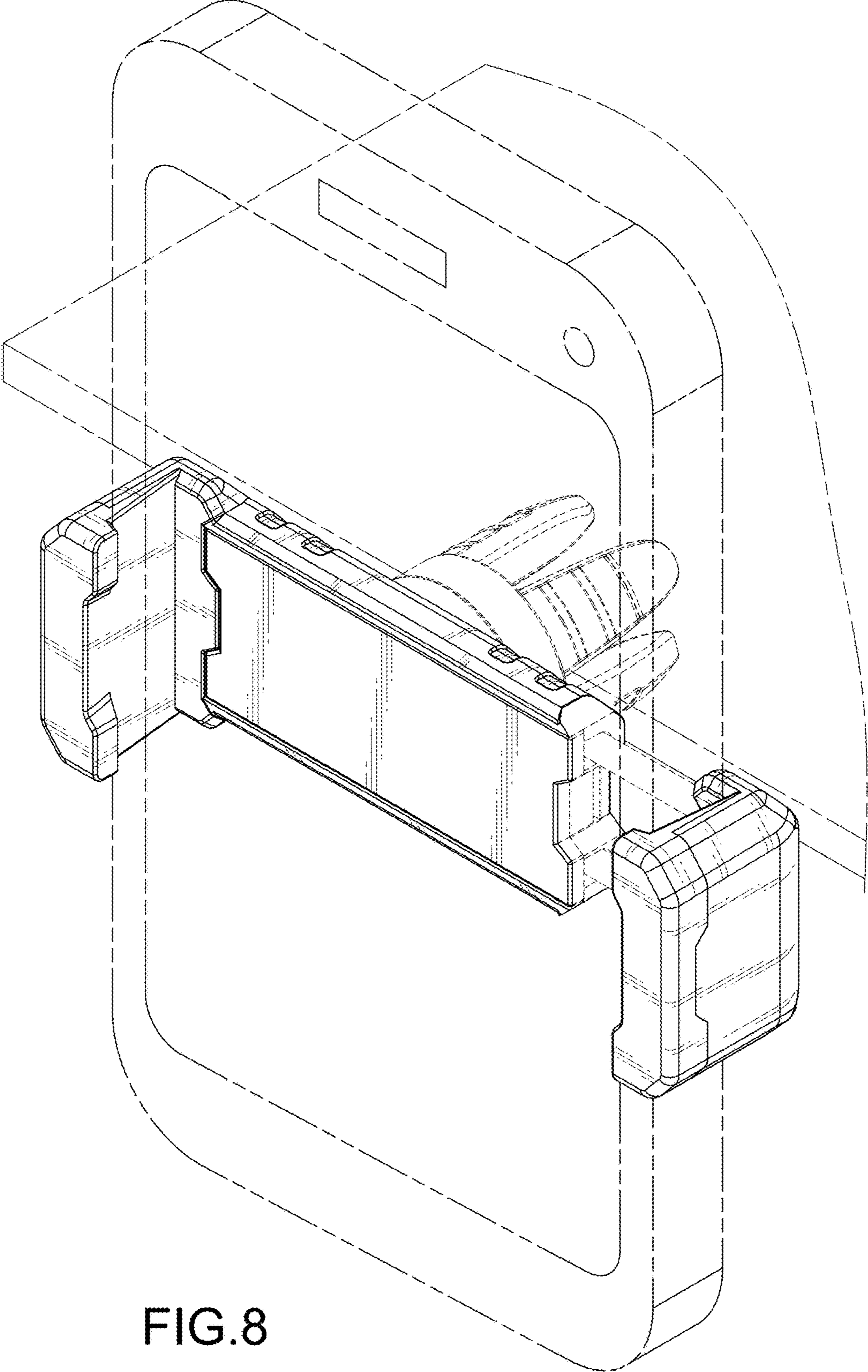


FIG.8