

US00D823844S

(12) **United States Design Patent** (10) **Patent No.:** **US D823,844 S**  
**Ramones et al.** (45) **Date of Patent:** **\*\* Jul. 24, 2018**

- (54) **WIRELESS ACCESS DEVICE**
- (71) Applicant: **Netgear, Inc.**, San Jose, CA (US)
- (72) Inventors: **John Kui Yin Ramones**, San Ramon, CA (US); **Henry Arthur Jupille**, Montrose, CO (US); **Andrew Tetzl**, Vancouver (CA)
- (73) Assignee: **Netgear, Inc.**, San Jose, CA (US)
- (\*\*) Term: **15 Years**
- (21) Appl. No.: **29/608,399**
- (22) Filed: **Jun. 21, 2017**
- (51) **LOC (11) Cl.** ..... **14-03**
- (52) **U.S. Cl.**  
USPC ..... **D14/240**; D14/358
- (58) **Field of Classification Search**  
USPC ..... D14/356, 357, 358, 361, 362, 365, 367, D14/370, 388, 432, 434, 203.1, 203.6, D14/204, 240, 242, 299, 125, 129, 130, D14/140, 155, 168, 188, 195, 300, 302, D14/314, 348, 351, 496, 142, 230; D13/103, 107, 108, 123, 152, 162, 162.1, D13/163, 168, 184, 199, 137.1, 137.2, D13/137.3, 139.1, 158; D10/104.1, D10/106.6, 116.1, 61, 64, 75, 106.9; D22/119, 120; D23/355, 364, 366; D26/26, 72, 73, 32, 34, 366, 367  
CPC ... H04W 88/08; H04W 88/085; H04W 88/00; H04W 88/005; H04W 88/02; H04W 88/12; H04W 88/14; H04W 88/16; H04W 88/18; H04W 4/00; H01Q 1/02; H01Q 1/2291; H01Q 1/246; H04B 1/38  
See application file for complete search history.

- D544,087 S \* 6/2007 Baraky ..... D23/366
- D561,319 S \* 2/2008 Weggelaar ..... D23/366
- D565,036 S \* 3/2008 Ju ..... D14/240
- D568,455 S \* 5/2008 Friedman ..... D23/366
- D598,531 S \* 8/2009 Irvin ..... D23/366
- D604,402 S \* 11/2009 Tomas Vilarasa ..... D23/366
- D604,823 S \* 11/2009 Schwartz ..... D23/366

(Continued)

**OTHER PUBLICATIONS**

Devices for wireless Communication. (Design—©Questel) orbit.com.[online PDF] 13 pgs. Print Dates range from Nov. 20, 2013 to Jan. 13, 2017. [Retrieved on Mar. 14, 2018] <https://sobjprd.questel.fr/export/QPTUJ214/pdf2/ea27ab70-5fb7-4785-a0b1-62fbf6168a25-191547.pdf>.\*

(Continued)

*Primary Examiner* — Susan Bennett Hattan  
*Assistant Examiner* — Marie D. Fast Horse  
(74) *Attorney, Agent, or Firm* — Boyle Fredrickson, S.C.

(57) **CLAIM**

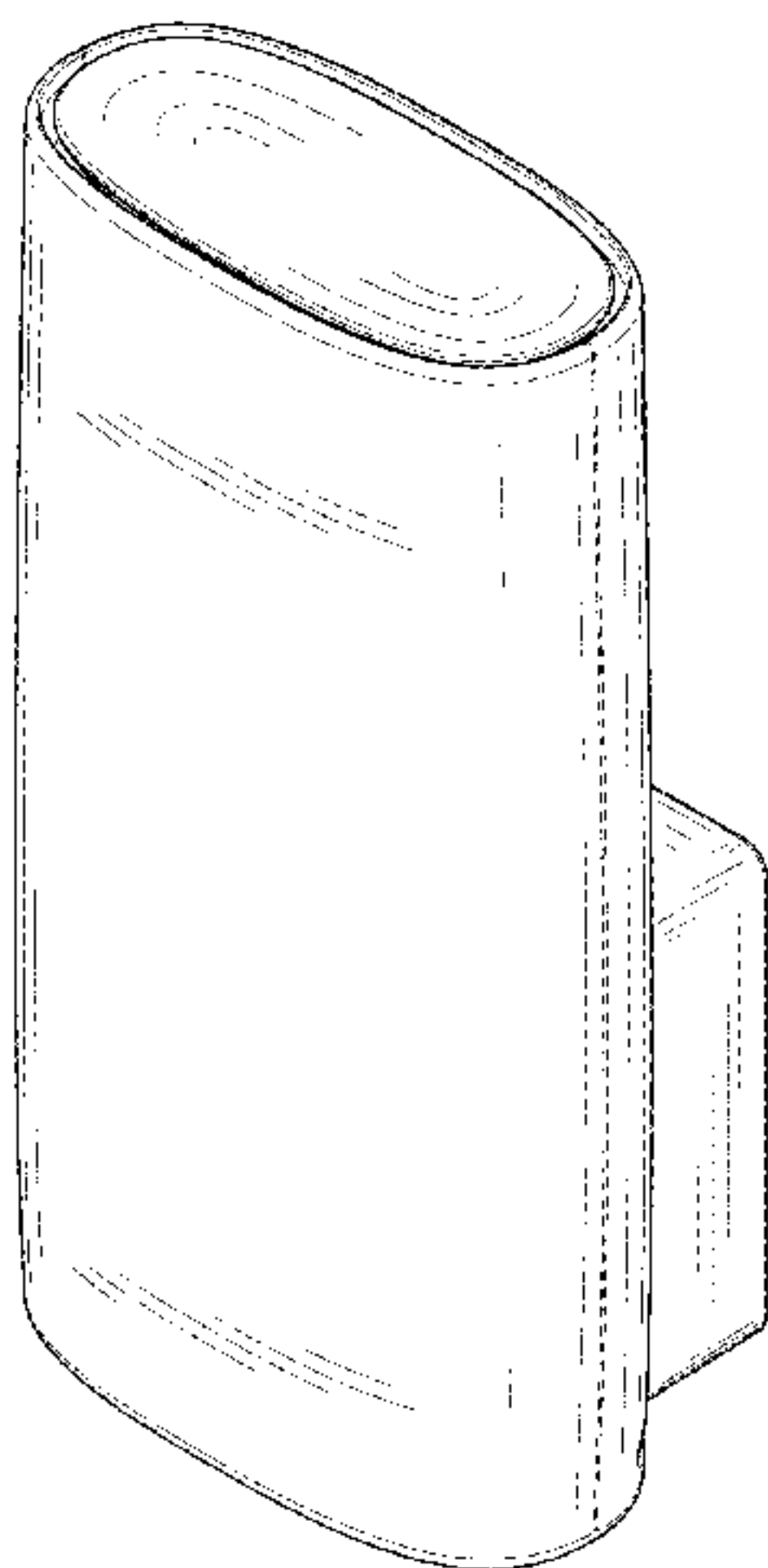
The ornamental design for a wireless access device, as shown and described.

**DESCRIPTION**

FIG. 1 is a perspective view of a wireless access device incorporating our new design, viewed from above, in front of, and the left side of the device; FIG. 2 is a front elevation view thereof; FIG. 3 is a rear elevation view thereof; FIG. 4 is a left-side elevation view thereof; FIG. 5 is a right-side elevation view thereof; FIG. 6 is a top plan view thereof; and, FIG. 7 is bottom plan view thereof. The broken lines in FIGS. 1-7 that are located immediately adjacent the shaded areas represent the bounds of the claimed design, while all other broken lines are directed to the environment. All of the broken lines form no part of the claimed design.

**1 Claim, 7 Drawing Sheets**

- (56) **References Cited**  
U.S. PATENT DOCUMENTS  
D422,578 S \* 4/2000 Bertrand ..... D14/385  
D525,240 S \* 7/2006 Hales ..... D14/240



(56)

**References Cited**

U.S. PATENT DOCUMENTS

D630,702 S *	1/2011	Levine	.....	D22/120
D638,355 S *	5/2011	Chen	.....	D13/110
D642,708 S *	8/2011	Kaule	.....	D26/26
D669,073 S *	10/2012	Wu	.....	D14/240
D697,122 S *	1/2014	Ikegame	.....	D16/218
D712,532 S *	9/2014	Adair	.....	A61L 9/12 D23/366
D724,583 S *	3/2015	Ge	.....	D14/358
D724,771 S *	3/2015	Ma	.....	D26/26
D729,921 S *	5/2015	Poindexter	.....	D23/364
D729,924 S *	5/2015	Hsiao	.....	D23/366
D730,506 S *	5/2015	Poindexter	.....	D23/364
D731,045 S *	6/2015	Huang	.....	D23/364
D731,419 S *	6/2015	Kao	.....	D13/110
D732,654 S *	6/2015	Hsiao	.....	D23/366
D759,638 S *	6/2016	Cheng	.....	D14/242
D772,442 S *	11/2016	Lange	.....	D26/26
D785,067 S *	4/2017	Ramones	.....	D16/203

D790,460 S *	6/2017	Hibmacronan	.....	D13/110
D790,461 S *	6/2017	Hibmacronan	.....	D13/110
D801,505 S *	10/2017	Yin	.....	D23/364
D801,508 S *	10/2017	Weening	.....	D23/366

OTHER PUBLICATIONS

U.S. Appl. No. 29/582,939, filed Nov. 1, 2016, for Wireless Access Device (23 pages).  
 Netgear, Inc.; "Netgear Support: What Comes in the Box With My Orbi Mini Router and Mini Satellite"; Mar. 28, 2017; <https://kb.netgear.com/000038216/What-comes-in-the-box-with-my-Orbi-mini-router-and-mini-satellite> (2 pages).  
 Netgear, Inc.; "Meet Orbi—Better WiFi. Everywhere"; [https://www.netgear.com/orbi?cid=us-orbi-srch&utm\\_source=search&utm\\_medium=cpc&utm\\_campaign=q217-us-orbi-search&gclid=EALalQobChMlw5Kv5KLP1AlVx7bACh2GGgRDEAAYASAAEgKF1fD\\_BwE](https://www.netgear.com/orbi?cid=us-orbi-srch&utm_source=search&utm_medium=cpc&utm_campaign=q217-us-orbi-search&gclid=EALalQobChMlw5Kv5KLP1AlVx7bACh2GGgRDEAAYASAAEgKF1fD_BwE); Pre-Jun. 20, 2017 (3 pages).

\* cited by examiner

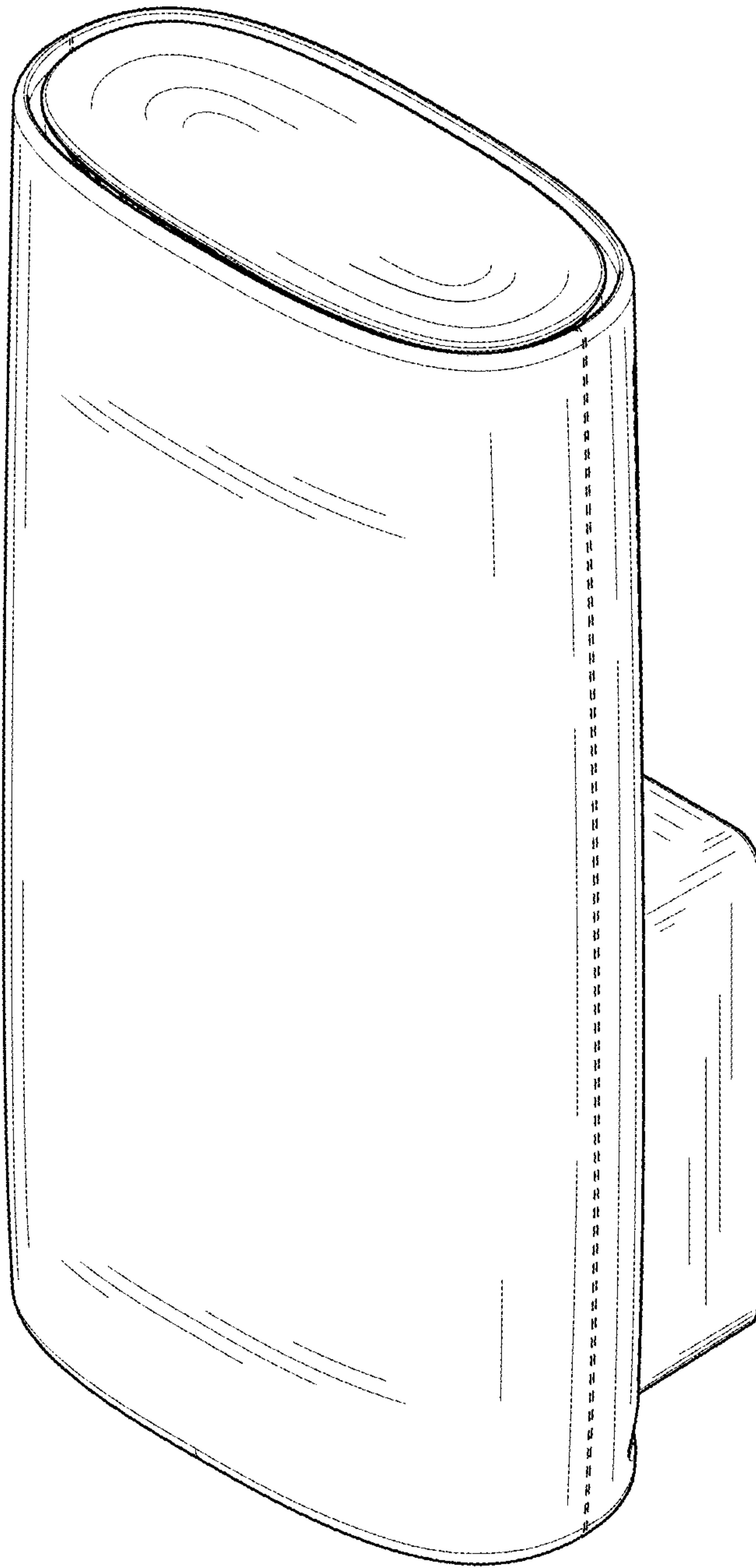


FIG. 1

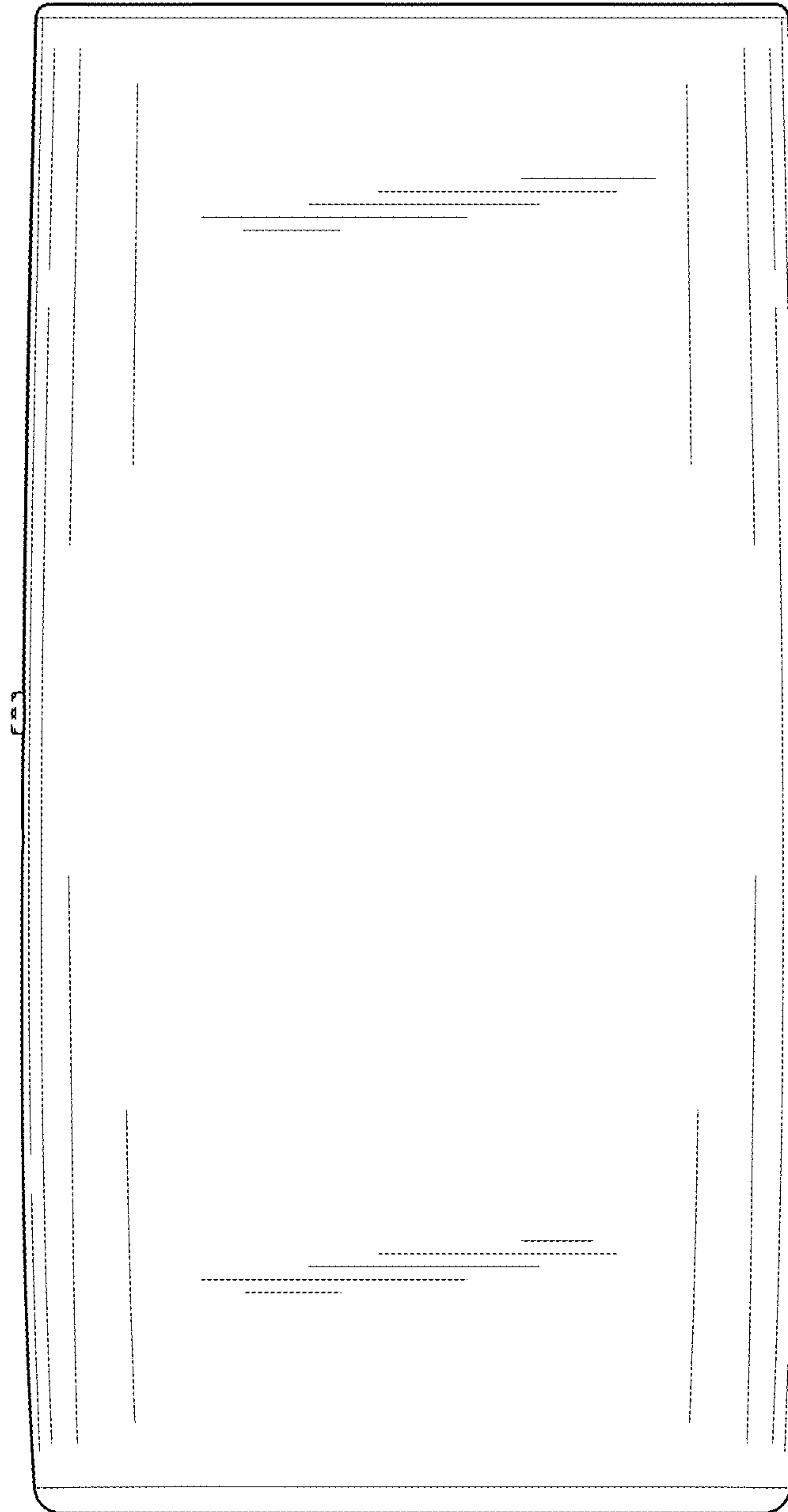


FIG. 2



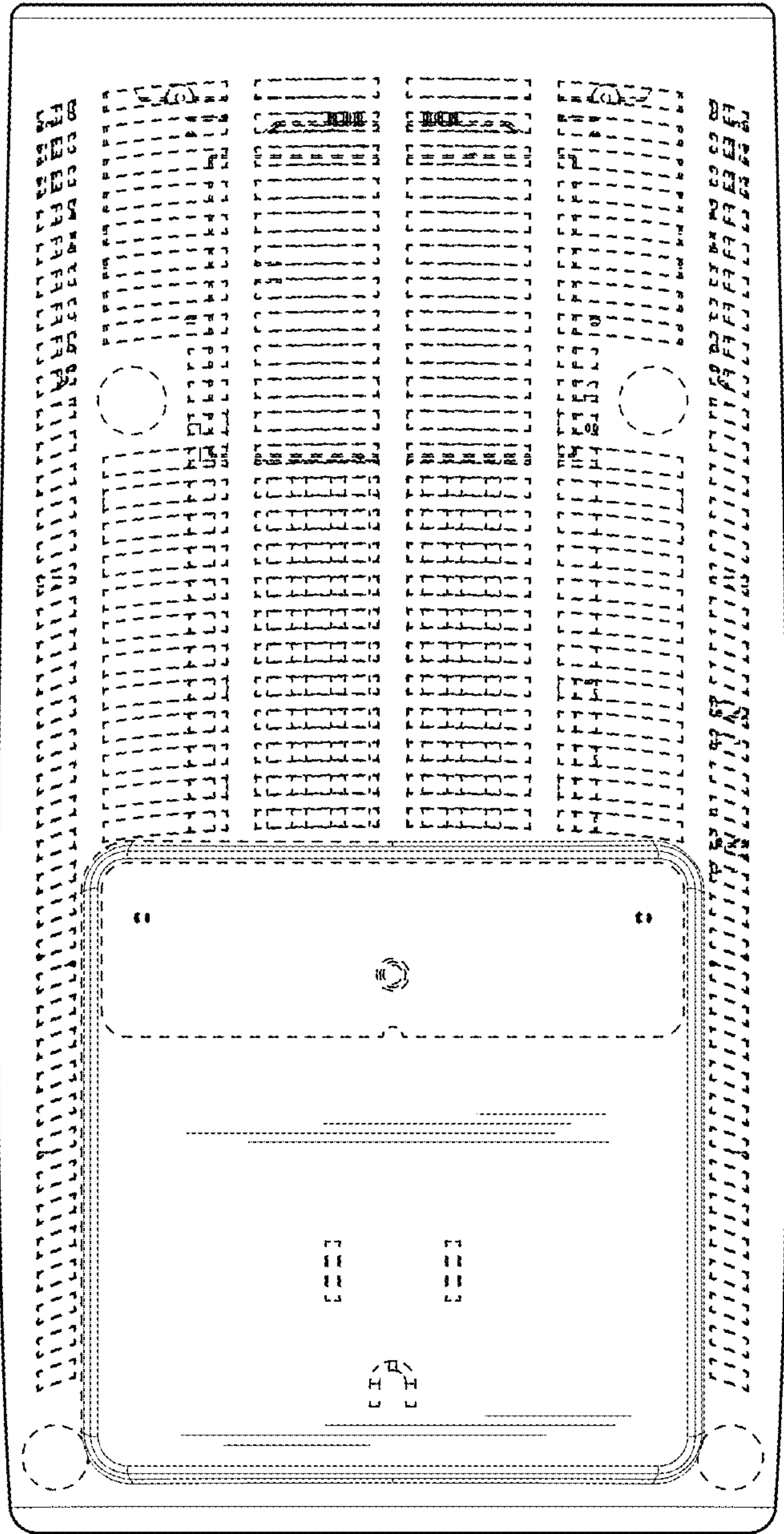


FIG. 3

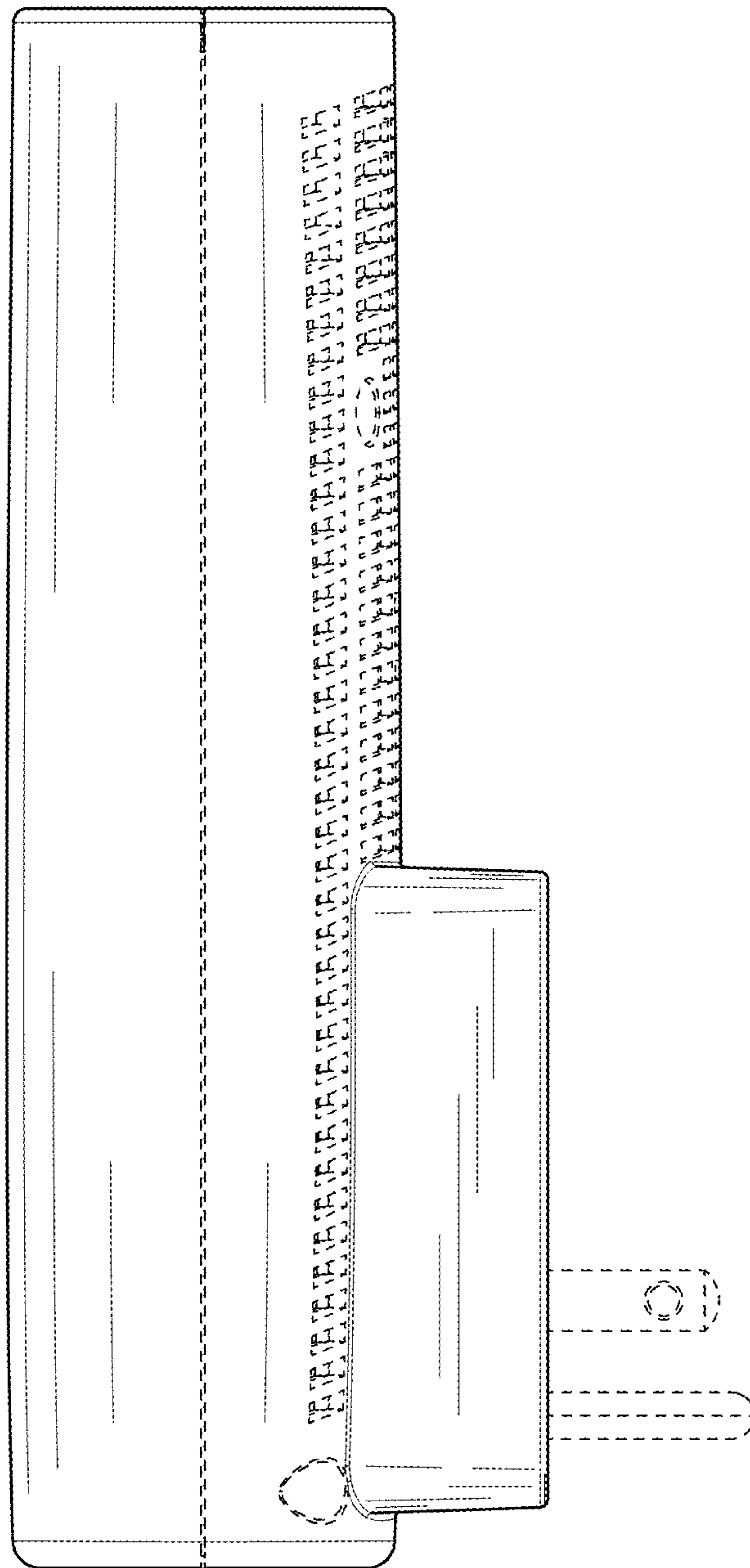


FIG. 4

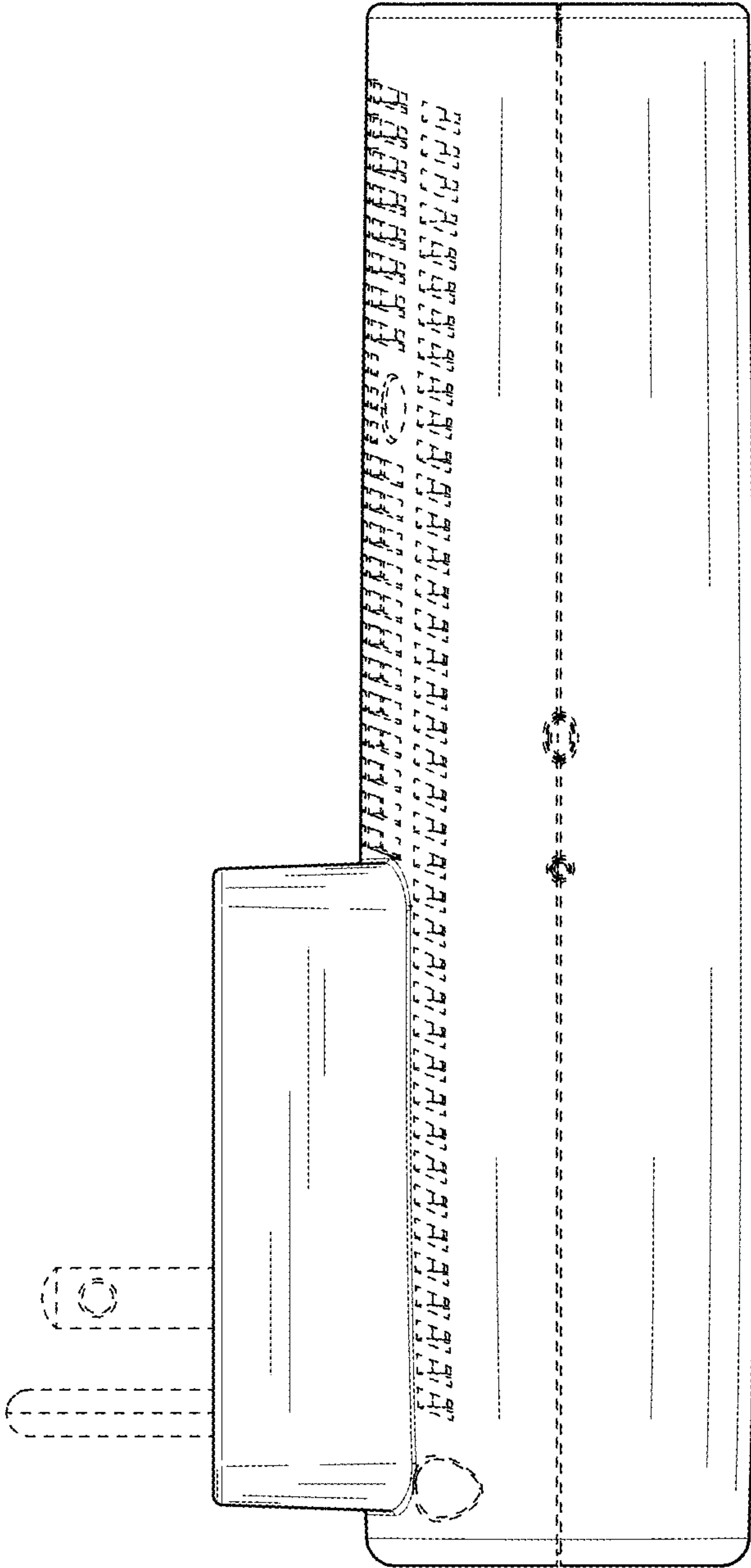


FIG. 5

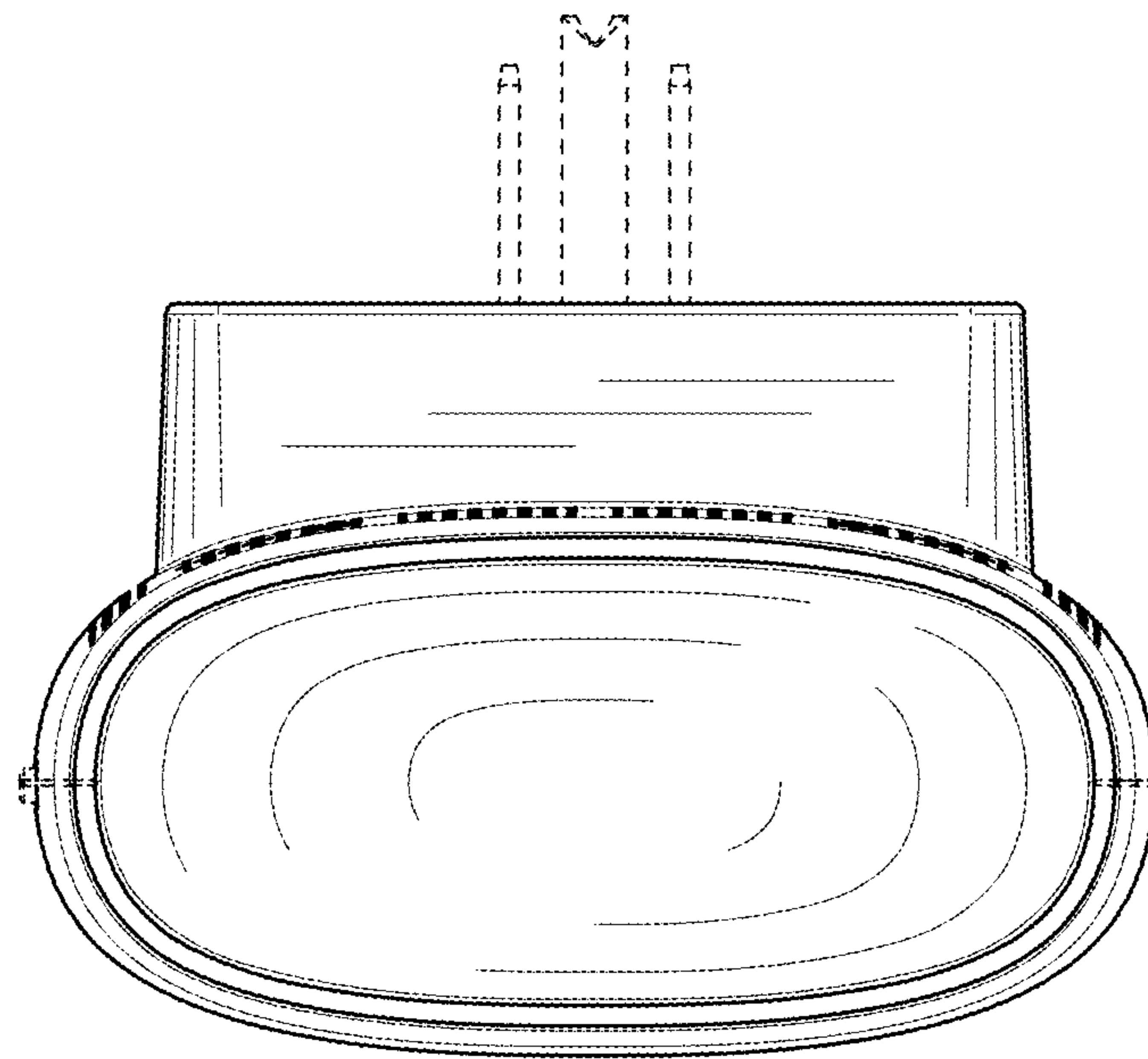


FIG. 6



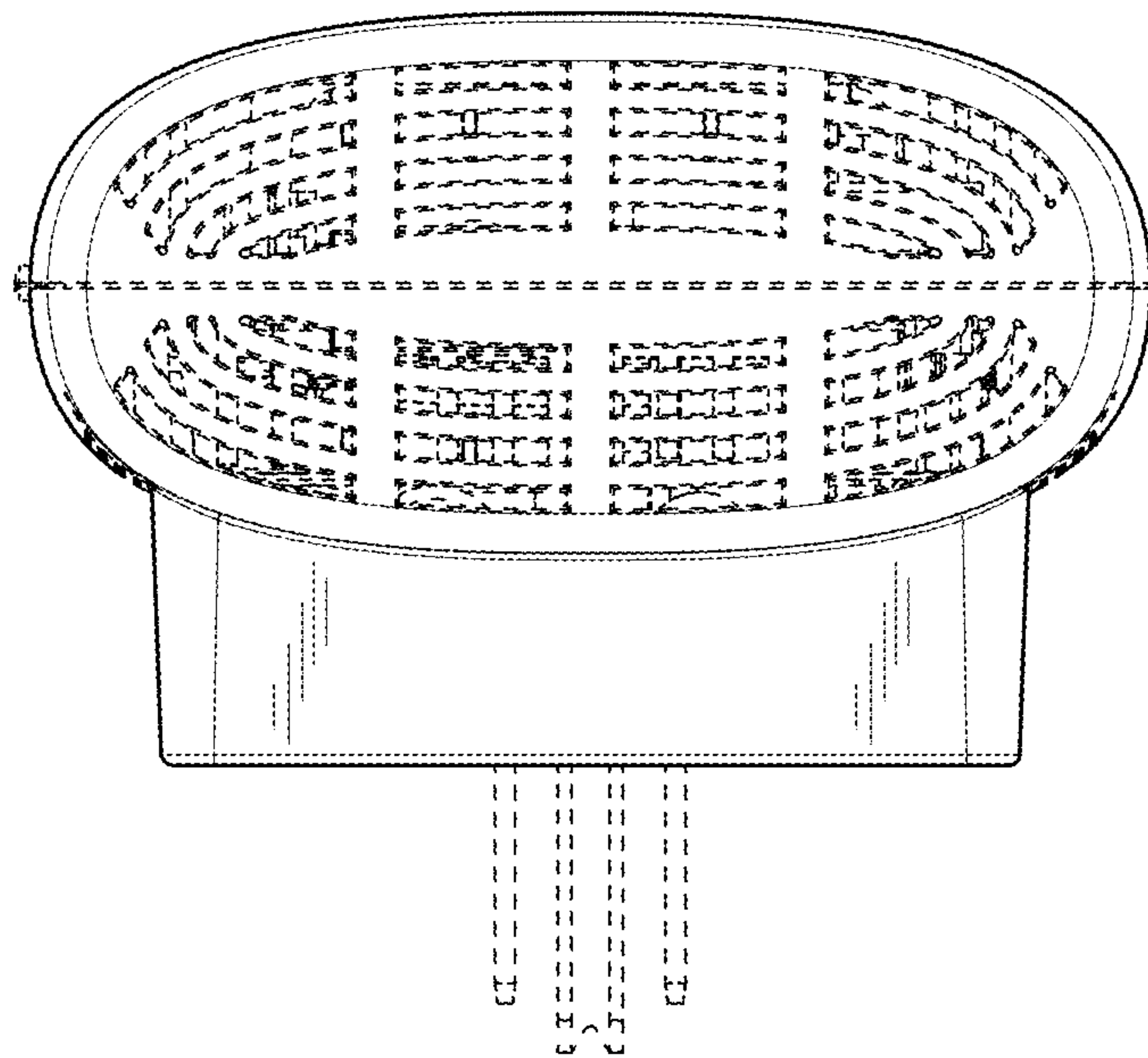


FIG. 7