



US00D823841S

(12) **United States Design Patent** (10) **Patent No.:** **US D823,841 S**  
**Marini** (45) **Date of Patent:** **\*\* Jul. 24, 2018**

(54) **SLIDING HOLDER FOR A RFID PUCK**  
 (71) Applicant: **Hector Noel Marini**, Palm City, FL (US)  
 (72) Inventor: **Hector Noel Marini**, Palm City, FL (US)  
 (\*\*) Term: **15 Years**

D766,905 S \* 9/2016 Lee ..... D14/440  
 D766,906 S \* 9/2016 Kim ..... D14/440  
 D767,573 S \* 9/2016 Kim ..... D14/440  
 D769,879 S \* 10/2016 Kim ..... D14/440  
 D784,837 S \* 4/2017 Kuramoto ..... D10/132  
 D786,879 S \* 5/2017 Kim ..... D14/440  
 D795,089 S \* 8/2017 Wright ..... D10/32  
 9,723,910 B2 \* 8/2017 Due ..... A45F 5/10  
 D799,344 S \* 10/2017 Wright ..... D10/30  
 D800,700 S \* 10/2017 Bergman ..... D14/217

\* cited by examiner

(21) Appl. No.: **29/611,643**  
 (22) Filed: **Jul. 24, 2017**  
 (51) **LOC (11) Cl.** ..... **14-03**  
 (52) **U.S. Cl.**  
 USPC ..... **D14/238**  
 (58) **Field of Classification Search**  
 USPC ..... D14/238, 341-347, 371, 426, 427, 432,  
 D14/440; D10/30-39, 103  
 CPC .. A61B 2017/60442; A61B 2017/6824; A61B  
 5/681; A61B 5/02438; A61B 5/1112;  
 A61B 5/0022; H04B 1/385; A44C 5/14;  
 A44C 5/12  
 See application file for complete search history.

*Primary Examiner* — Brandon M Rosati  
*Assistant Examiner* — Harold E Blackwell, II  
 (74) *Attorney, Agent, or Firm* — Troutman Sanders LLP

(57) **CLAIM**

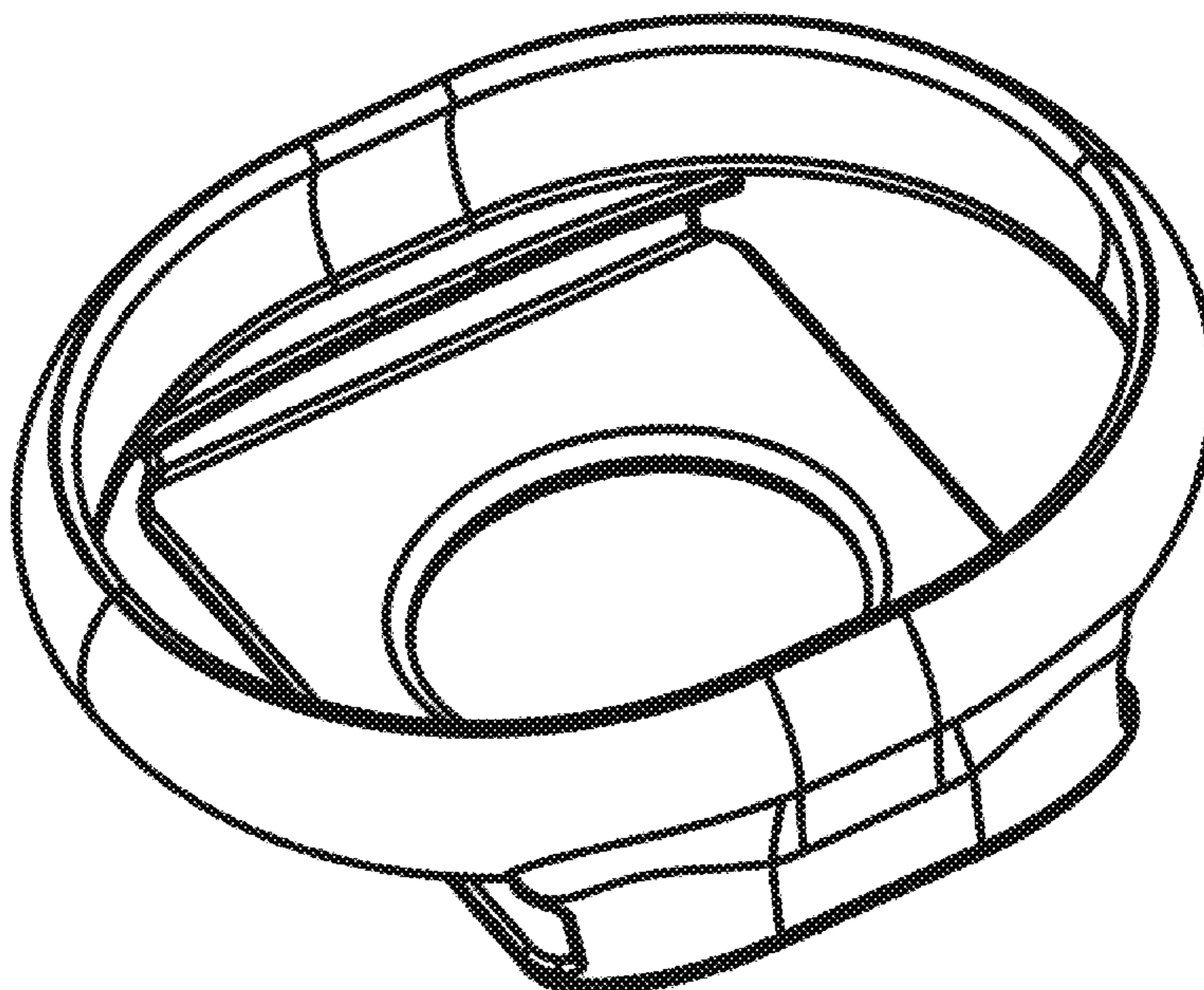
The ornamental design for a sliding holder for a RFID puck, as shown and described.

**DESCRIPTION**

FIG. 1 is a front elevation view of the sliding holder for a RFID puck;  
 FIG. 2 is a right side elevation view thereof;  
 FIG. 3 is a left side elevation view thereof;  
 FIG. 4 is a rear elevation view thereof;  
 FIG. 5 is a top plan view thereof;  
 FIG. 6 is a bottom plan view thereof;  
 FIG. 7 is a perspective top-front-right view thereof; and,  
 FIG. 8 is a perspective view of the sliding holder for a RFID puck attached to a watch strap.  
 The broken line showing in the drawings illustrates the environment of the claimed design and forms no part thereof.

(56) **References Cited**  
 U.S. PATENT DOCUMENTS  
 D682,126 S \* 5/2013 Tello ..... B42D 25/22  
 D10/70  
 D693,709 S \* 11/2013 Lee ..... D10/65  
 D730,225 S \* 5/2015 Behar ..... D10/103  
 D751,558 S \* 3/2016 Lee ..... D10/103  
 D752,044 S \* 3/2016 Akana ..... D14/344  
 D766,904 S \* 9/2016 Jung ..... D14/440

**1 Claim, 8 Drawing Sheets**



**FIGURE 1**

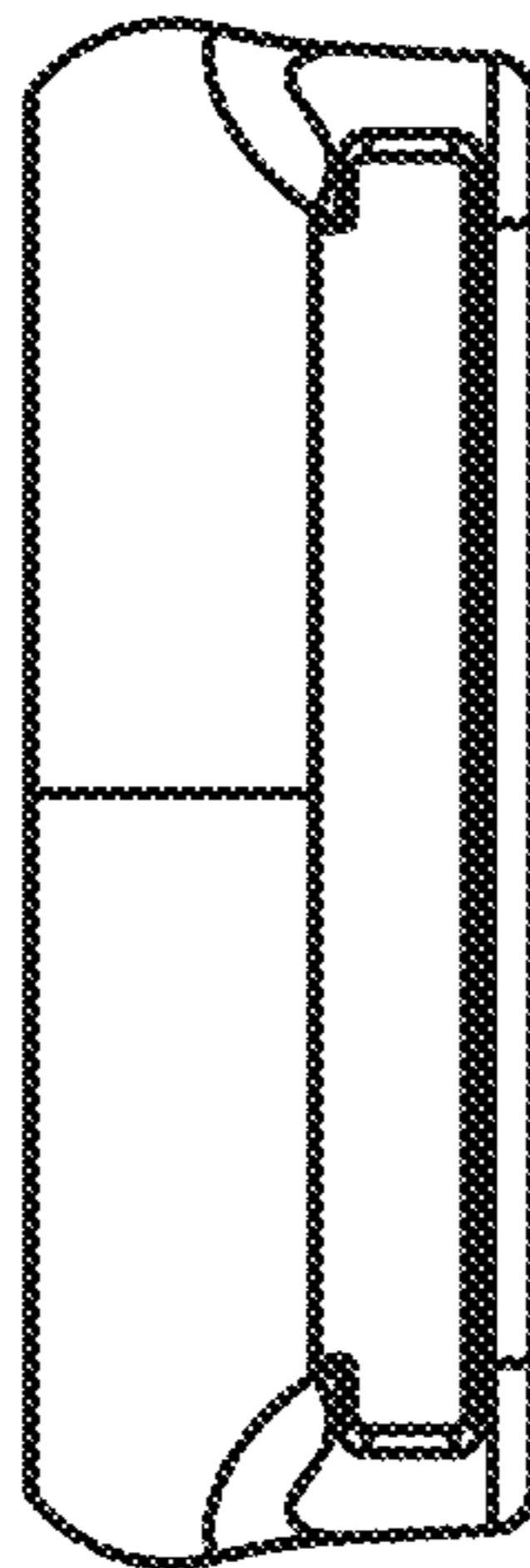
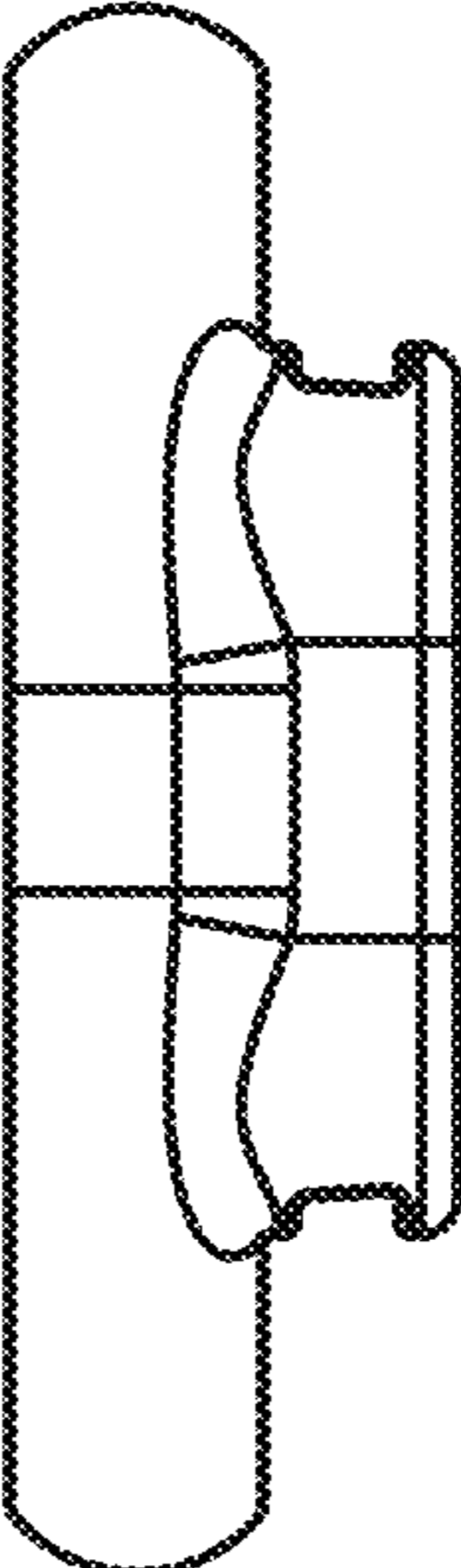
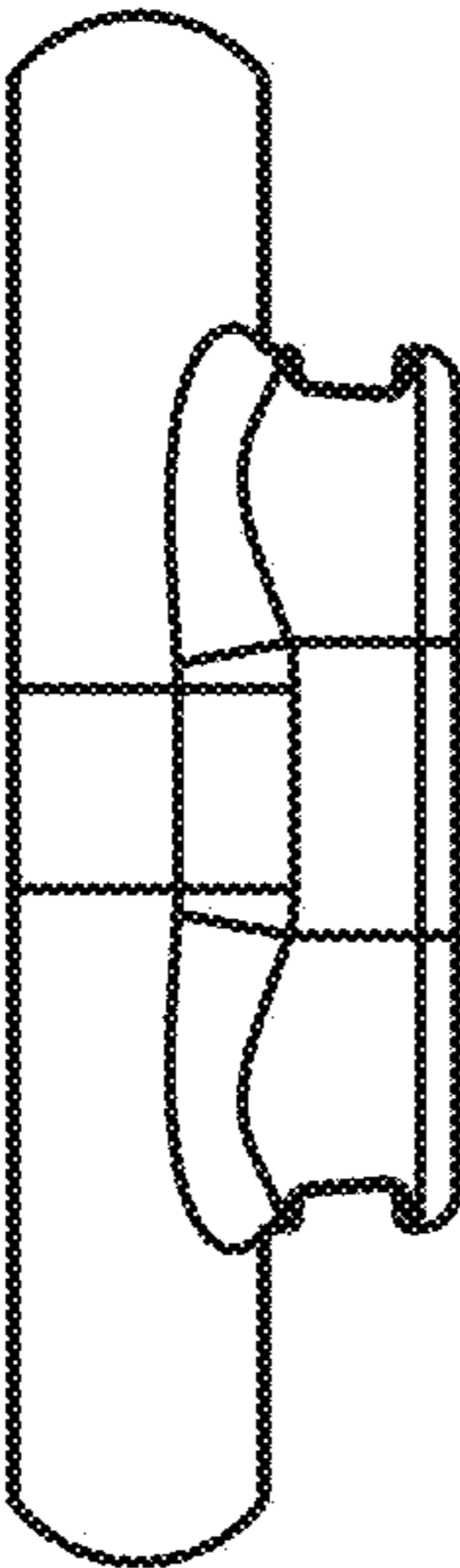


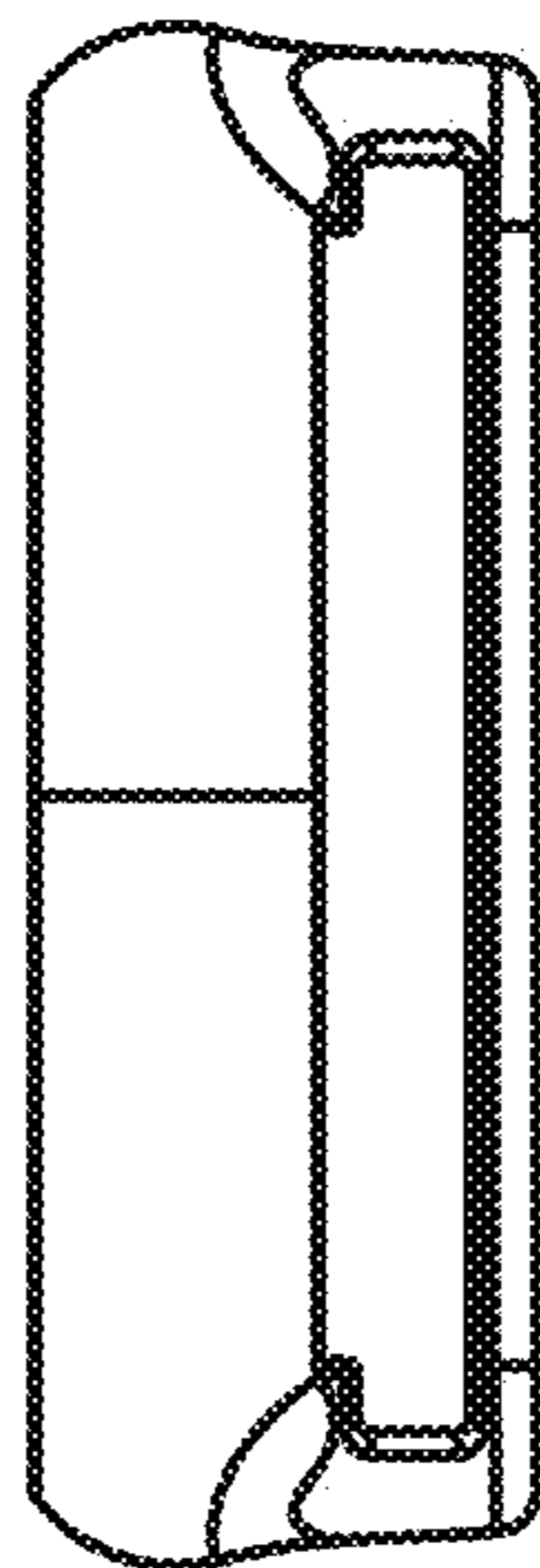
FIGURE 2



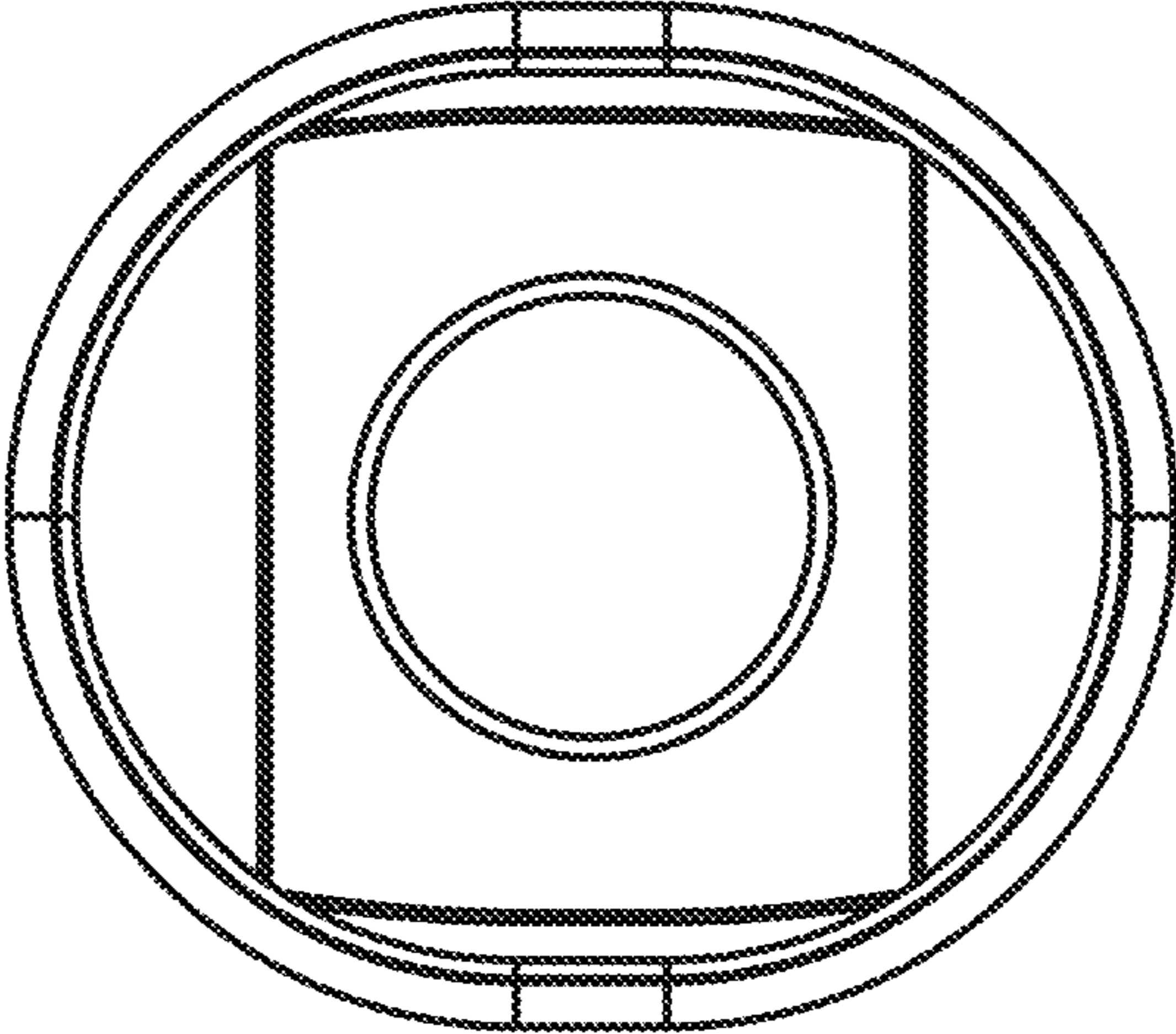
**FIGURE 3**



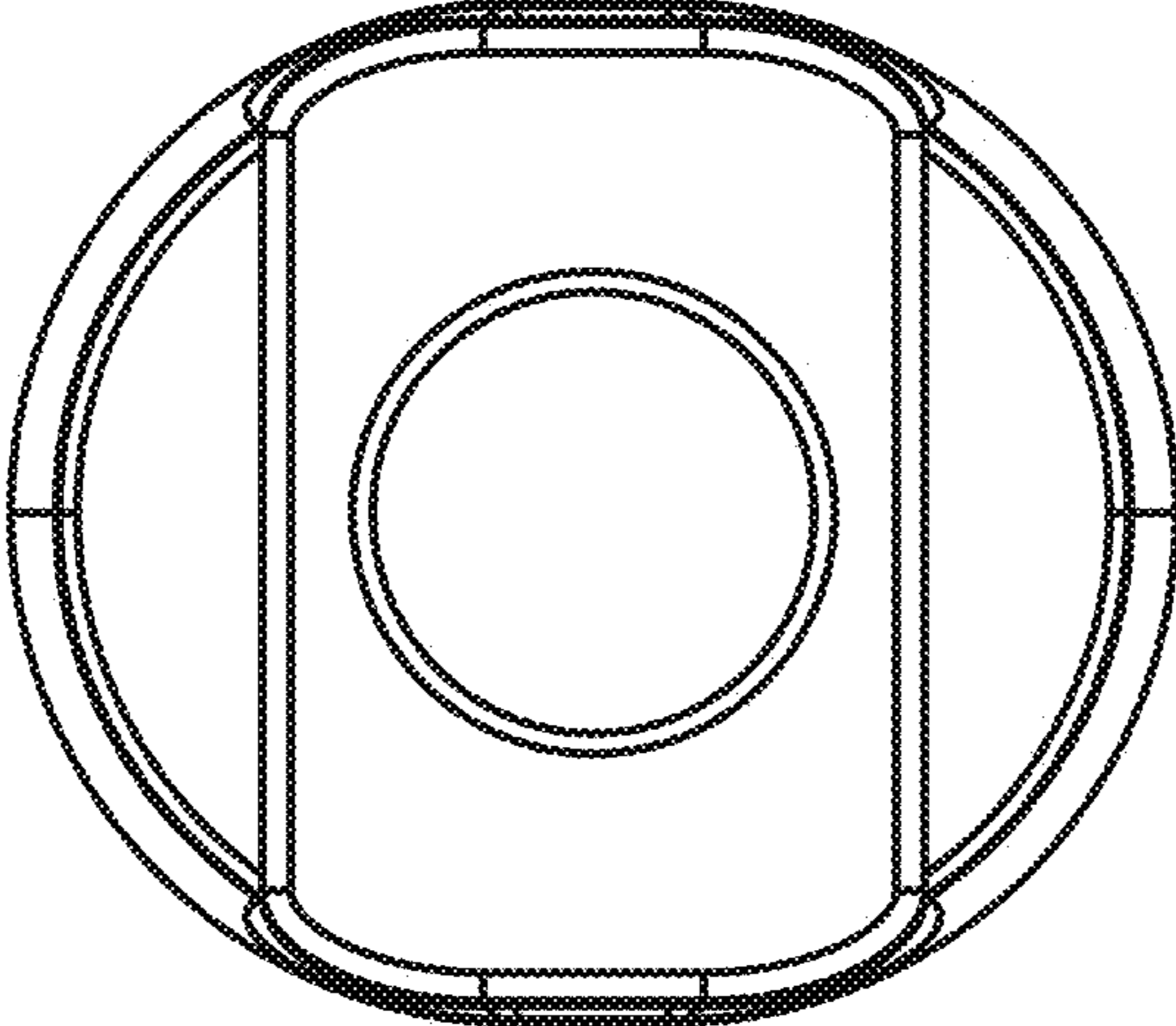
**FIGURE 4**



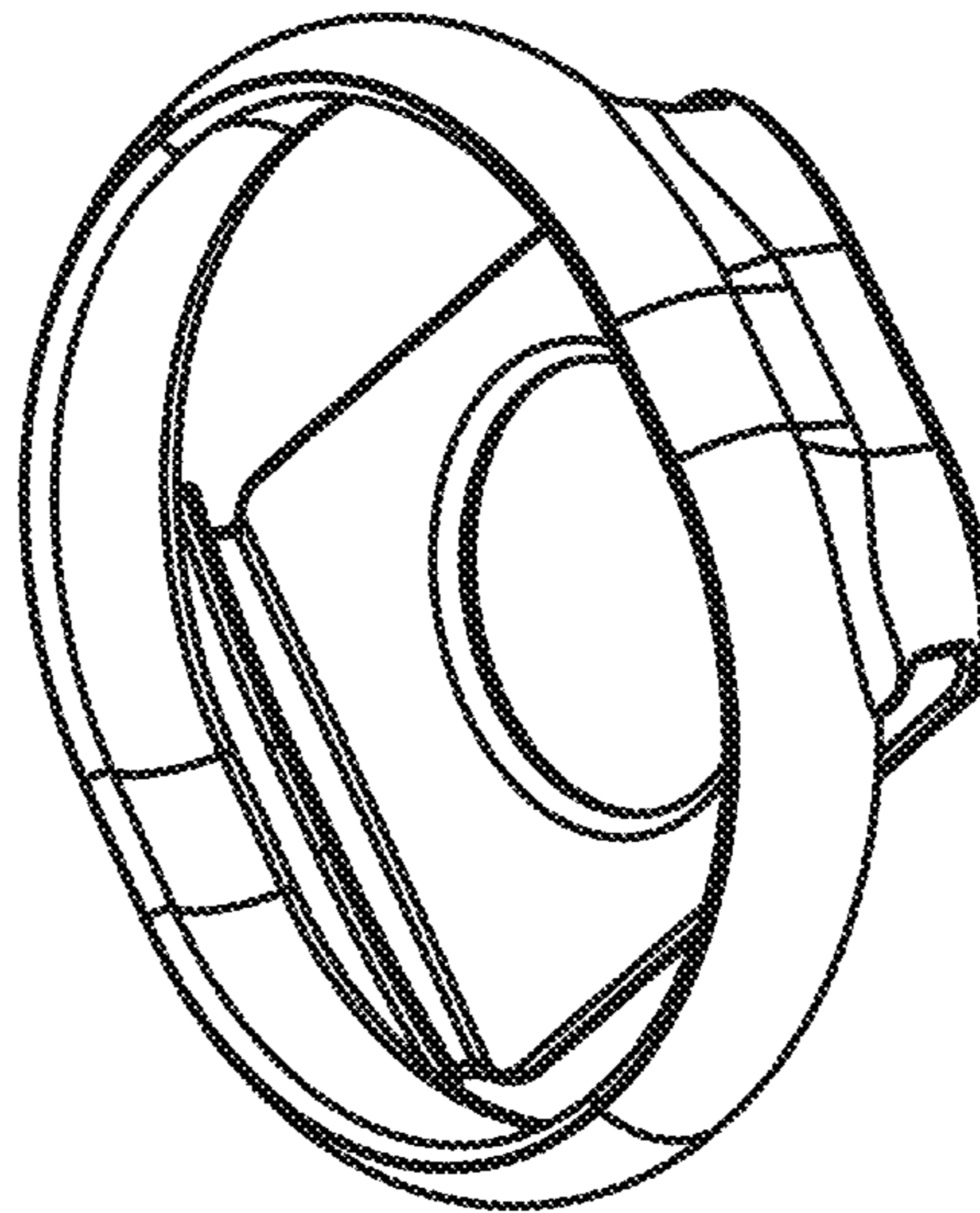
**FIGURE 5**



**FIGURE 6**



**FIGURE 7**





**FIGURE 8**

