



US00D823840S

(12) **United States Design Patent**
Gilbert

(10) **Patent No.:** **US D823,840 S**
(45) **Date of Patent:** **** Jul. 24, 2018**

(54) **ELECTRONIC DEVICE MOUNT**
(71) Applicant: **Netgear, Inc.**, San Jose, CA (US)
(72) Inventor: **William A. Gilbert**, Carlsbad, CA (US)
(73) Assignee: **Netgear, Inc.**, San Jose, CA (US)

(**) Term: **15 Years**
(21) Appl. No.: **29/602,741**

(22) Filed: **May 3, 2017**

(51) **LOC (11) Cl.** **14-03**

(52) **U.S. Cl.**
USPC **D14/238**

(58) **Field of Classification Search**
USPC D14/138, 230-238, 299, 358;
343/711-713, 735, 736, 741, 748, 767,
343/795, 819, 840, 846, 866, 871-908;
D12/42, 43
See application file for complete search history.

(56) **References Cited**

U.S. PATENT DOCUMENTS

D225,221 S *	11/1972	Sikorski et al.	D10/109.1
D231,536 S *	4/1974	Finke et al.	D14/238
D261,768 S *	11/1981	Metz	D14/238
D320,603 S *	10/1991	Jones	D14/238
D321,886 S *	11/1991	Metivier	D14/230
D329,433 S *	9/1992	Wilson	D14/234
D373,769 S *	9/1996	Whitehouse	D14/238
D399,847 S *	10/1998	Seifert	D14/230

D634,308 S *	3/2011	Bliss	D14/233
D758,230 S *	6/2016	Hojmose	D10/106.5
D773,443 S *	12/2016	Sano	D14/230
D775,612 S *	1/2017	Sano	D14/230
D806,691 S *	1/2018	Andersson	D14/240
2005/0110649 A1*	5/2005	Fredericks	B64D 47/06 340/815.45

* cited by examiner

Primary Examiner — Lakiya G Rogers
Assistant Examiner — Harold E Blackwell, II
(74) *Attorney, Agent, or Firm* — Boyle Fredrickson, S.C.

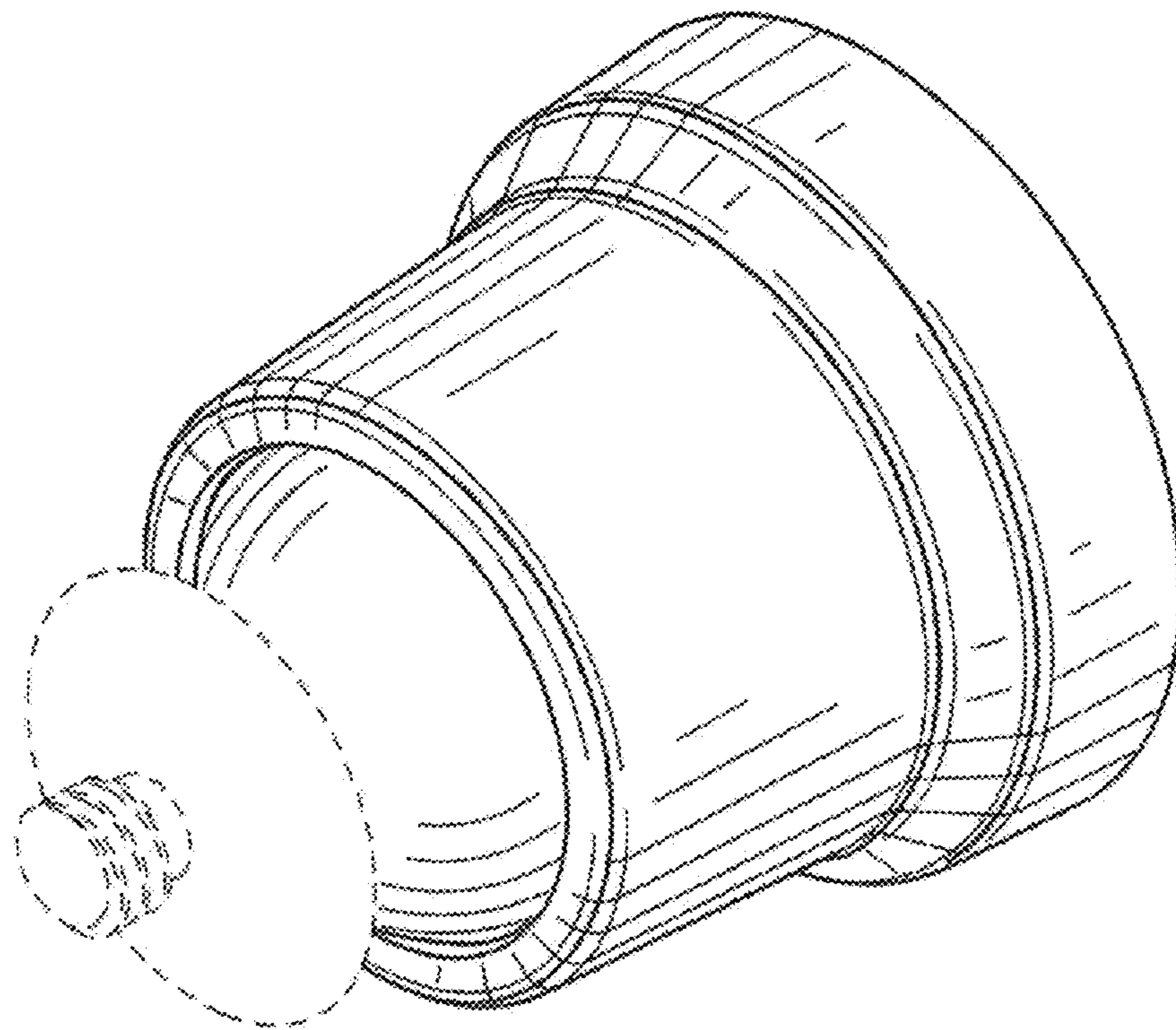
(57) **CLAIM**

The ornamental design for an electronic device mount, as shown and described.

DESCRIPTION

FIG. 1 is an isometric view of an electronic device mount incorporating my new design, viewed from above, in front of, and from the right side of the mount;
FIG. 2 is a front end elevation view thereof;
FIG. 3 is a top plan view thereof, the bottom plan view being a mirror image of the top plan view;
FIG. 4 is right side elevation view thereof, the left side elevation view being a mirror image of the right side elevation view; and,
FIG. 5 is rear end elevation view thereof.
The broken lines in the drawings show environmental structures and form no part of the claimed design.

1 Claim, 2 Drawing Sheets



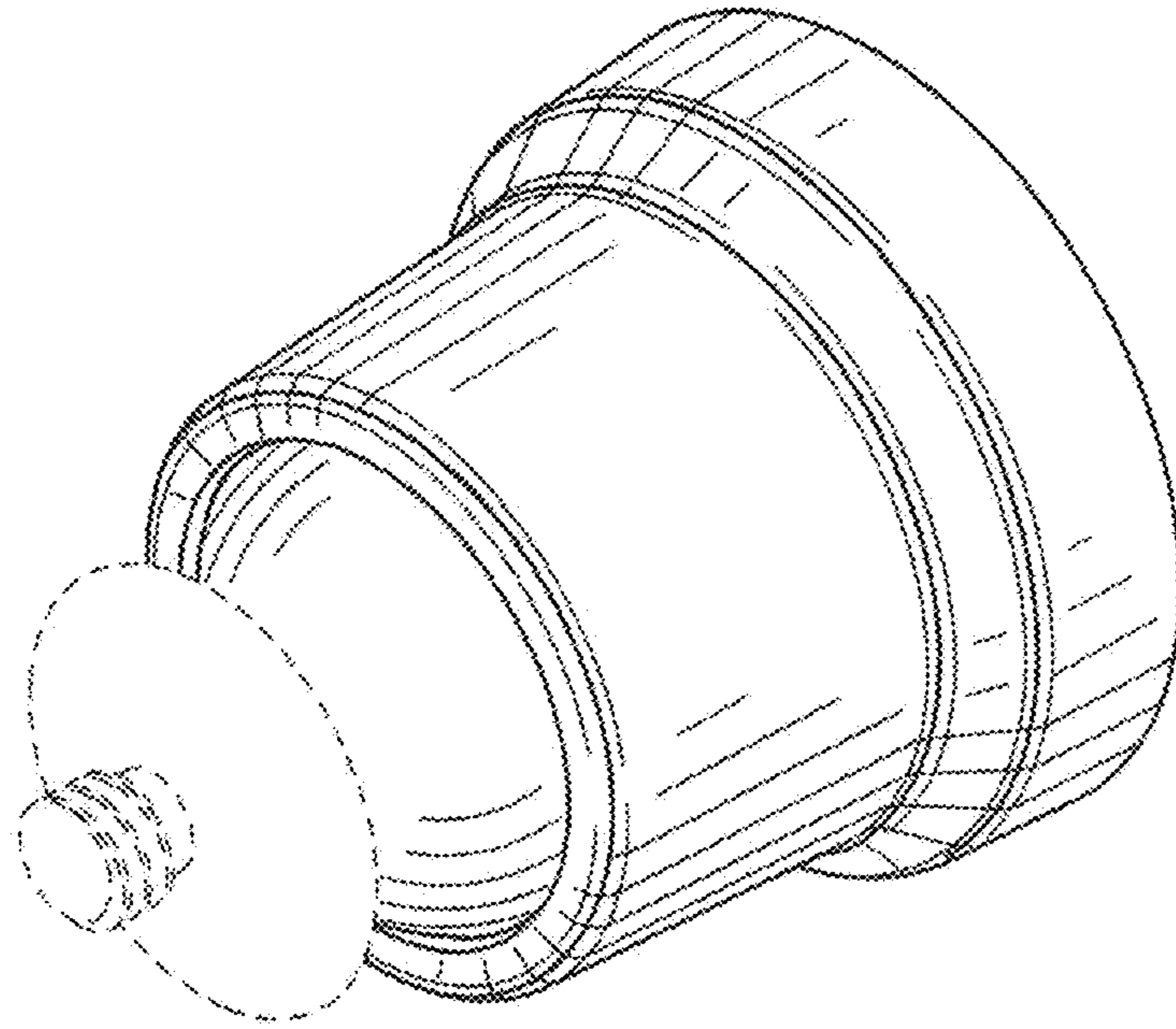


FIG. 1

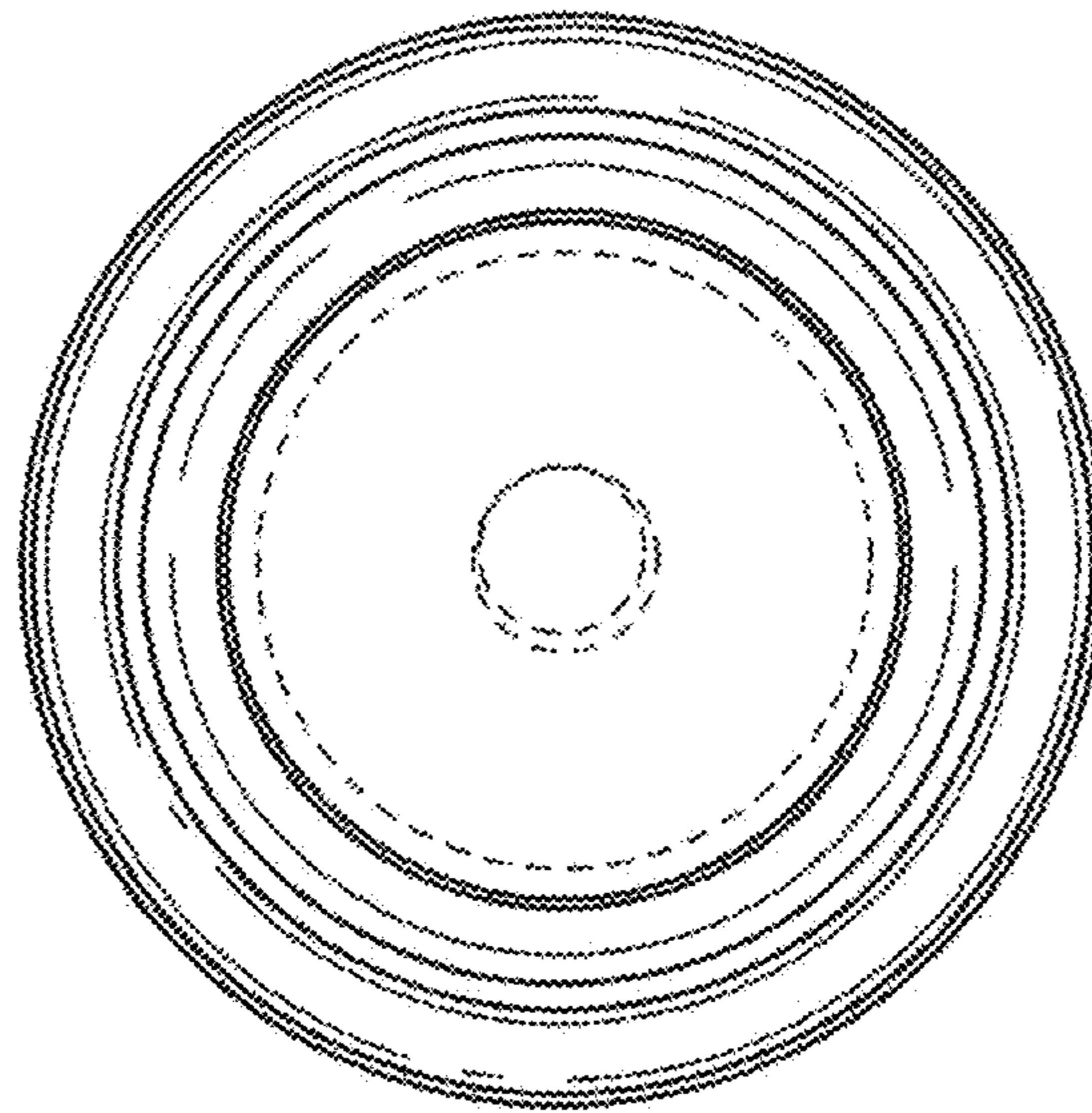


FIG. 2

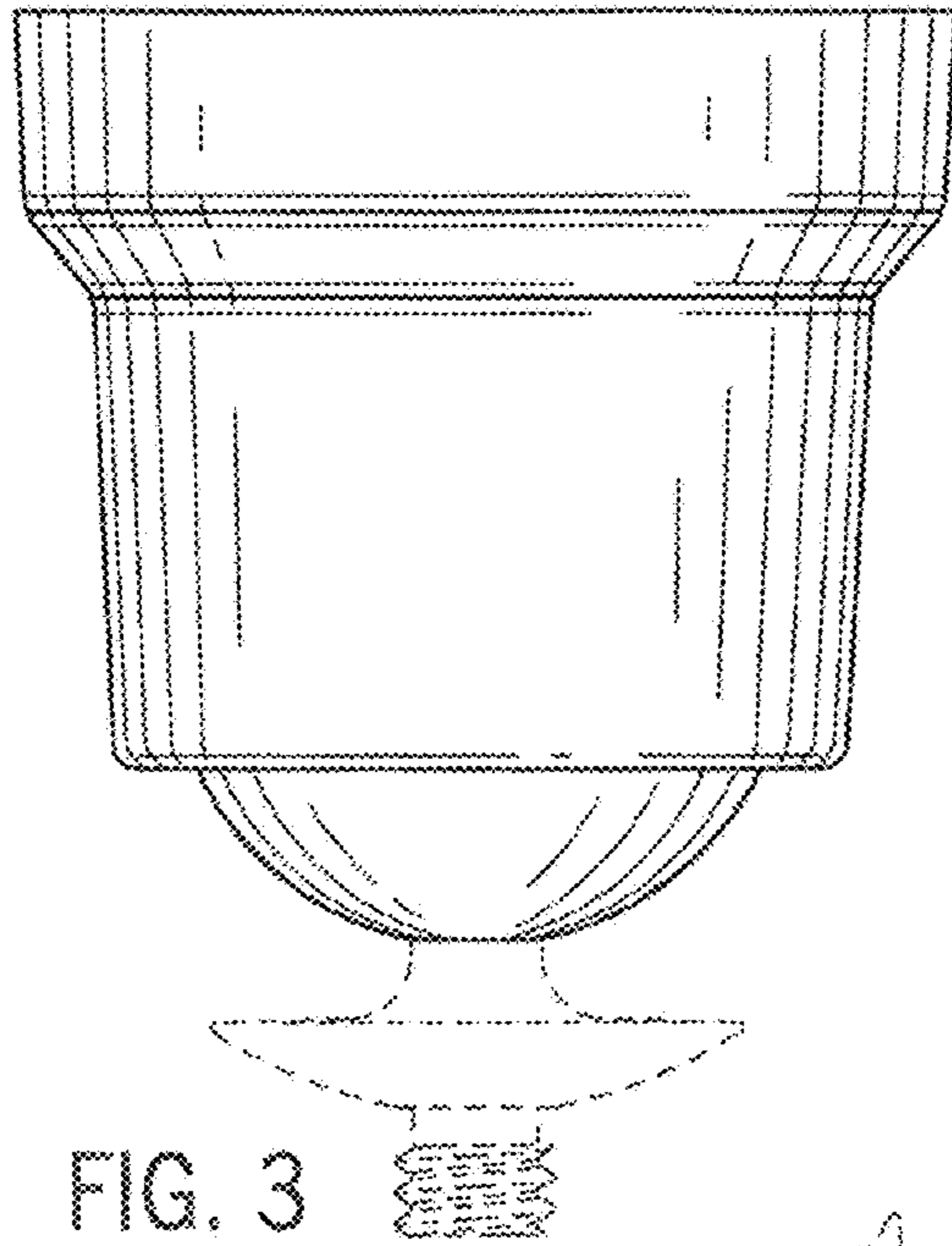


FIG. 3

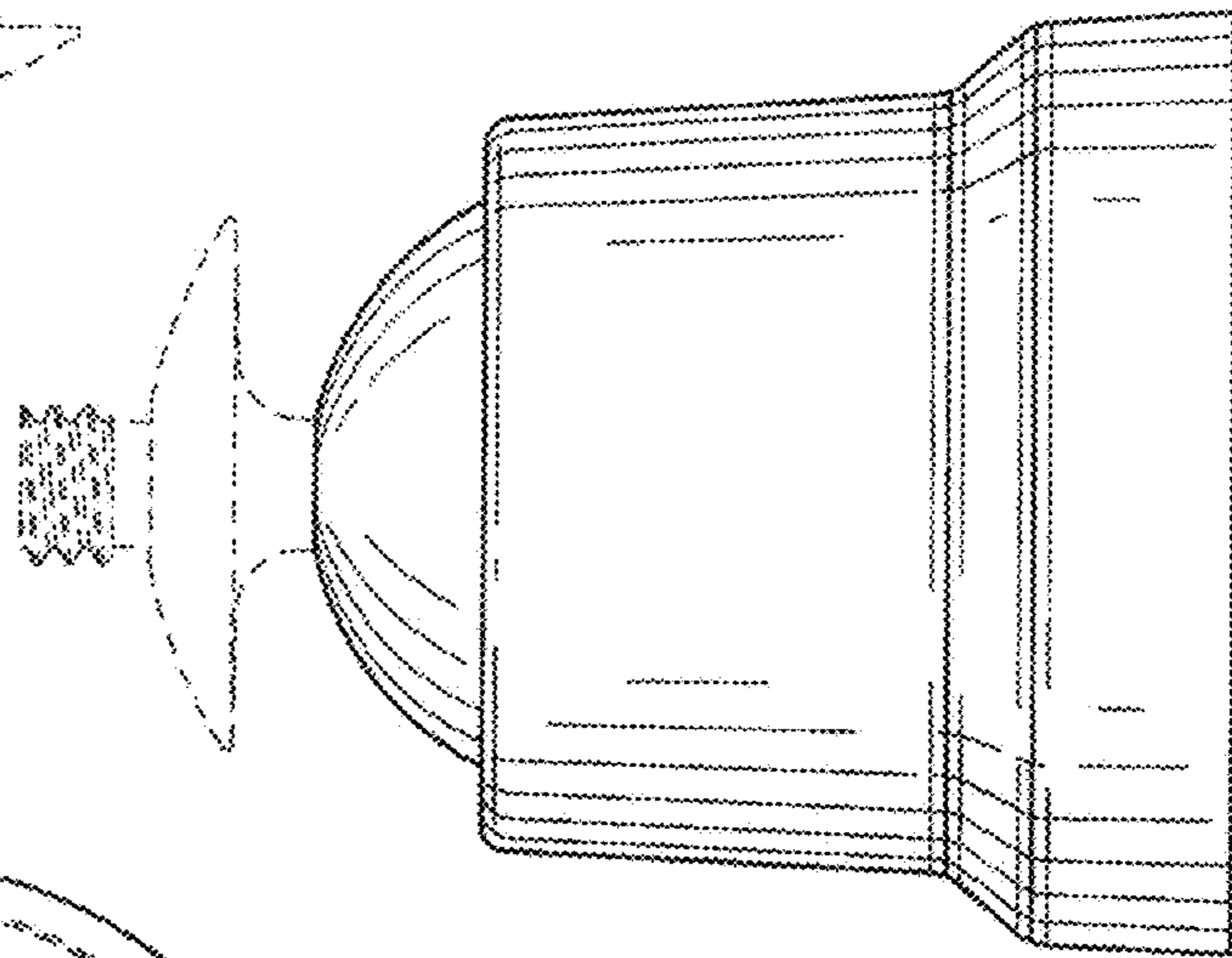


FIG. 4

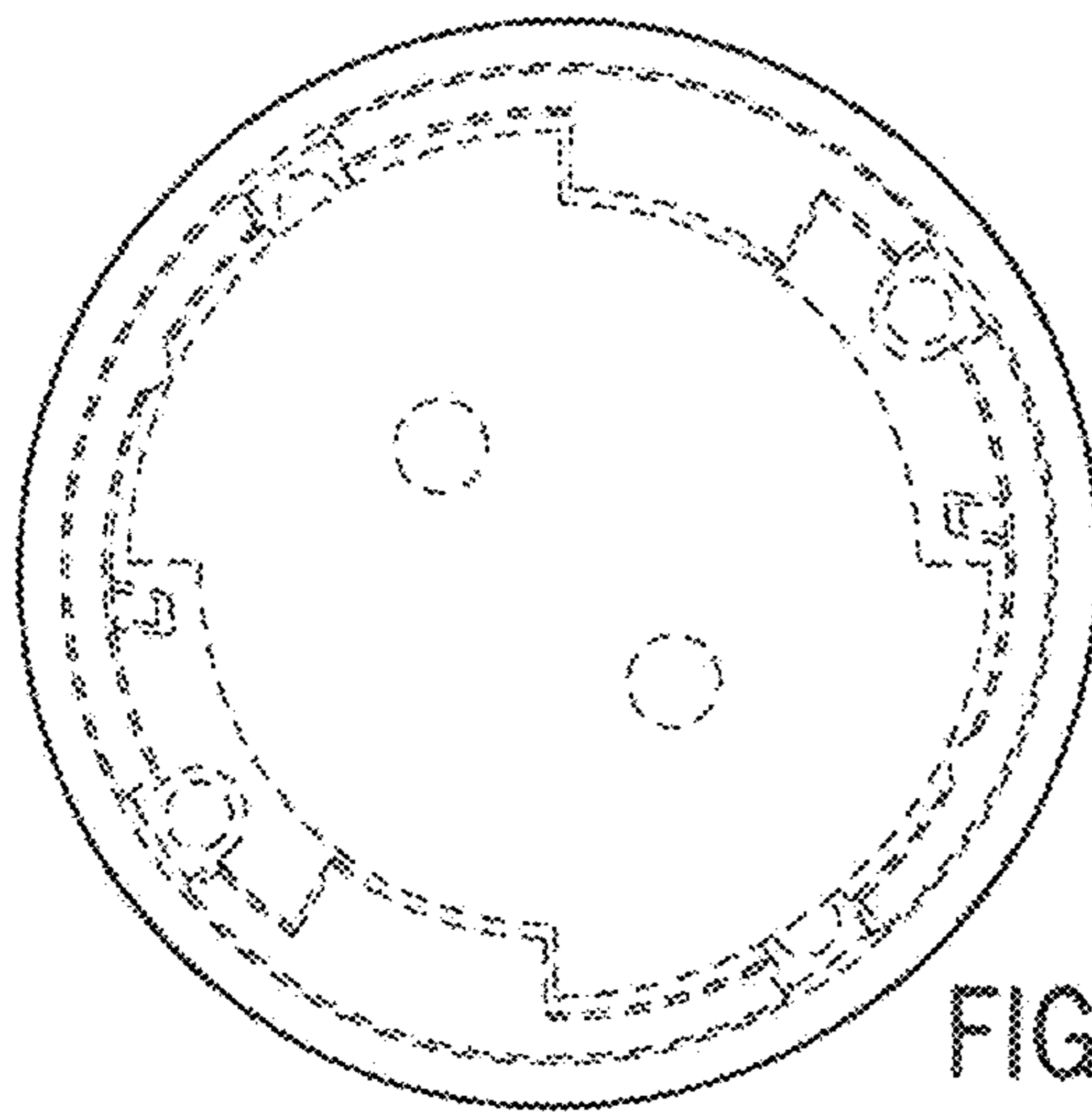


FIG. 5