



US00D823839S

(12) **United States Design Patent**  
**Emery**

(10) **Patent No.:** **US D823,839 S**

(45) **Date of Patent:** **\*\* Jul. 24, 2018**

(54) **ANTENNA COIL HOUSING**

(56) **References Cited**

(71) Applicant: **PROCOMM, INC. OF HOOPESTON, ILLINOIS**, Onarga, IL (US)

U.S. PATENT DOCUMENTS

(72) Inventor: **William M. Emery**

D442,168 S *	5/2001	Warner	.....	D14/231
D467,242 S *	12/2002	Warner	.....	D14/230
D577,301 S *	9/2008	Johnson	.....	D10/106.1
D686,929 S *	7/2013	Rainer	.....	D10/81
D692,332 S *	10/2013	Ni	.....	D10/106.1
9,488,747 B2 *	11/2016	Olsson	.....	G01V 3/104
D790,514 S *	6/2017	Woodward	.....	D10/65

(73) Assignee: **ProComm, Inc. of Hoopeston, Illinois**, Onarga, IL (US)

(\*\*) Term: **15 Years**

\* cited by examiner

(21) Appl. No.: **35/001,077**

*Primary Examiner* — Michael A. Pratt

(22) Filed: **Sep. 8, 2015**

(74) *Attorney, Agent, or Firm* — Singleton Law Firm, P.C.

(80) **Hague Agreement Data**

Int. Filing Date: **Sep. 8, 2015**  
Int. Reg. No.: **DM/091883**  
Int. Reg. Date: **Sep. 8, 2015**  
Int. Reg. Pub. Date: **Aug. 5, 2016**

(57) **CLAIM**

The ornamental design for an antenna coil housing, as shown and described.

(51) **LOC (11) Cl.** ..... **14-03**

(52) **U.S. Cl.**  
USPC ..... **D14/230**

**DESCRIPTION**

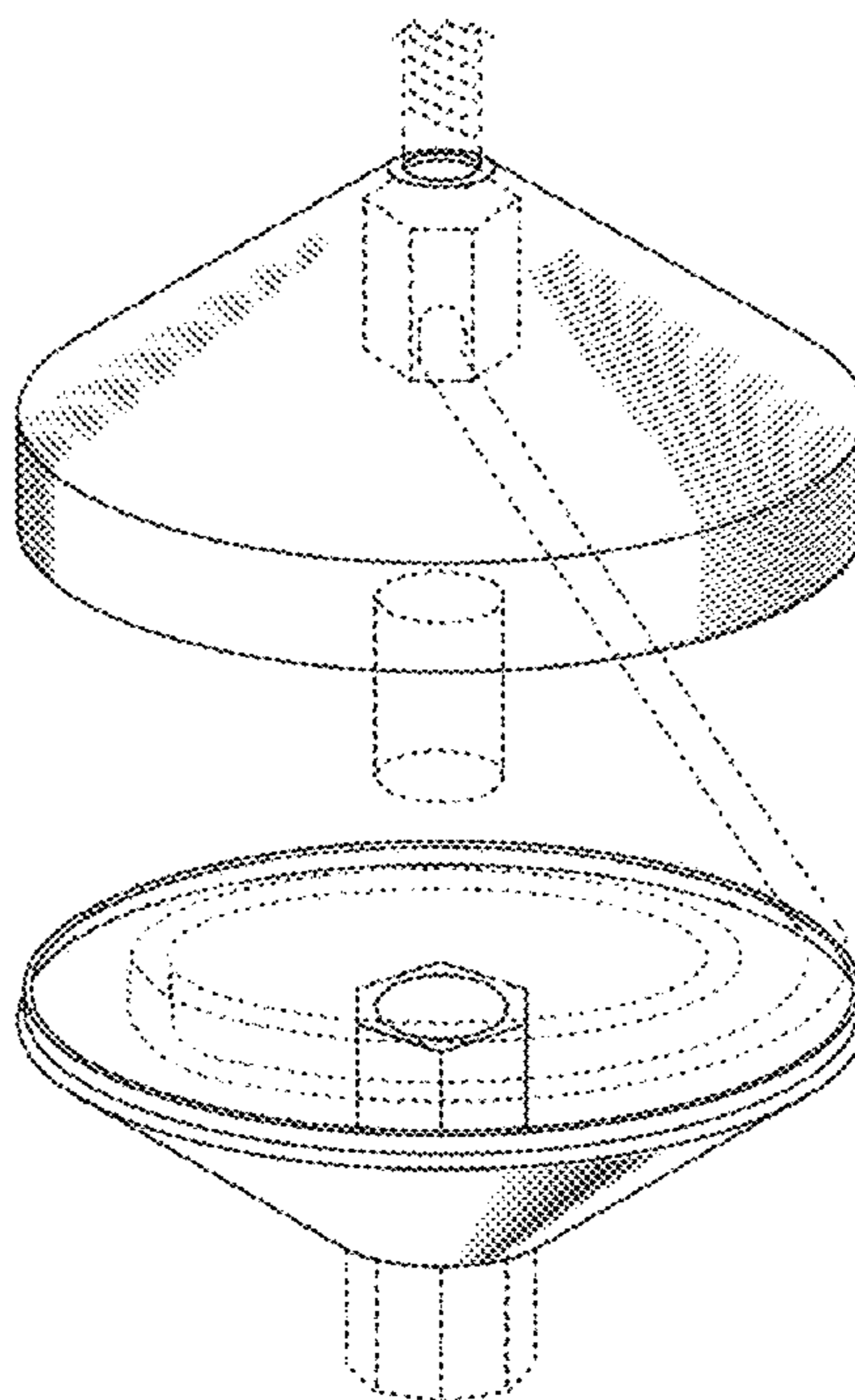
(58) **Field of Classification Search**  
USPC ..... D14/459-460, 344, 203.5, 238; D10/47, D10/65, 70, 80, 106.1, 106.2, 106.5, D10/140.1, 121; D16/2  
CPC ..... H01Q 7/00; H01Q 13/10; H01Q 9/285; H01Q 3/44; H01Q 19/30; H01Q 19/12; H01Q 1/38; H01Q 1/243; H01Q 1/273; H01Q 1/3275; H01Q 1/1271; H01Q 1/125

- 1. Antenna coil housing
- 1.1 : Perspective
- 1.2 : Front
- 1.3 : Bottom view of upper element
- 1.4 : Top view of lower element
- 1.5 : Sectional view
- 1.6 : Sectional view

The broken line showing in figures 1.1, 1.5 and 1.6 is for the purpose of illustrating portions of the antenna coil housing and forms no part of the claimed design.

See application file for complete search history.

**1 Claim, 6 Drawing Sheets**



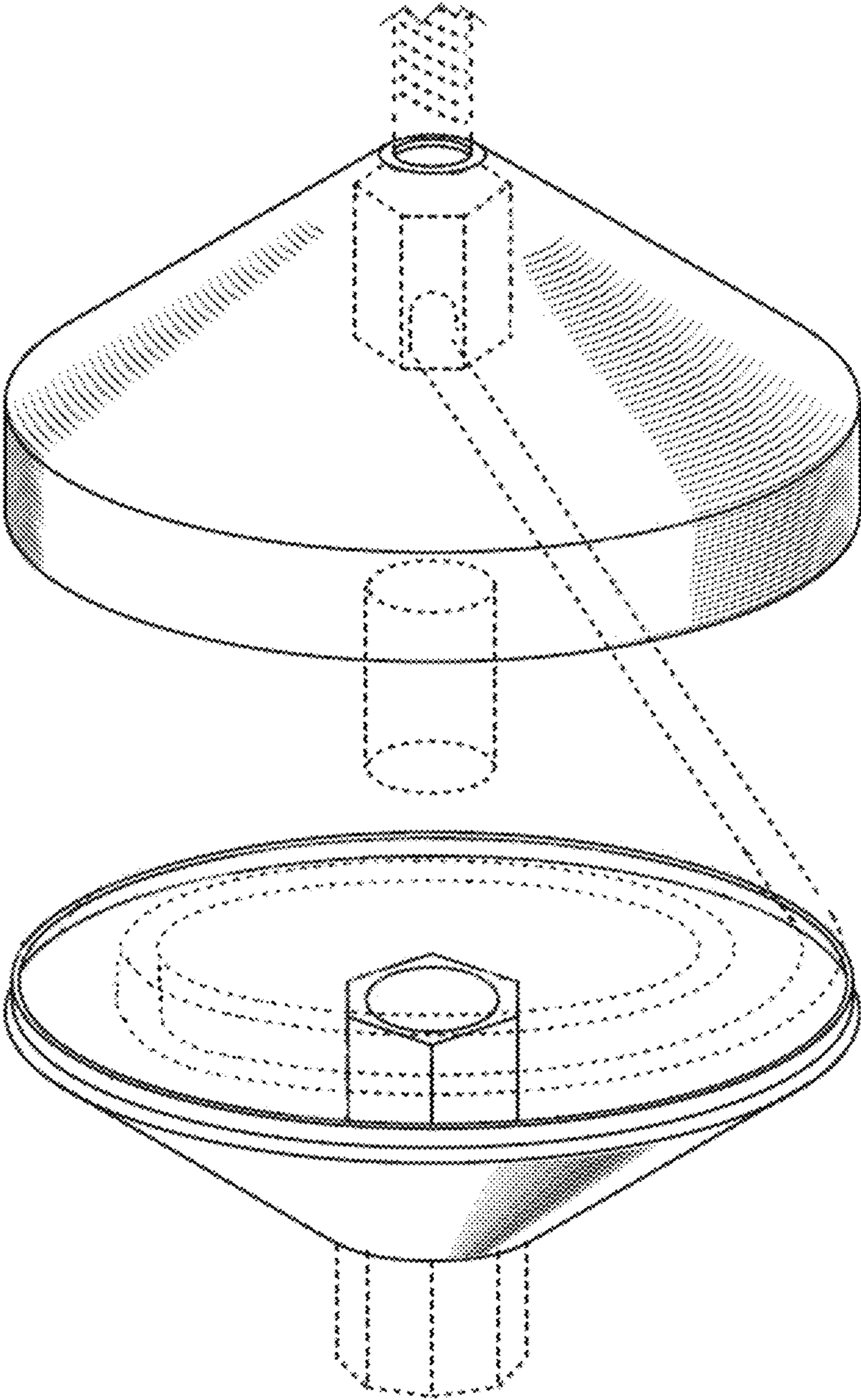
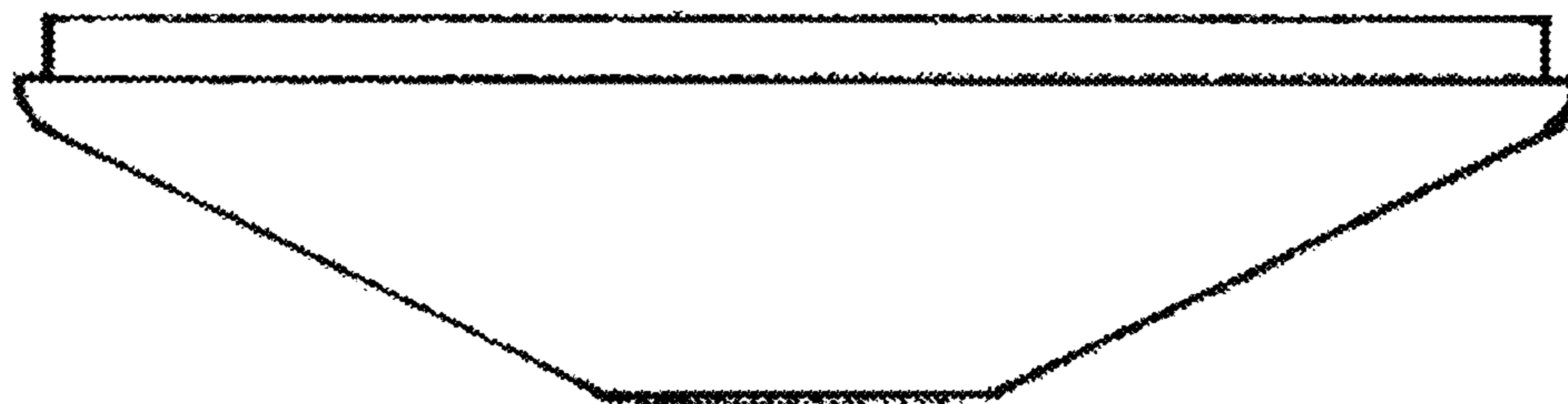
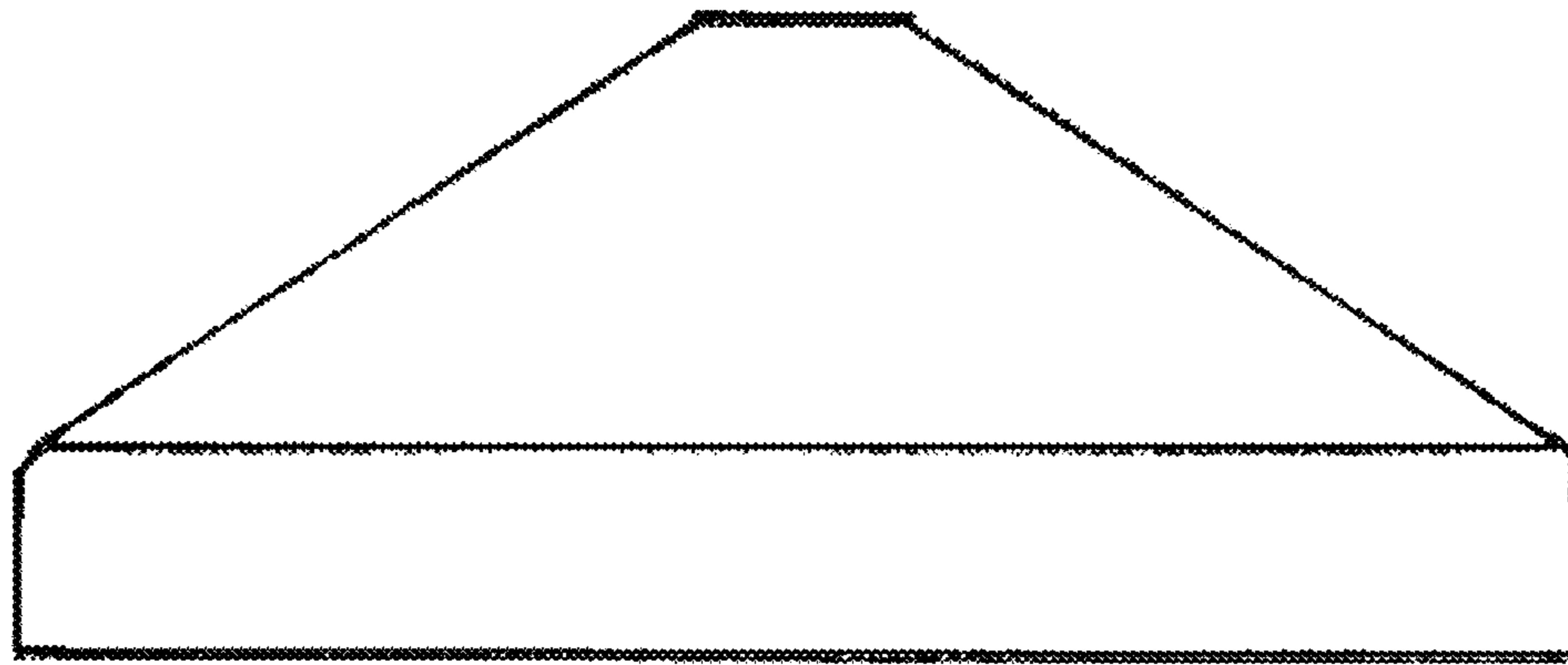
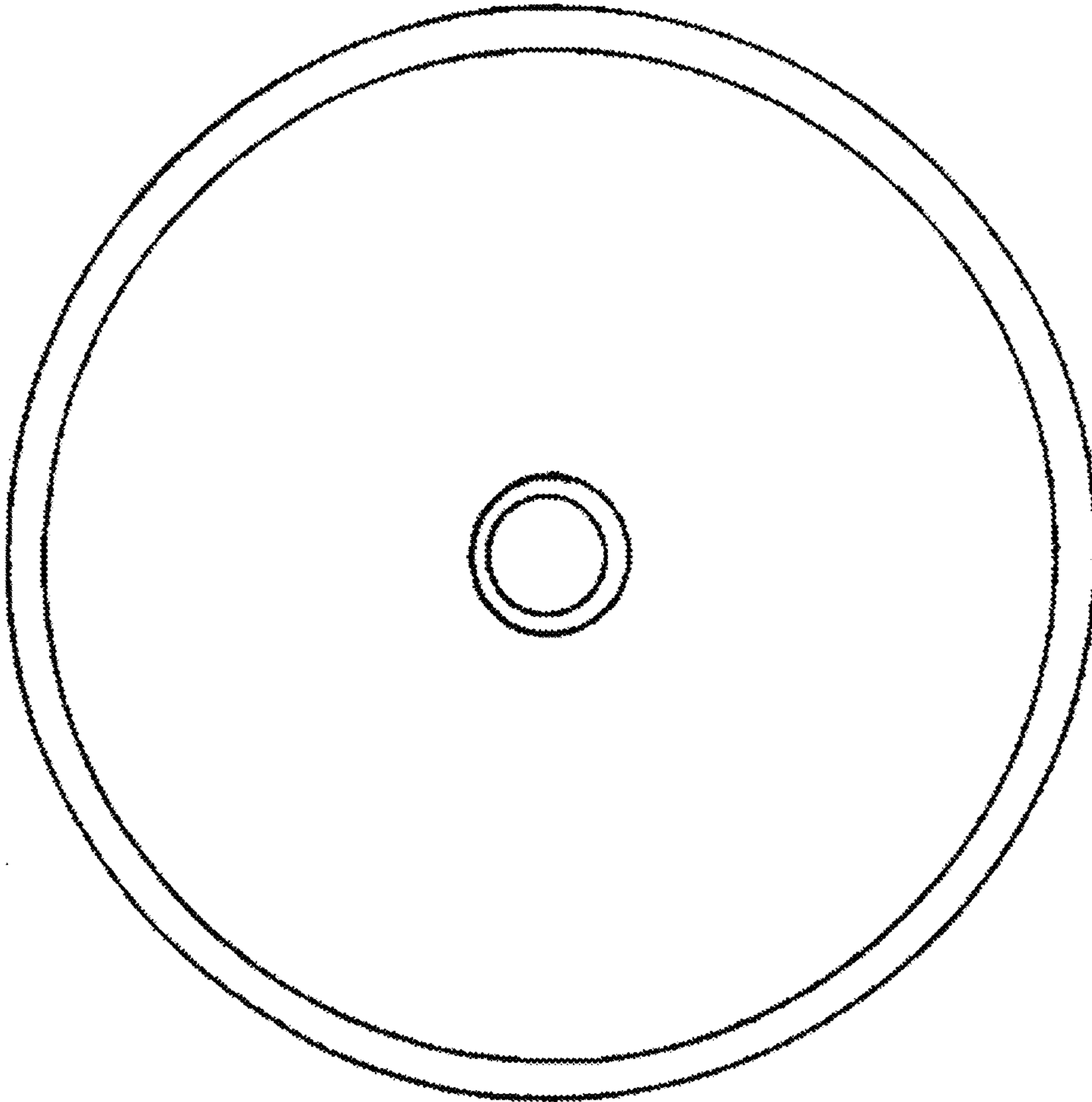


FIG. 1.1

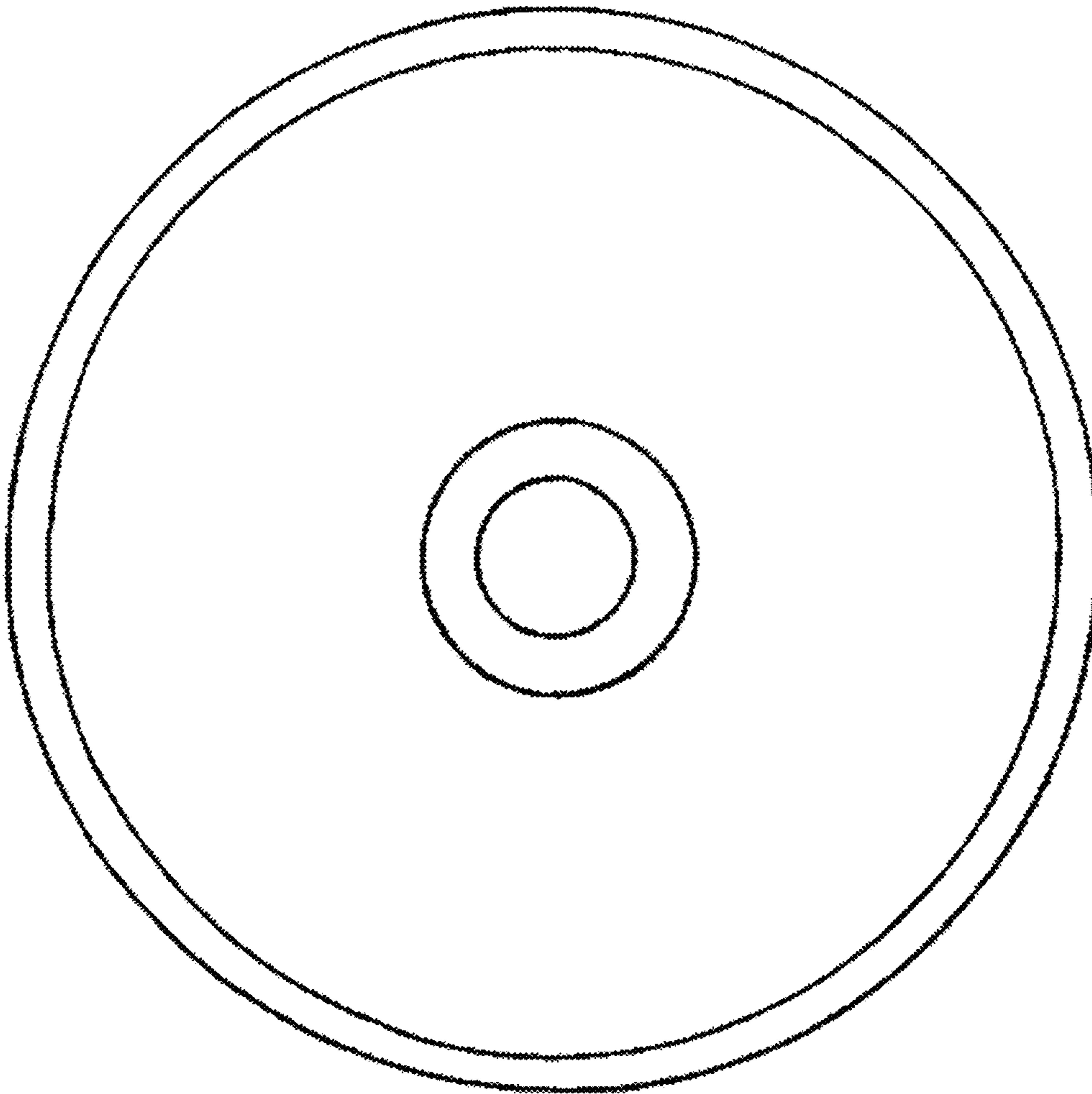
1.2



1.3



1.4





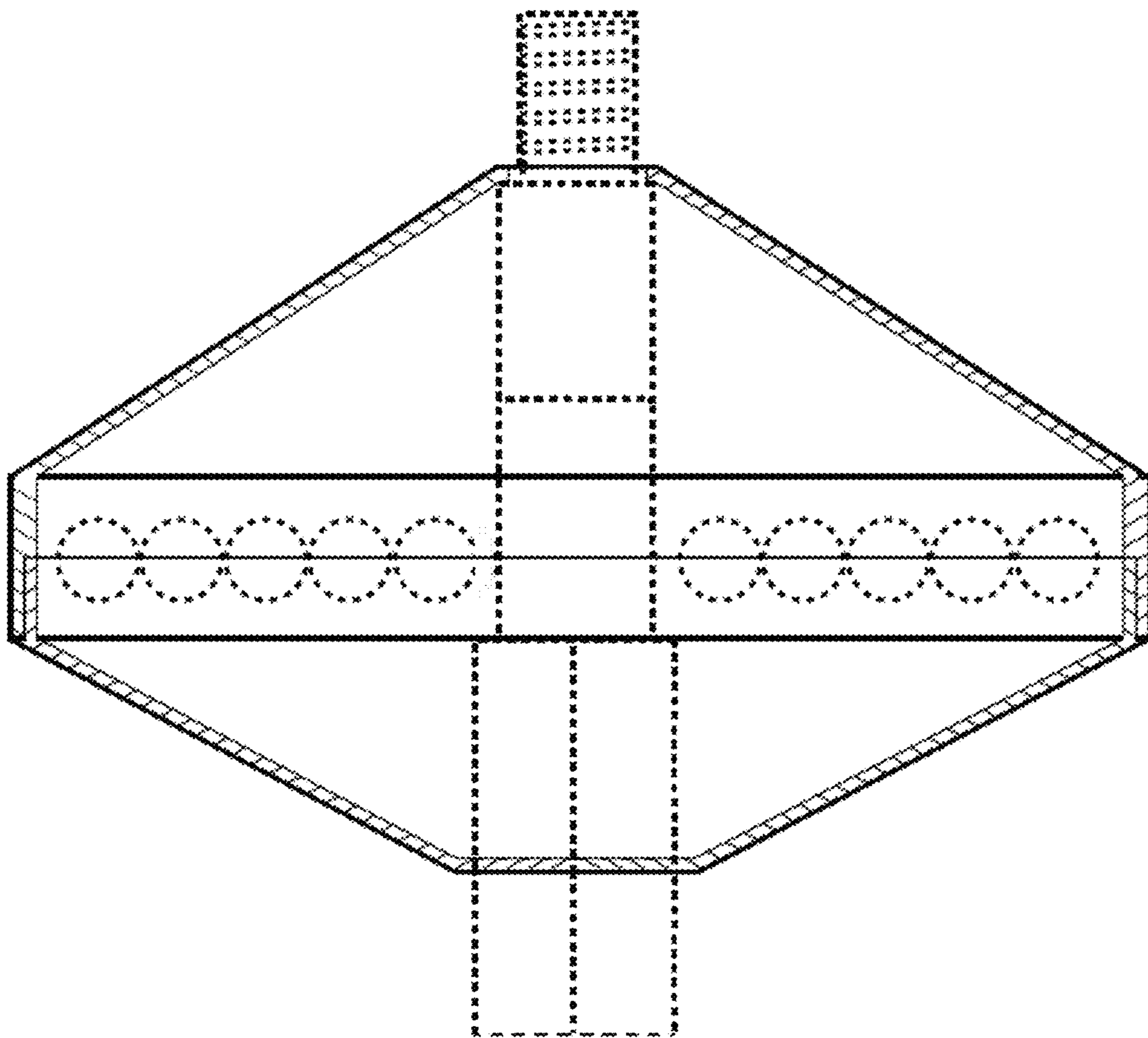


FIG. 1.5

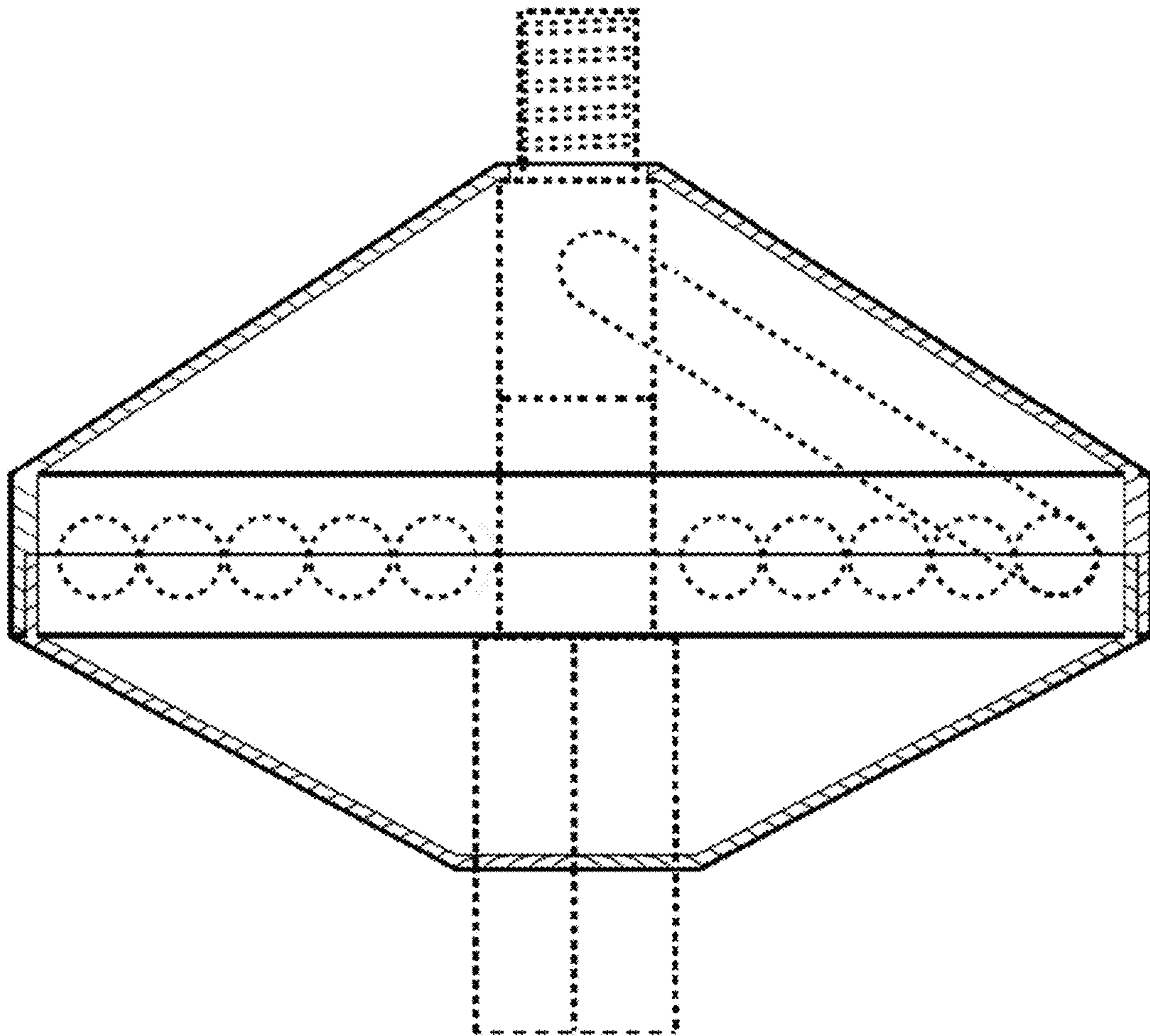


FIG. 1.6