



US00D823836S

(12) **United States Design Patent**
Eaton

(10) **Patent No.:** **US D823,836 S**

(45) **Date of Patent:** **** Jul. 24, 2018**

(54) **MICROPHONE CLIP**

(71) Applicant: **Robert Bosch GmbH**, Stuttgart (DE)

(72) Inventor: **Robert Lee Eaton**, Shakopee, MN (US)

(73) Assignee: **Robert Bosch GmbH**, Stuttgart (DE)

(**) Term: **15 Years**

(21) Appl. No.: **29/558,482**

(22) Filed: **Mar. 18, 2016**

(51) **LOC (11) Cl.** **14-01**

(52) **U.S. Cl.**
USPC **D14/229; D14/217**

(58) **Field of Classification Search**
USPC D14/188, 192, 206, 240, 154, 155, 158,
D14/159, 217, 218, 225–229, 496, 497;
D17/10, 22, 24, 99; D3/14, 217, 232,
D3/246, 294, 307, 318, 327, 328.1;
D8/25, 52, 62, 83, 89, 97, 105, 107, 302,
D8/316, 356, 367, 376, 57; D22/109;
D9/447, 448, 456, 531
CPC H04R 1/083; H04R 1/08; H04R 2420/07;
H04R 1/406; H04R 9/08; H04R 1/342;
H04R 31/006; H04R 3/005; H04R 19/04
See application file for complete search history.

(56) **References Cited**

U.S. PATENT DOCUMENTS

3,573,401	A *	4/1971	Lininger	H04R 1/08 248/121
D223,226	S *	4/1972	Fogg	30/253
4,089,113	A *	5/1978	Moritz	B26B 13/00 30/253
D258,798	S *	4/1981	Ferguson	D8/5
D275,726	S *	10/1984	Cleminshaw	D8/25
4,593,596	A *	6/1986	Gauger	G10D 13/026 84/421
4,788,724	A *	12/1988	Lazzeroni	A42B 3/30 2/422
D302,158	S *	7/1989	Kubota	D14/225

(Continued)

OTHER PUBLICATIONS

Zing Anything CZGSP Citrus Zinger Sport Cap, date first available Oct. 24, 2014, site visited Nov. 14, 2017, Copyright © 1996-2017, Available from Internet, <https://www.amazon.com/Zing-Anything-CZGSP-Citrus-Zinger/dp/B00OUNUADU/ref=sr_1_59?ie=UTF8&qid=1510693794&sr=8-59&keywords=finger+loop+plastic+cap>.*

(Continued)

Primary Examiner — Cathron C Brooks

Assistant Examiner — Sharon S Oum

(74) *Attorney, Agent, or Firm* — Michael Best & Friedrich LLP

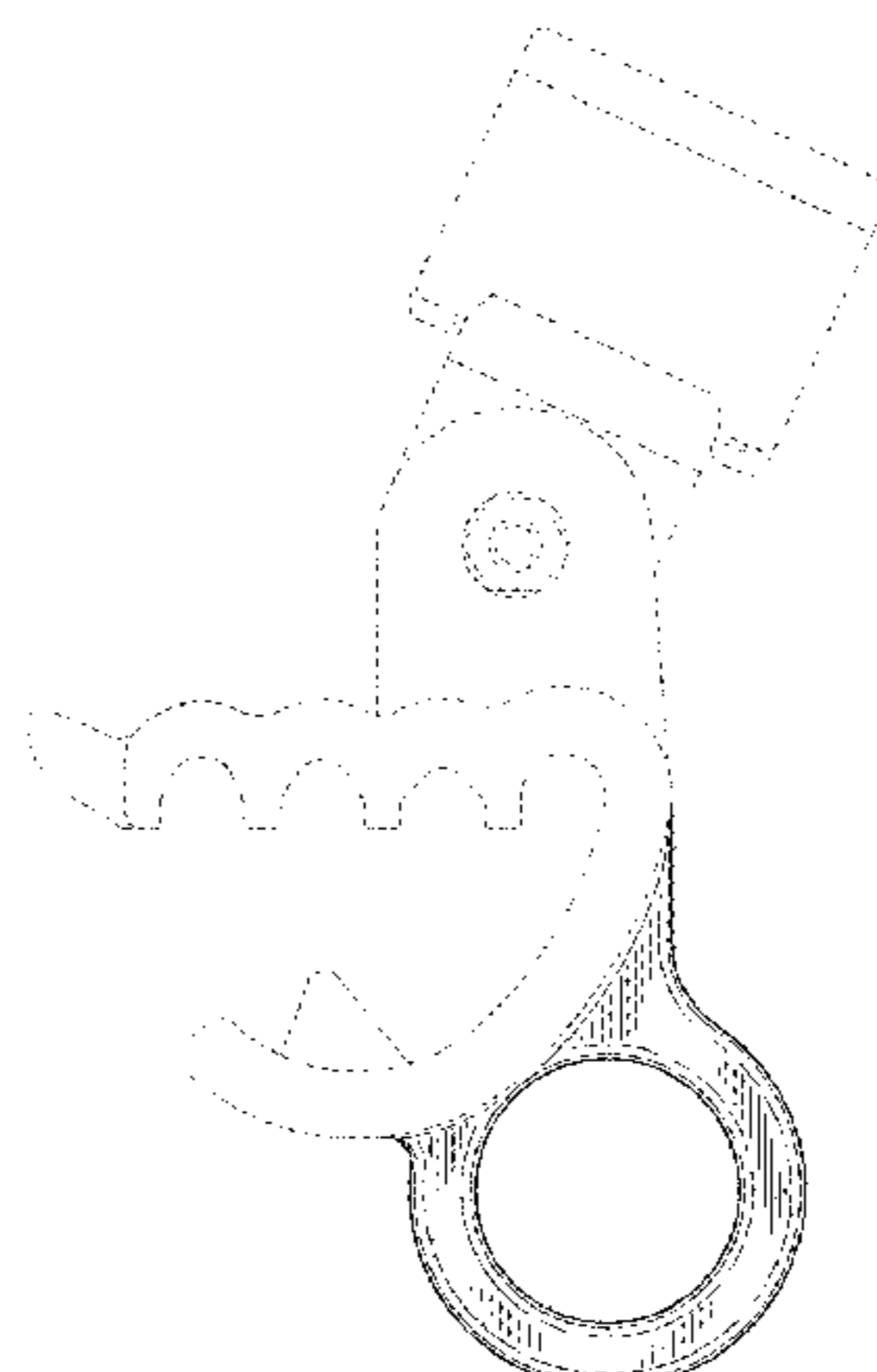
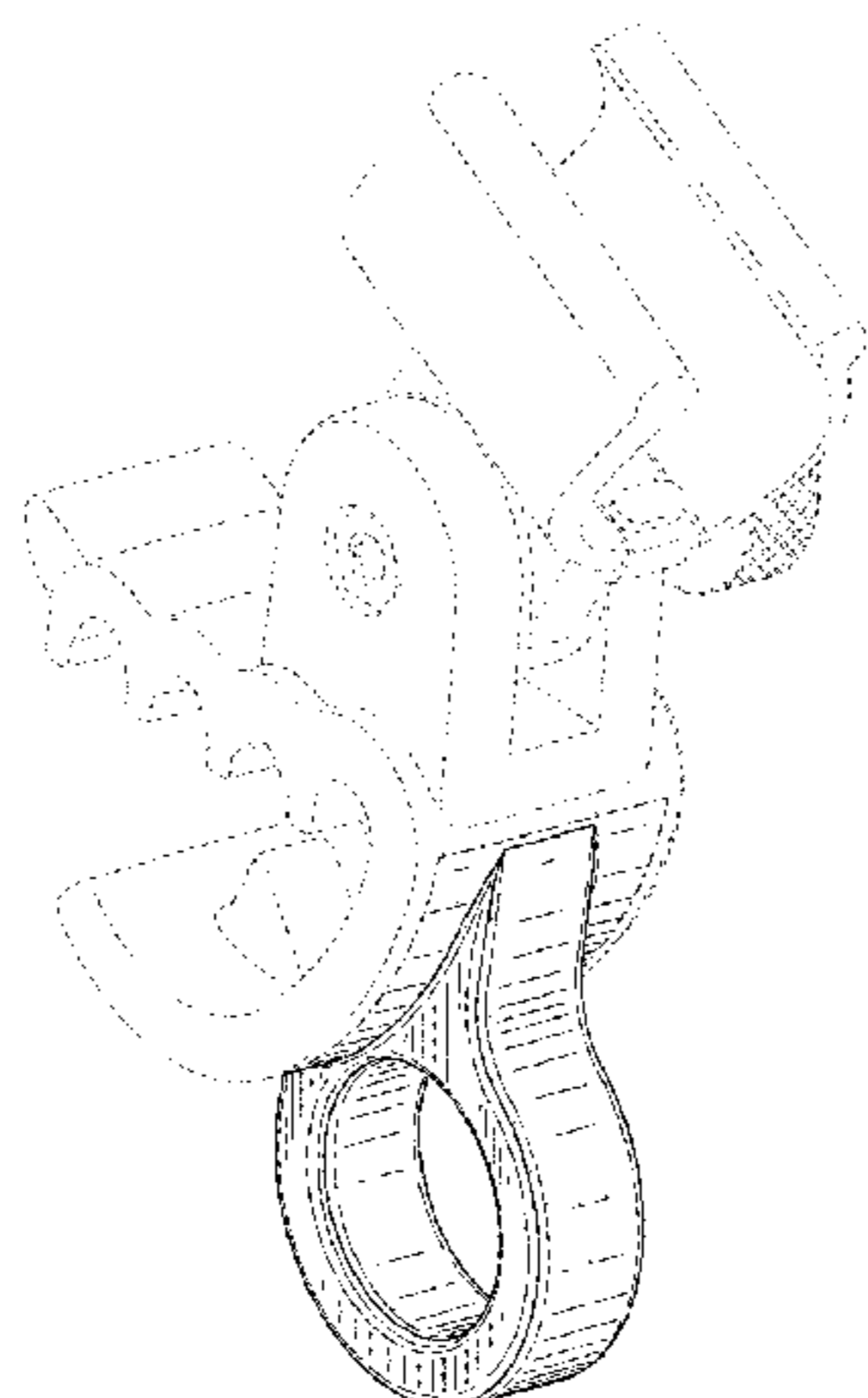
(57) **CLAIM**

I claim the ornamental design for a microphone clip, as shown and described.

DESCRIPTION

FIG. 1 is a perspective view of a microphone clip.
FIG. 2 is a side view of the microphone clip of FIG. 1.
FIG. 3 is an opposite side view of the microphone clip of FIG. 1.
FIG. 4 is a front view of the microphone clip of FIG. 1.
FIG. 5 is a rear view of the microphone clip of FIG. 1.
FIG. 6 is a top view of the microphone clip of FIG. 1; and, FIG. 7 is a bottom view of the microphone clip of FIG. 1.
In the drawings, the evenly-spaced broken lines disclose environmental subject matter only and form no part of the claimed design. The alternating dash-dot-dash lines represent boundaries of the claimed design, the claimed design extending to the boundary but not including the boundary. The dash-dot-dash lines provide a boundary around a claimed finger loop portion of the microphone clip.

1 Claim, 6 Drawing Sheets



(56)

References Cited

U.S. PATENT DOCUMENTS

- D305,026 S * 12/1989 Wolf D14/229
D310,083 S * 8/1990 Lazzeroni D14/225
D314,969 S * 2/1991 Nakayama D17/22
D329,970 S * 10/1992 Lee D8/25
D355,830 S * 2/1995 Pecora D8/107
D373,902 S * 9/1996 Wang D3/318
D374,805 S * 10/1996 Moffatt D7/394
5,581,031 A * 12/1996 Blankenship, Jr. .. G10D 13/003
84/422.4
D385,174 S * 10/1997 Kawai D8/107
D394,799 S * 6/1998 Underhill D8/367
D413,602 S * 9/1999 Chen D14/227
D422,788 S * 4/2000 Carr D3/307
6,061,457 A * 5/2000 Stockhamer H04R 1/00
367/140
D427,178 S * 6/2000 Cory D14/217
D451,779 S * 12/2001 du Sartel D3/318
D453,102 S * 1/2002 Postelwait D8/349
D467,241 S * 12/2002 Solland D14/210
D470,726 S * 2/2003 Kautzky D14/229
D483,795 S * 12/2003 Morgan D17/99
D497,646 S * 10/2004 Danon D19/73
6,842,528 B2 * 1/2005 Kuerti H04R 3/002
381/361
D502,636 S * 3/2005 Phillips D8/107
D505,016 S * 5/2005 Hay D4/138
D526,880 S * 8/2006 Ferman D8/107
D529,789 S * 10/2006 Klecker D8/356
D540,786 S * 4/2007 Hensen D14/228
D553,470 S * 10/2007 Chaconas D7/401.2
D566,501 S * 4/2008 De Stefano D8/57
D572,563 S * 7/2008 McRoberts D8/107
D580,262 S * 11/2008 Eason D17/22
D592,509 S * 5/2009 Lecoutre D9/434
D604,139 S * 11/2009 Forsythe D8/105
D605,761 S * 12/2009 Stefan D24/133
D614,473 S * 4/2010 Freeman D8/107
D614,474 S * 4/2010 Edwards D23/311
D618,222 S * 6/2010 Kallas D14/229
D624,384 S * 9/2010 Su D8/89
D637,470 S * 5/2011 Vigil D8/107
D652,711 S * 1/2012 Lee D8/367
D654,054 S * 2/2012 Kohte F16M 11/041
D14/217
D654,339 S * 2/2012 Lewis D8/57
D661,342 S * 6/2012 Ridinger D17/99
- D671,815 S * 12/2012 Bauer D8/107
D676,734 S * 2/2013 Moreau D8/356
D686,483 S * 7/2013 Sullivan D8/302
D719,553 S * 12/2014 Noto D14/226
D732,009 S * 6/2015 Bak D14/229
D732,362 S * 6/2015 Nagaki D8/52
D737,639 S * 9/2015 Masalin D8/107
D745,494 S * 12/2015 Wise D14/227
D751,631 S * 3/2016 Montoya D16/334
D752,418 S * 3/2016 Stacey D8/367
D753,974 S * 4/2016 Chang D8/57
D768,461 S * 10/2016 Mirick D8/323
D773,925 S * 12/2016 Wadey D14/217
D775,271 S * 12/2016 Ridinger D14/188
D777,289 S * 1/2017 Cheng D22/109
D781,710 S * 3/2017 Kudrowitz D8/356
D789,758 S * 6/2017 Scimone D8/57
D796,286 S * 9/2017 Detz D8/57
D802,703 S * 11/2017 Perales D22/109

OTHER PUBLICATIONS

Tutorial: How to Make Hook & Ring Curtain Panels, date posted Aug. 10, 2013, site visited Nov. 14, 2017, Copyright © 2012-2013, Available from Internet, <<http://www.freshlyhandmade.com/2013/08/tutorial-how-to-make-hook-ring-curtain.html>>.*

Electro-Voice Launches New ND Series Microphones at NAMM 2016, date posted Jan. 21, 2016, site visited Nov. 14, 2017, Available from Internet, <<http://www.electrovoice.com/news-details.php?id=1765>>.*

Klean Kanteen Silicone Pint Cup Ring, date first reviewed Aug. 6, 2012, site visited Nov. 16, 2017, Copyright © 1996-2017, Available from Internet, <https://www.amazon.com/Klean-Kanteen-Silicone-Pint-Orange/dp/B00670A57Q/ref=cm_cr_arp_d_product_top?ie=UTF8&th=1>.*

EliteFTS 3" Cable Grenade Ball for Grip Strength, date first reviewed Jun. 28, 2013, site visited Nov. 14, 2017, Copyright © 1996-2017, Available from Internet, <<https://www.amazon.com/EliteFTS-Cable-Grenade-Ball-Strength/dp/B00AGYGQ58>>.*

Sennheiser e604 mic with drum clip, publicly available prior to Mar. 18, 2016.

Samson DMC100 Drum Microphone Clip, publicly available prior to Mar. 18, 2016.

Electro-Voice DRC-1 Drum Clip, publicly available prior to Mar. 18, 2016.

* cited by examiner

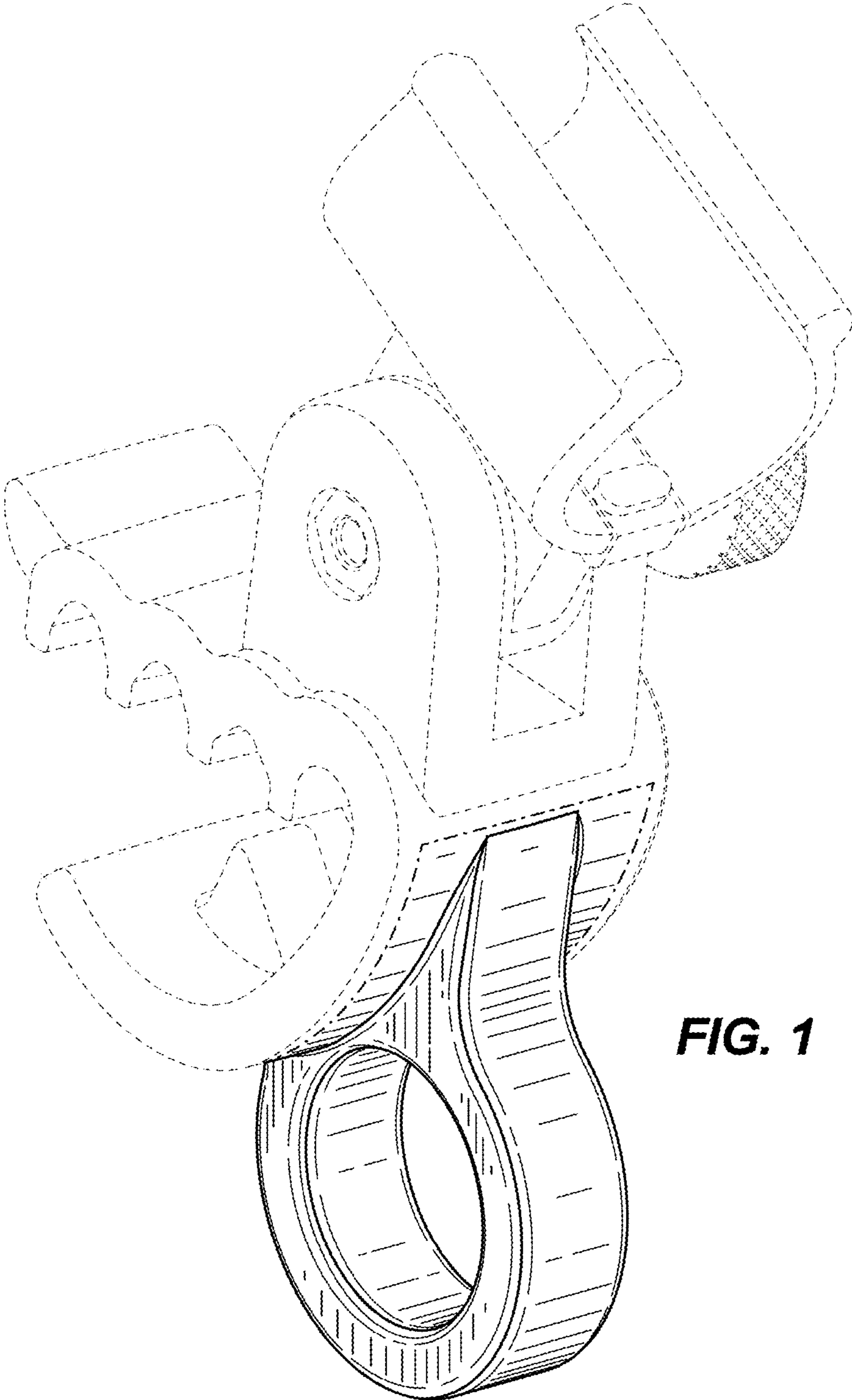


FIG. 1

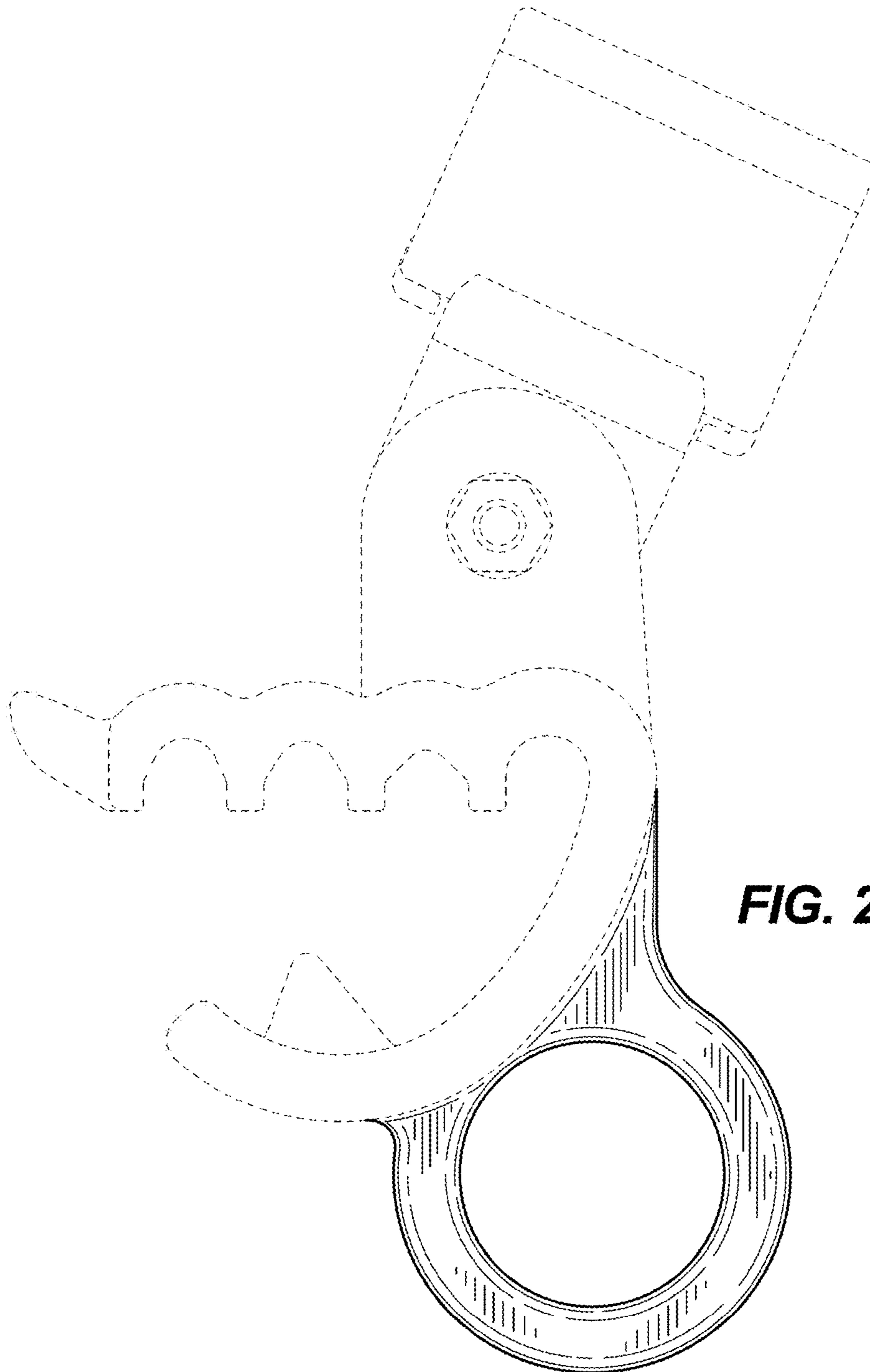


FIG. 2

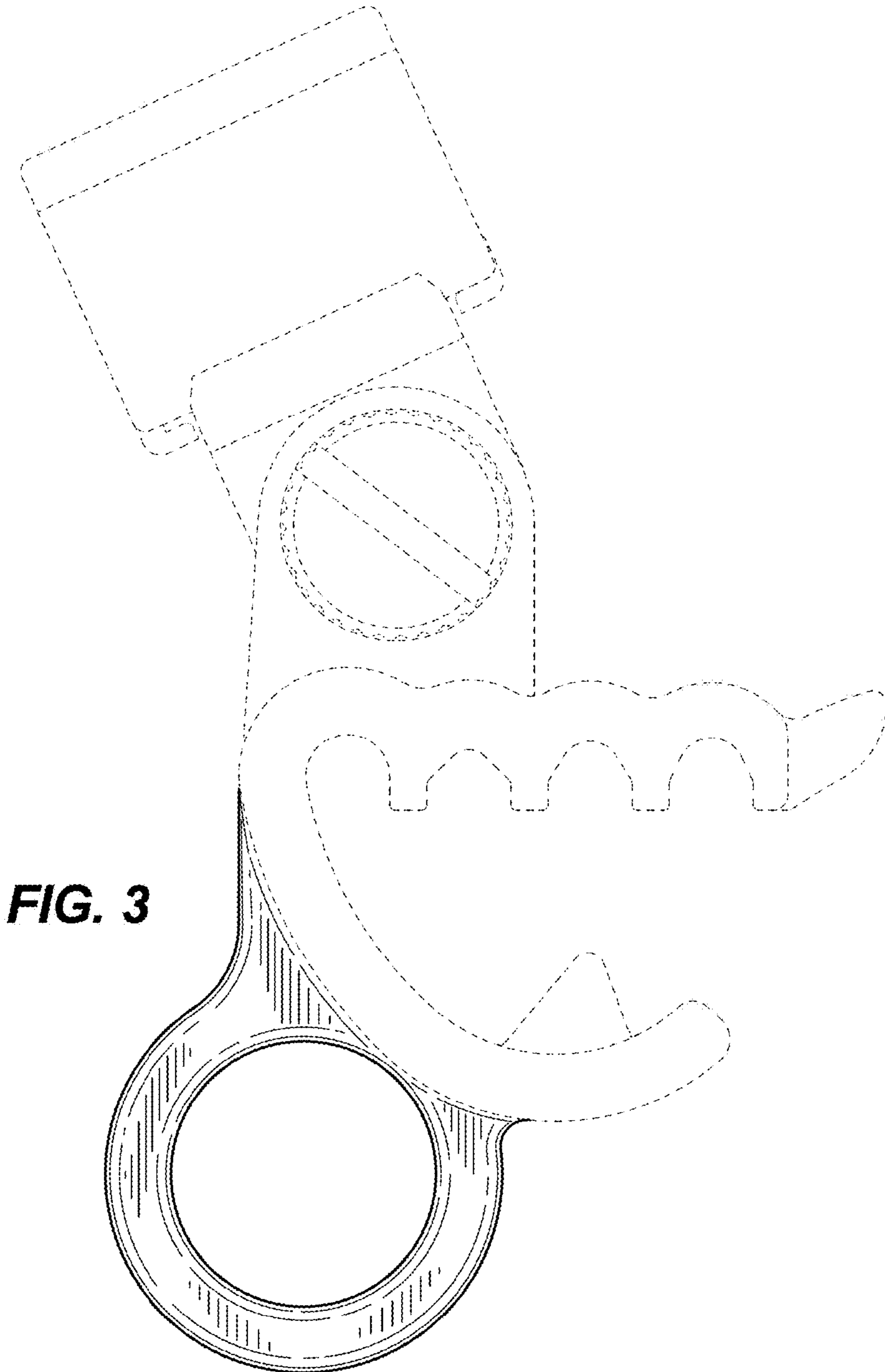


FIG. 3

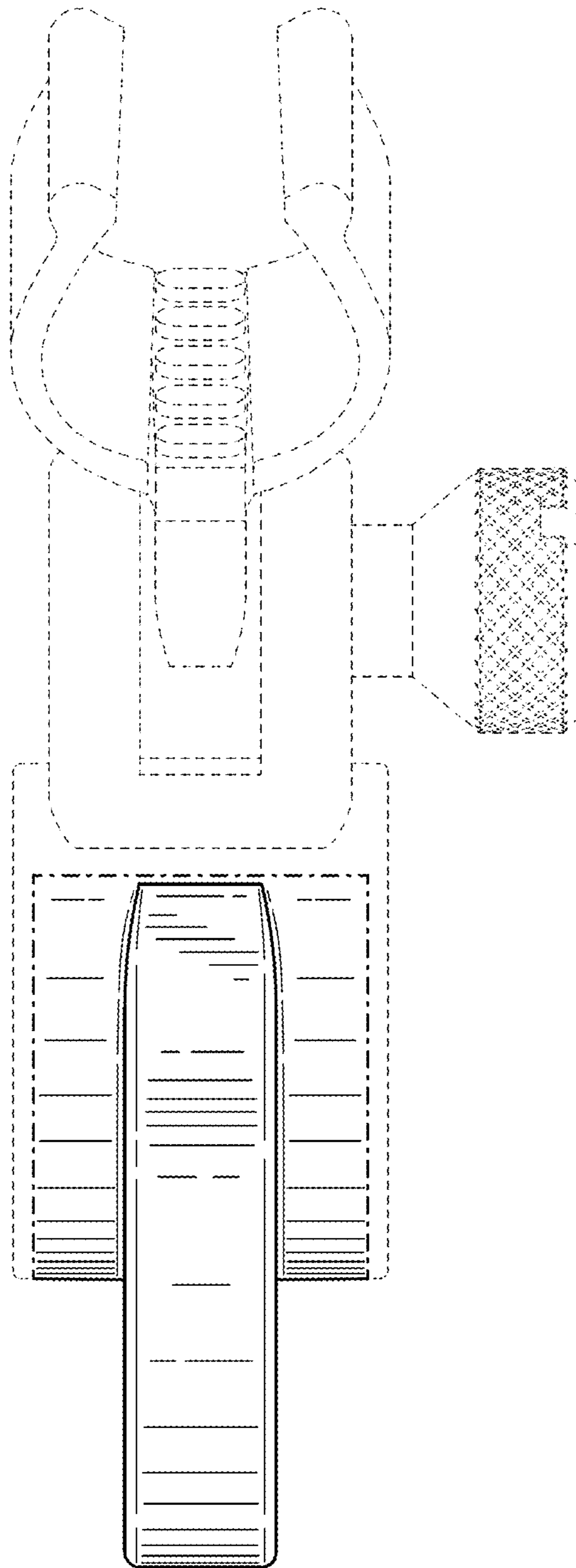


FIG. 4

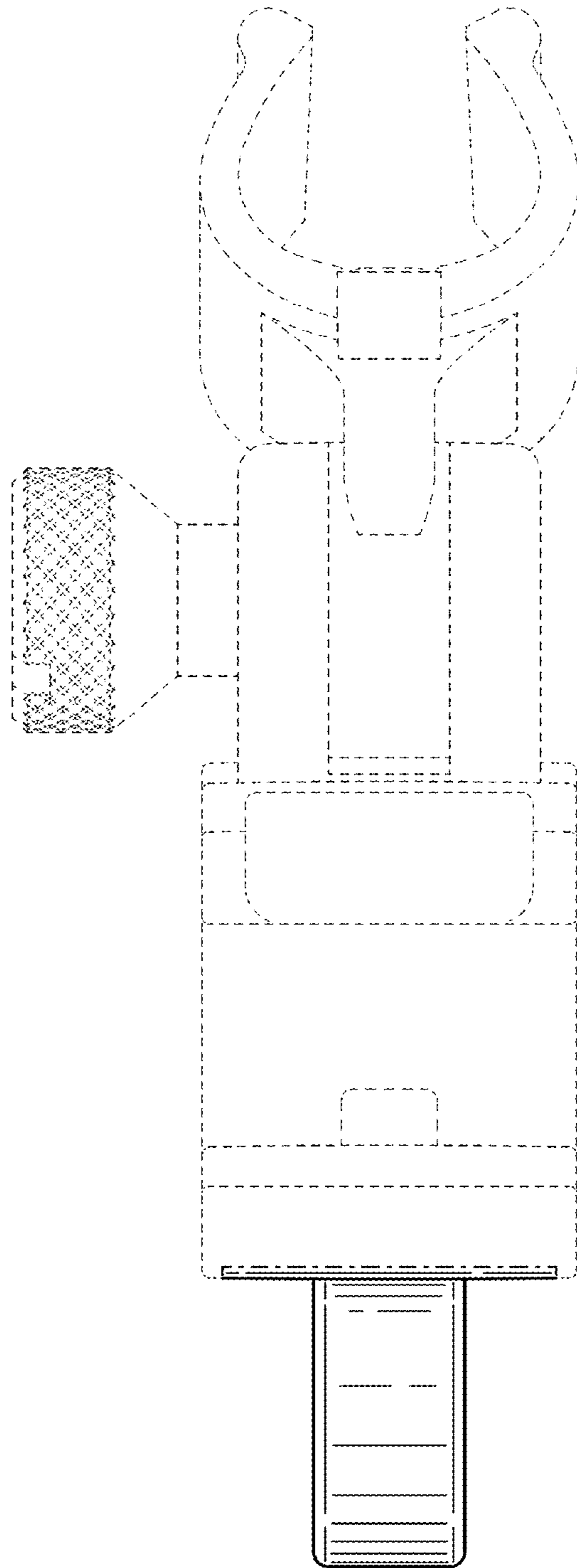


FIG. 5

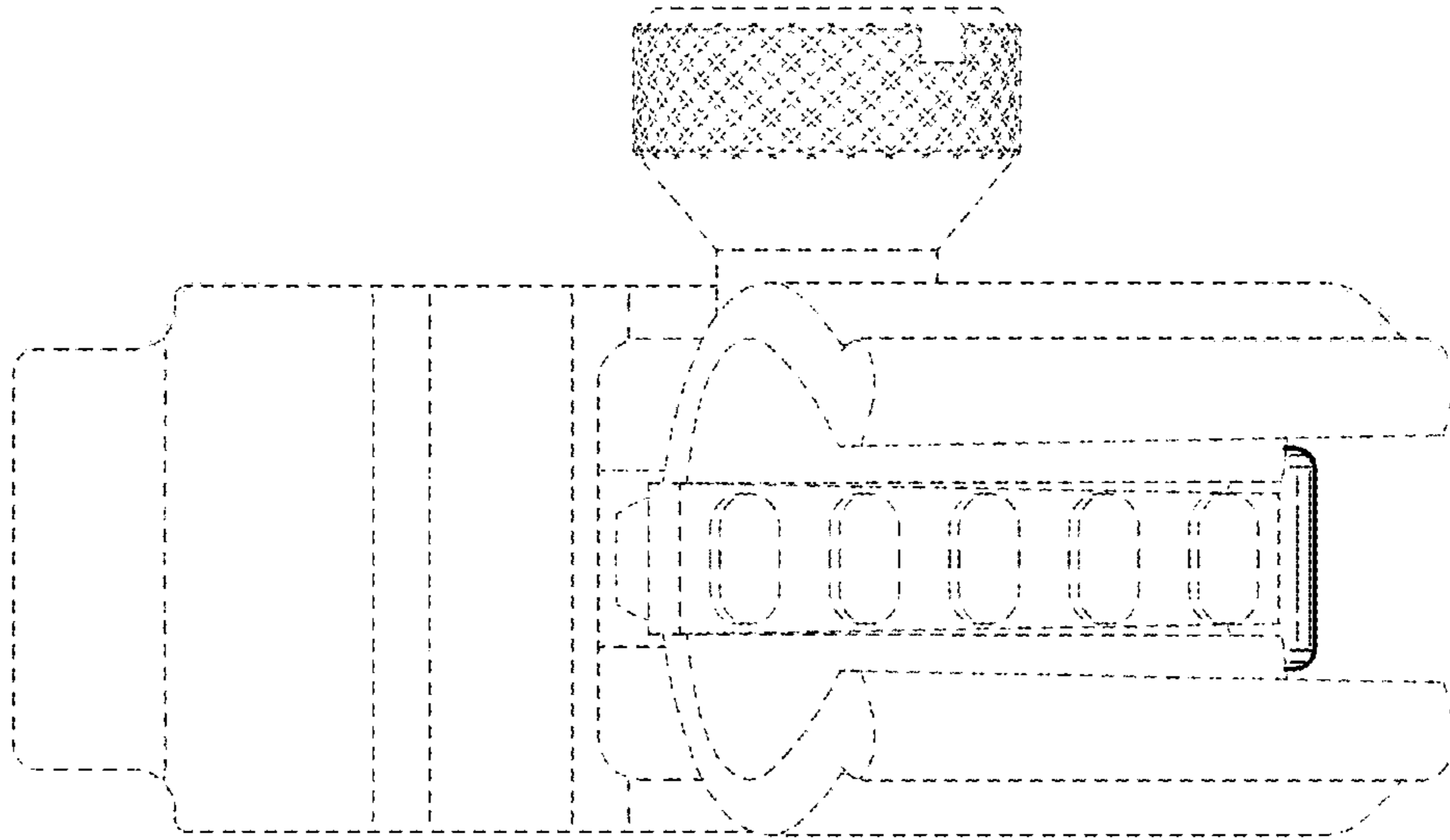


FIG. 6

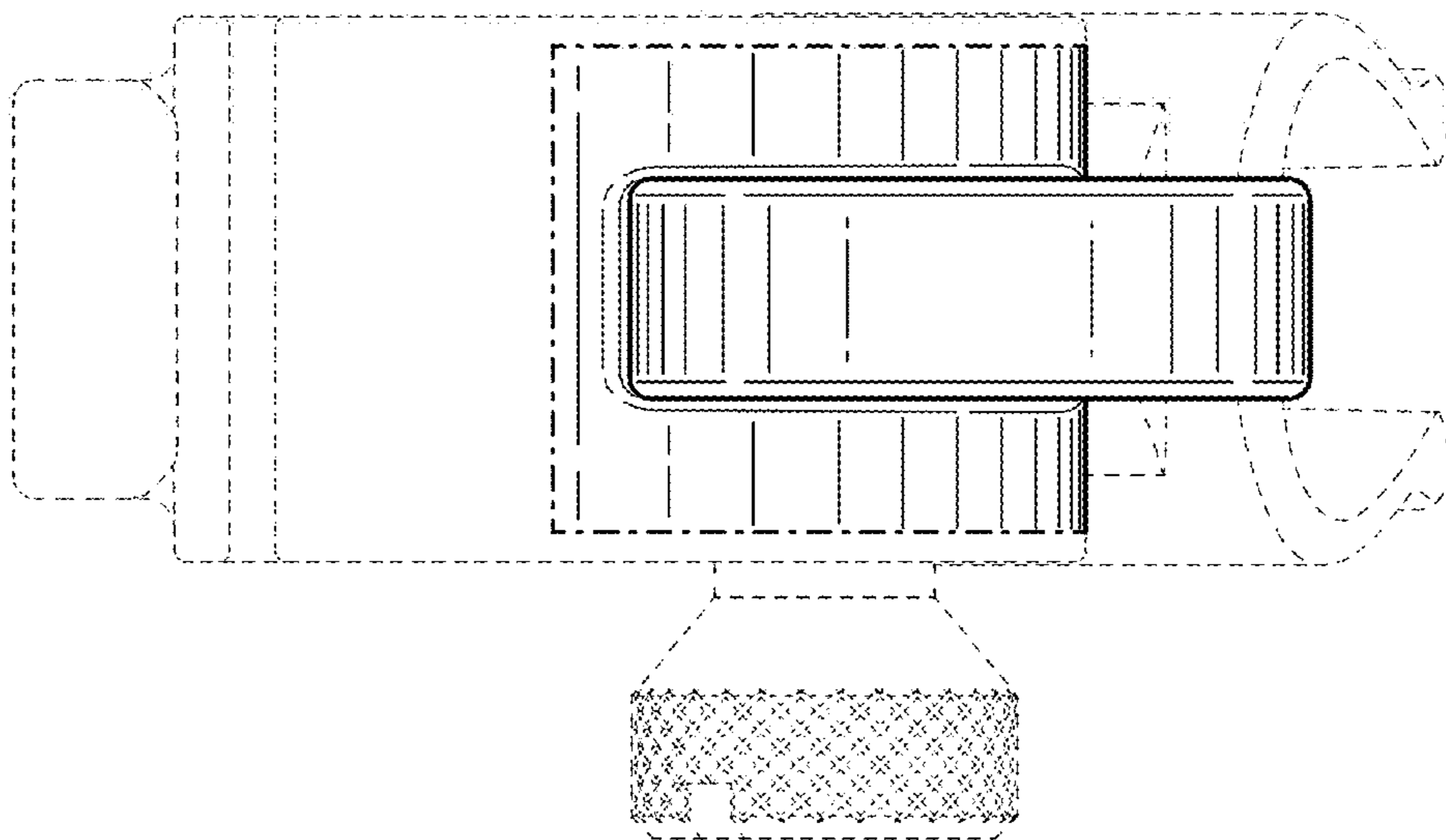


FIG. 7