



US00D823833S

(12) **United States Design Patent**
Shiono et al.

(10) **Patent No.:** **US D823,833 S**
(45) **Date of Patent:** **** Jul. 24, 2018**

(54) **COMBINED LIGHT AND SPEAKER**

(71) Applicant: **Sony Corporation**, Tokyo (JP)

(72) Inventors: **Daisuke Shiono**, Tokyo (JP); **Yohei Fukuma**, Chiba (JP); **Nobukazu Suzuki**, Kanagawa (JP)

(73) Assignee: **SONY CORPORATION**, Tokyo (JP)

(**) Term: **15 Years**

(21) Appl. No.: **29/541,760**

(22) Filed: **Oct. 7, 2015**

(51) **LOC (11) Cl.** **14-03**

(52) **U.S. Cl.**
USPC **D14/216**

(58) **Field of Classification Search**
USPC D14/167, 168, 170–172, 188, 194–196, D14/204, 207, 209.1, 210–216, 219, 221, D14/222, 224, 239, 496; 181/143, 144, 181/147, 148, 150, 153, 157, 198, 199; 381/300–303, 306, 332, 333, 336, 345, 381/361–364, 386–388; 369/6–12; D26/37, 38, 42, 51, 52
CPC B60R 11/0217; G06F 1/1688; G10K 9/22; G10K 11/004; H03F 1/327; H04M 1/03; H04M 1/035; H04N 5/642; H04N 21/4852; H04R 1/02; H04R 1/06; H04R 1/021; H04R 1/025; H04R 1/026; H04R 1/028; H04R 1/105; H04R 1/323; H04R 1/403; H04R 1/2803; H04R 1/2834; H04R 5/02; H04R 7/20; H04R 9/06; H04R 9/025; H04R 2201/021; H04R 2400/00; H04R 2400/07; H04R 2499/11; H04R 2499/13; H04R 2499/15; H04S 3/00; H04S 7/30

See application file for complete search history.

(56) **References Cited**

U.S. PATENT DOCUMENTS

D508,042 S * 8/2005 Oikawa D14/214
D568,292 S * 5/2008 Tsuge D14/211

D753,725 S * 4/2016 Palmer, Jr. D14/203.1
D765,898 S * 9/2016 Caito D26/42
D766,213 S * 9/2016 Hinokio D14/216
D770,418 S * 11/2016 Hong D14/216
D771,019 S * 11/2016 Lee D14/216
D780,160 S * 2/2017 Hinokio D14/215

(Continued)

FOREIGN PATENT DOCUMENTS

JP 1305326 S 7/2007
JP 1313162 S 10/2007

(Continued)

OTHER PUBLICATIONS

“Juketower Waterproof MP3 Player, Product Spec.”, Website, www.noritz.co.jp/product/juke/jt/product_speck, Aug. 2015, 2 sheets, Noritz Corporation, Japan.

Primary Examiner — Keli L Hill

(74) *Attorney, Agent, or Firm* — Michael Best and Friedrich LLP

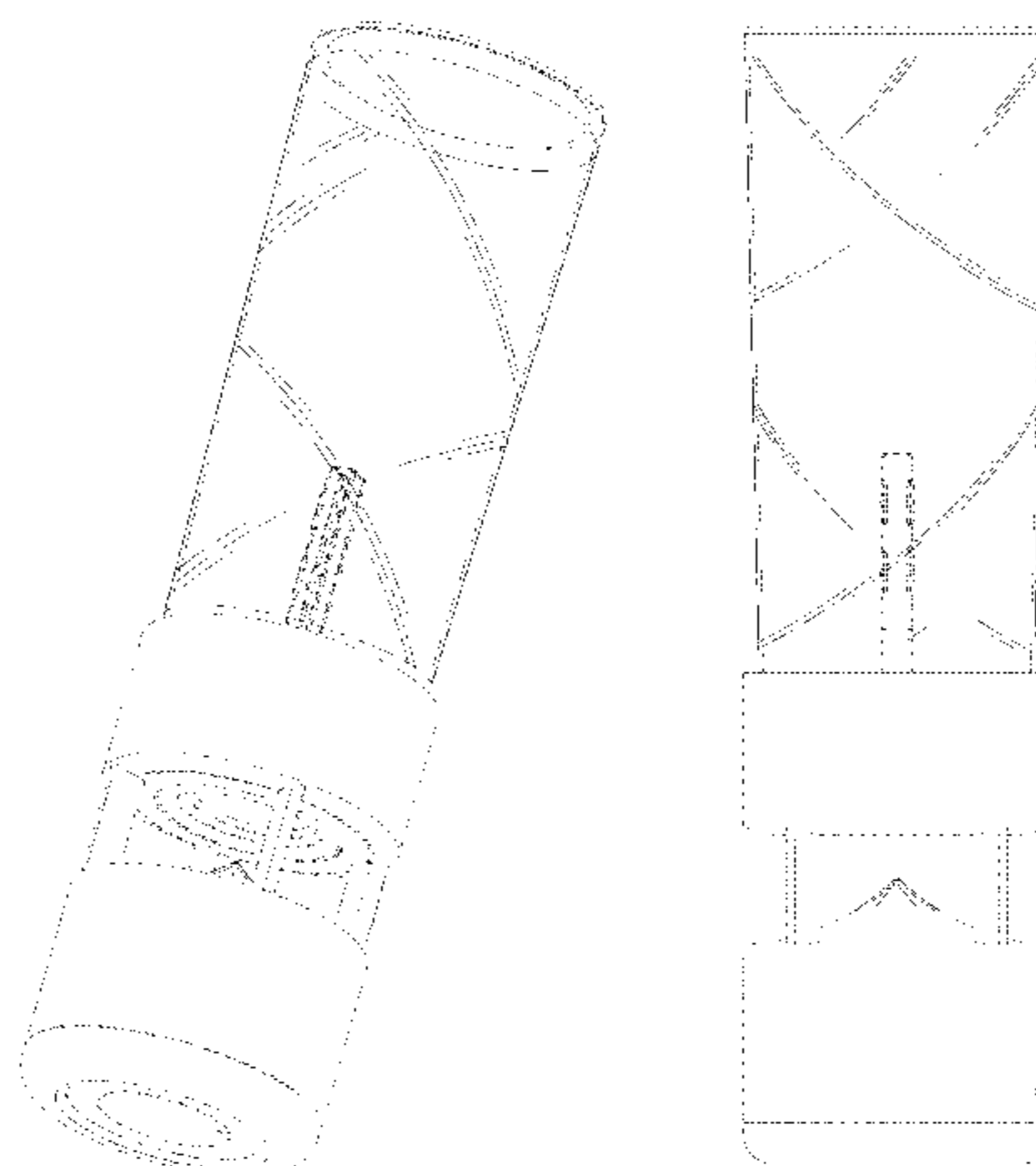
(57) **CLAIM**

The ornamental design for a combined light and speaker, as shown and described.

DESCRIPTION

FIG. 1 is a front, bottom, right perspective view of a combined light and speaker showing our new design; FIG. 2 is a front, top, right perspective view thereof; FIG. 3 is a front elevational view thereof; FIG. 4 is a rear elevational view thereof; FIG. 5 is a left side elevational view thereof; and, FIG. 6 is a right side elevational view thereof. The broken lines showing of parts of the combined light and speaker form no part of the claimed design. The dot-dash broken lines show boundaries of the claimed design and form no part of the claimed design.

1 Claim, 4 Drawing Sheets



(56)

References Cited

U.S. PATENT DOCUMENTS

D803,810 S * 11/2017 Lee D14/216
D803,813 S * 11/2017 Rouffiat D14/216
2017/0332166 A1* 11/2017 Kikuchi H04R 1/24

FOREIGN PATENT DOCUMENTS

JP 1313163 S 10/2007
JP 1313164 S 10/2007
JP 1313494 S 10/2007
JP 1313495 S 10/2007
JP 1313496 S 10/2007
JP 1313497 S 10/2007
JP 1313498 S 10/2007
JP 1313499 S 10/2007
JP 1313500 S 10/2007
JP 1313501 S 10/2007
JP 1313502 S 10/2007

* cited by examiner

FIG. 1

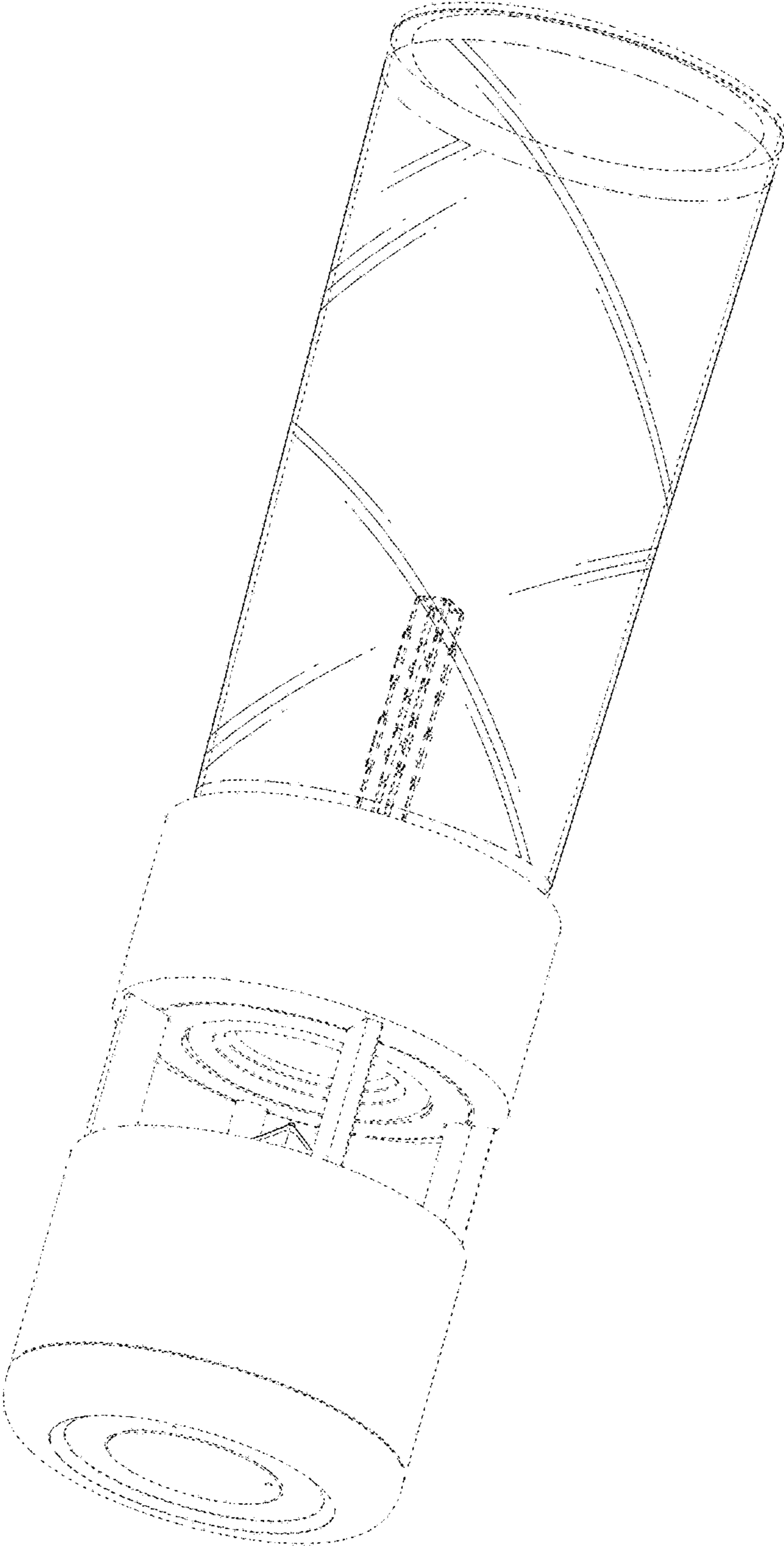


FIG. 2

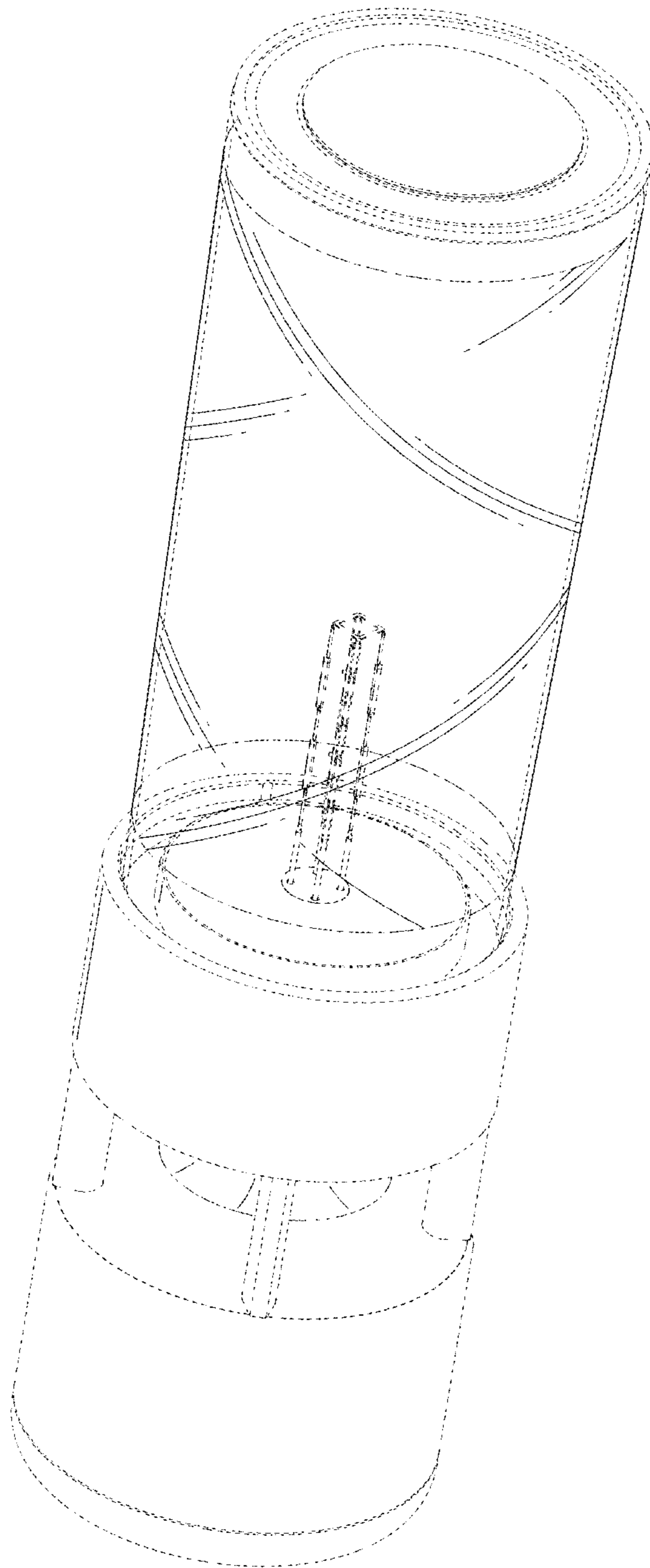


FIG. 3

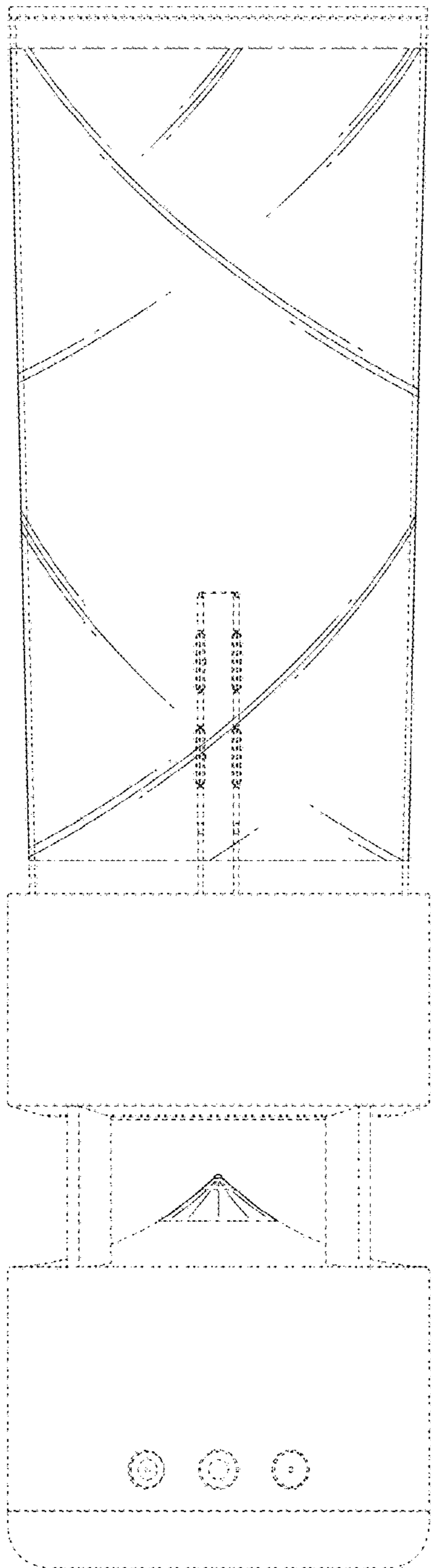


FIG. 4

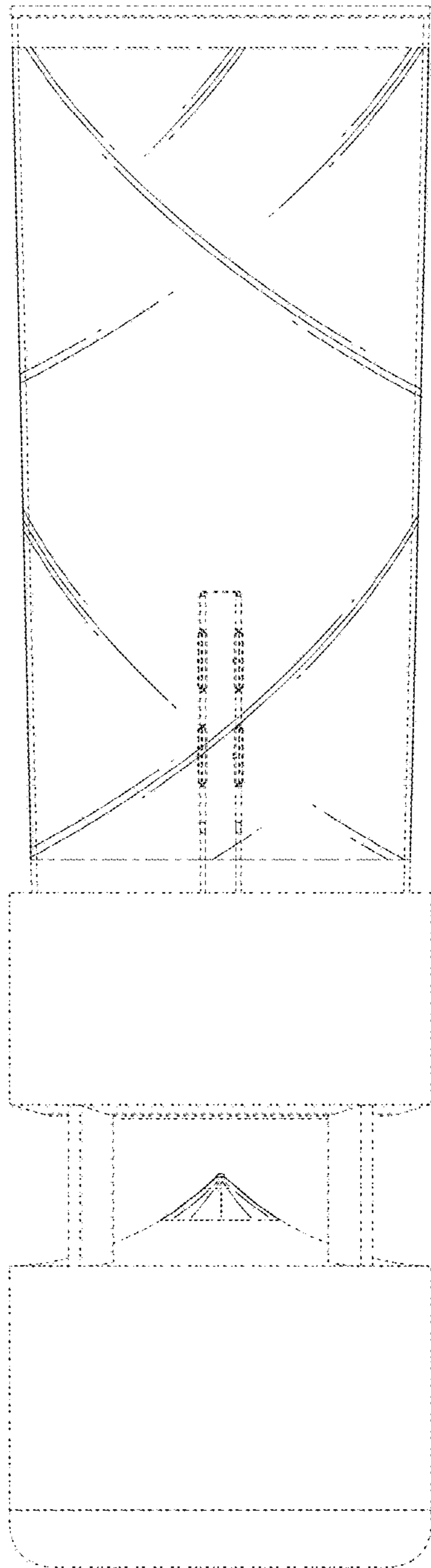


FIG. 5

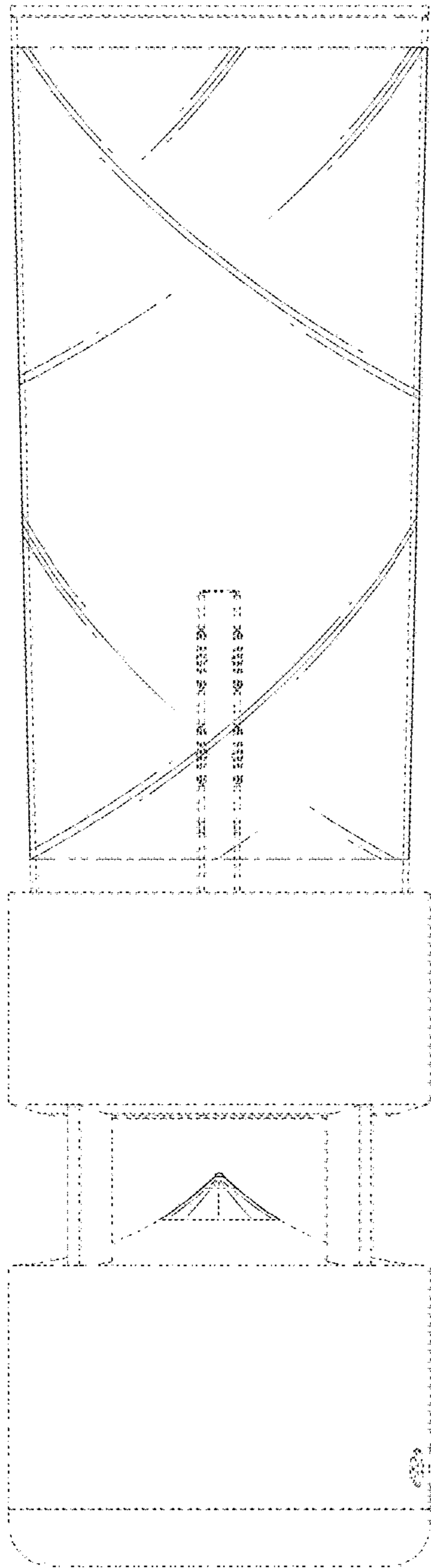


FIG. 6

