



US00D823831S

(12) **United States Design Patent**  
**Kim et al.**

(10) **Patent No.:** **US D823,831 S**

(45) **Date of Patent:** **\*\* Jul. 24, 2018**

(54) **AUDIO VISUAL BOX FOR A TV RECEIVER**

(56) **References Cited**

(71) Applicant: **LG ELECTRONICS INC.**, Seoul (KR)  
(72) Inventors: **Yooseok Kim**, Seoul (KR); **Sunha Park**, Seoul (KR); **Younsoo Kim**, Seoul (KR); **Byungmu Huh**, Seoul (KR)  
(73) Assignee: **LG ELECTRONICS INC.**, Seoul (KR)  
(\*\*) Term: **15 Years**

U.S. PATENT DOCUMENTS

D483,349 S *	12/2003	Murakami	.....	D14/215
D535,974 S *	1/2007	Alwicker	.....	D14/188
D537,071 S *	2/2007	Chen	.....	D14/215
D624,528 S *	9/2010	Hoehn	.....	D14/214
D644,200 S *	8/2011	Bolton	.....	D14/209.1
D645,449 S *	9/2011	Kusuki	.....	D14/214
D669,883 S *	10/2012	Cheng	.....	D14/214
D669,884 S *	10/2012	Hou	.....	D14/214
D800,694 S *	10/2017	Sugiura	.....	D14/214
D807,318 S *	1/2018	Folkmann	.....	D14/149
D817,308 S *	5/2018	Sugiura	.....	D14/214

(21) Appl. No.: **35/503,379**

OTHER PUBLICATIONS

(22) Filed: **Jan. 20, 2017**

KR-300815468, posted at Orbit, publication date Sep. 15, 2015. [online] [site visited May 23, 2018]. Available from Internet. (Year: 2015).\*

(80) **Hague Agreement Data**

Int. Filing Date: **Jan. 20, 2017**  
Int. Reg. No.: **DM/094544**  
Int. Reg. Date: **Jan. 20, 2017**  
Int. Reg. Pub. Date: **Jul. 21, 2017**

(Continued)

*Primary Examiner* — George D. Kirschbaum  
*Assistant Examiner* — Kathleen L Jones  
(74) *Attorney, Agent, or Firm* — Birch, Stewart, Kolasch & Birch, LLP

(30) **Foreign Application Priority Data**

Jul. 28, 2016 (KR) ..... 30-2016-0037091

(51) **LOC (11) Cl.** ..... **14-01**

(52) **U.S. Cl.**  
USPC ..... **D14/215**

(58) **Field of Classification Search**

USPC ..... D14/125–126, 131, 172, 188, 193–194, D14/203.1, 204–206, 209.1, 210–216, D14/221, 223–224, 239, 249, 265  
CPC . B60R 11/0217; B60R 11/0223; H04R 1/023; H04R 1/025; H04R 1/323; H04R 5/02; H04R 19/02; H04R 2400/00; H04R 2400/07; H04R 2400/11; G06F 1/16

See application file for complete search history.

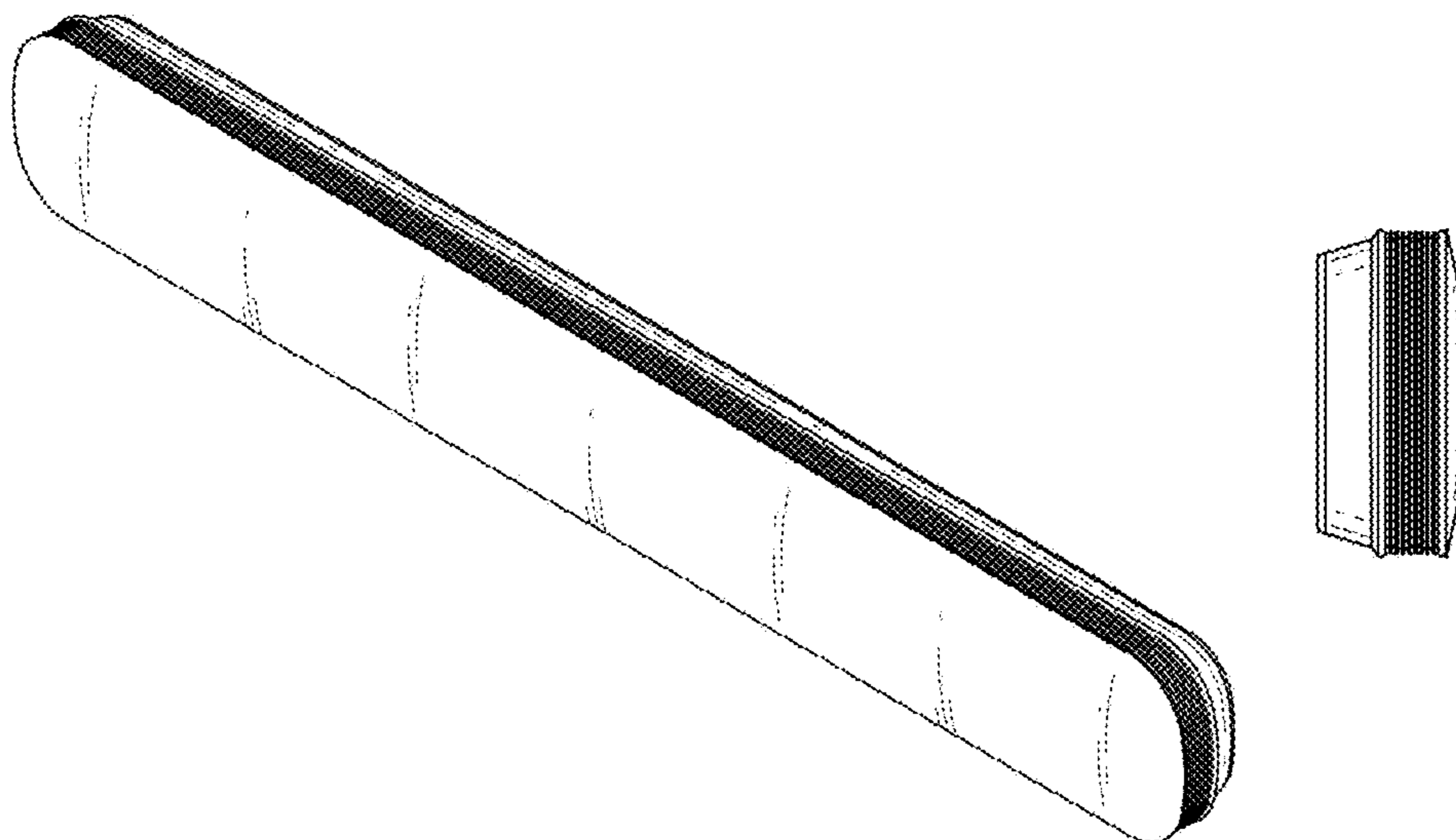
(57) **CLAIM**

The ornamental design for an audio visual box for a TV receiver, as shown and described.

**DESCRIPTION**

1. Audio visual box for a TV receiver
  - 1.1 : Perspective
  - 1.2 : Front
  - 1.3 : Back
  - 1.4 : Left
  - 1.5 : Right
  - 1.6 : Top
  - 1.7 : Bottom

**1 Claim, 7 Drawing Sheets**



(56)

**References Cited**

## OTHER PUBLICATIONS

Larsen, Rasmus, LG brings Dolby Atmos to SJ9 soundbar, posted at FlatpanelsHD, posting date Jan. 10, 2017. [online][site visited Mar. 13, 2018] URL: <<https://www.flatpanelshd.com/news.php?subaction=showfull&id=1484046315>> (Year: 2017).\*

Langridge, Max, Best of CES 2017—Speakers: B&O, LG, and more, posted at Pocket lint, posting date Jan. 9, 2017. [online][site visited Mar. 13, 2018] URL: <<https://www.pocket-lint.com/speakers/buyers-guides/140420-best-of-ces-2017-speakers-b-o-lg-and-more>> (Year: 2017).\*

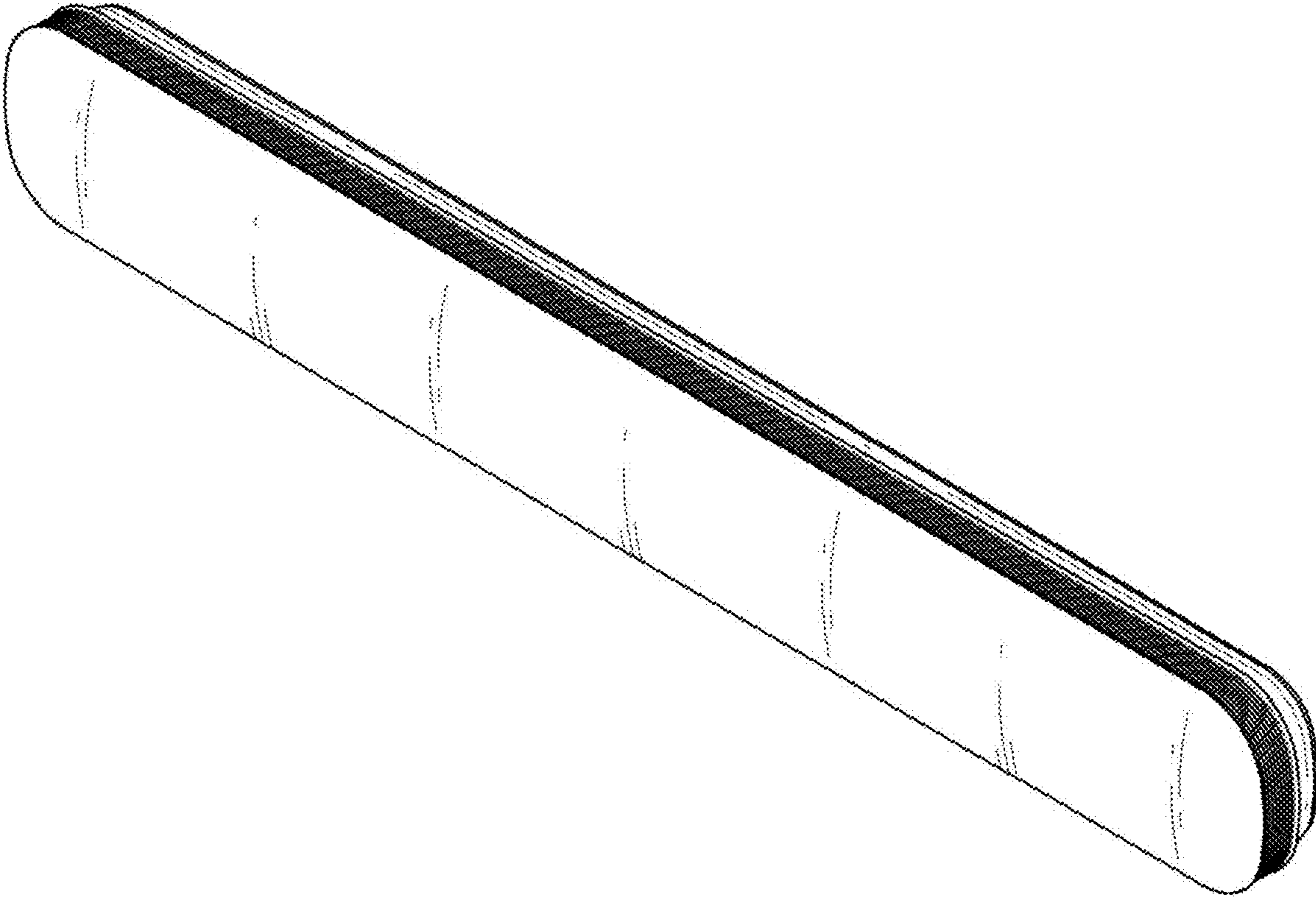
Zhicong, Zhou, CN-302789369, posted at Orbit, publication date Apr. 9, 2014. [online] [site visited Mar. 13, 2018] (Year: 2014).\*

Sondpex Bluetooth Speaker Bar and Music Player, posted at Pep Boys, review posting year 2016. [online][site visited Mar. 14, 2018] URL: <<https://www.pepboys.com/product/details/1152874/00071>> (Year: 2016).\*

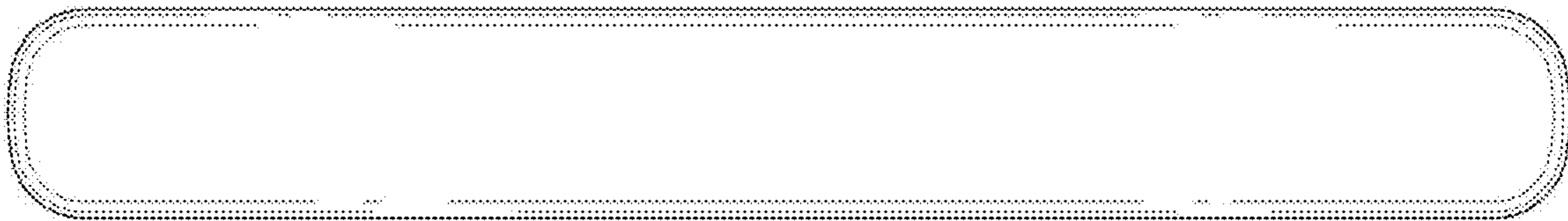
Polk Signa Solo GE Universal Home Theater Sound Bar, posted at Toys R Us, review posted Dec. 2017. [online][site visited Mar. 13, 2018] URL: <<https://www.toysrus.com/buy/more-ps4-accessories/polk-signa-solo-ge-universal-home-theater-sound-bar-null-135224536>> (Year: 2017).\*

\* cited by examiner

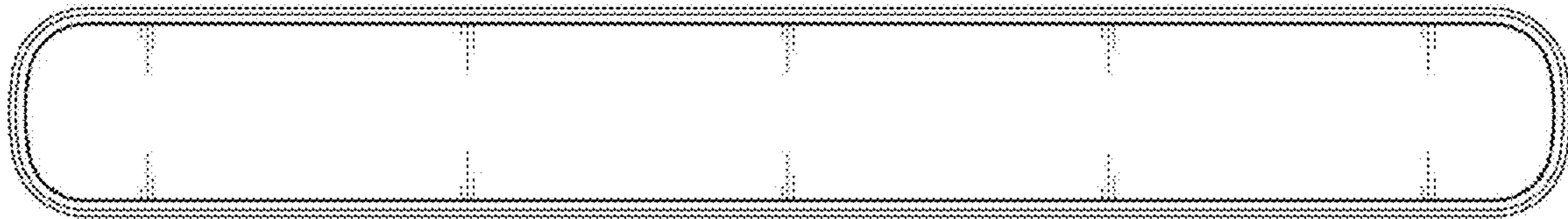
1.1



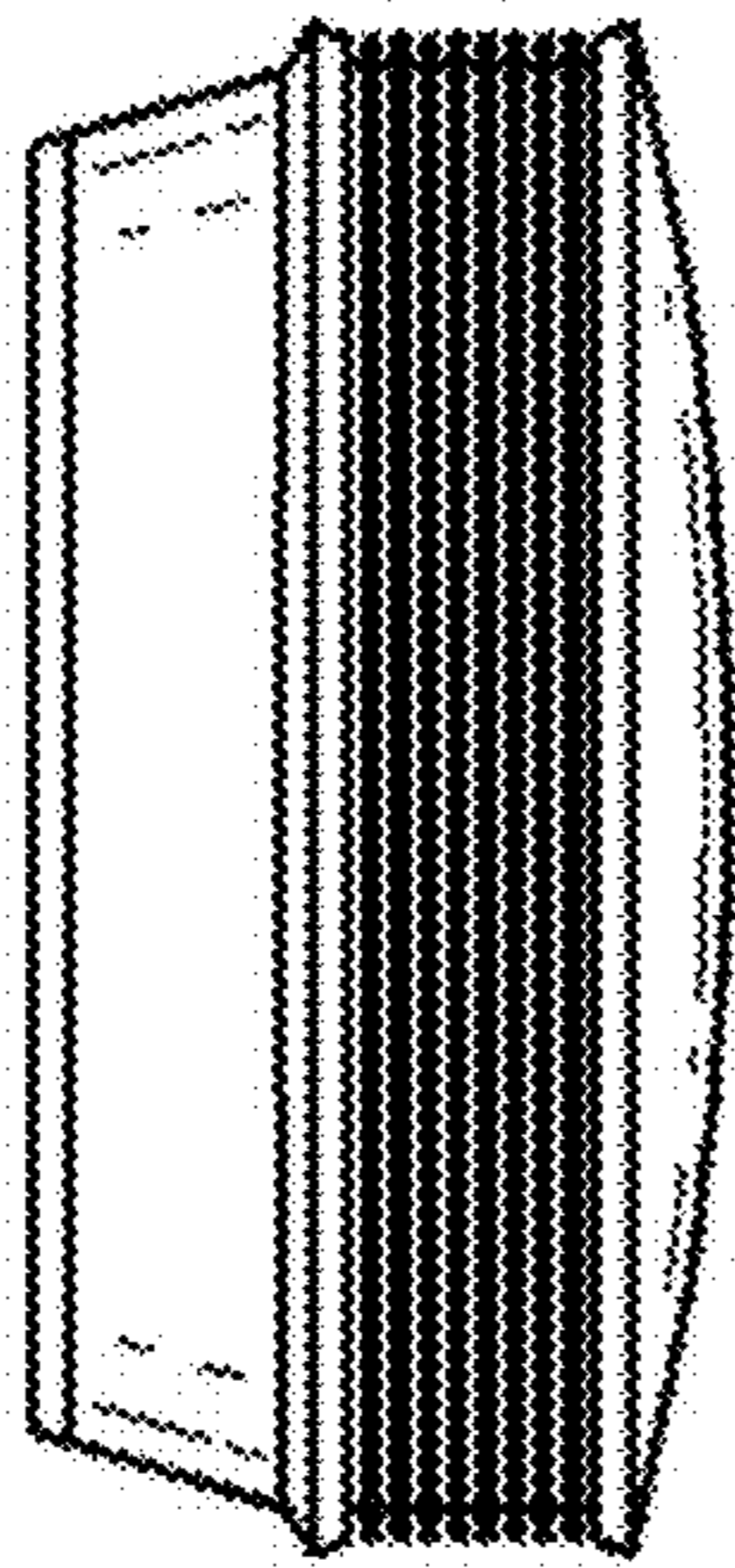
1.2



1.3

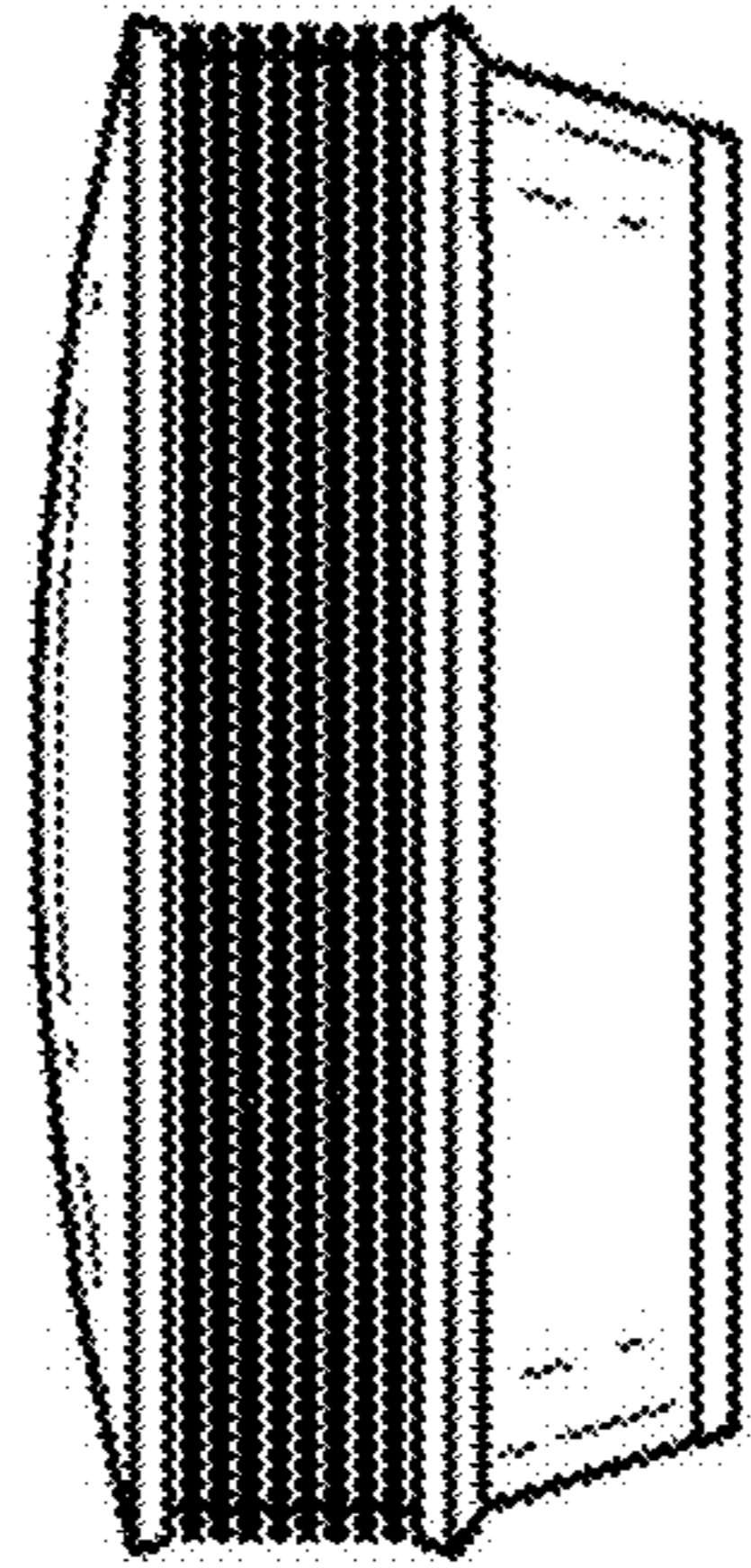


1.4





1.5



1.6





1.7

