



US00D823829S

(12) **United States Design Patent** (10) **Patent No.:** **US D823,829 S**
Birger (45) **Date of Patent:** **** Jul. 24, 2018**

(54) **HEADSET**
(71) Applicant: **GN Netcom A/S**, Ballerup (DK)
(72) Inventor: **Johan Birger**, Ballerup (DK)
(73) Assignee: **GN Netcom A/S** (DK)
(**) Term: **15 Years**
(21) Appl. No.: **29/550,573**
(22) Filed: **Jan. 5, 2016**

(30) **Foreign Application Priority Data**

Jul. 8, 2015 (EM) 002733212-0001

(51) **LOC (11) Cl.** **14-01**

(52) **U.S. Cl.**
USPC **D14/206**

(58) **Field of Classification Search**
USPC D14/223, 225, 226, 206; 181/129, 130,
181/135; 379/430, 431, 433.01;
381/380, 381, 328, 330, 370, 375, 374,
381/385
CPC H04R 25/00; H04R 25/02; H04R 1/10;
H04R 1/105; H04R 1/1066; H04R
1/1016; H04R 1/1058; H04R 1/04; H04R
19/04

See application file for complete search history.

(56) **References Cited**

U.S. PATENT DOCUMENTS

4,917,504 A * 4/1990 Scott H04M 1/05
381/330
5,210,792 A * 5/1993 Kajihara H04M 1/05
379/430
D366,486 S * 1/1996 Runquist D14/142
D403,327 S * 12/1998 Landreth D14/206
D439,890 S * 4/2001 Skulley D14/206
D443,871 S * 6/2001 Hofstede D14/206

D451,089 S * 11/2001 Hohl D14/142
D451,907 S * 12/2001 Amae D14/206
D452,857 S * 1/2002 Hong D14/206
D455,417 S * 4/2002 Bey D14/206
D455,732 S * 4/2002 Skulley D14/206
D462,943 S * 9/2002 Lucaci D14/206
D464,943 S * 10/2002 Lai D14/206
D478,574 S * 8/2003 Ming D14/223
D494,569 S * 8/2004 Ma D14/223
6,771,790 B2 * 8/2004 Liu H04M 1/05
381/375
D500,999 S * 1/2005 Dyer D14/223
D506,994 S * 7/2005 Olson D14/205
D508,485 S * 8/2005 Katsumata D14/205
D510,082 S * 9/2005 Olson D14/206
D512,991 S * 12/2005 Yano D14/223
7,020,300 B1 * 3/2006 Villaverde H04R 1/1058
381/374
D518,479 S * 4/2006 Skulley D14/225
D526,313 S * 8/2006 Murray D14/223
D528,529 S * 9/2006 Rose D14/138 R

(Continued)

Primary Examiner — Paula Allen Greene

(74) *Attorney, Agent, or Firm* — Altera Law Group, LLC

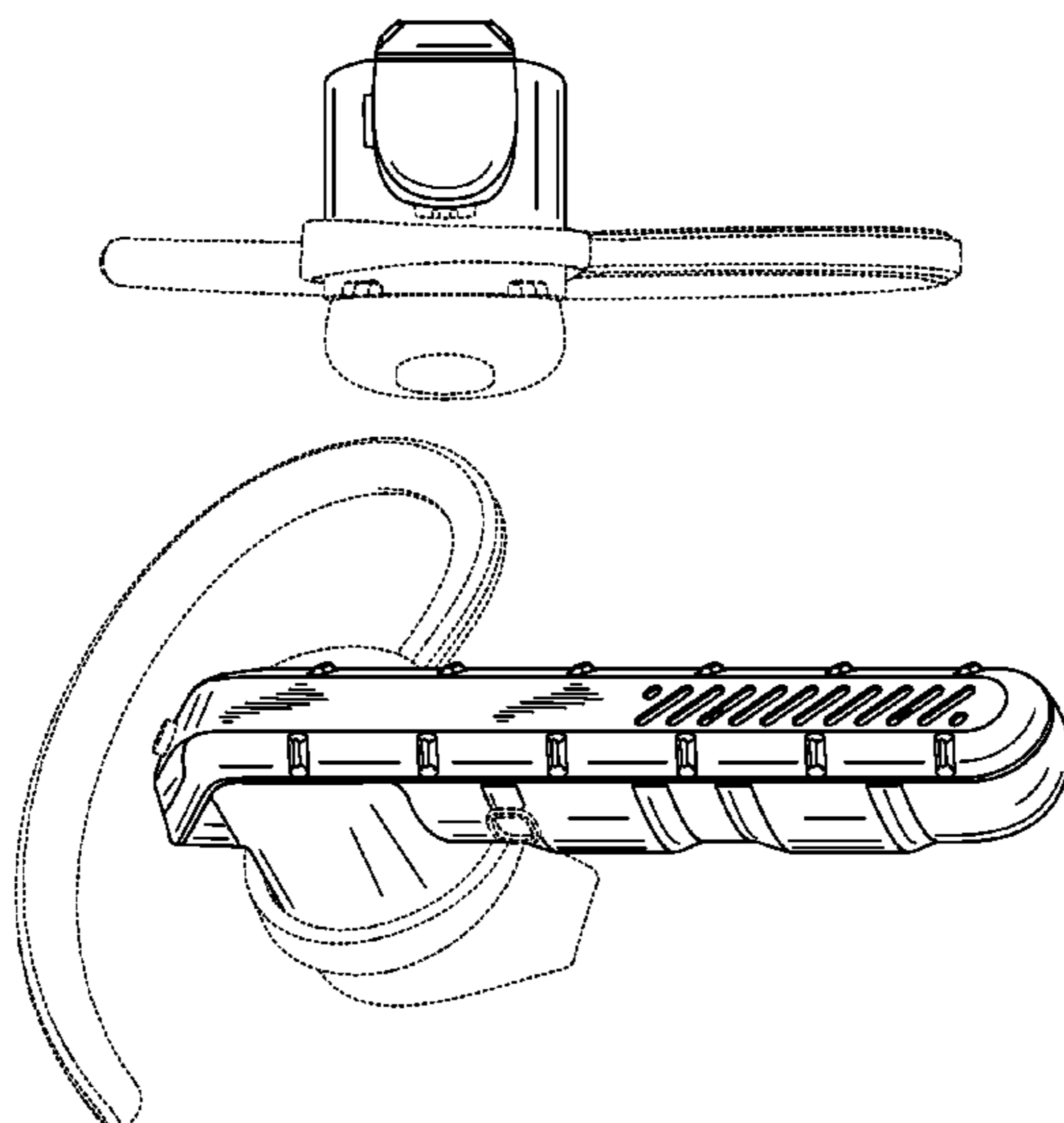
(57) **CLAIM**

The ornamental design for a headset, as shown and described.

DESCRIPTION

FIG. 1 is a front elevational view of a headset showing my new design;
FIG. 2 is a bottom view thereof;
FIG. 3 is a top view thereof;
FIG. 4 is a left side view thereof;
FIG. 5 is a right side view thereof;
FIG. 6 is a back view thereof; and,
FIG. 7 is a perspective view thereof.
The features shown in broken lines depict environmental subject matter only and form no part of the claimed design.

1 Claim, 7 Drawing Sheets



(56)

References Cited

U.S. PATENT DOCUMENTS

D528,531 S * 9/2006 Rose D14/138 R
D529,480 S * 10/2006 Wittenbrock D14/206
D533,865 S * 12/2006 Wittenbrock D14/206
D538,792 S * 3/2007 Kim D14/223
D540,303 S * 4/2007 Rausch D14/205
D541,256 S * 4/2007 Rausch D14/205
D542,267 S * 5/2007 Cha D14/206
D581,396 S * 11/2008 Wikel D14/206
D581,900 S * 12/2008 Caddes D14/206
D582,388 S * 12/2008 Nielsen D14/205
D584,719 S * 1/2009 Brennwald D14/205
D597,084 S * 7/2009 Gondo D14/223
D603,372 S * 11/2009 Bentley D14/206
D612,834 S * 3/2010 Yang D14/206
D612,835 S * 3/2010 Yang D14/206
D612,840 S * 3/2010 Yang D14/206
7,708,110 B2 * 5/2010 Leong A61F 11/08
128/867
7,841,446 B2 * 11/2010 Leong A61F 11/08
128/867
D635,960 S * 4/2011 Gondo D14/223
D647,877 S * 11/2011 Son D14/206
D657,247 S * 4/2012 Nemeth D9/502
D681,014 S * 4/2013 Ham D14/206
D726,147 S * 4/2015 Tran D14/206
D746,260 S * 12/2015 Goransson D14/206
D750,043 S * 2/2016 Birger D14/206
9,307,311 B2 * 4/2016 Tran H04R 1/10
D761,770 S * 7/2016 Kanou D14/206
2003/0174853 A1 * 9/2003 Howes H04R 1/083
381/370

* cited by examiner

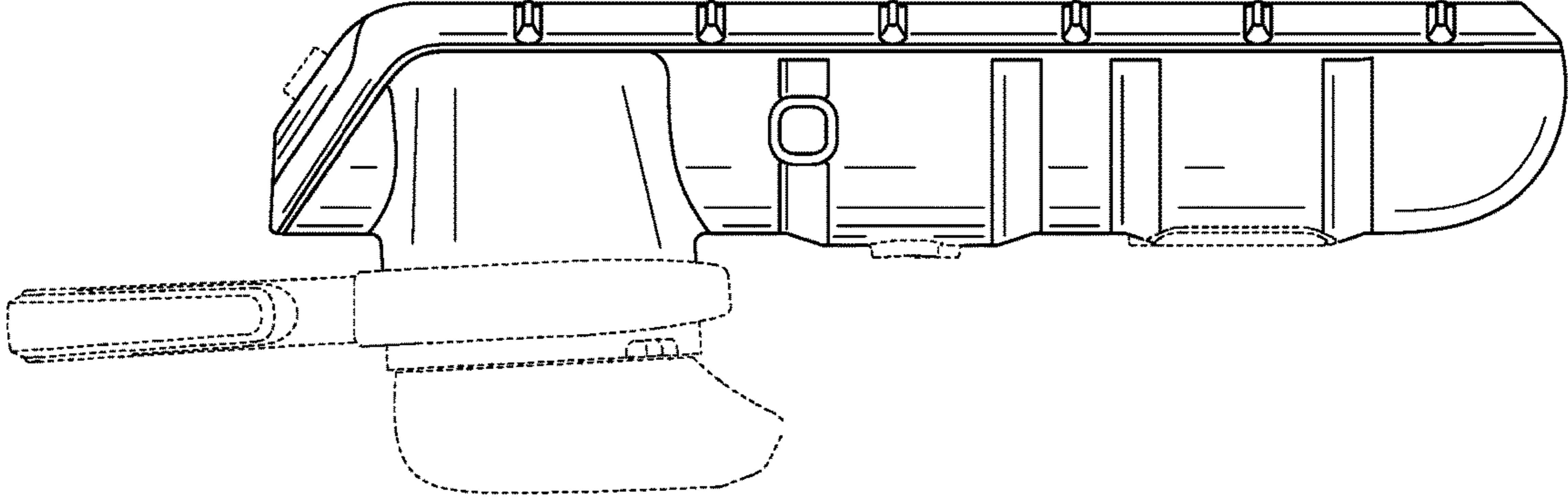


Fig. 1

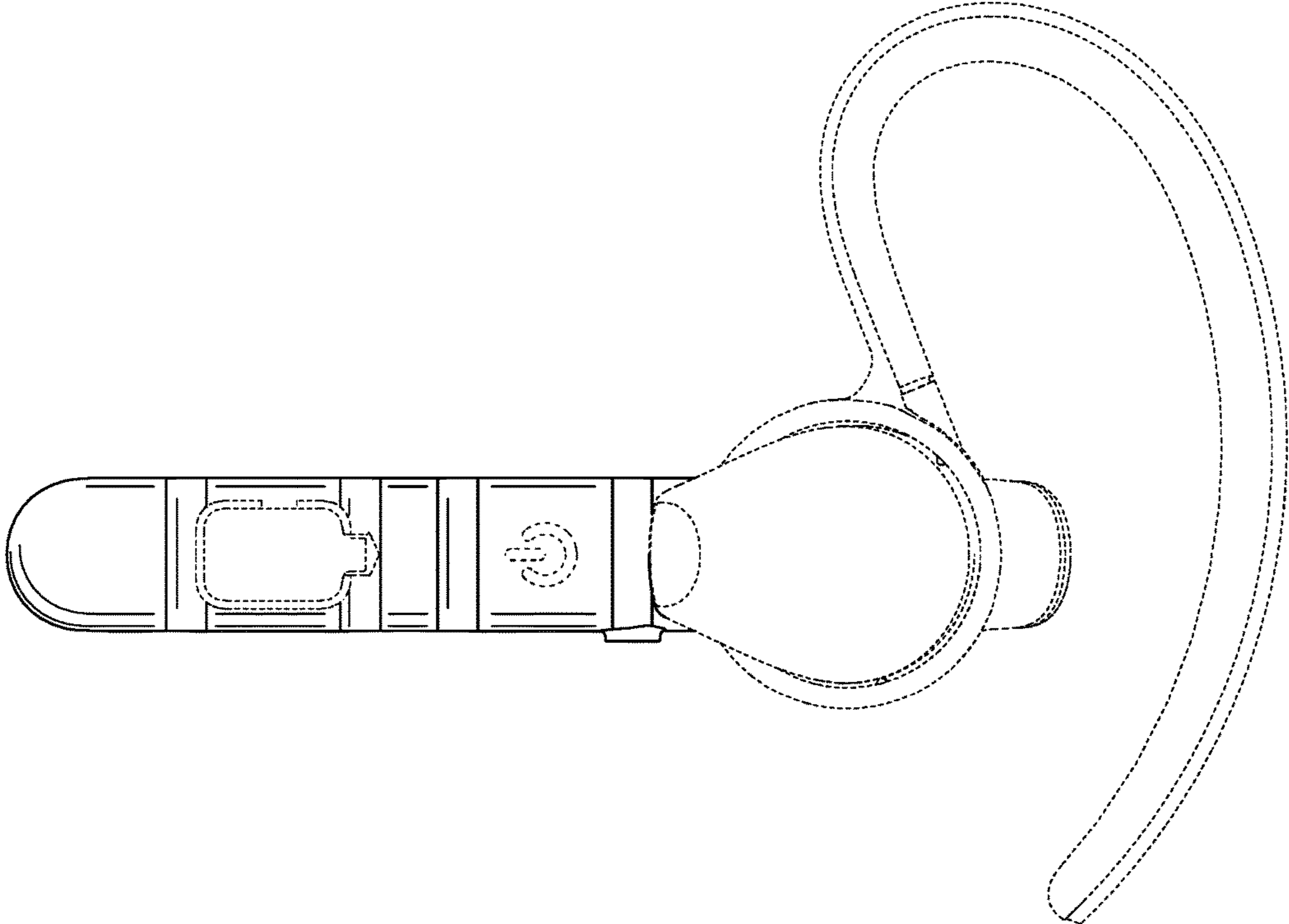


Fig. 2

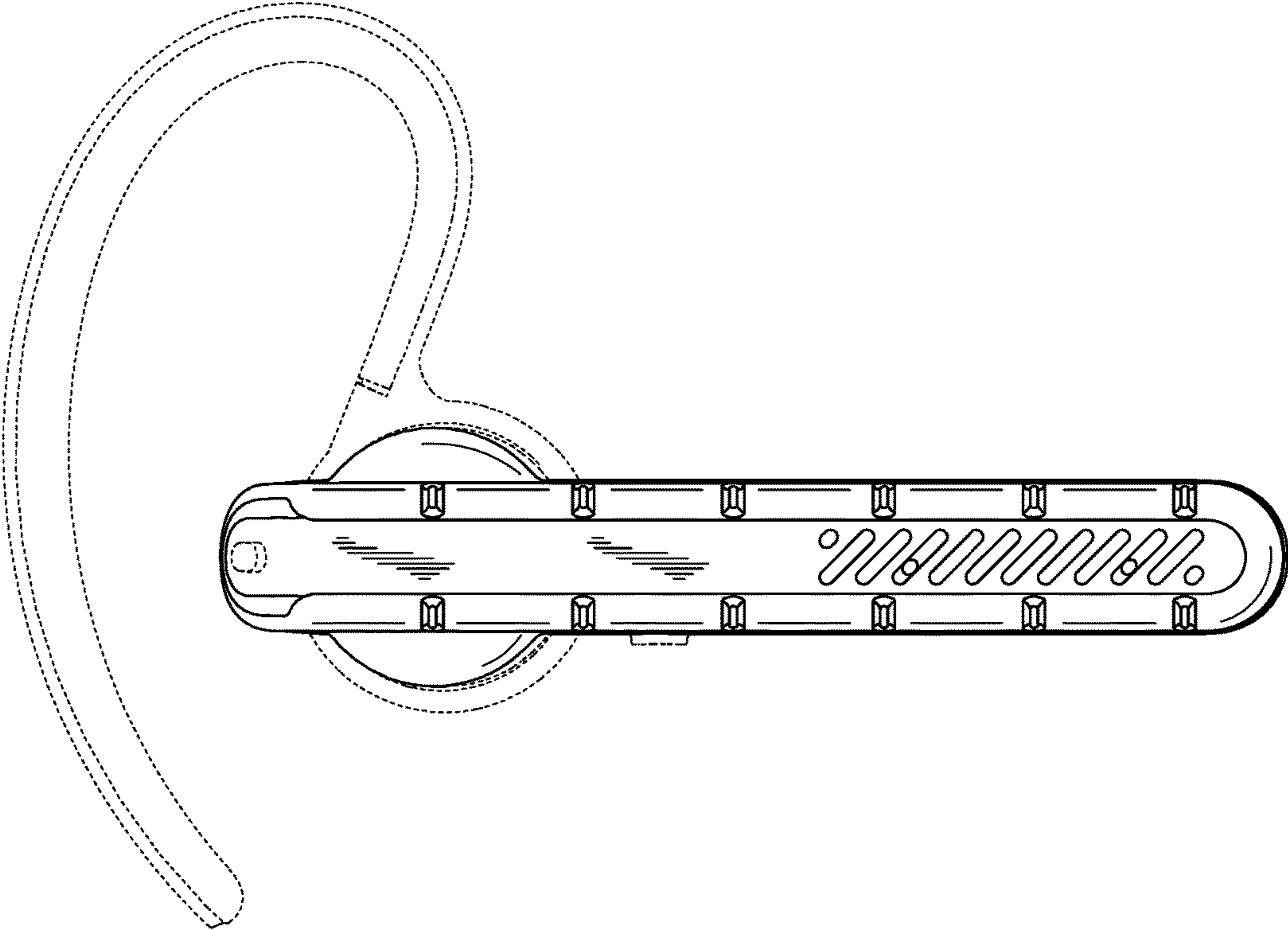


Fig. 3

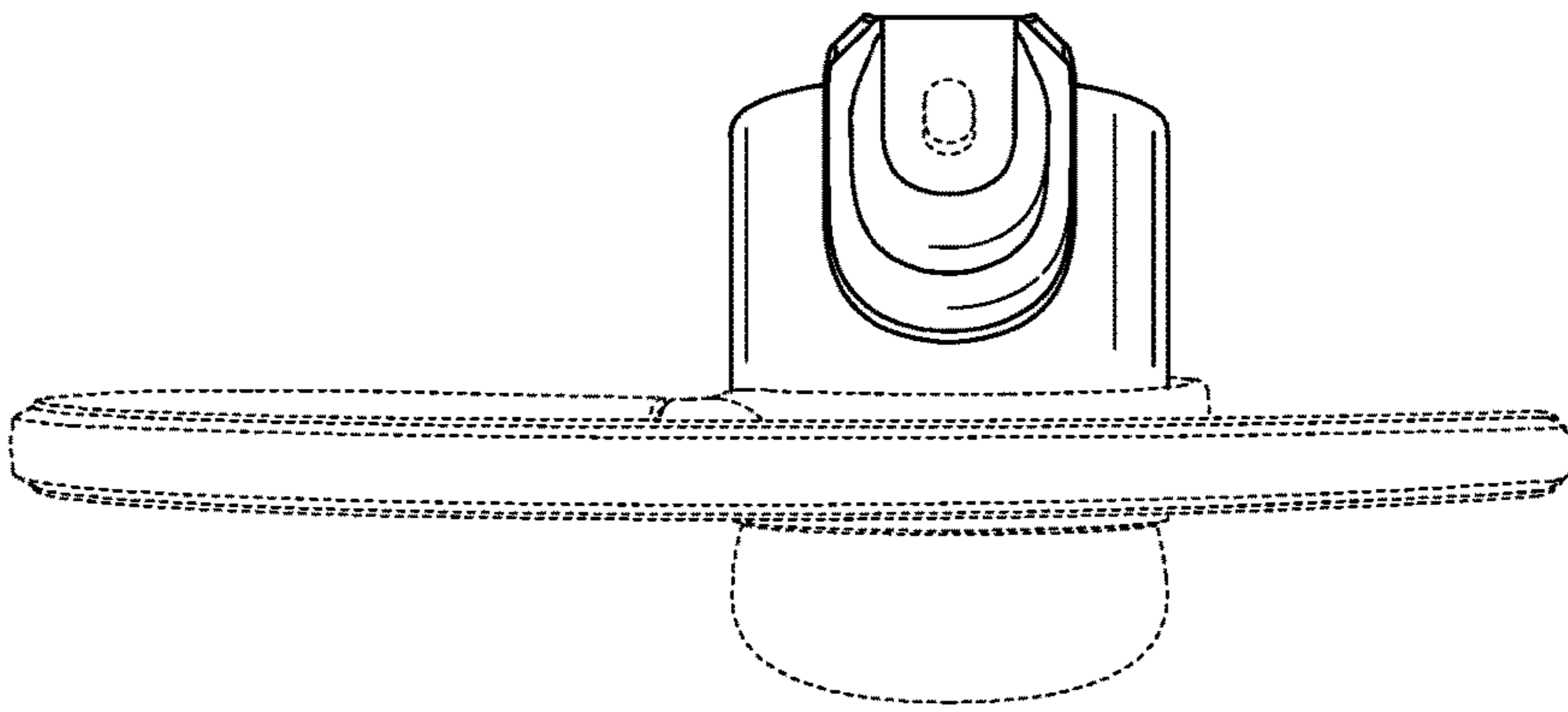


Fig. 4

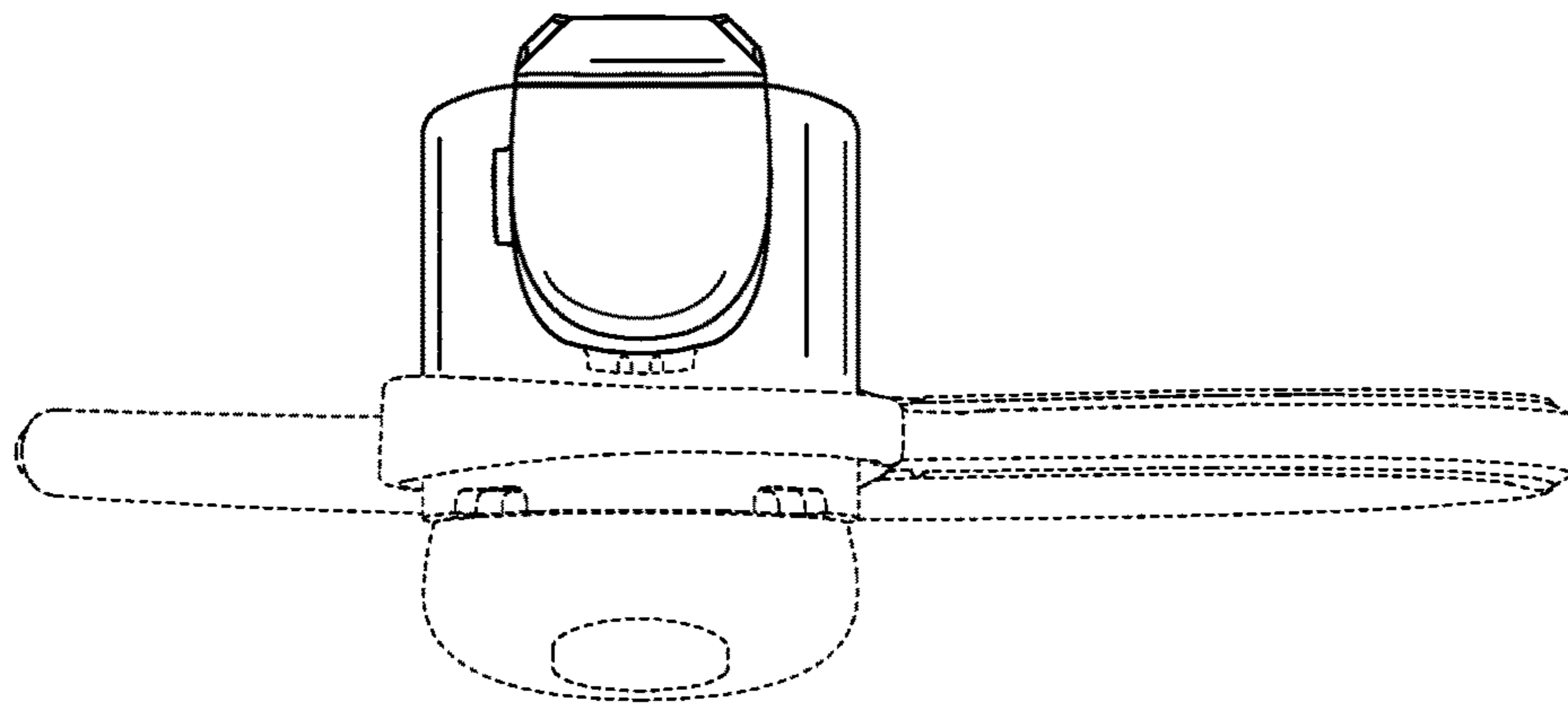


Fig. 5

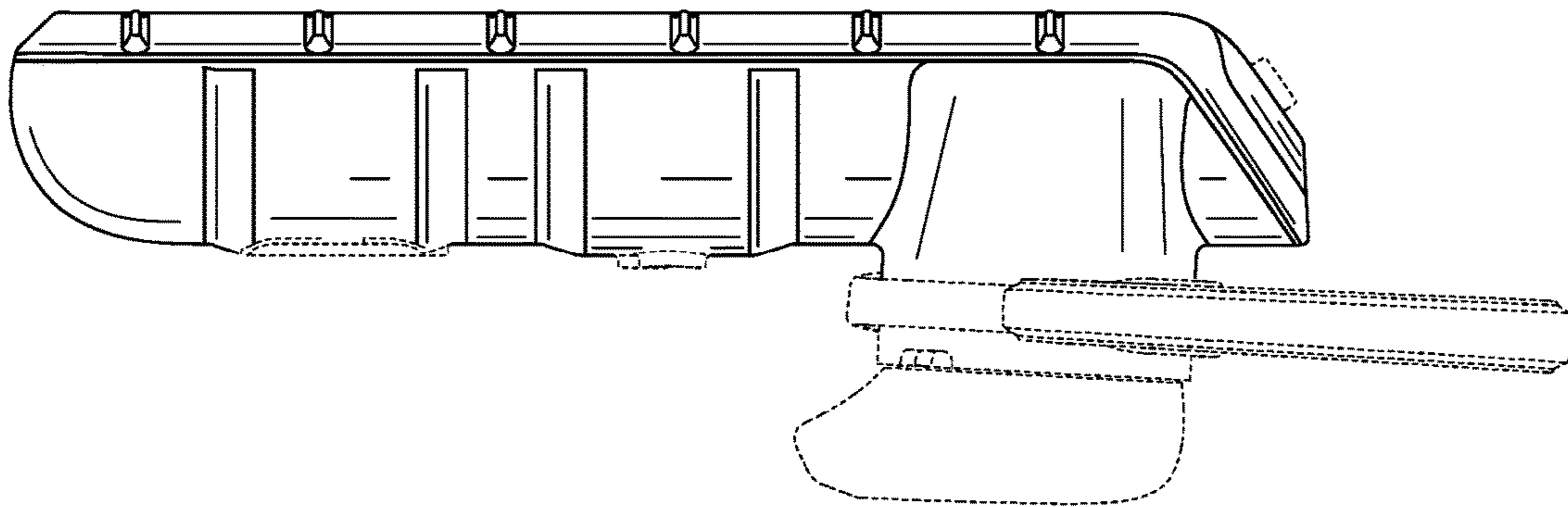


Fig. 6

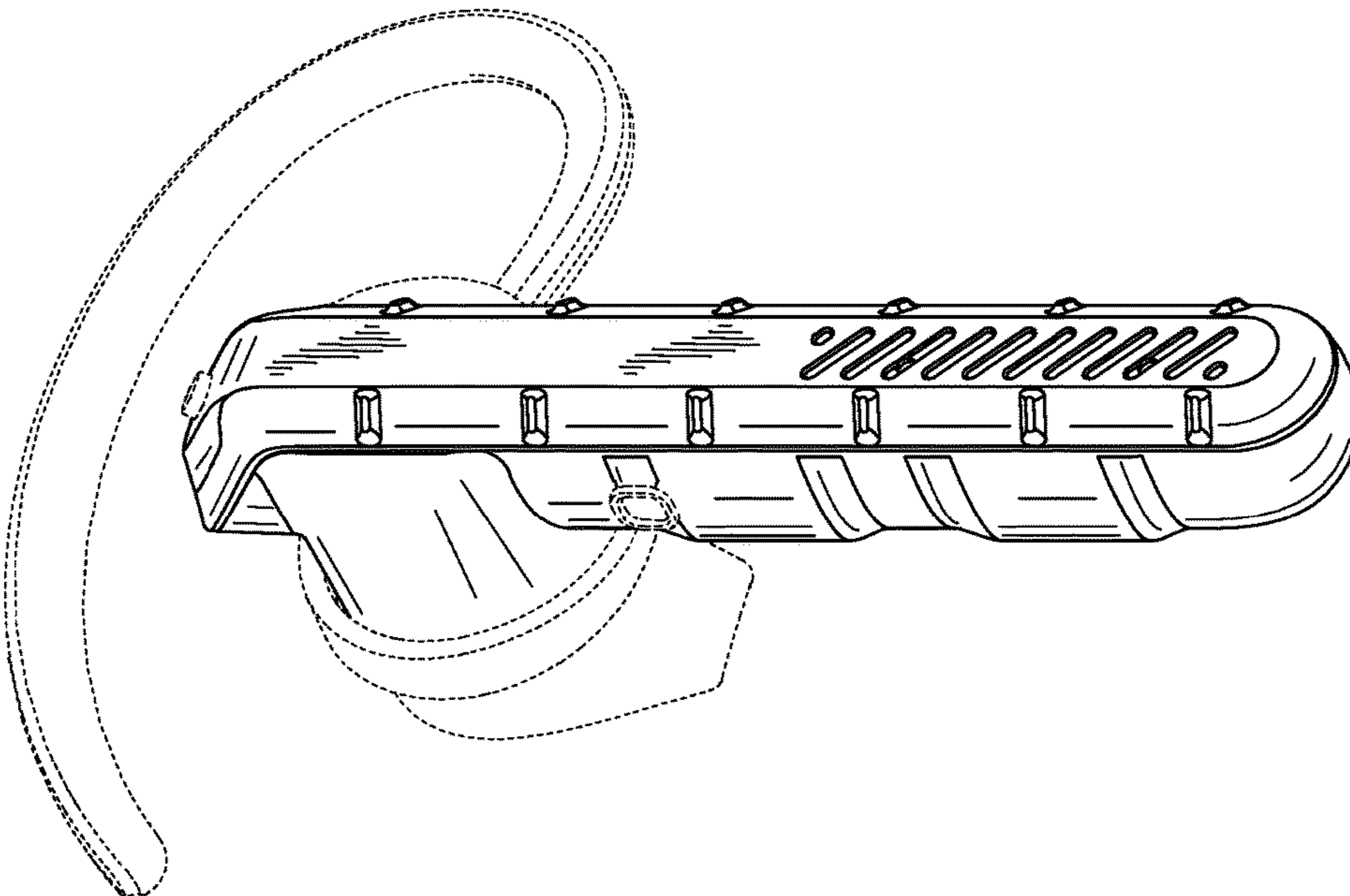


Fig. 7