



US00D823827S

(12) **United States Design Patent**
Pourriot et al.

(10) **Patent No.:** **US D823,827 S**
(45) **Date of Patent:** **** Jul. 24, 2018**

(54) **HEADSET**

(71) Applicant: **OROSOUND**, Paris (FR)

(72) Inventors: **Martin Pourriot**, Paris (FR); **Arthur Farre**, Paris (FR); **Elise Berthier**, Paris (FR)

(73) Assignee: **OROSOUND**, Paris (FR)

(**) Term: **15 Years**

(21) Appl. No.: **29/587,963**

(22) Filed: **Dec. 16, 2016**

(30) **Foreign Application Priority Data**

Jun. 16, 2016 (EM) 003226018

(51) **LOC (11) Cl.** **14-01**

(52) **U.S. Cl.**
USPC **D14/205**

(58) **Field of Classification Search**
USPC D14/205; D24/174; 181/129, 130, 135;
379/430, 431; 381/380, 381, 74, 374,
(Continued)

(56) **References Cited**

U.S. PATENT DOCUMENTS

D254,910 S * 5/1980 Lung D14/168
4,821,318 A * 4/1989 Wu H04M 1/05
379/430

(Continued)

Primary Examiner — Paula Allen Greene

(74) *Attorney, Agent, or Firm* — Muncy, Geissler, Olds & Lowe, P.C.

(57) **CLAIM**

The ornamental design for a headset, as shown and described.

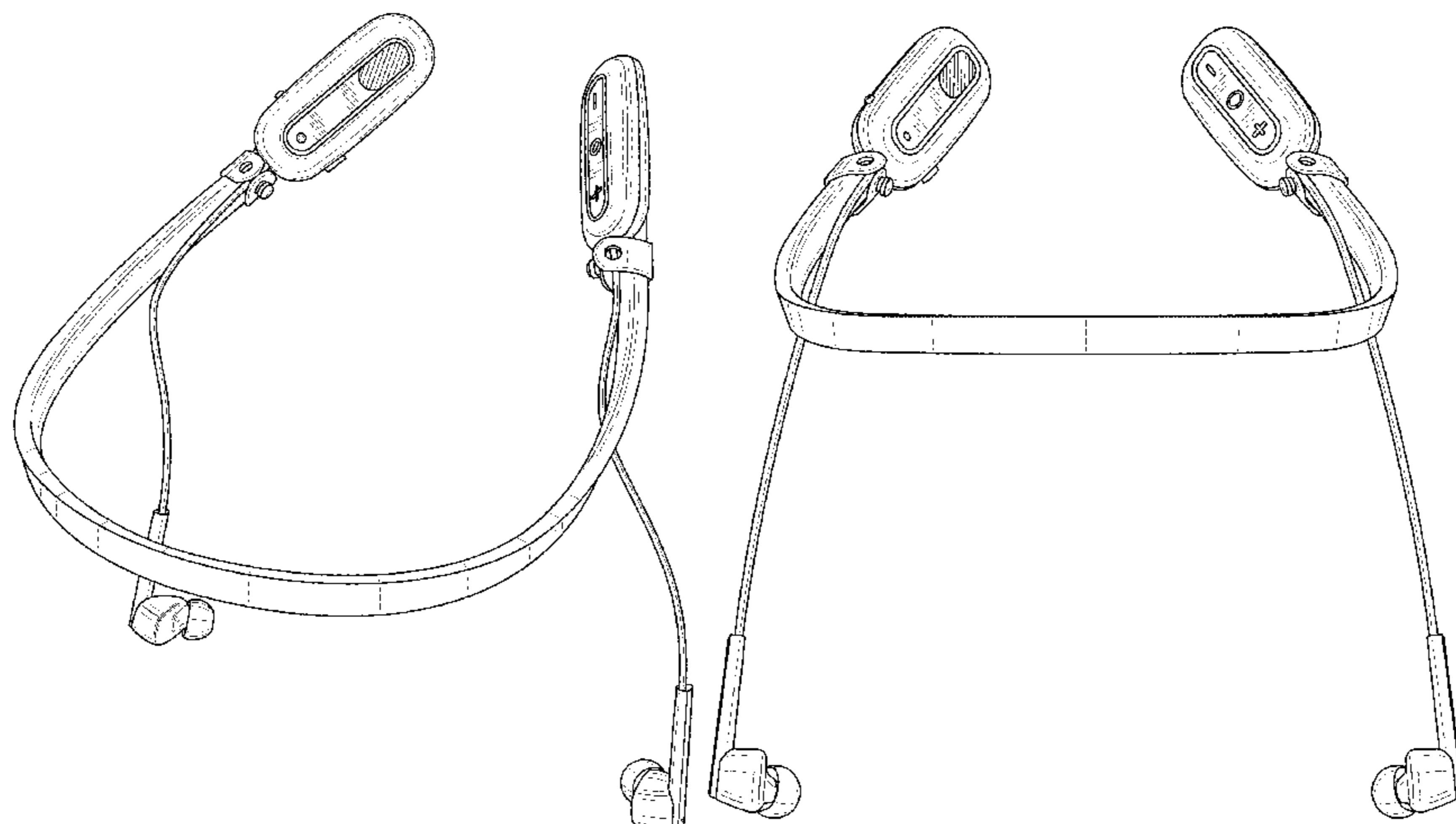
DESCRIPTION

FIG. 1 is a top perspective view of a headset showing our new design;

FIG. 2 is a bottom perspective view thereof;
FIG. 3 is a front elevational view thereof;
FIG. 4 is a rear elevational view thereof;
FIG. 5 is a left side view thereof;
FIG. 6 is a right side view thereof;
FIG. 7 is a top plan view thereof; and
FIG. 8 is a bottom plan view thereof, the slider is in a closed position;
FIG. 9 is an enlarged front view of the left end portion of the headset shown separately for purposes of illustration;
FIG. 10 is an enlarged rear view thereof;
FIG. 11 is an enlarged left side view thereof;
FIG. 12 is an enlarged right side view thereof, the slider is in a closed position;
FIG. 13 is an enlarged top plan view thereof; and
FIG. 14 is an enlarged bottom plan view thereof, the slider is in a closed position;
FIG. 15 is an enlarged front view of the right end portion of the headset shown separately for purposes of illustration;
FIG. 16 is an enlarged rear view thereof;
FIG. 17 is an enlarged left side view thereof;
FIG. 18 is an enlarged right side view thereof;
FIG. 19 is an enlarged top plan view thereof; and
FIG. 20 is an enlarged bottom plan view thereof;
FIG. 21 is an enlarged front view of the ear bud portion of the headset shown separately for purposes of illustration;
FIG. 22 is an enlarged rear view thereof;
FIG. 23 is an enlarged left side view thereof;
FIG. 24 is an enlarged right side view thereof;
FIG. 25 is an enlarged top plan view thereof; and
FIG. 26 is an enlarged bottom plan view thereof;
FIG. 27 is an enlarged front view of the right end portion of the headset, showing the cable holder in an alternate, snapped position; and
FIG. 28 is an enlarged bottom plan view of the left end portion of the headset, showing the slider in an alternate position.

The slider can be in any position within the corresponding slider groove.
The stippling in the slider groove illustrates a contrasting color that is visible when the slider is in an alternate position.

(Continued)



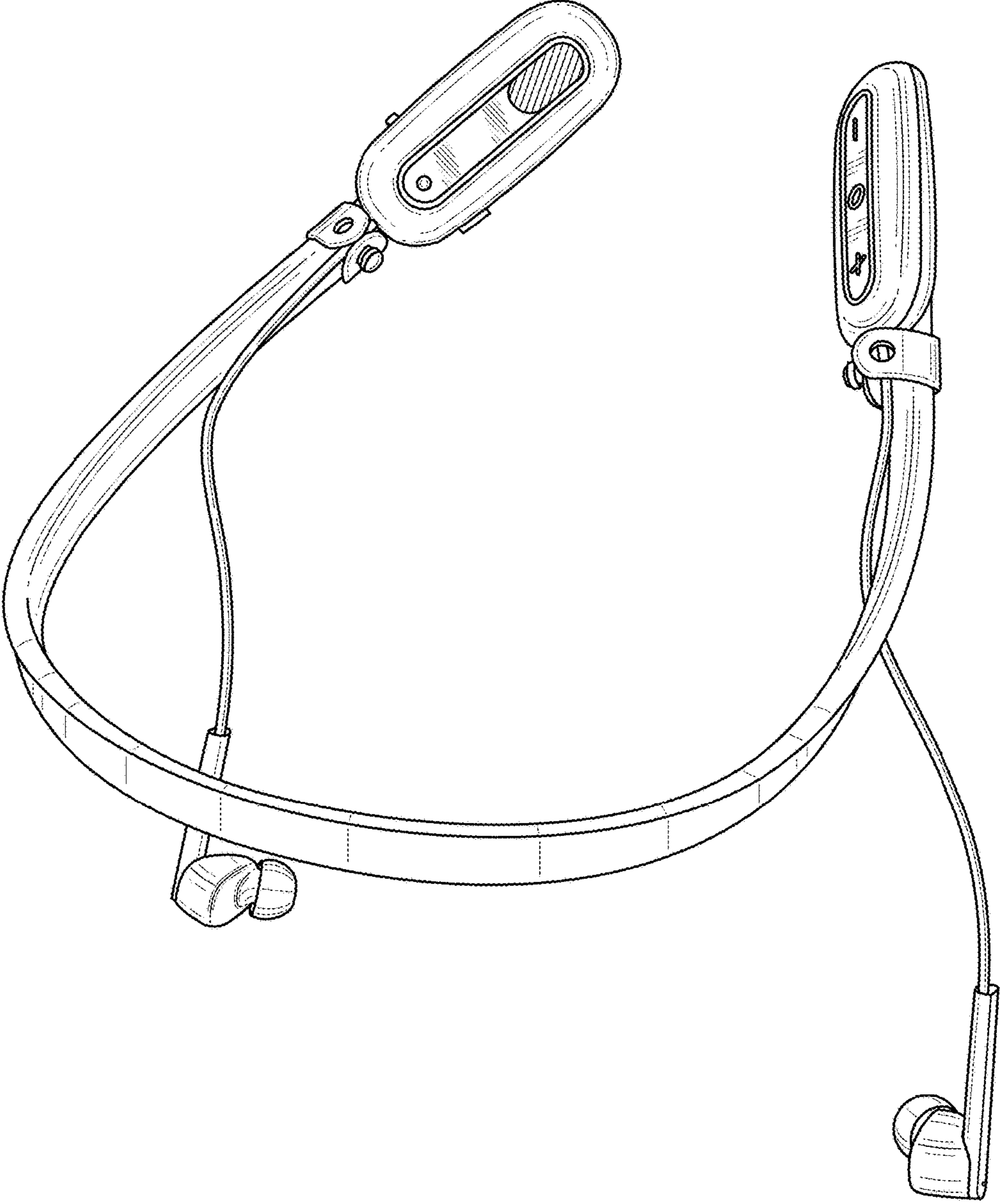


FIG. 1

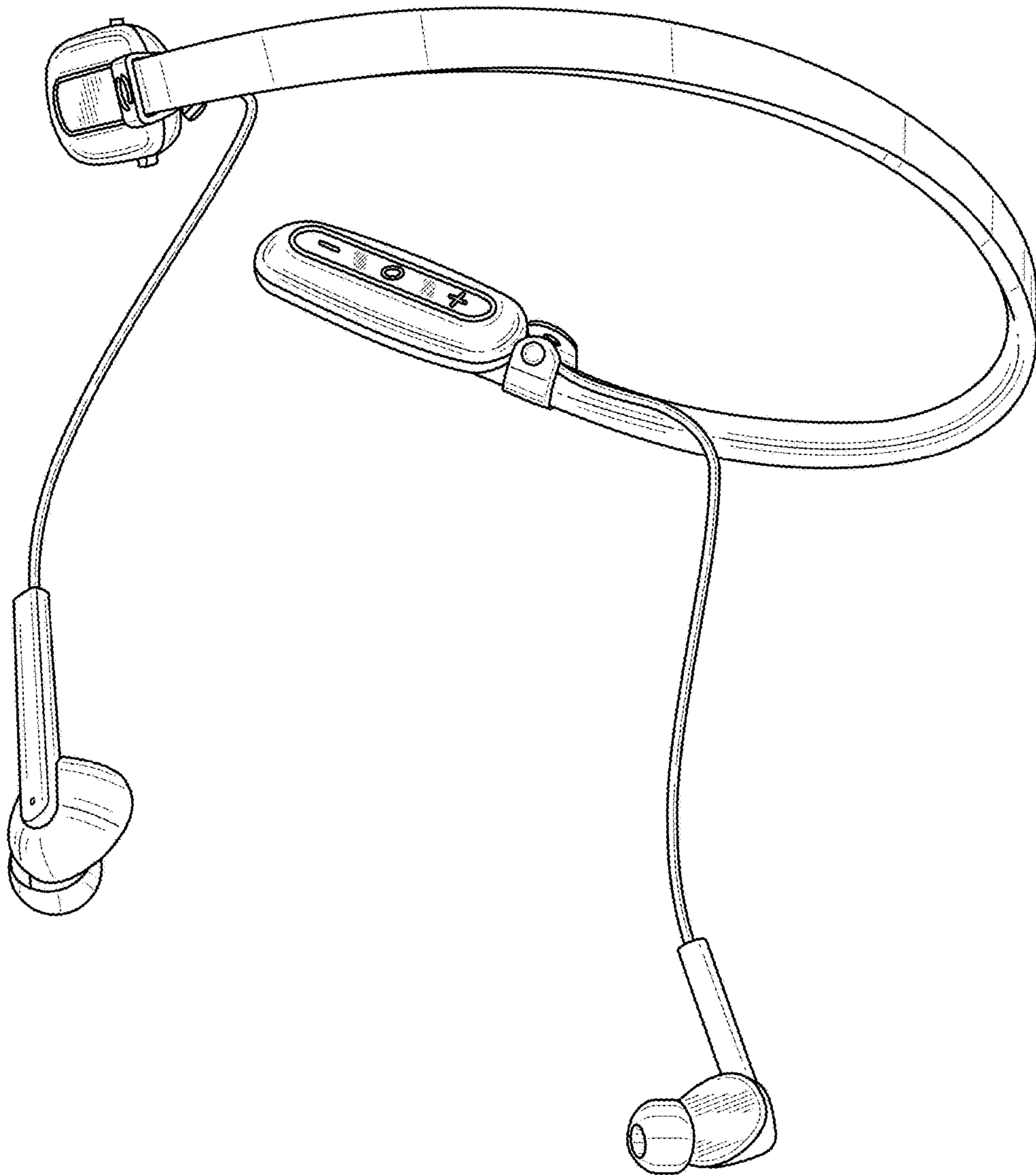


FIG. 2

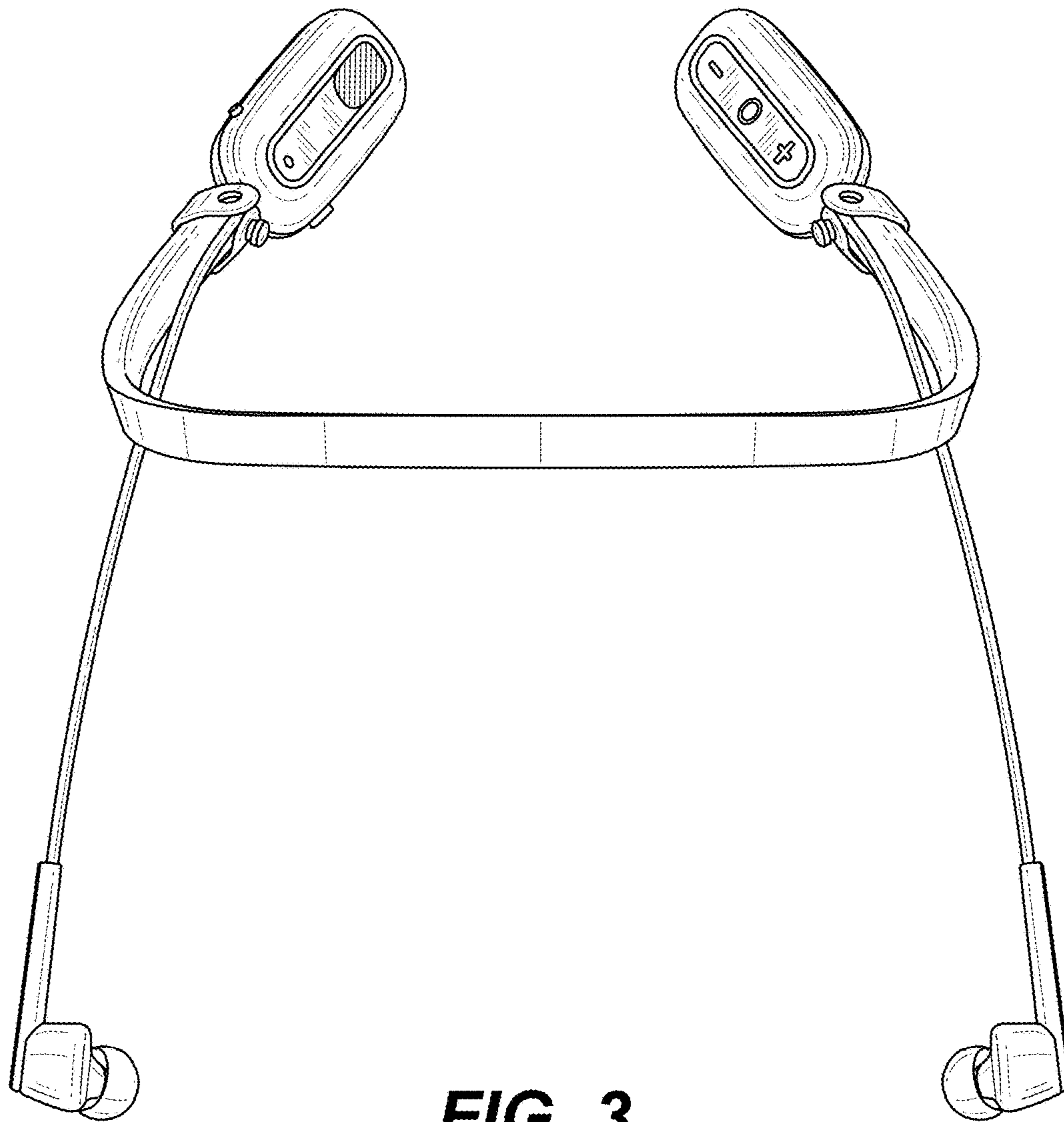


FIG. 3

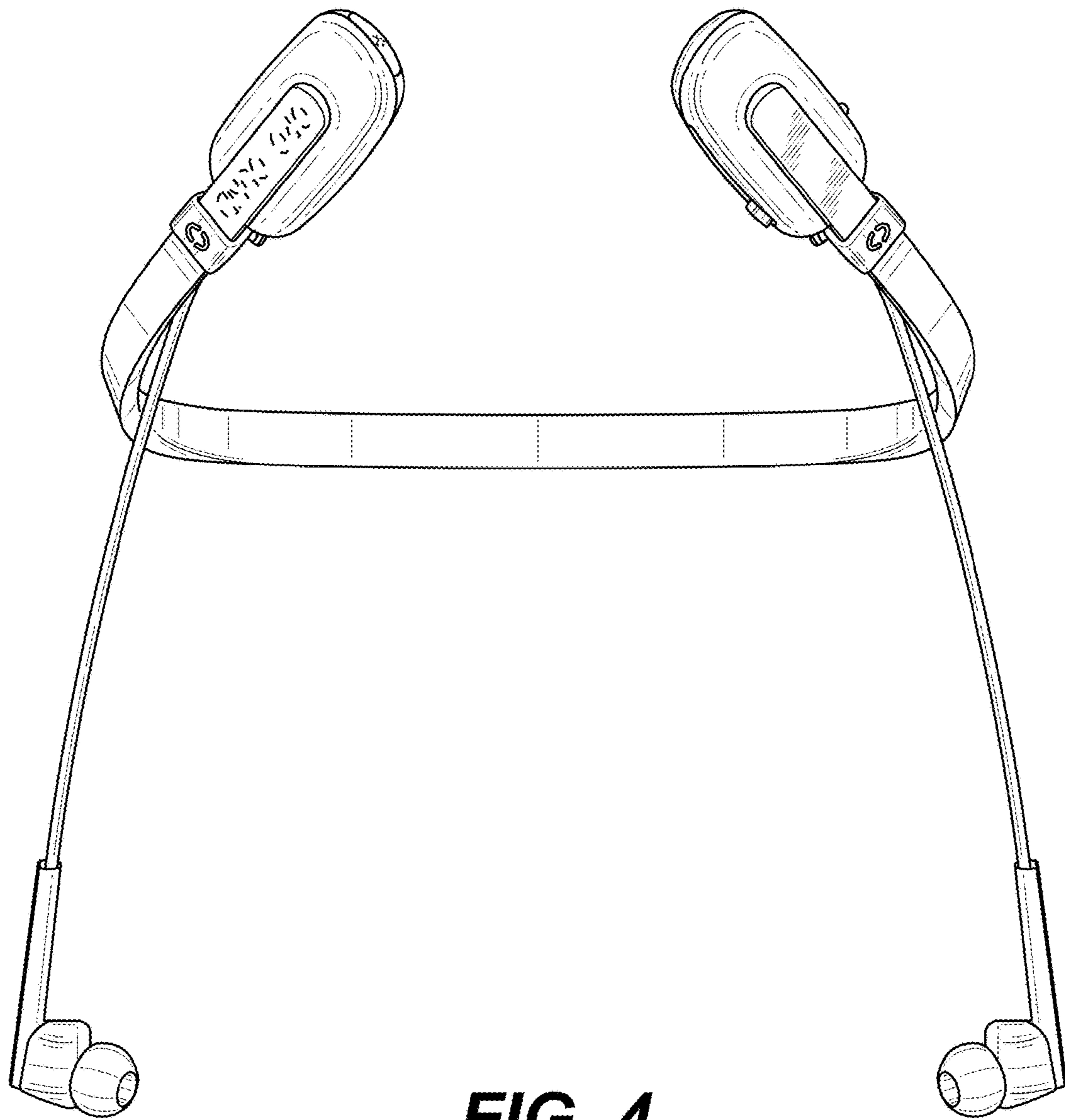


FIG. 4

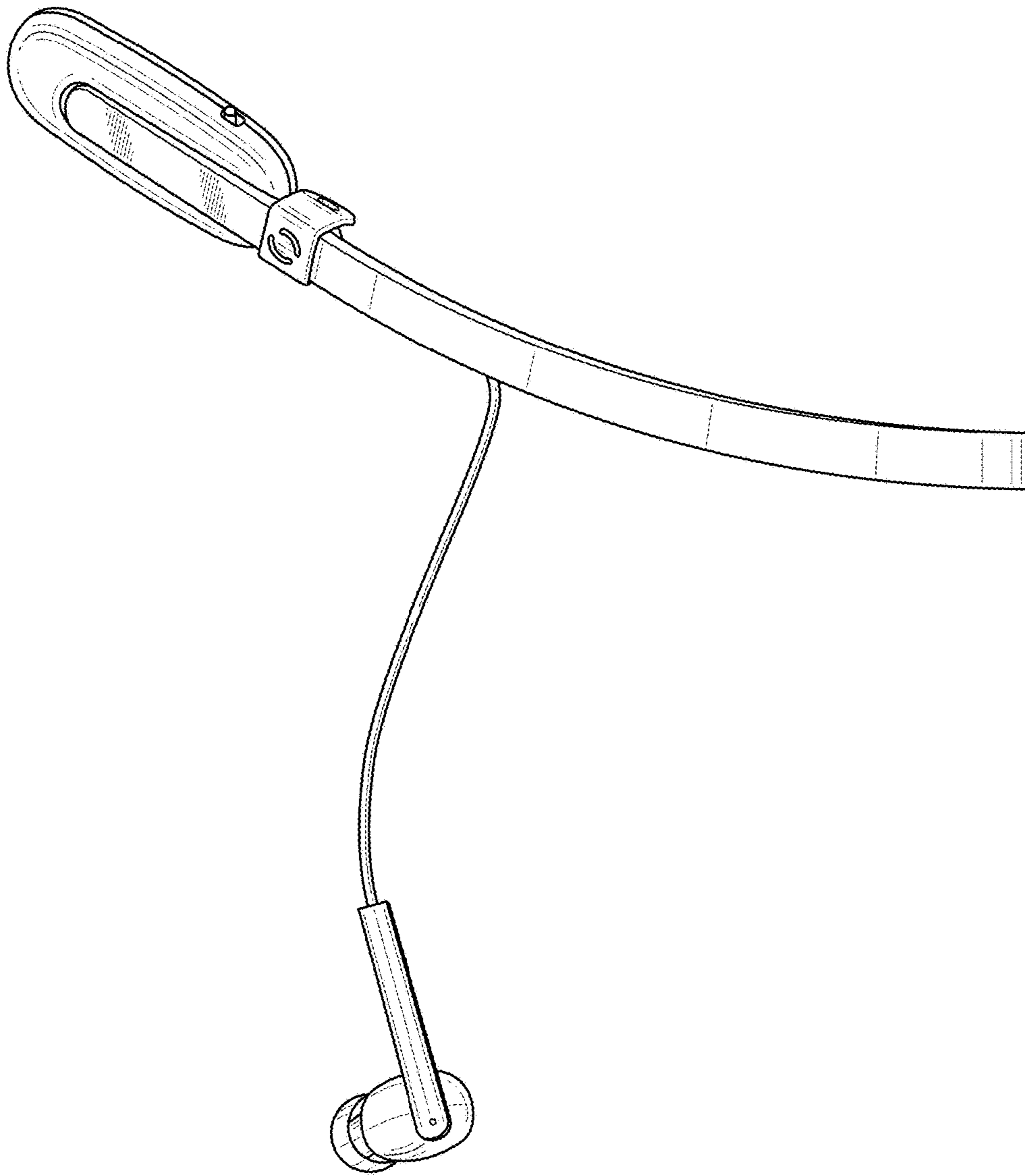


FIG. 5

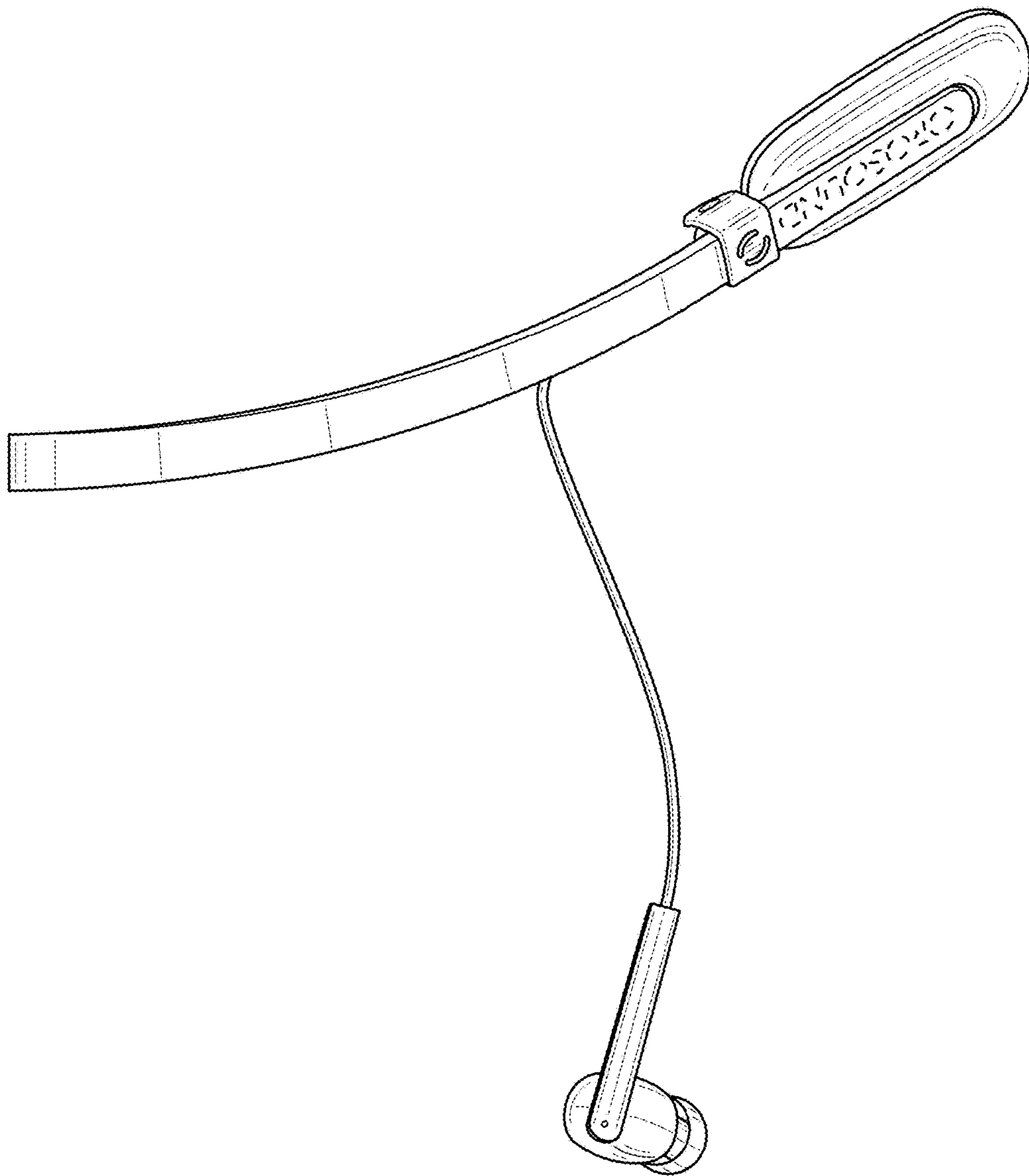


FIG. 6



FIG. 7



FIG. 8

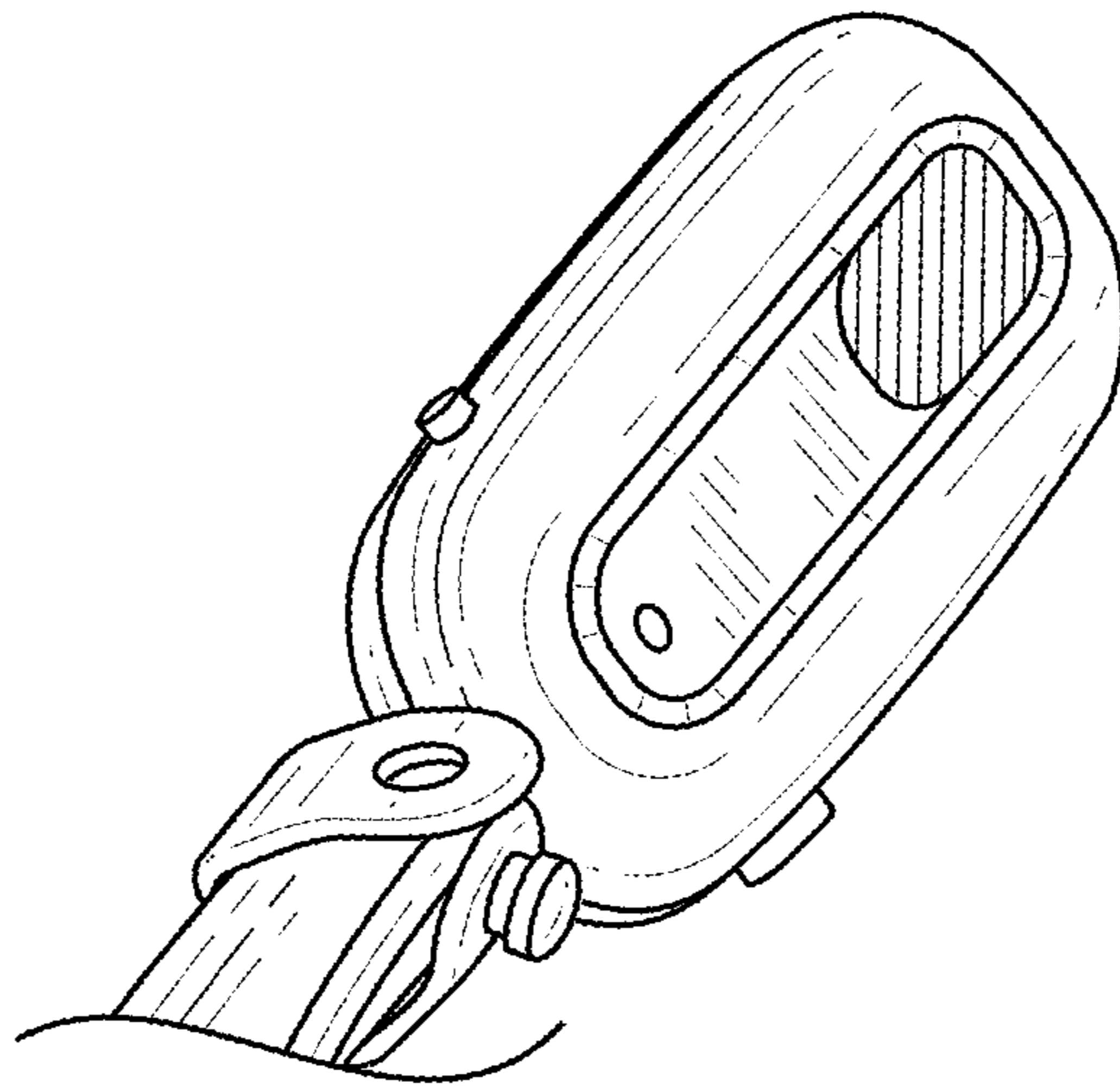


FIG. 9

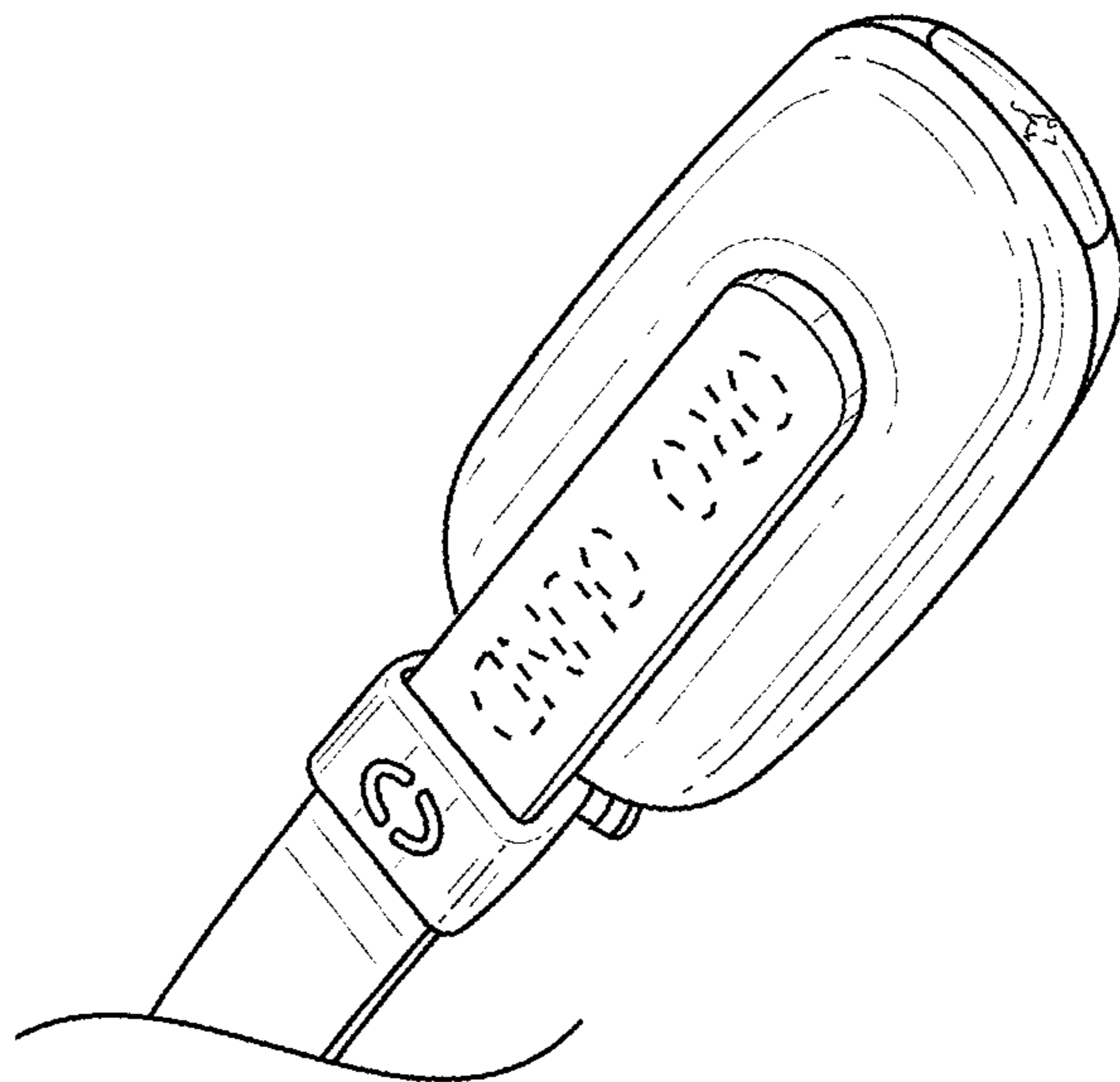


FIG. 10

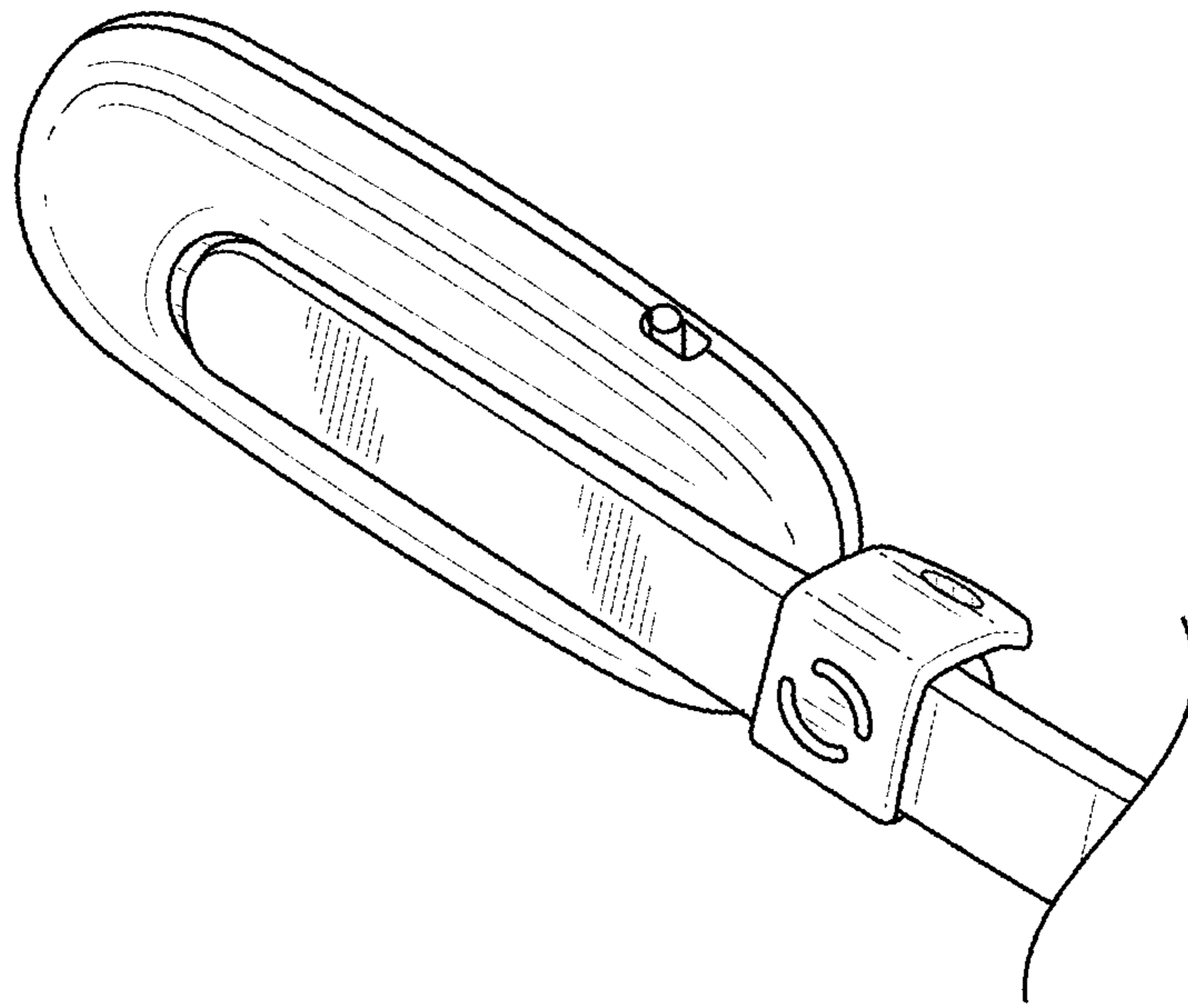


FIG. 11

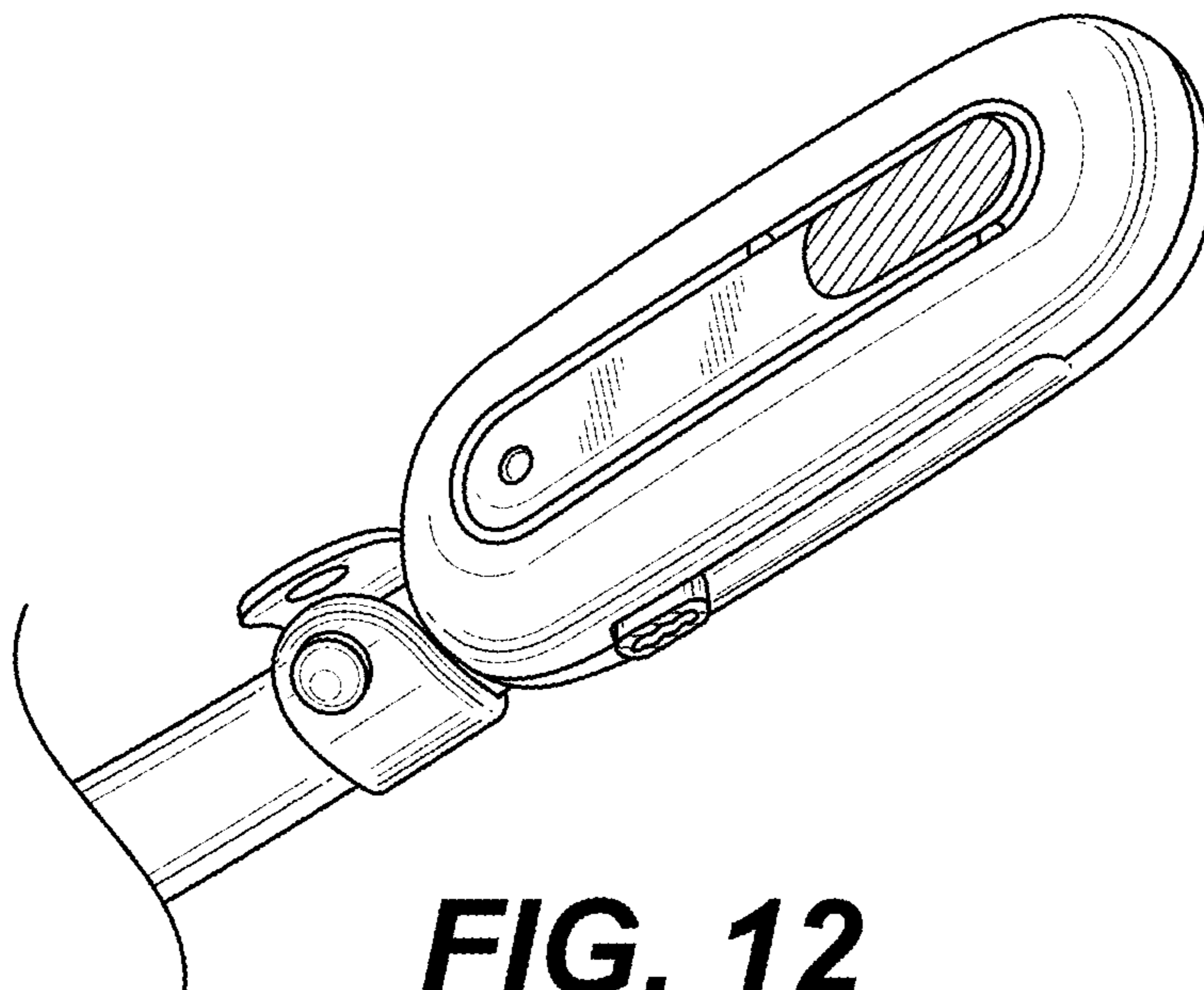


FIG. 12

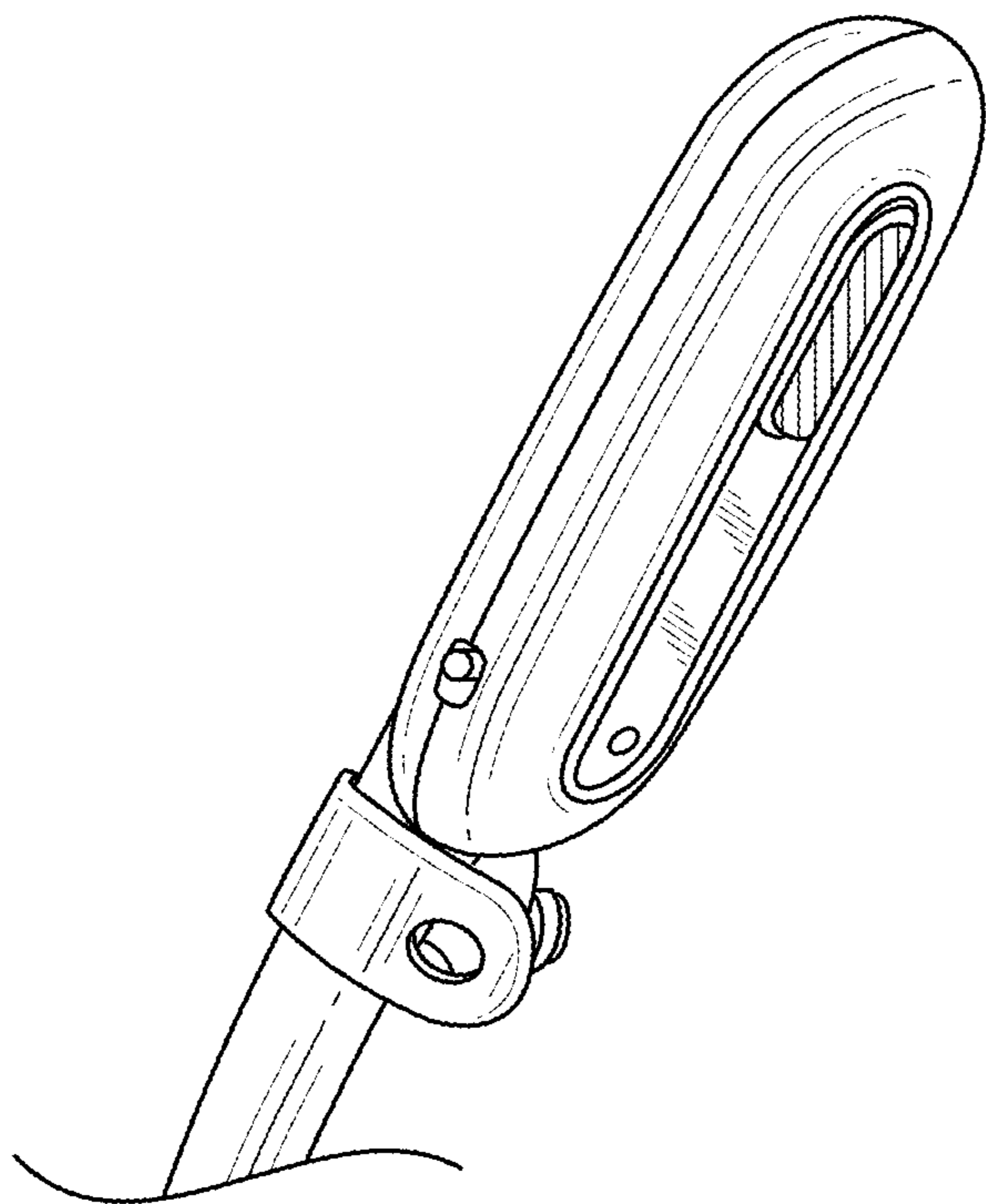


FIG. 13

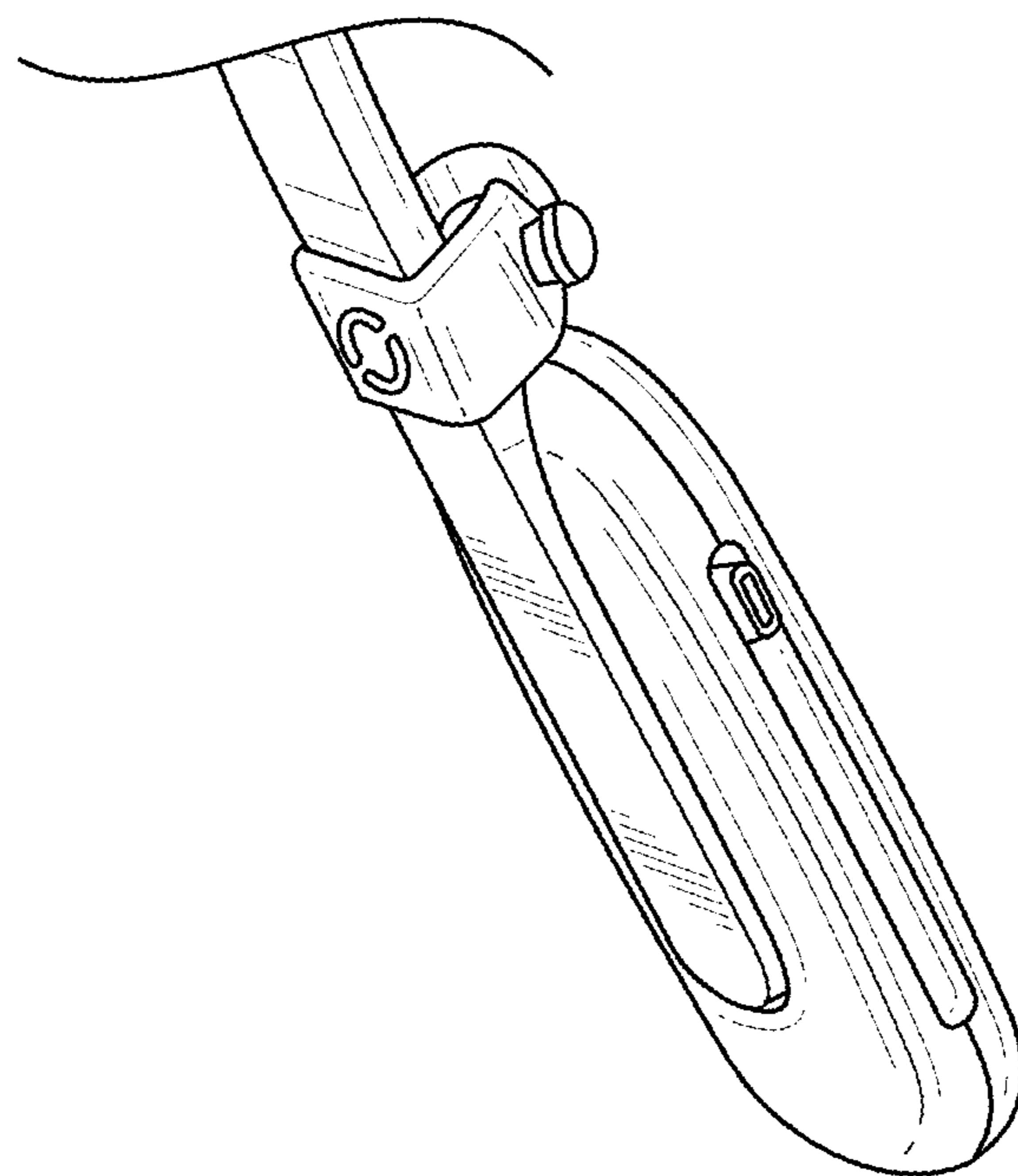


FIG. 14

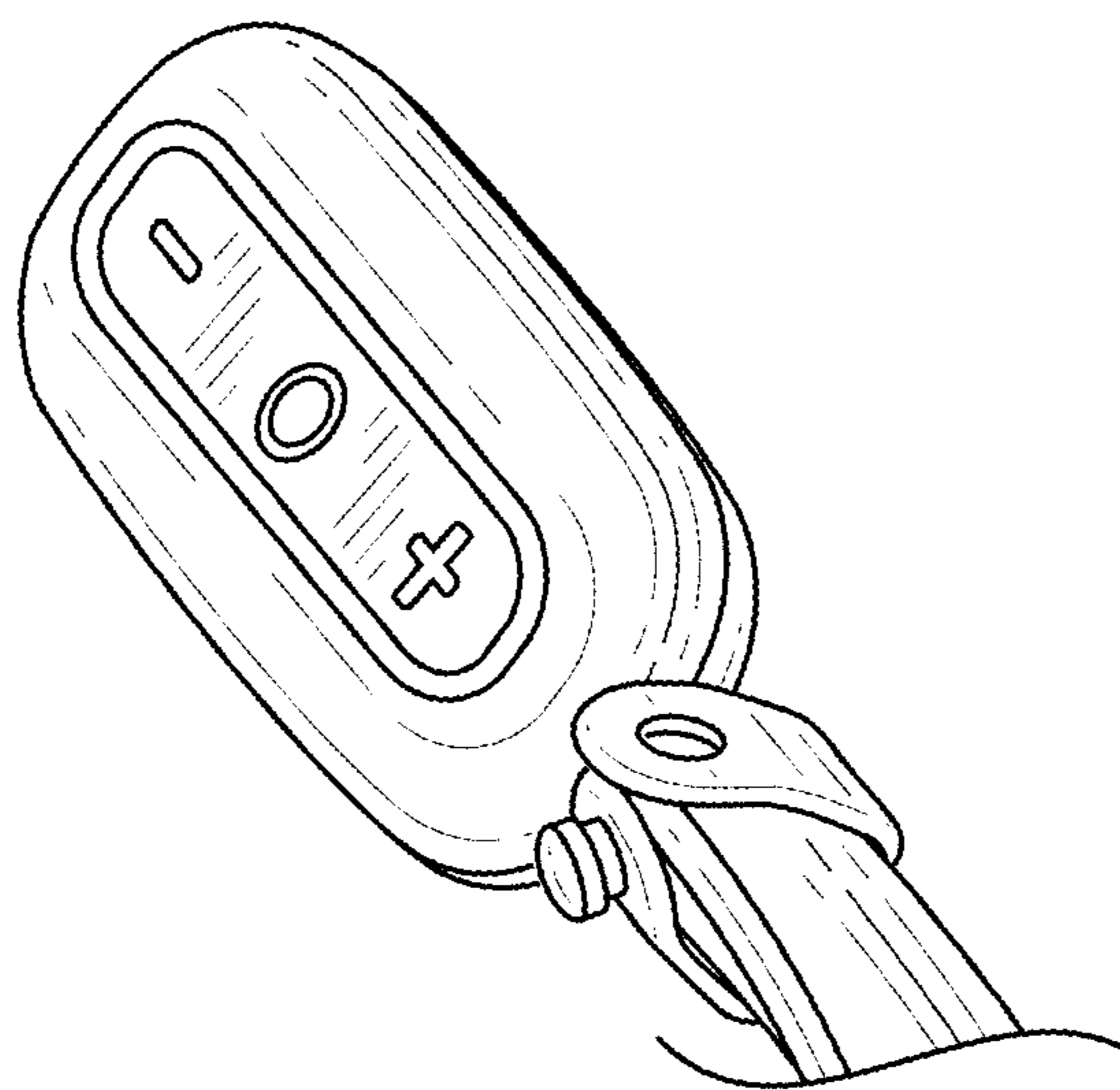


FIG. 15

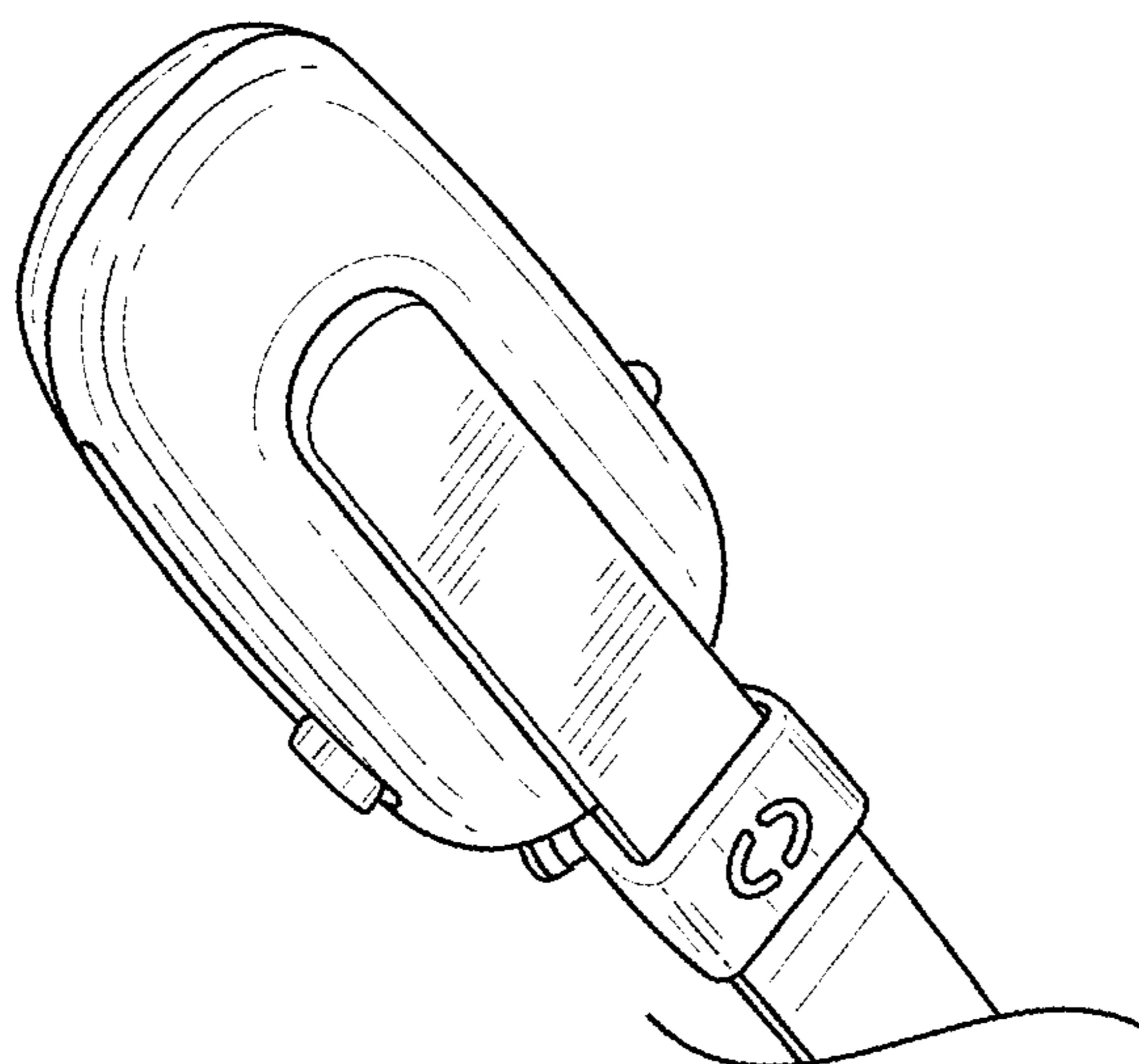


FIG. 16

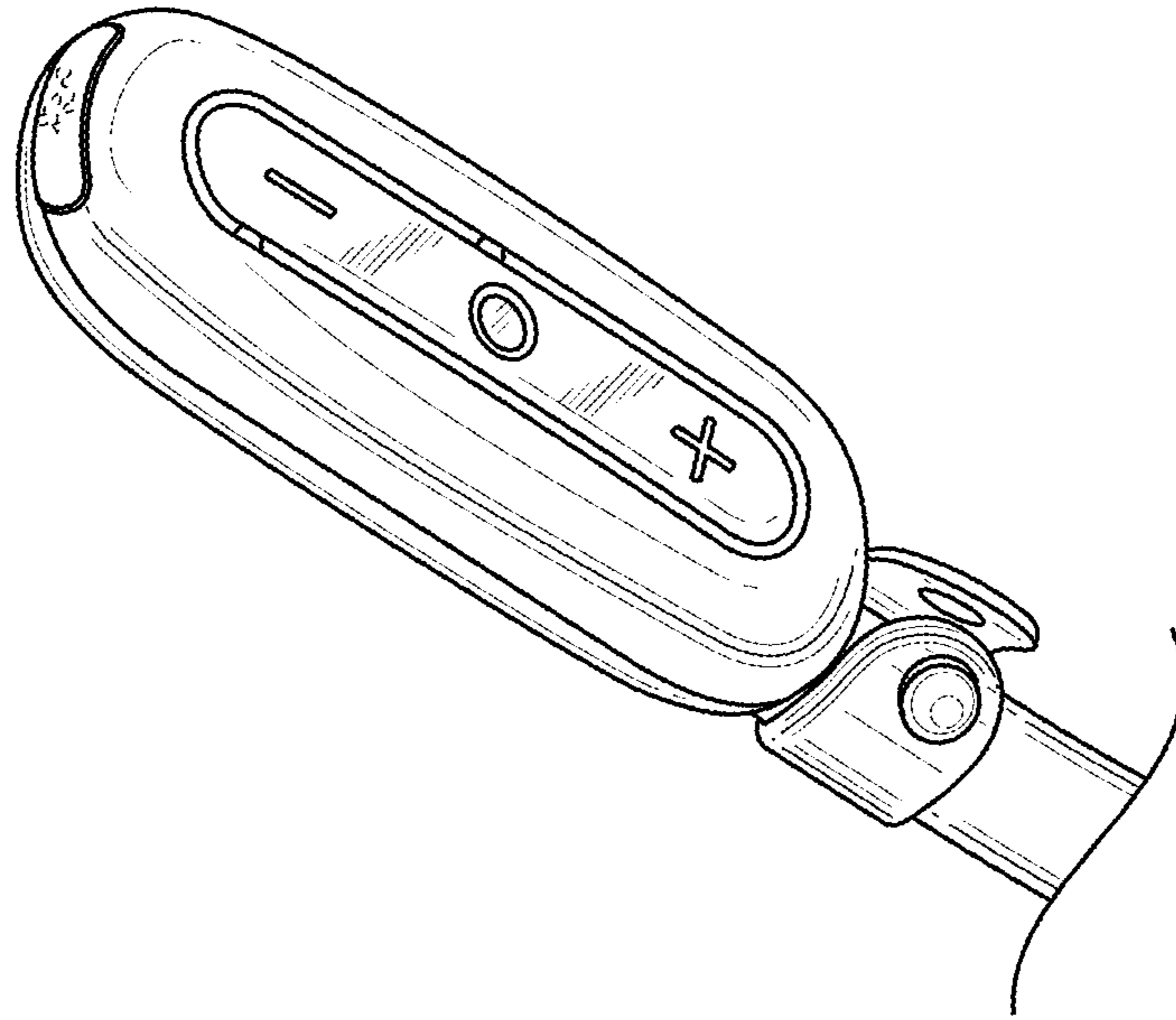


FIG. 17

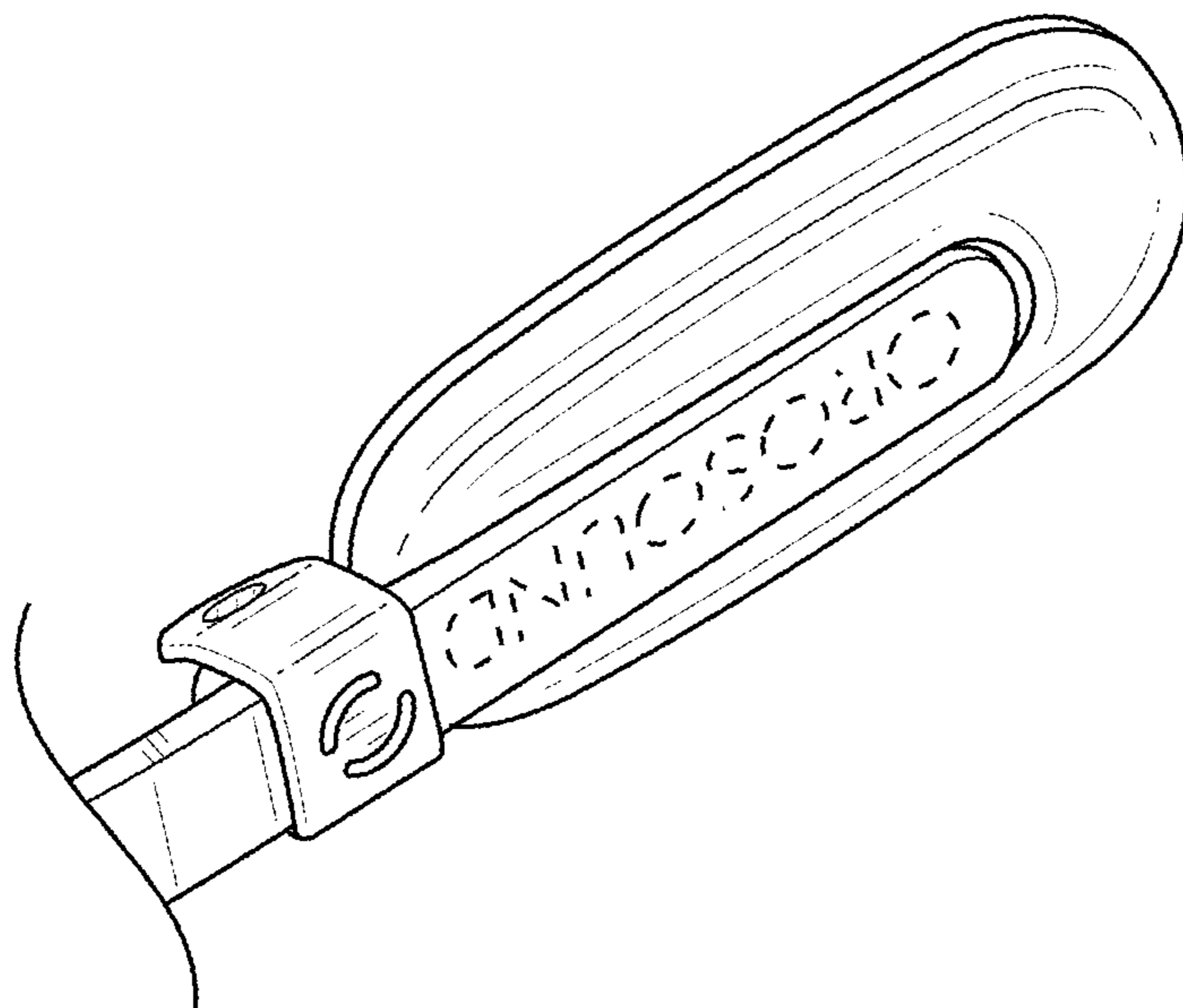


FIG. 18

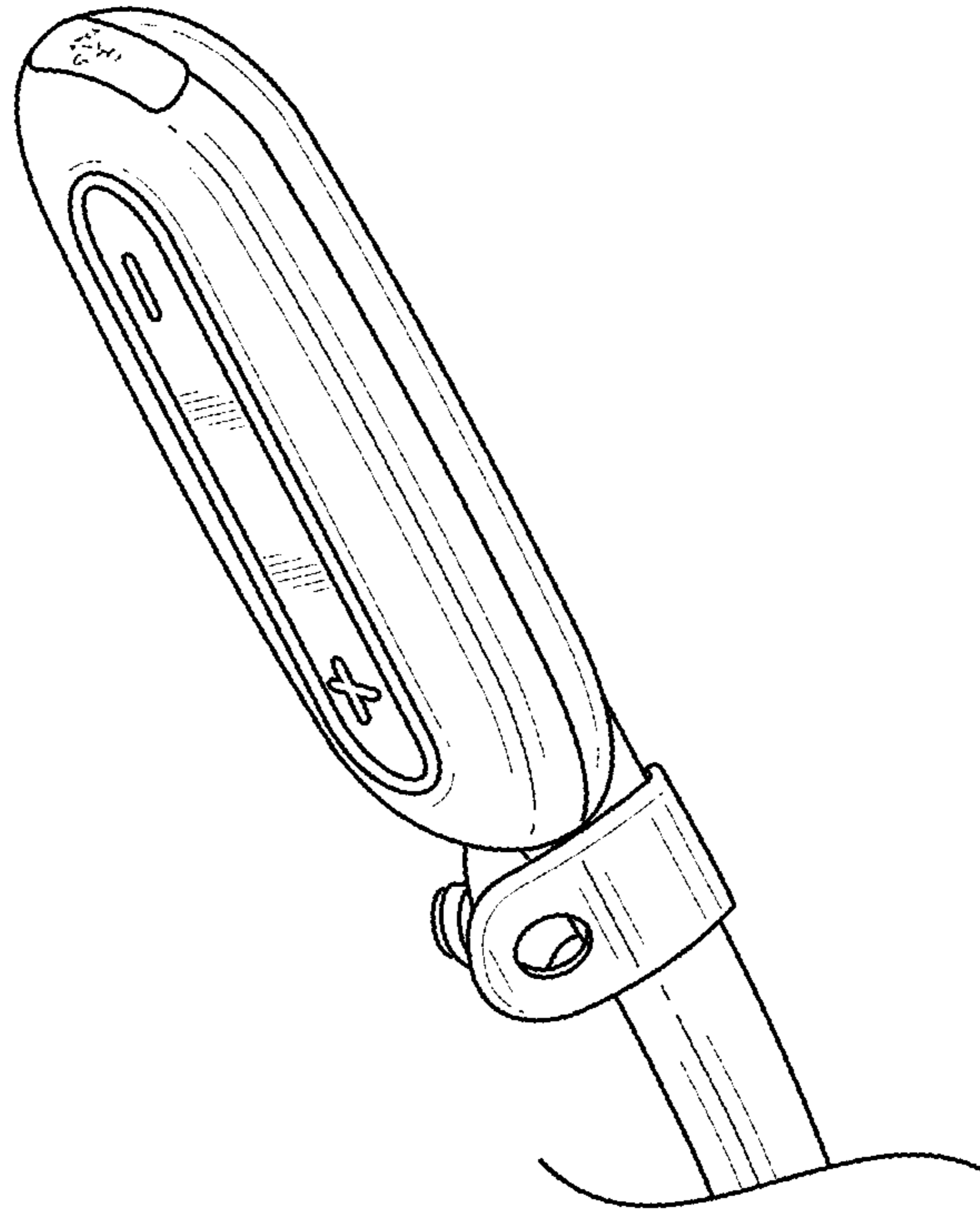


FIG. 19

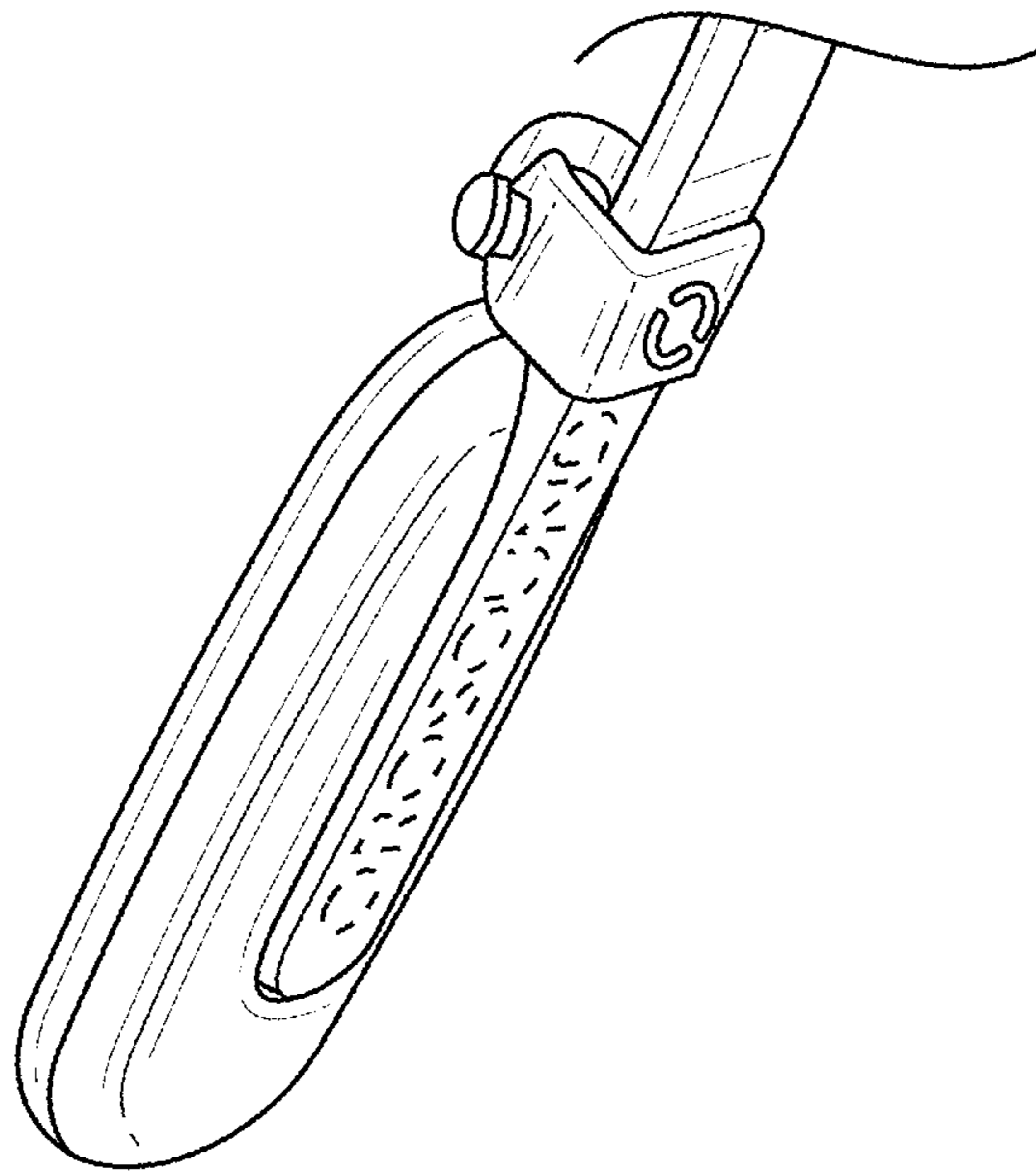


FIG. 20

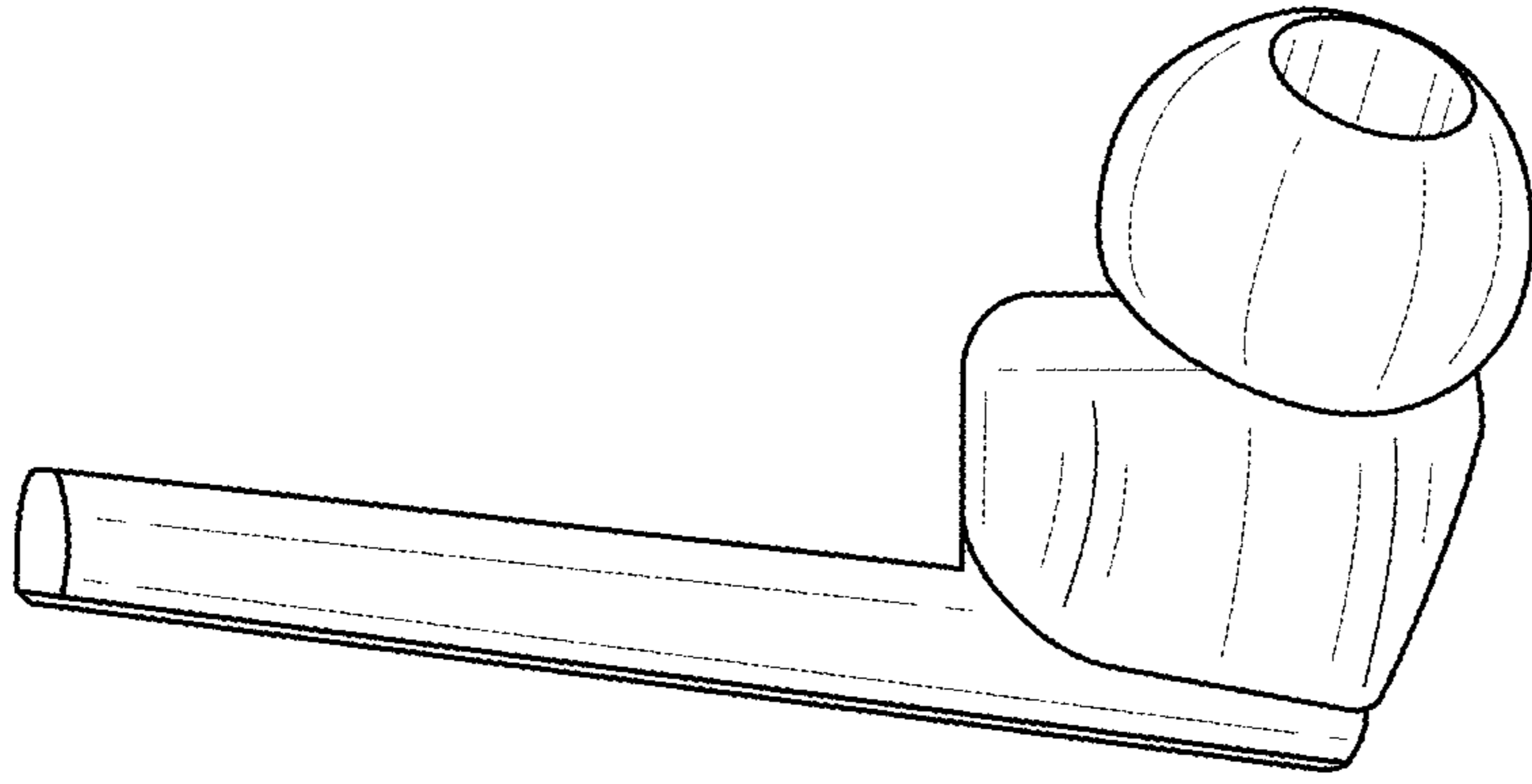


FIG. 22

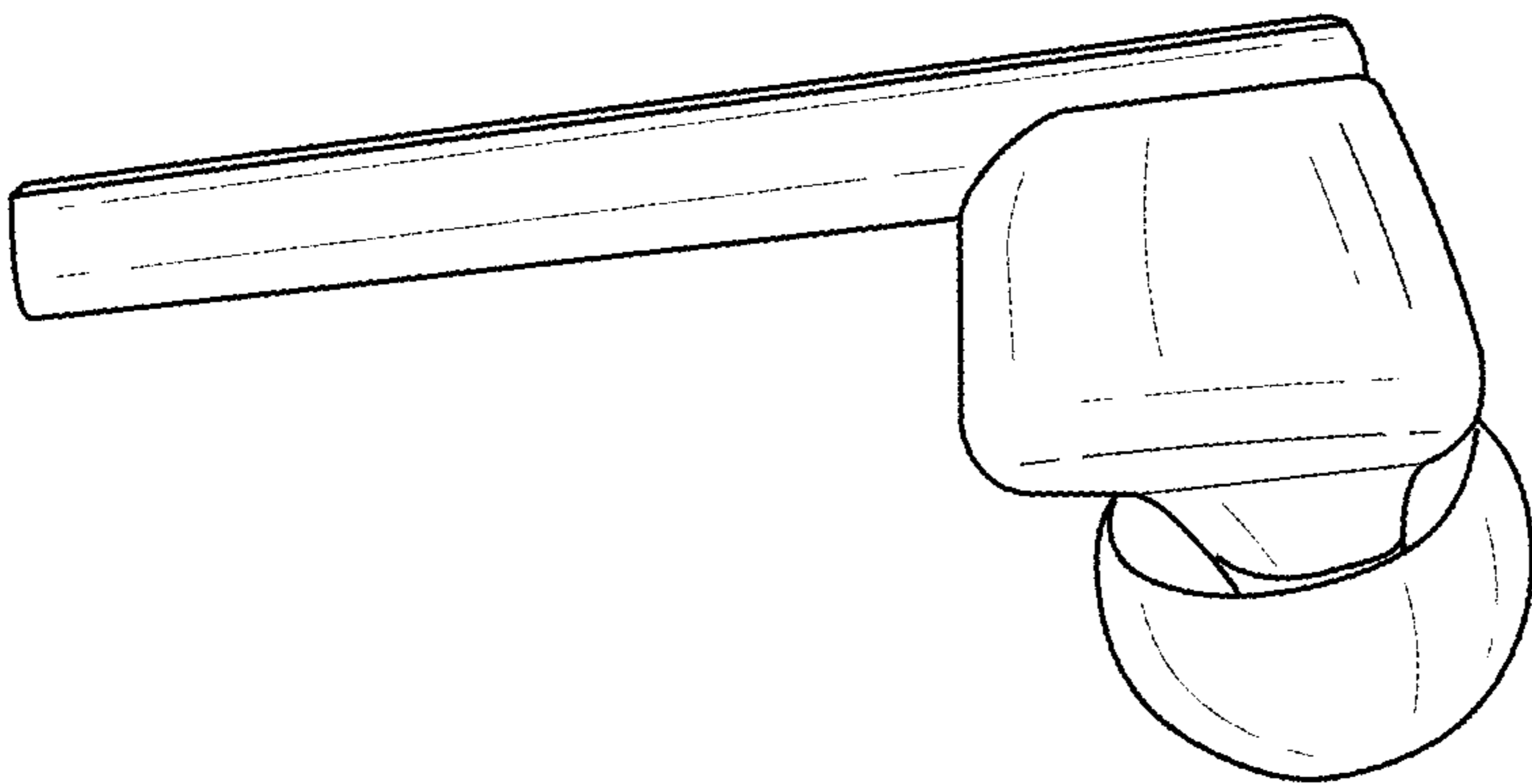


FIG. 21

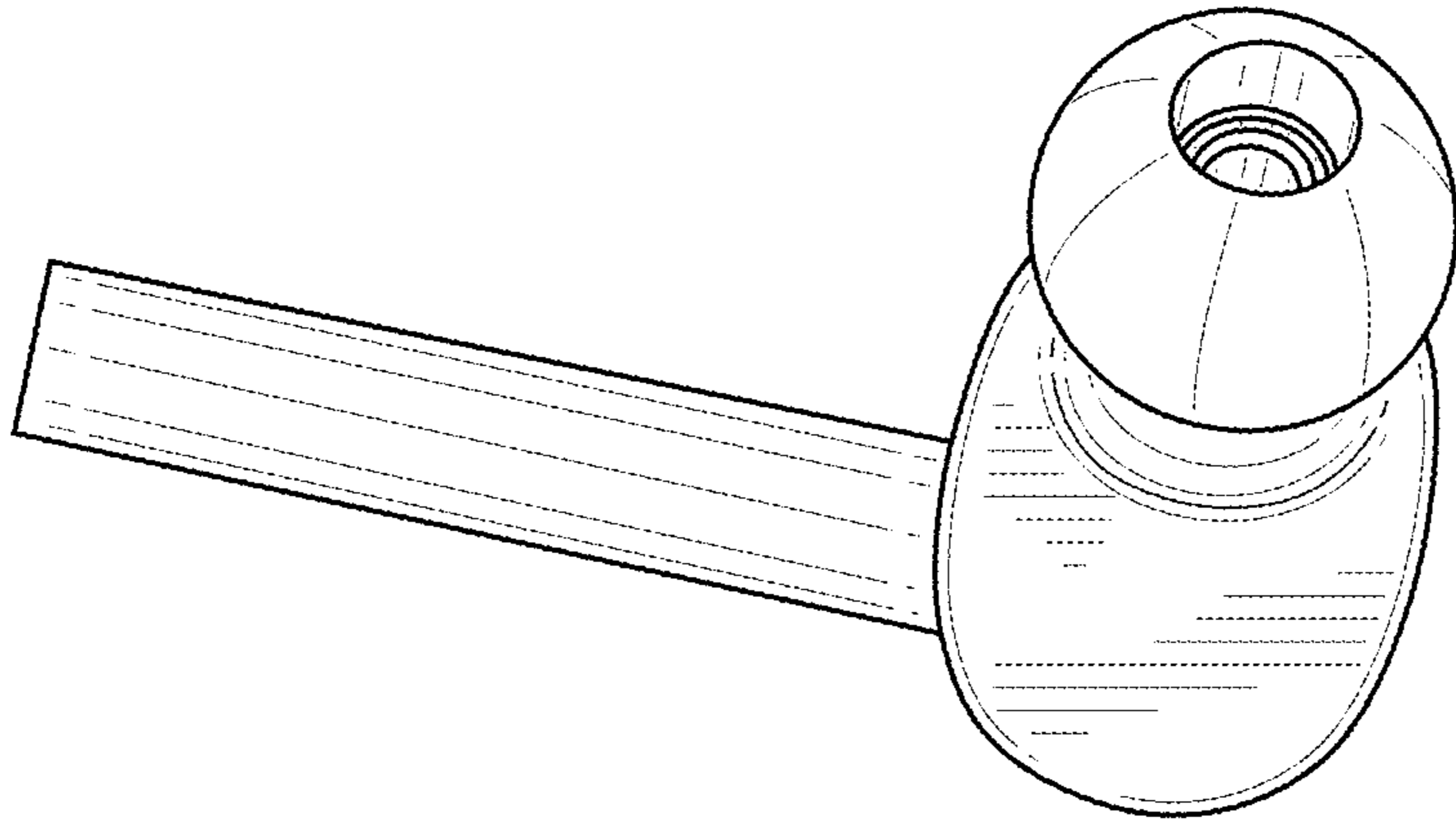


FIG. 24

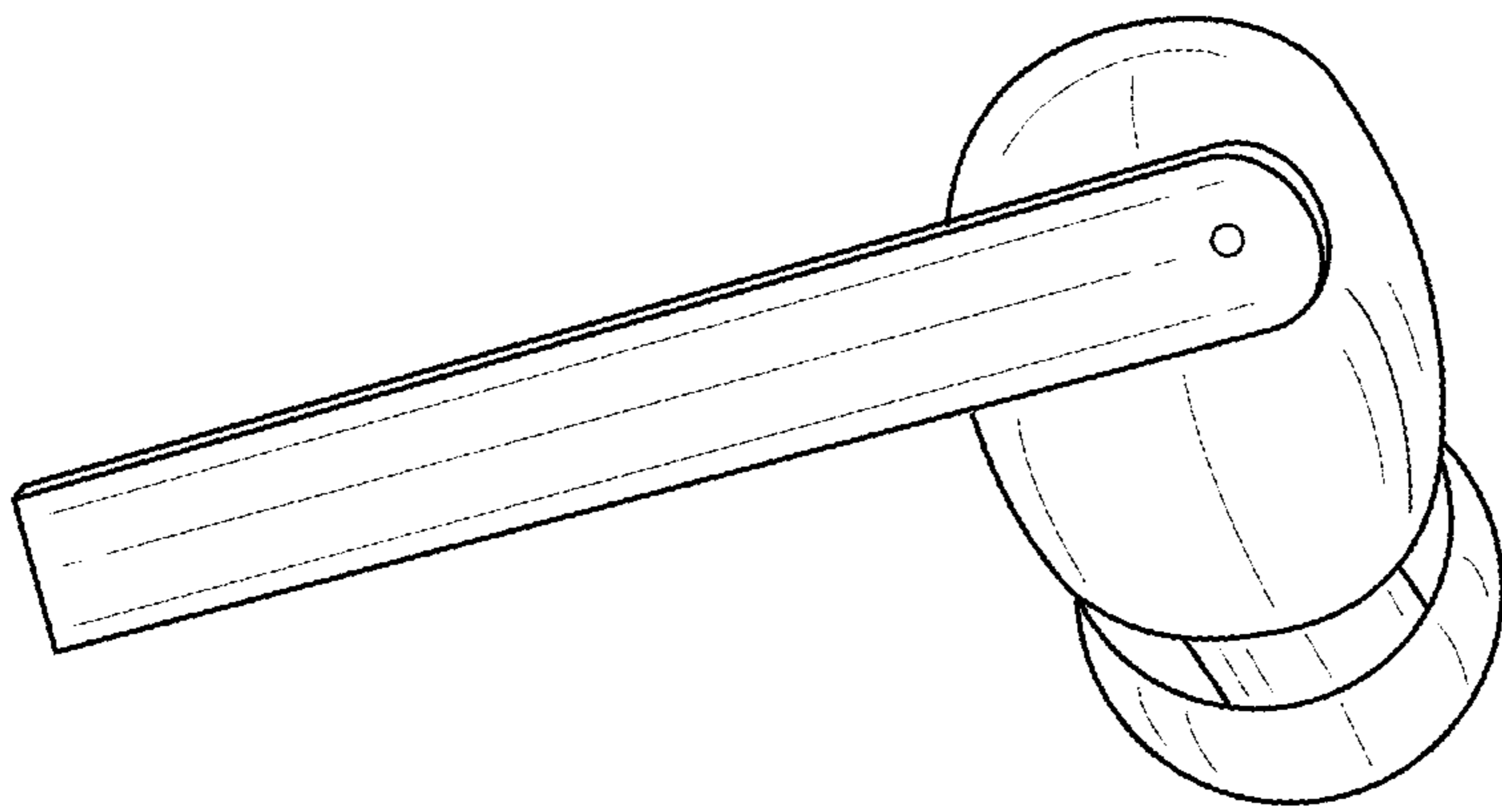


FIG. 23

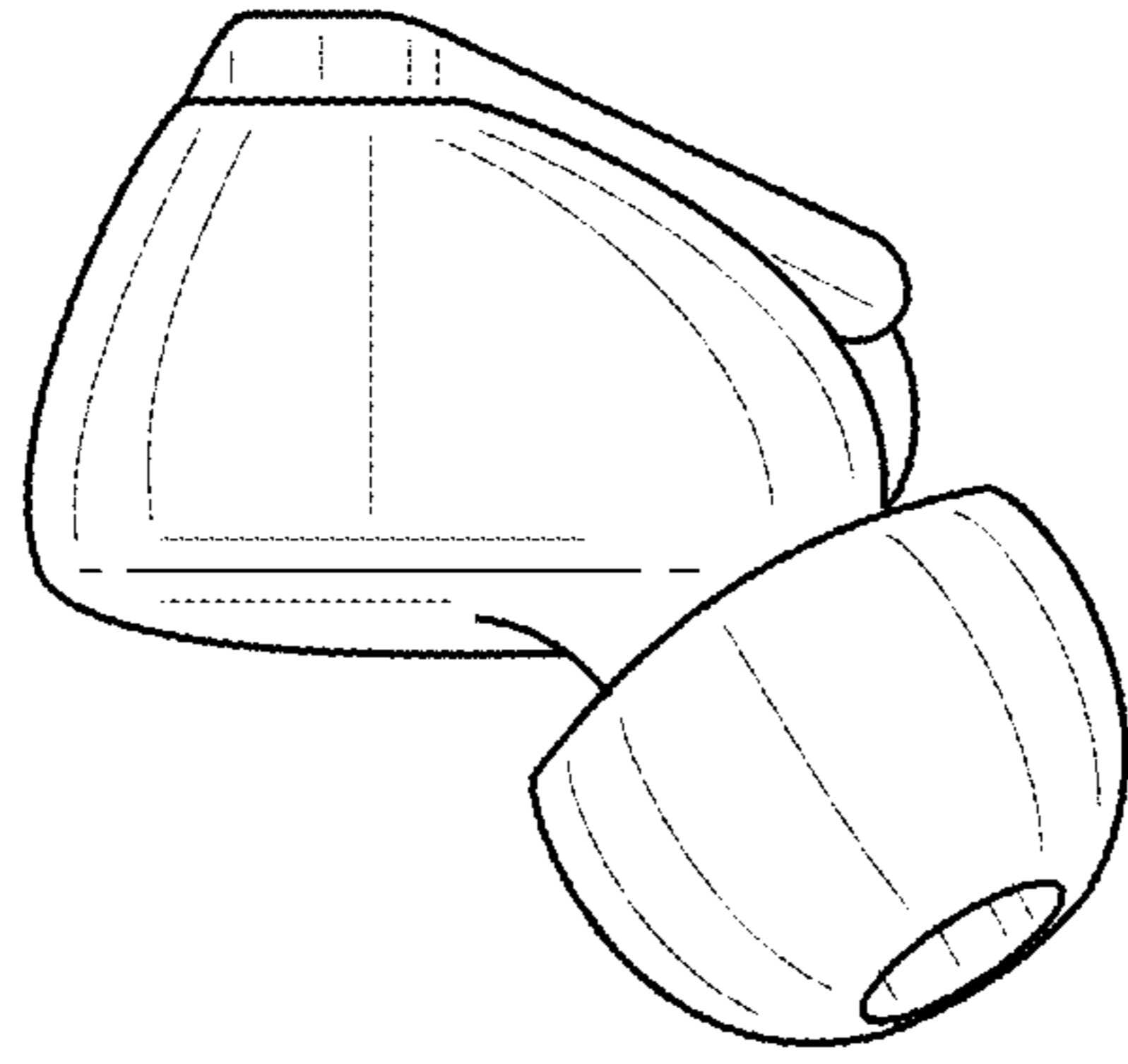


FIG. 26

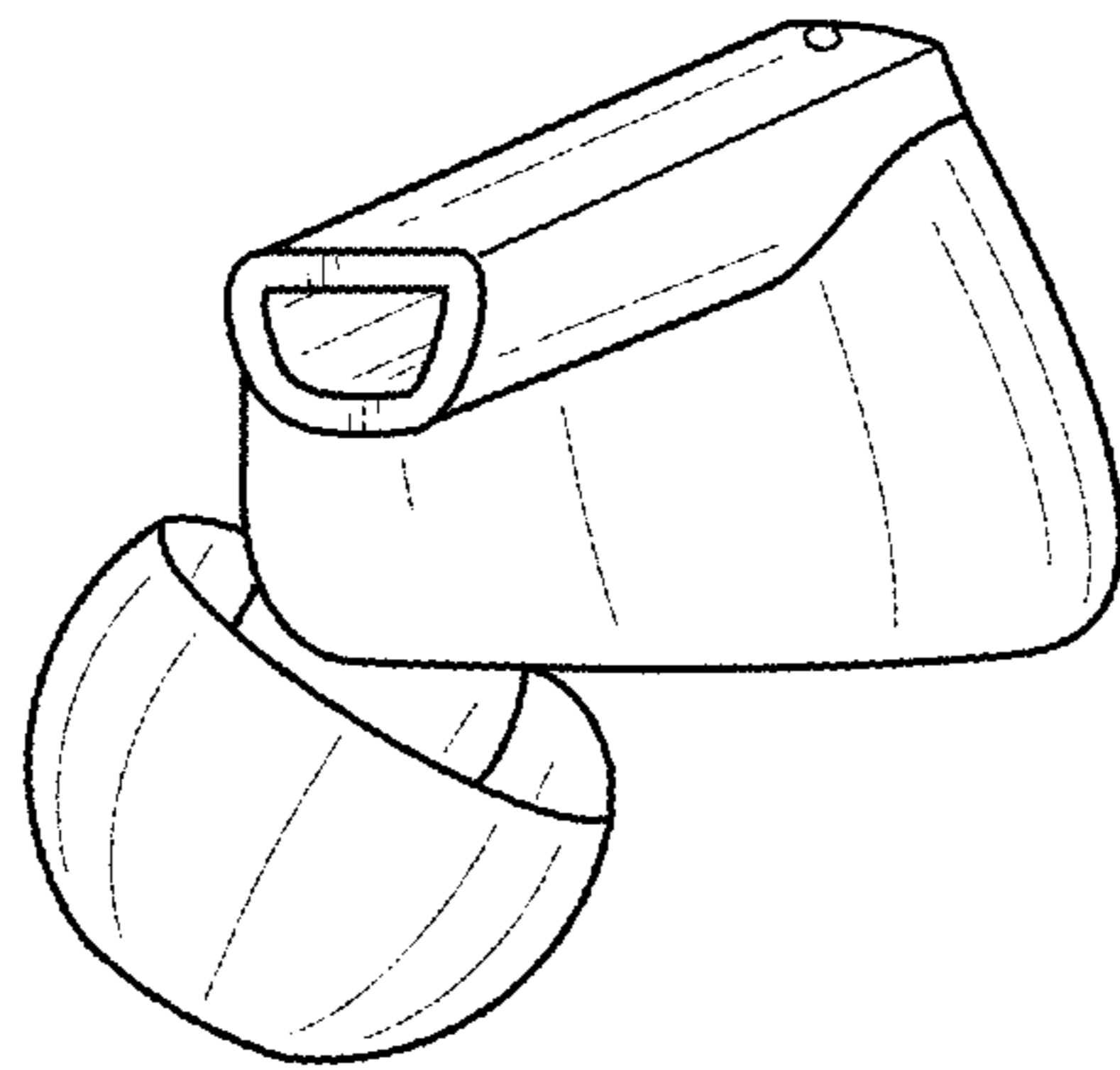


FIG. 25

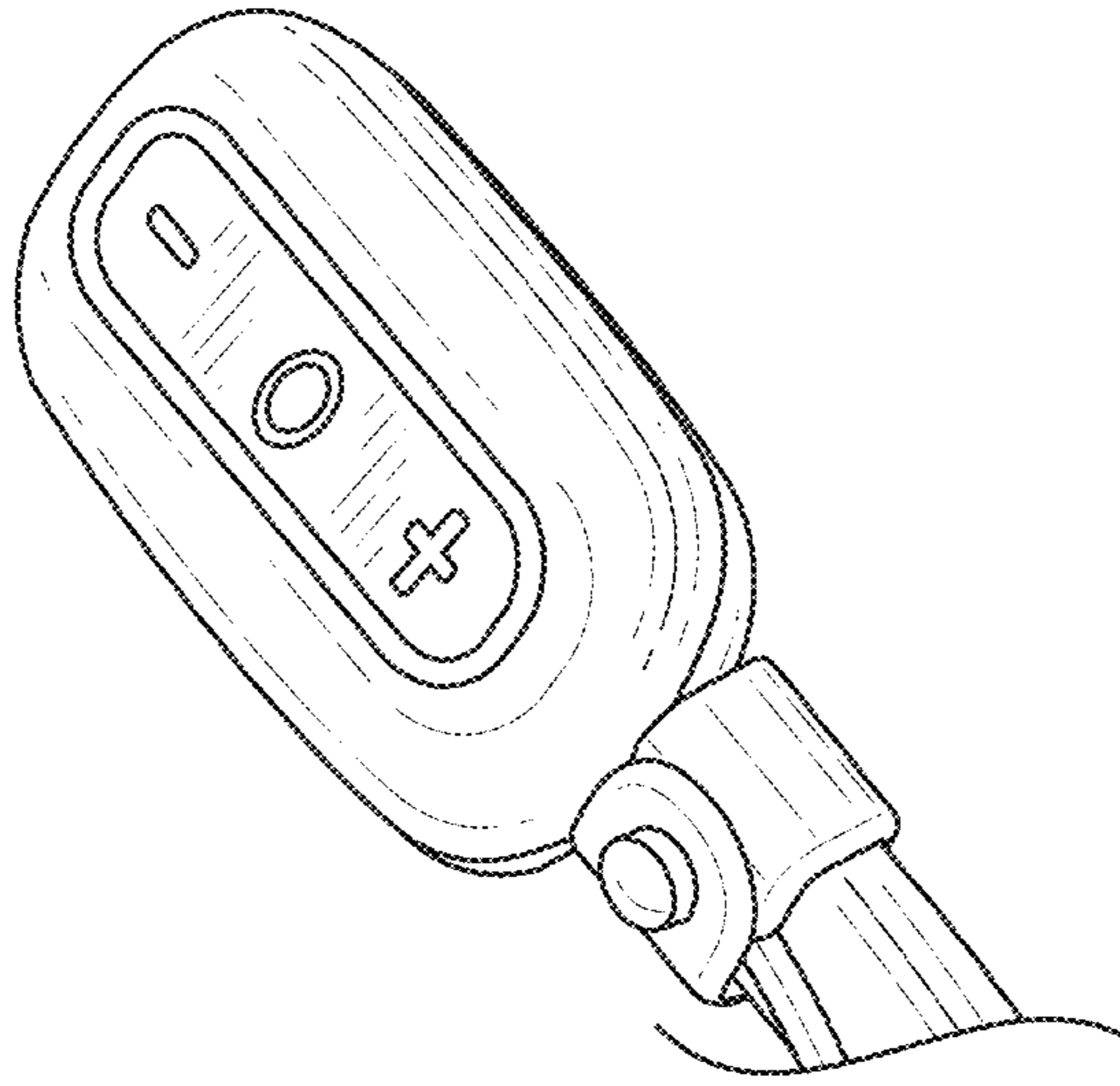


FIG. 27

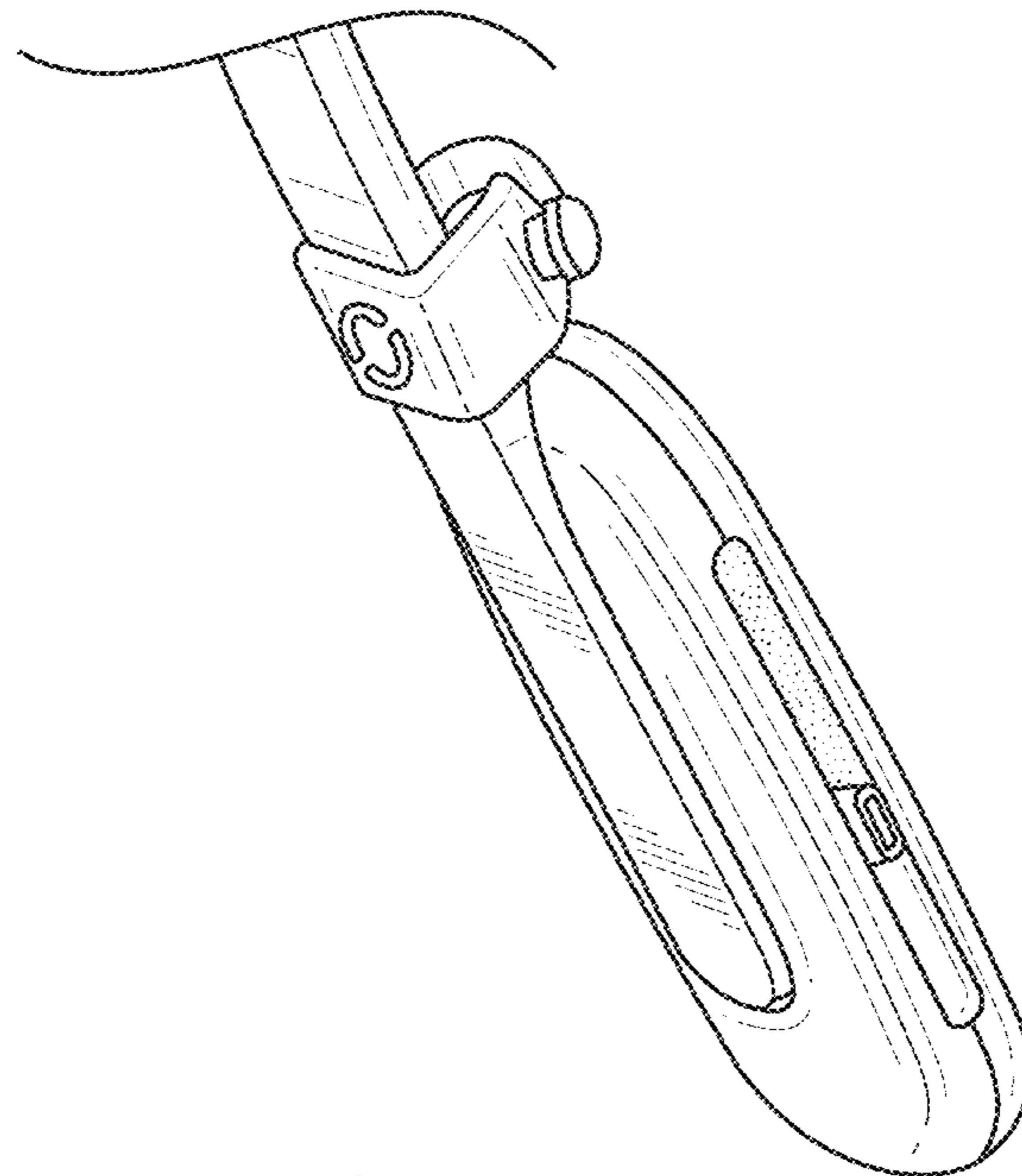


FIG. 28