



US00D823825S

(12) **United States Design Patent** (10) **Patent No.:** **US D823,825 S**
Flores (45) **Date of Patent:** **** Jul. 24, 2018**

(54) **MICROPHONE SPEAKING SHIELD**
 (71) Applicant: **Abel Flores**, Tijeras, NM (US)
 (72) Inventor: **Abel Flores**, Tijeras, NM (US)
 (**) Term: **15 Years**
 (21) Appl. No.: **29/594,979**
 (22) Filed: **Feb. 23, 2017**
 (51) **LOC (11) Cl.** **14-01**
 (52) **U.S. Cl.**
 USPC **D14/154**
 (58) **Field of Classification Search**
 USPC D14/154, 255; D21/780; D24/175;
 381/160; 181/242
 CPC .. H04M 1/19; H04R 1/00; H04R 1/08; H04R
 1/083; H04R 1/406
 See application file for complete search history.

(56) **References Cited**
 U.S. PATENT DOCUMENTS

2,390,488 A *	12/1945	Alford	H04M 1/19 181/242
2,408,474 A	10/1946	Newman		
2,485,278 A *	10/1949	Gilman	H04M 1/03 181/242
2,769,040 A *	10/1956	Di Mattia	H04M 1/03 381/354
2,798,122 A *	7/1957	Ungarsohn	H04M 1/19 181/198
2,848,565 A *	8/1958	Webb	H04M 1/19 181/242
D189,450 S *	12/1960	Consino	181/20
D199,128 S *	9/1964	Madsen	D21/780
D203,115 S *	12/1965	MacFarlane	D24/175
3,280,003 A	10/1966	Lucien		
4,314,098 A *	2/1982	Maerfeld	H04R 1/406 381/160
4,939,703 A *	7/1990	Muller	G10K 11/26 381/160

5,103,927 A *	4/1992	Heavener	H04R 1/342 381/160
5,413,094 A *	5/1995	McBrearty	G10K 11/16 181/242
5,748,757 A *	5/1998	Kubli	H04R 1/406 381/160
5,764,782 A *	6/1998	Hayes	H04R 1/34 381/160
D462,091 S *	8/2002	Lowder	D19/86
D478,953 S *	8/2003	Nobriga	D21/780
D528,180 S *	9/2006	Rathbun	D21/780

(Continued)

Primary Examiner — Sandra L Morris
 (74) *Attorney, Agent, or Firm* — Shannon L Warren

(57) **CLAIM**

The ornamental design for a microphone speaking shield, as shown and described.

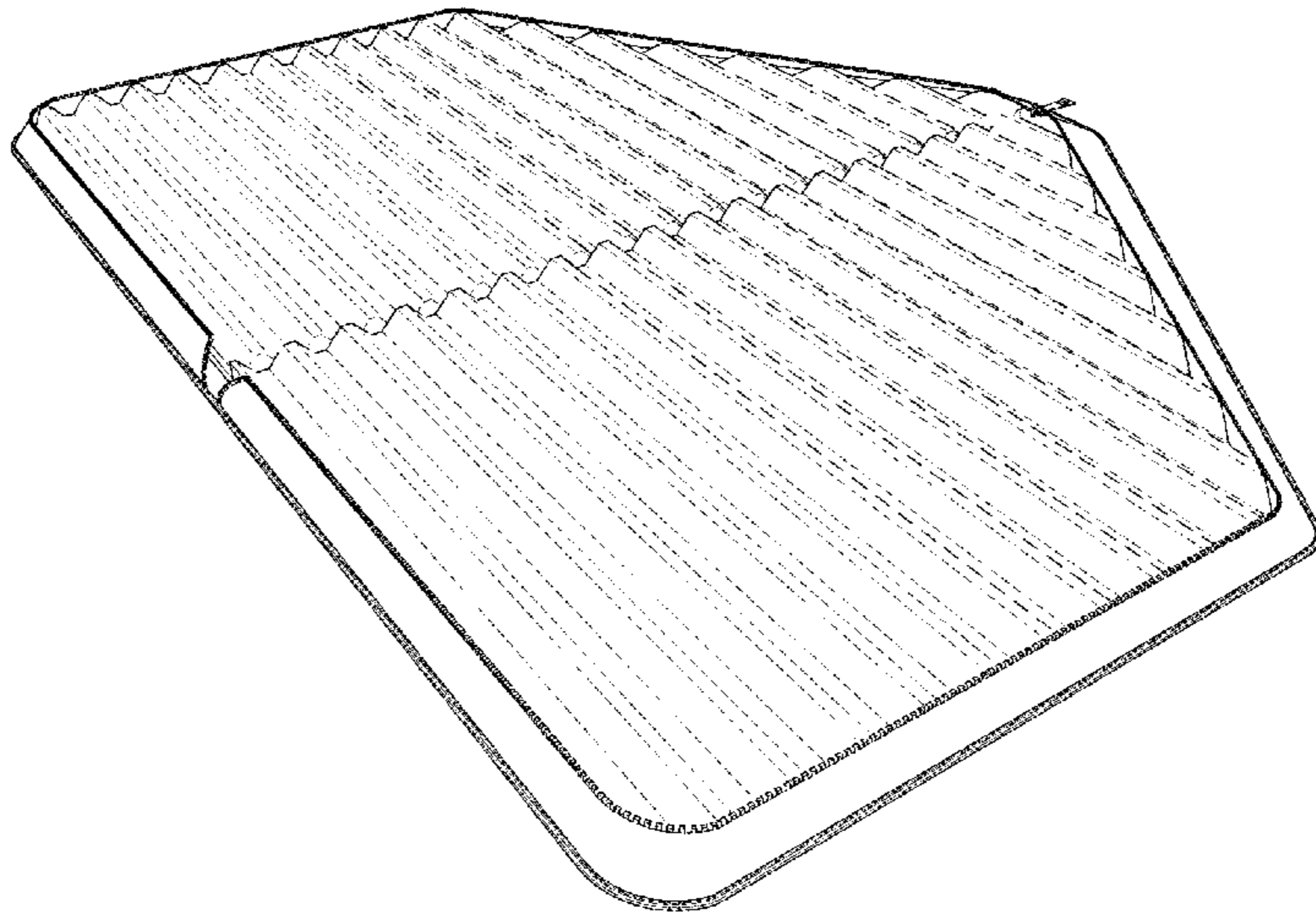
DESCRIPTION

Known prior art includes U.S. Pat. No. 5,413,094, U.S. Pat. No. 2,848,565A, U.S. Pat. No. 2,485,278, U.S. Pat. No. 2,408,474 A, U.S. Pat. No. 2,390,488 A, and U.S. Pat. No. 2,769,040 A.

FIG. 1 illustrates a perspective overview of a microphone speaking shield;
 FIG. 2 illustrates a perspective rear view thereof;
 FIG. 3 illustrates a perspective overview thereof in a partially folded configuration and in use;
 FIG. 4 illustrates a first side view thereof in a closed configuration;
 FIG. 5 illustrates a front side view thereof in a closed configuration;
 FIG. 6 illustrates a second side view thereof in a closed configuration; and,
 FIG. 7 illustrates a top side view thereof in a closed configuration.

Dashed lines are included but not claimed, as is known in the art.

1 Claim, 4 Drawing Sheets



(56)

References Cited

U.S. PATENT DOCUMENTS

D534,232 S *	12/2006	Rathbun	D21/780
D621,839 S *	8/2010	Sweet	D14/229
D634,365 S *	3/2011	Martinez	D19/65
D672,352 S *	12/2012	Gengler	D14/440
8,731,219 B2 *	5/2014	Weiss	H04R 1/00 381/160
D738,345 S *	9/2015	Webb	D14/154
D766,202 S *	9/2016	Webb	D14/154

* cited by examiner

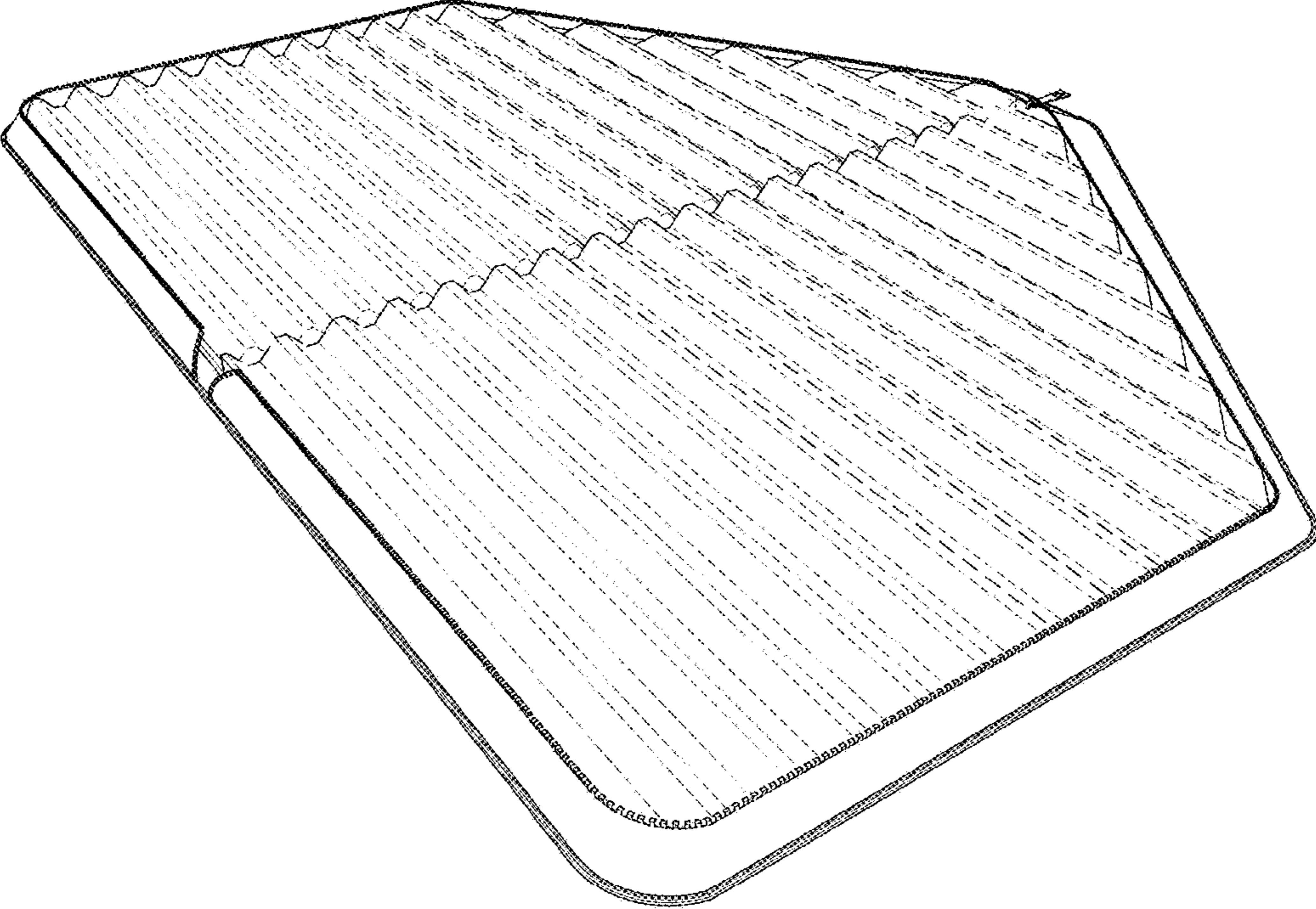


FIG. 1

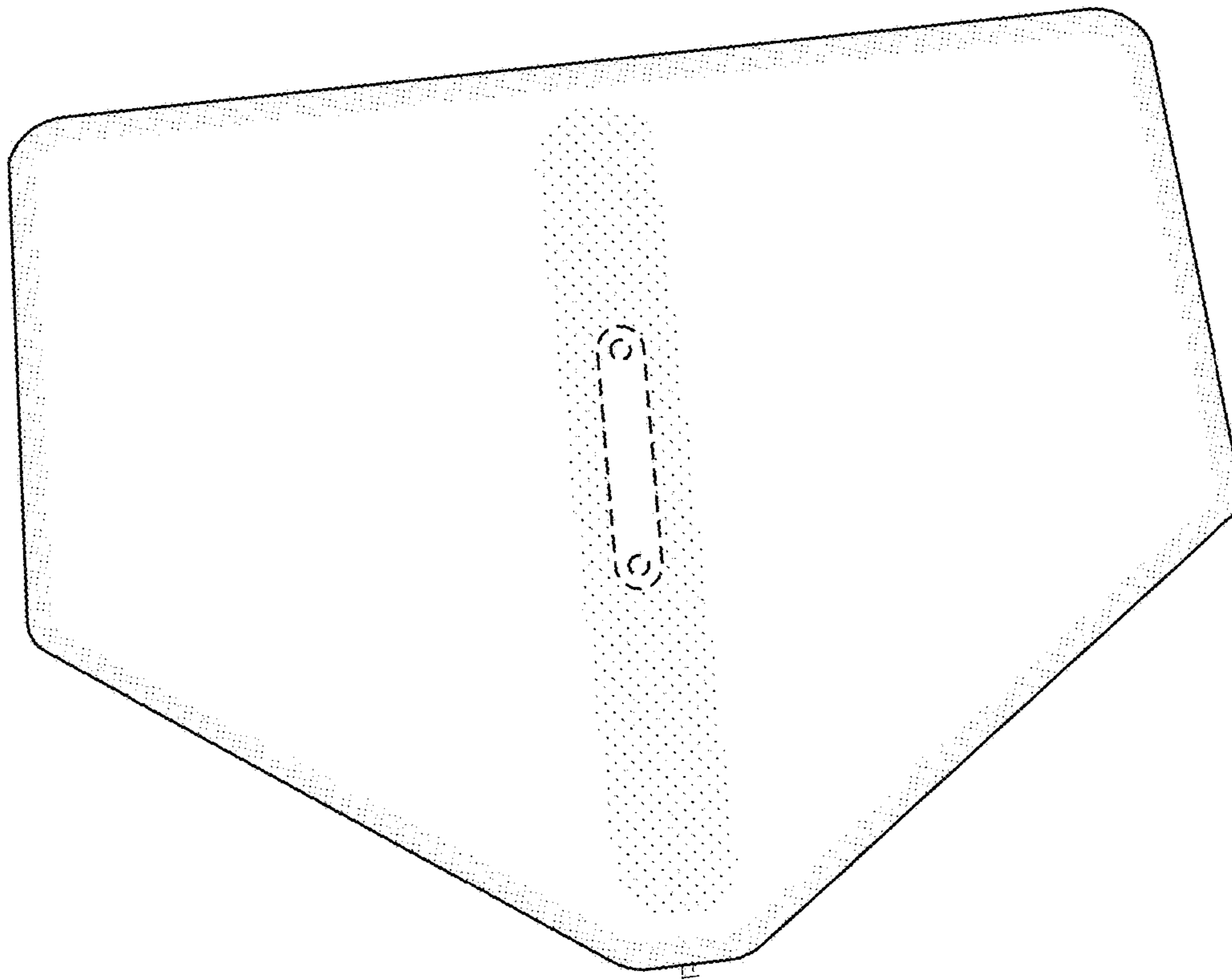


FIG. 2

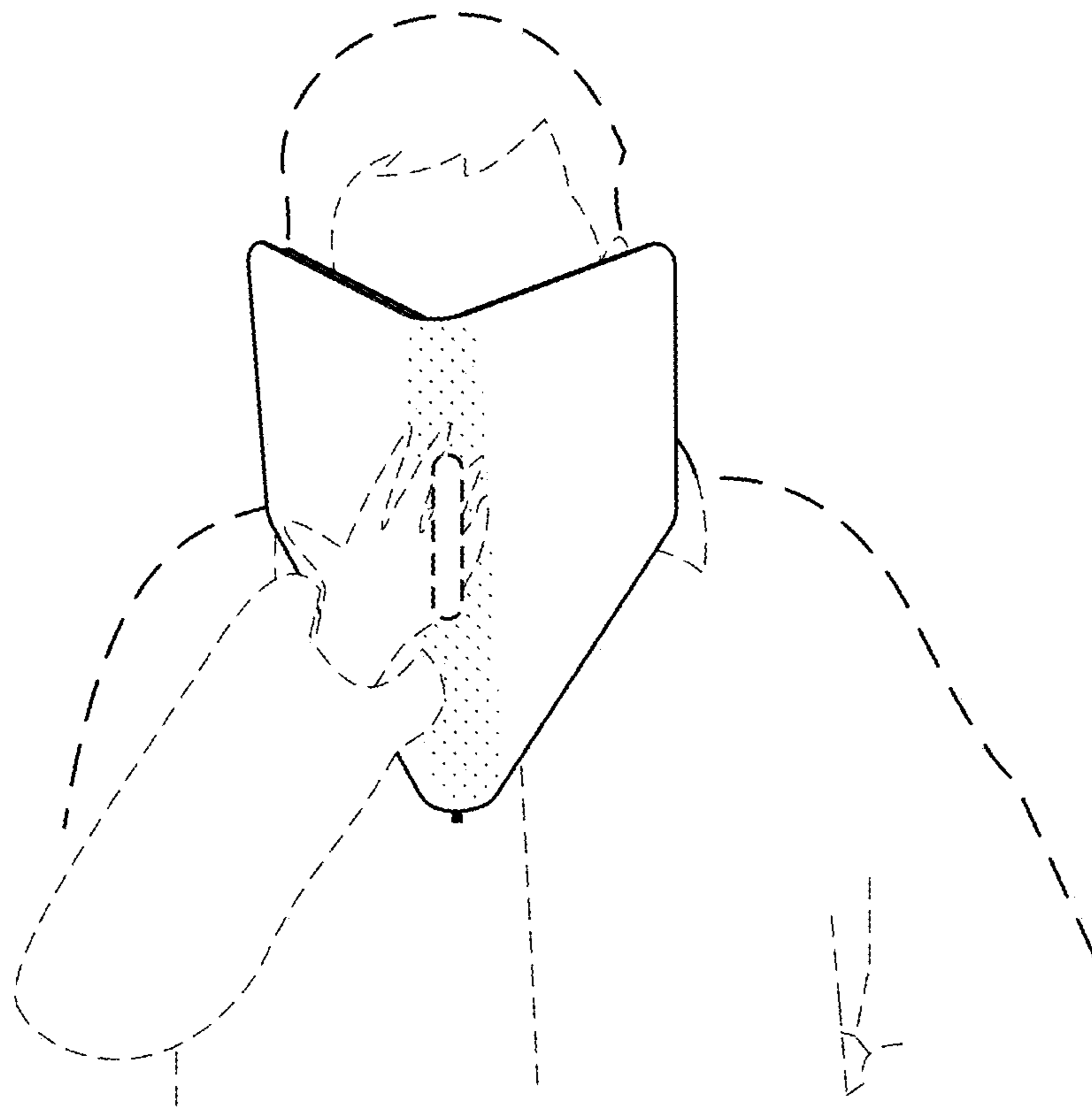


FIG. 3

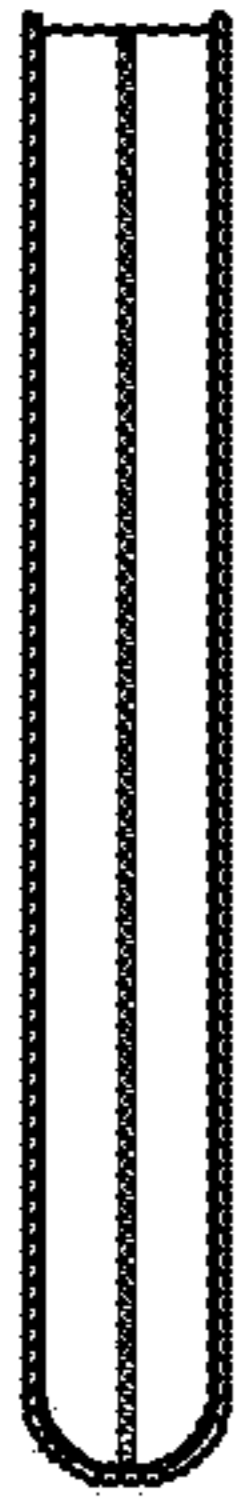


FIG. 4

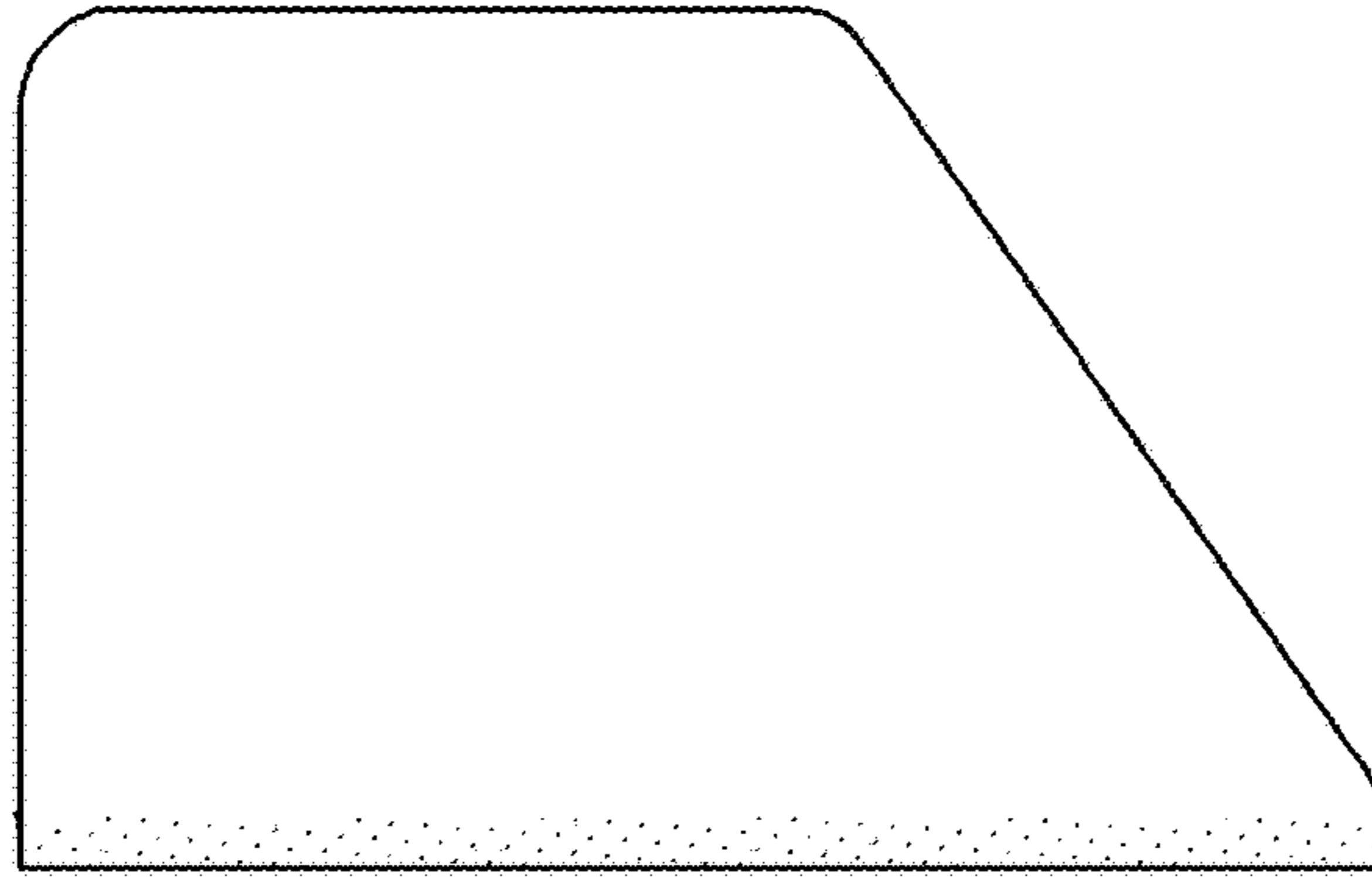


FIG. 5



FIG. 6



FIG. 7