



US00D823823S

(12) **United States Design Patent**
Kim et al.

(10) **Patent No.:** **US D823,823 S**
(45) **Date of Patent:** **** Jul. 24, 2018**

(54) **TELEVISION RECEIVER**

5/0004; H05K 5/0017; H05K 5/02; H05K
5/0217; H04N 13/0459

(71) Applicant: **LG ELECTRONICS INC.**, Seoul
(KR)

See application file for complete search history.

(72) Inventors: **Byungsoo Kim**, Seoul (KR); **Seongahn
Jeon**, Seoul (KR); **Sangho Lee**, Seoul
(KR); **Hyuntae Ahn**, Seoul (KR);
Sanggi Kim, Seoul (KR)

(56) **References Cited**

U.S. PATENT DOCUMENTS

D648,335 S * 11/2011 Shiono D14/374
D661,671 S * 6/2012 Laube D14/126

(Continued)

(73) Assignee: **LG ELECTRONICS INC.**, Seoul
(KR)

Primary Examiner — Mary Ann Calabrese

Assistant Examiner — Jennifer L Rempfer

(**) Term: **15 Years**

(74) *Attorney, Agent, or Firm* — Birch, Stewart, Kolasch
& Birch, LLP

(21) Appl. No.: **35/501,347**

(22) Filed: **Feb. 3, 2016**

(57) **CLAIM**

(80) **Hague Agreement Data**

Int. Filing Date: **Feb. 3, 2016**

Int. Reg. No.: **DM/090825**

Int. Reg. Date: **Feb. 3, 2016**

Int. Reg. Pub. Date: **Aug. 5, 2016**

The ornamental design for a television receiver, as shown
and described.

(30) **Foreign Application Priority Data**

Aug. 5, 2015 (KR) 30-2015-0039652

(51) **LOC (11) Cl.** **14-03**

(52) **U.S. Cl.**
USPC **D14/126**

(58) **Field of Classification Search**

USPC D14/125-134, 159, 239, 341, 342, 346,
D14/347, 336, 371, 374-377, 420, 426,
D14/440, 448, 450, 496, 138 R, 138 AA,
D14/138 G, 147, 203.1-203.7, 247, 388,
D14/389; D6/300-310; D16/241;
D20/10, 15, 17, 19, 39; D21/329, 333,
D21/331, 332; D10/1, 30, 40

CPC .. G06F 1/1613; G06F 3/04883; G06F 1/1647;
G06F 3/04845; G06F 1/1601; G06F
1/1643; A63H 33/3016; H04M 1/0279;
H04M 1/0281; H04M 1/0283; H05K

DESCRIPTION

1. Television receiver

1.1 : Perspective

1.2 : Front

1.3 : Back

1.4 : Left

1.5 : Right

1.6 : Top

1.7 : Bottom

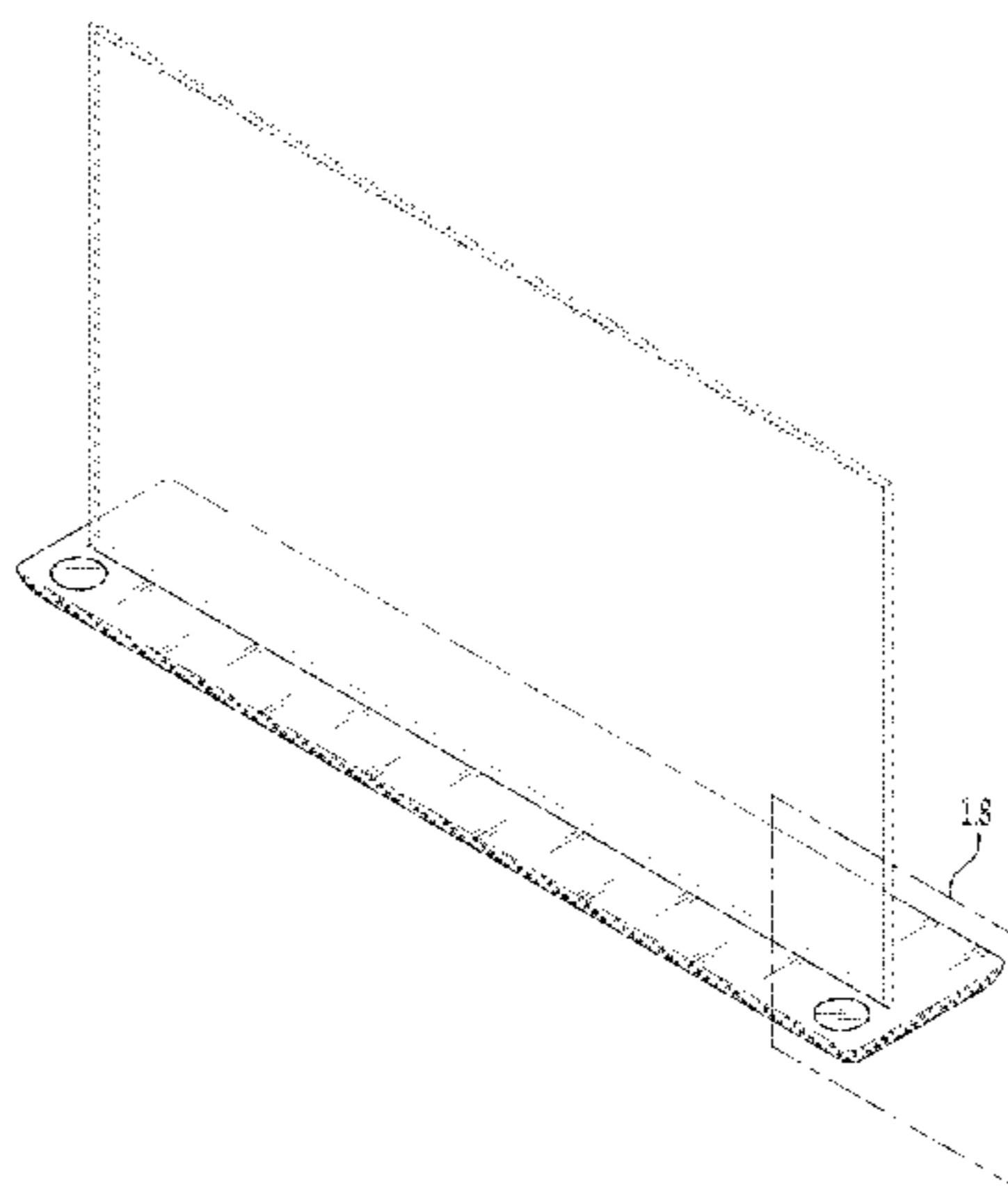
1.8 : Enlarged

1.9 : Reference view

The evenly-spaced broken lines shown in 1.1-1.6, 1.8 and
1.9 of the television receiver depict unclaimed portions of
the television receiver and form no part of the claimed
design.

The evenly-spaced broken lines shown in 1.9 behind and
around the television receiver are included for the purpose of
illustrating environment and form no part of the claimed
design.

(Continued)



The dash-dot broken line portions of 1.1 and 1.8 are included to show partially enlarged views only and form no part of the claimed design.

1 Claim, 6 Drawing Sheets

(56)

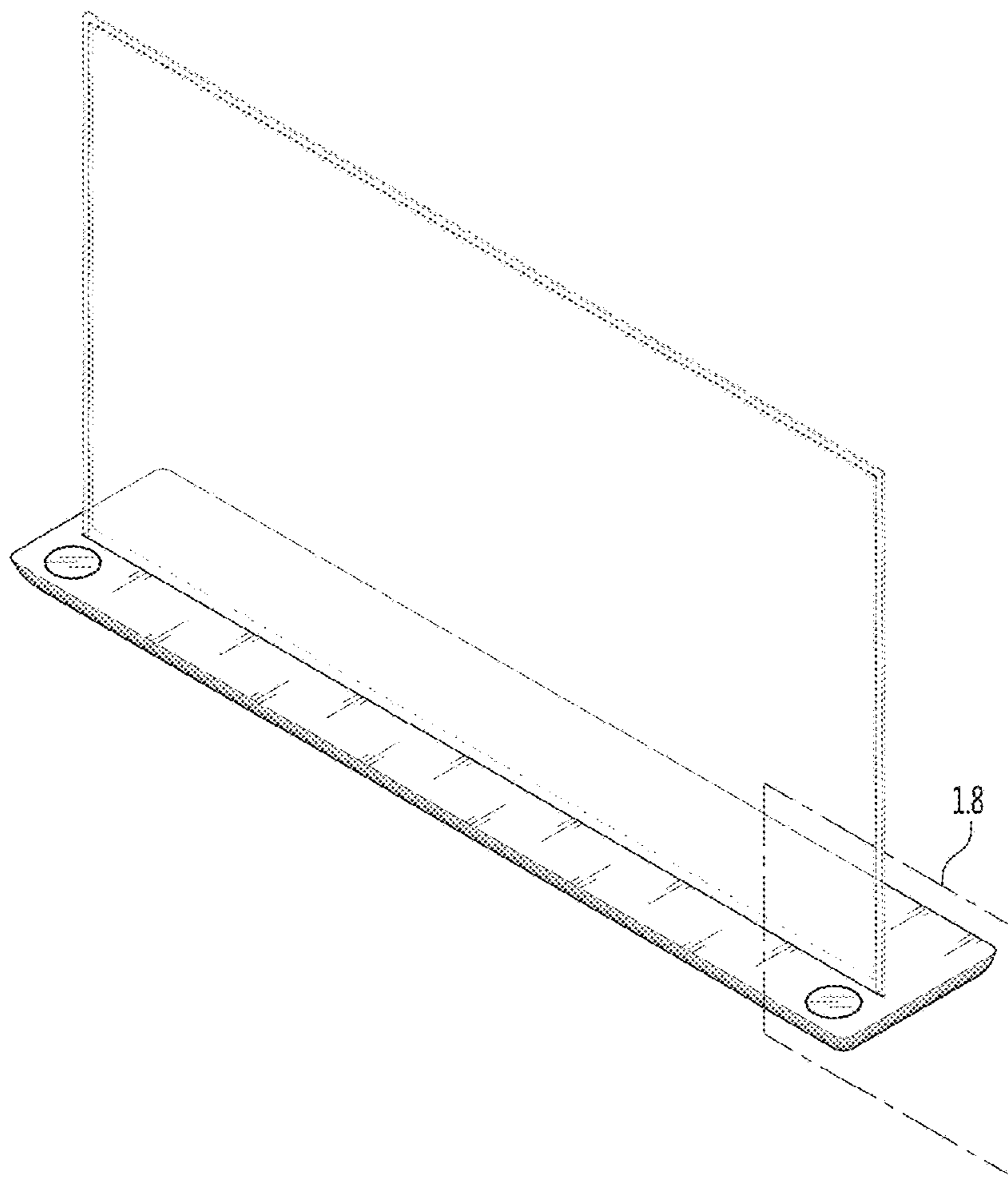
References Cited

U.S. PATENT DOCUMENTS

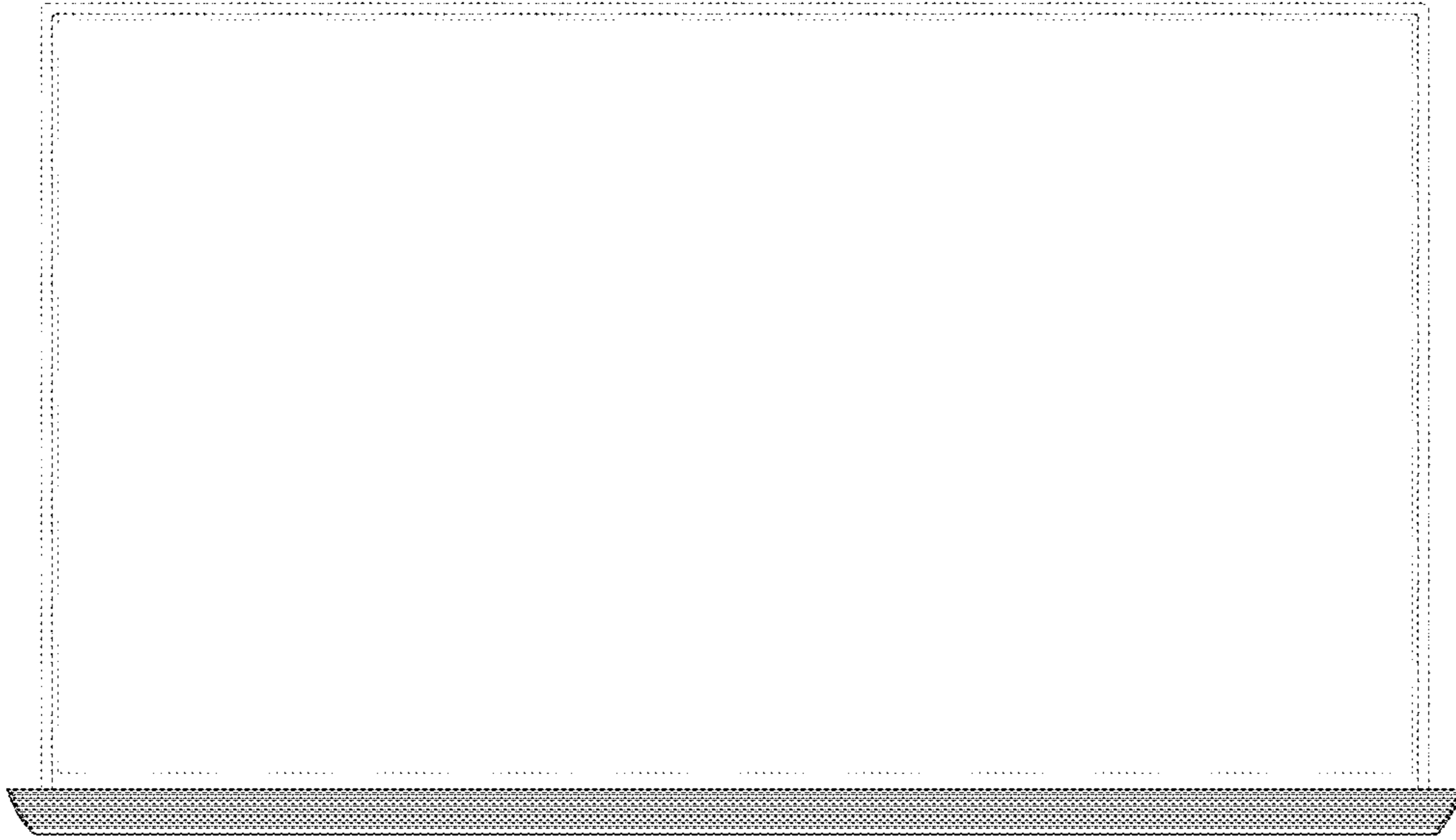
| | | | | | |
|------------|---|---------|---------|-------|---------|
| D670,670 S | * | 11/2012 | Kim | | D14/126 |
| D677,637 S | * | 3/2013 | Kubota | | D14/126 |
| D680,088 S | * | 4/2013 | Park | | D14/126 |
| D701,184 S | * | 3/2014 | Son | | D14/125 |
| D709,843 S | * | 7/2014 | Inoue | | D14/126 |
| D712,898 S | * | 9/2014 | Sohn | | D14/336 |
| D715,756 S | * | 10/2014 | Lim | | D14/126 |
| D717,753 S | * | 11/2014 | Totsuka | | D14/126 |
| D717,756 S | * | 11/2014 | Park | | D14/126 |
| D723,484 S | * | 3/2015 | Hwangbo | | D14/126 |
| D726,665 S | * | 4/2015 | Park | | D14/125 |
| D732,489 S | * | 6/2015 | Kumano | | D14/126 |
| D738,336 S | * | 9/2015 | Hwangbo | | D14/126 |
| D741,828 S | * | 10/2015 | Shin | | D14/126 |
| D742,375 S | * | 11/2015 | Kang | | D14/126 |
| D743,922 S | * | 11/2015 | Li | | D14/126 |
| D744,441 S | * | 12/2015 | Shin | | D14/126 |
| D746,243 S | * | 12/2015 | Gao | | D14/126 |
| D752,002 S | * | 3/2016 | Kim | | D14/126 |
| D755,139 S | * | 5/2016 | Kim | | D14/126 |
| D755,144 S | * | 5/2016 | Kim | | D14/126 |
| D755,746 S | * | 5/2016 | Kim | | D14/126 |
| D773,422 S | * | 12/2016 | Han | | D14/126 |
| D774,484 S | * | 12/2016 | Han | | D14/126 |
| D776,072 S | * | 1/2017 | Kim | | D14/126 |

* cited by examiner

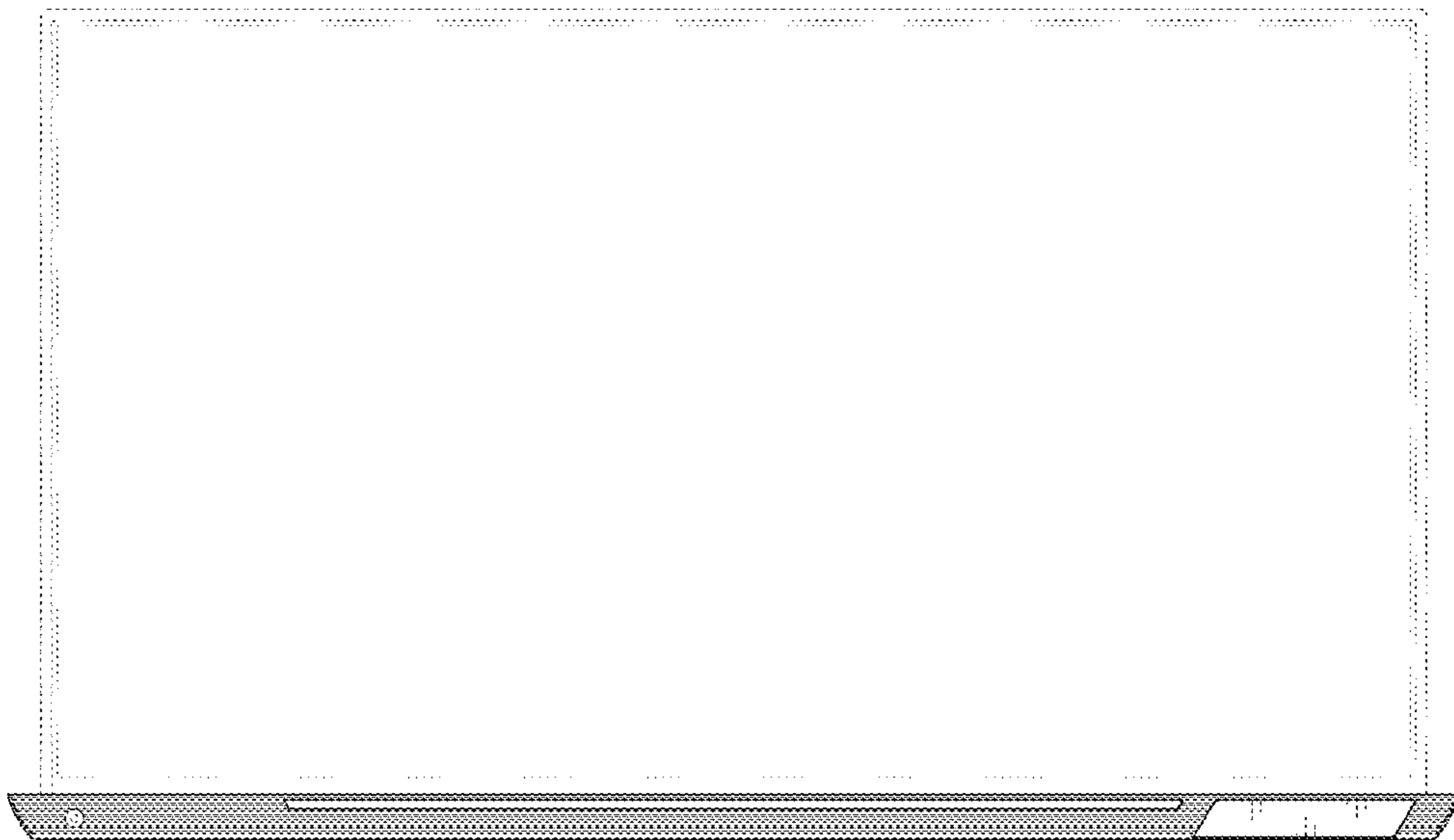
1.1



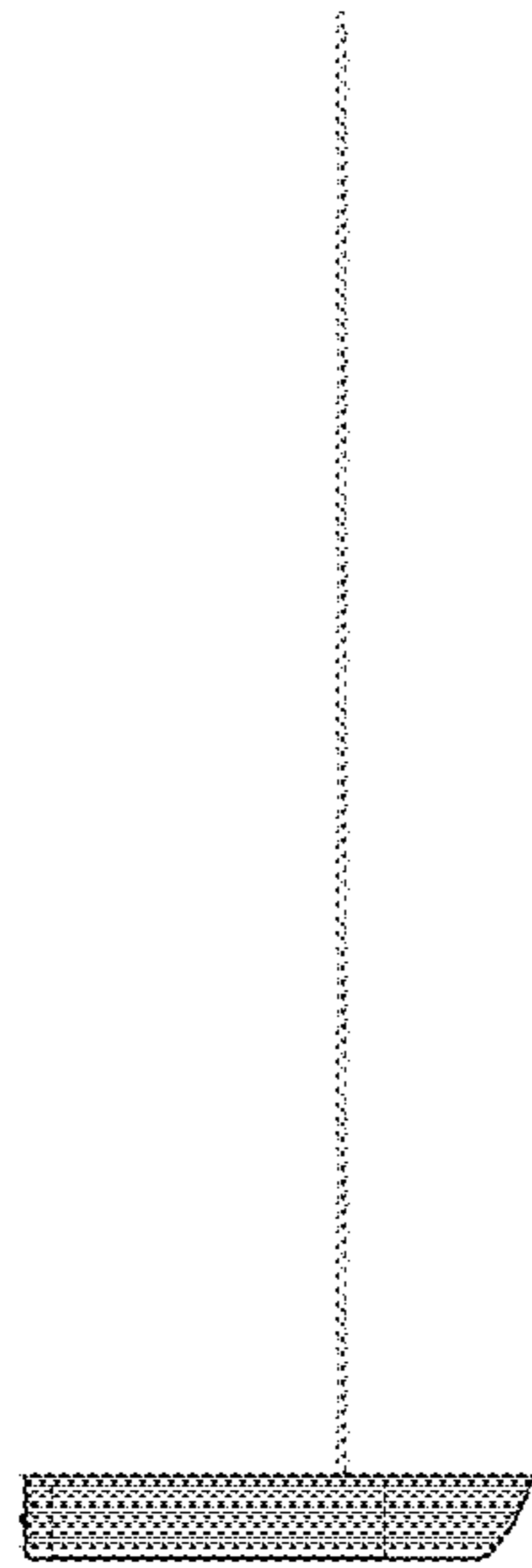
1.2



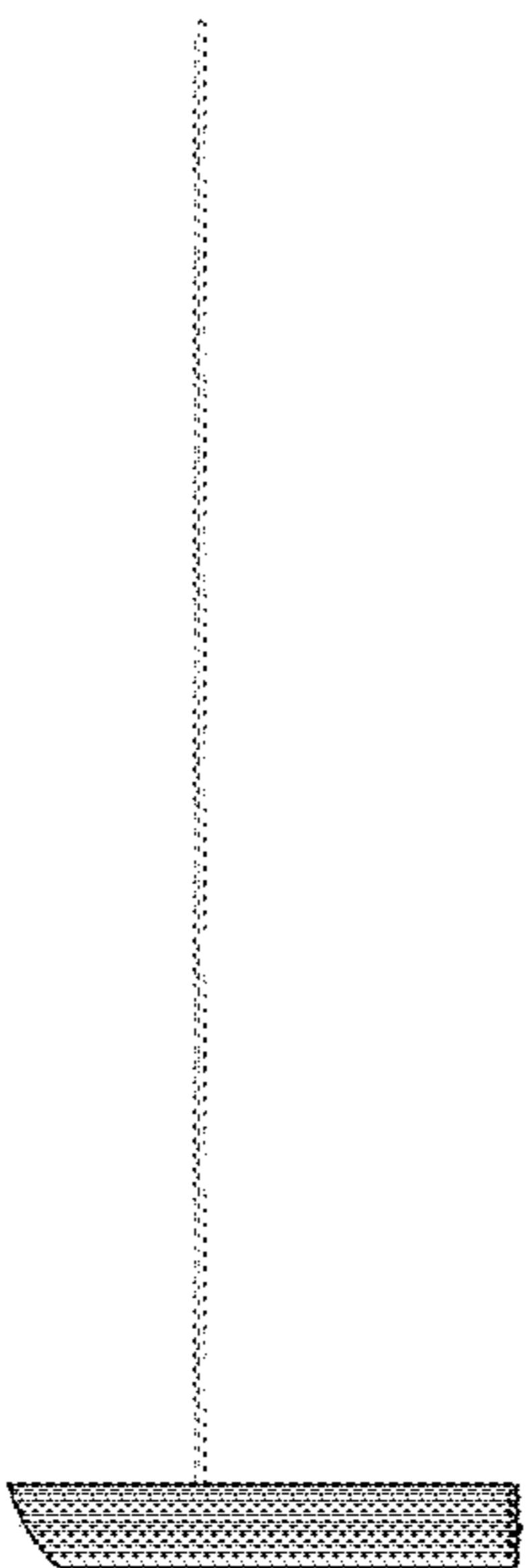
1.3



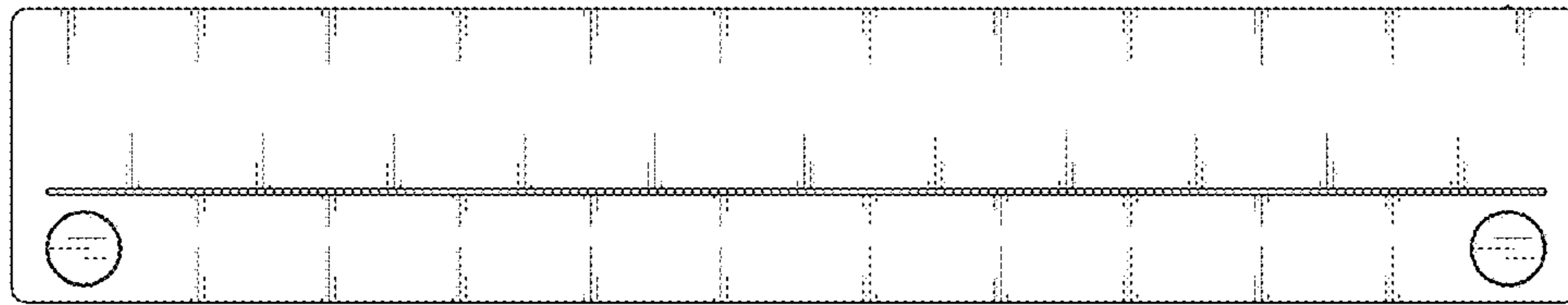
1.4



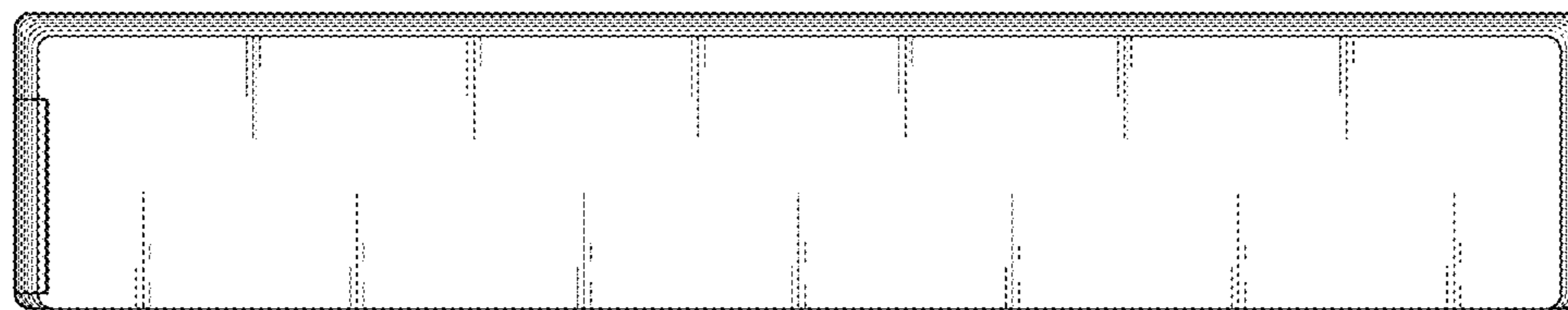
1.5



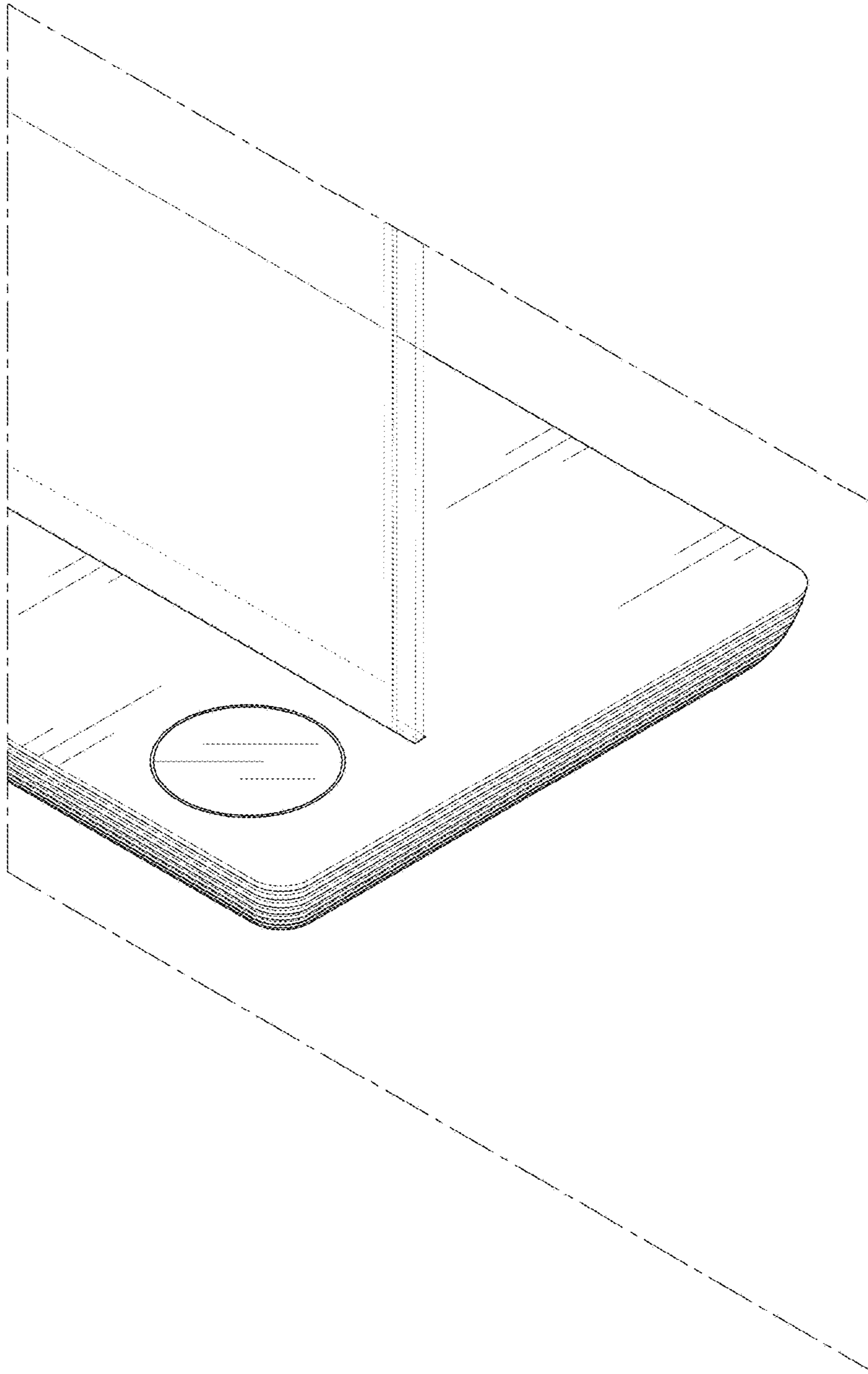
1.6



1.7



1.8



1.9

