



US00D823819S

(12) **United States Design Patent**  
**Clegg et al.**

(10) **Patent No.:** **US D823,819 S**  
(45) **Date of Patent:** **\*\* Jul. 24, 2018**

- (54) **VIDEO SHELF EDGE**
- (71) Applicant: **Americhip, Inc.**, Gardena, CA (US)
- (72) Inventors: **Timothy P Clegg**, Chagrin Falls, OH (US); **Kai Bong Yu**, Gardena, CA (US)
- (73) Assignee: **Americhip Inc.**, Gardena, CA (US)
- (\*\*) Term: **15 Years**
- (21) Appl. No.: **29/609,529**
- (22) Filed: **Jun. 30, 2017**

**Related U.S. Application Data**

- (62) Division of application No. 29/521,104, filed on Mar. 19, 2015, now Pat. No. Des. 791,093.
- (51) **LOC (11) Cl.** ..... **14-03**
- (52) **U.S. Cl.**  
USPC ..... **D14/125**
- (58) **Field of Classification Search**  
USPC ..... D16/200, 202-206, 218, 219, 242;  
D10/106.2, 106.3, 106.5, 118.1; 348/143,  
348/148, 151, 373-376; 396/419, 427,  
396/535, 539-541; D14/125-134, 152  
CPC ..... G03B 17/02; G03B 19/04; G03B 17/56;  
G03B 17/04; G03B 15/03; H04N 5/2251;  
H04N 5/2252; H04N 5/2253; H04N  
5/2254; H04N 7/181; H04N 7/183; H04N  
7/18; G08B 13/1963; G08B 13/19619;  
G08B 13/19632  
See application file for complete search history.

(56) **References Cited**

**U.S. PATENT DOCUMENTS**

- D505,402 S \* 5/2005 Wong ..... D14/125
- D516,578 S \* 3/2006 Matsuoka ..... D14/160

- D570,874 S \* 6/2008 Niizawa ..... D14/496
- D570,875 S \* 6/2008 Sheba ..... D14/496
- D571,823 S \* 6/2008 Ledbetter ..... D14/496
- D572,266 S \* 7/2008 Anderson ..... D14/496
- D578,138 S \* 10/2008 Sheba ..... D14/496
- D578,140 S \* 10/2008 Sheba ..... D14/496
- D581,429 S \* 11/2008 Gilmore ..... D14/496
- D584,743 S \* 1/2009 Sheba ..... D14/496
- D716,796 S \* 11/2014 Clegg ..... D14/341

\* cited by examiner

*Primary Examiner* — Randall H Gholson

(74) *Attorney, Agent, or Firm* — Francis D Logan, Jr.

(57) **CLAIM**

The ornamental design for a video shelf edge, as shown and described.

**DESCRIPTION**

FIG. 1 is a perspective view of the front, top and right side of the present invention showing our new design.

FIG. 2 is a front elevational view of the present invention.

FIG. 3 is a rear elevational view of the present invention.

FIG. 4 is a top plan view of the present invention.

FIG. 5 is a bottom plan view of the present invention.

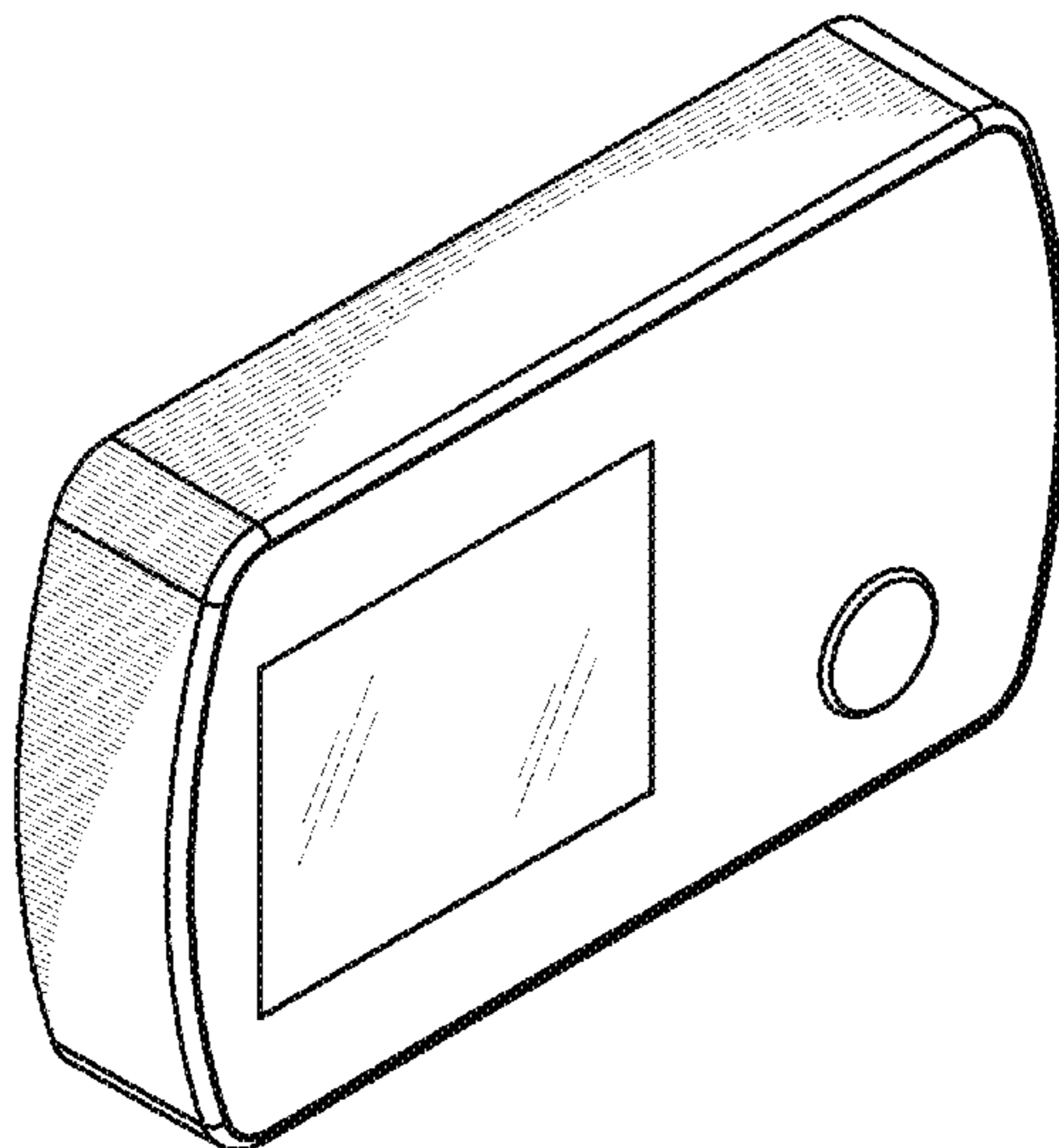
FIG. 6 is a right side elevational view of the present invention; and,

FIG. 7 is a left side elevational view of the present invention.

The shading shown in the drawings are for illustrative purposes only and form no part of the claimed design.

Any broken line illustration of the environmental structure in the drawings is not part of the design sought to be patented.

**1 Claim, 3 Drawing Sheets**



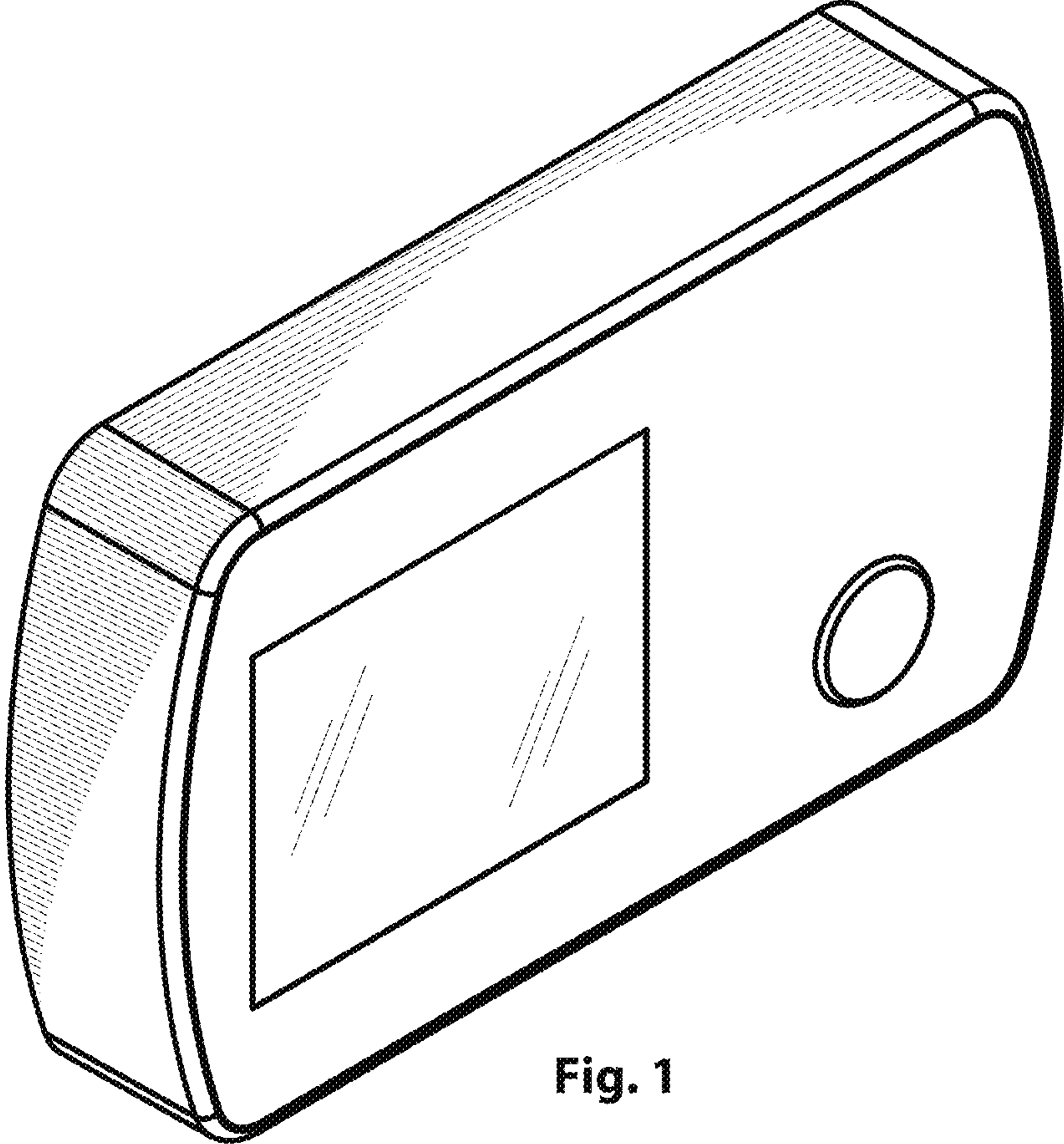


Fig. 1

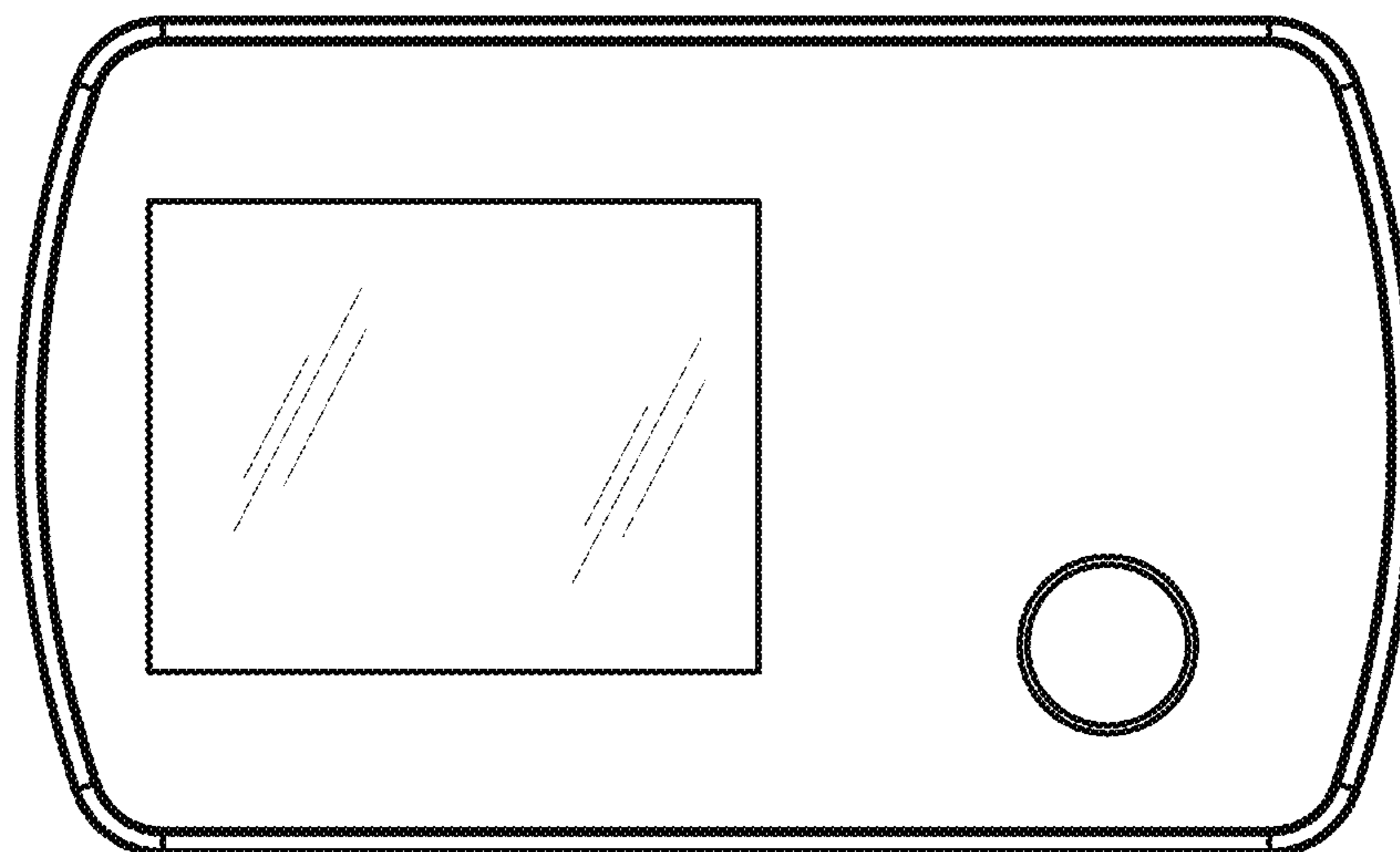


Fig. 2

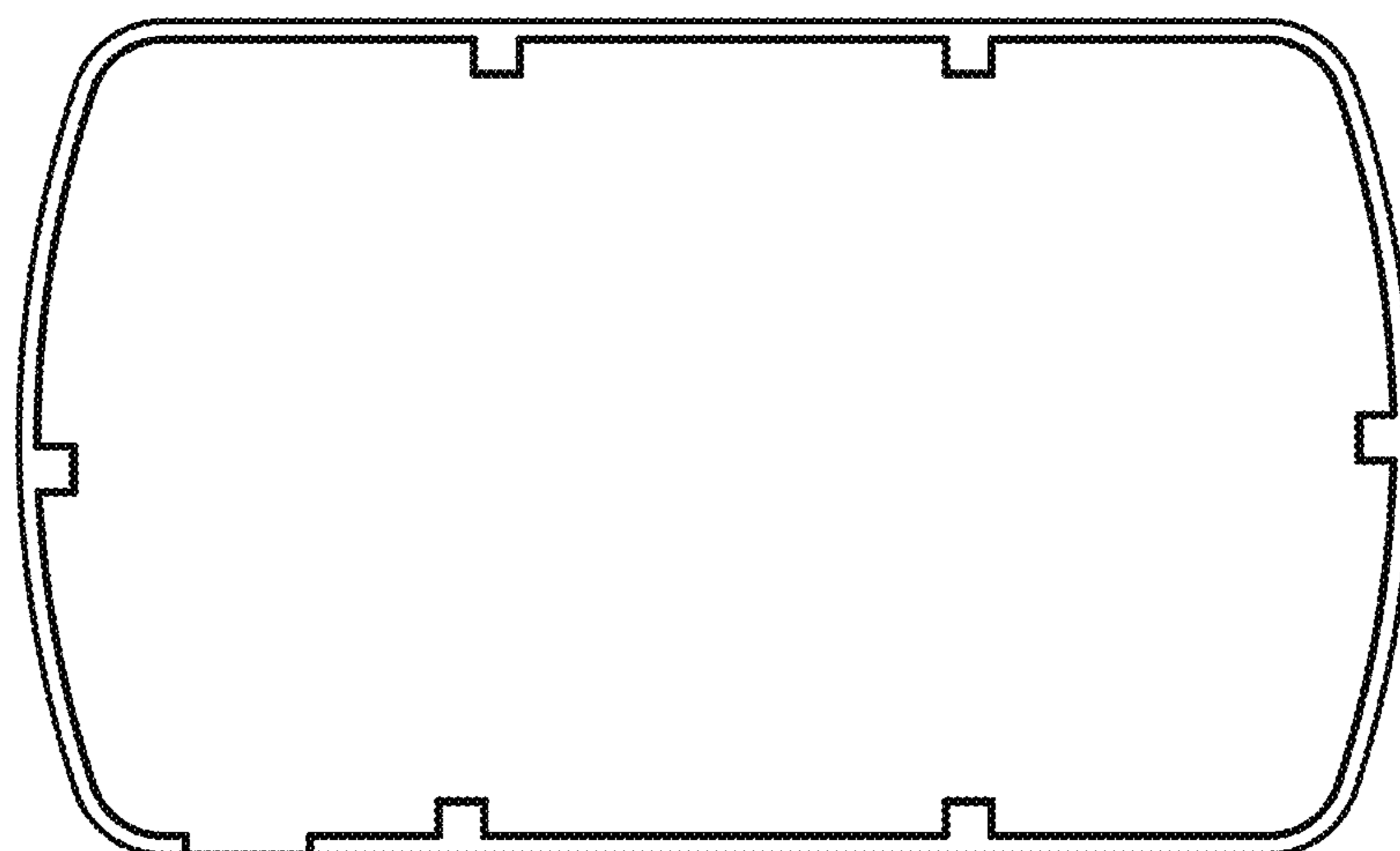


Fig. 3

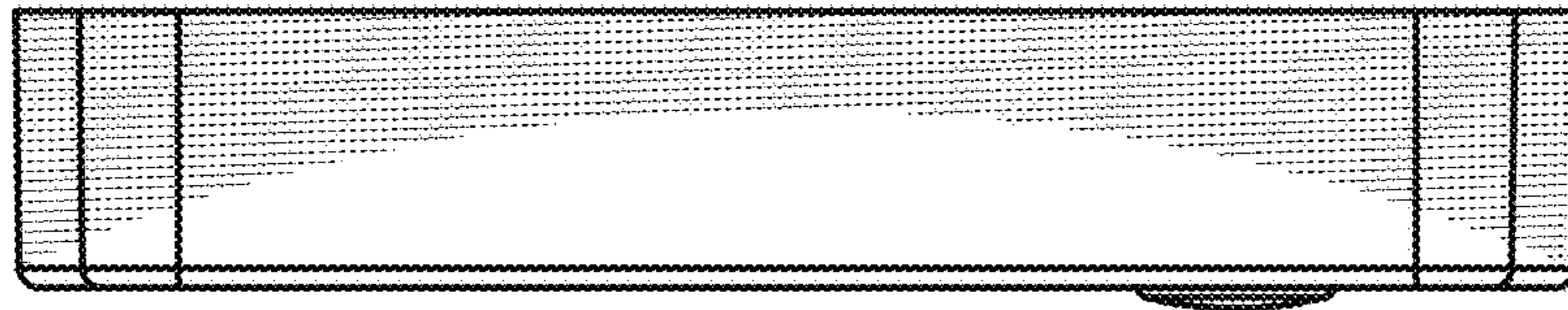


Fig. 4

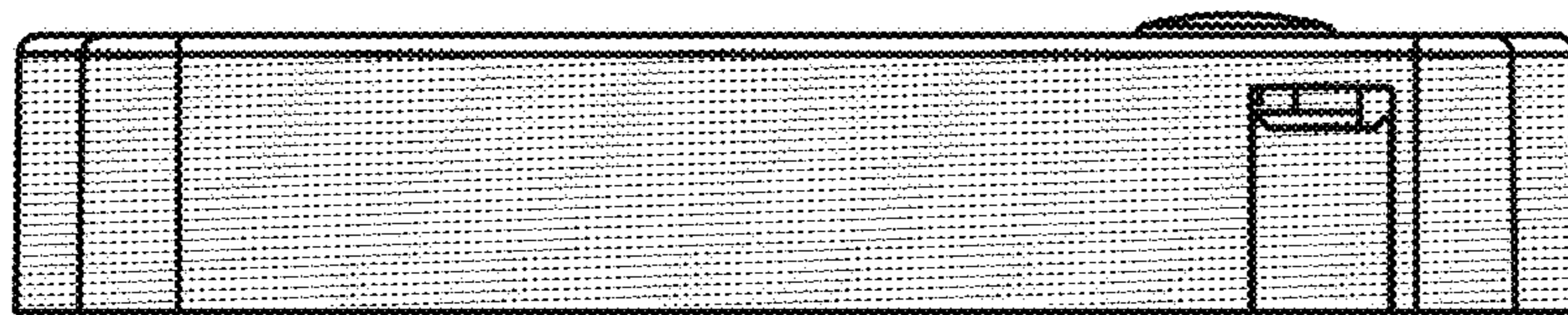


Fig. 5

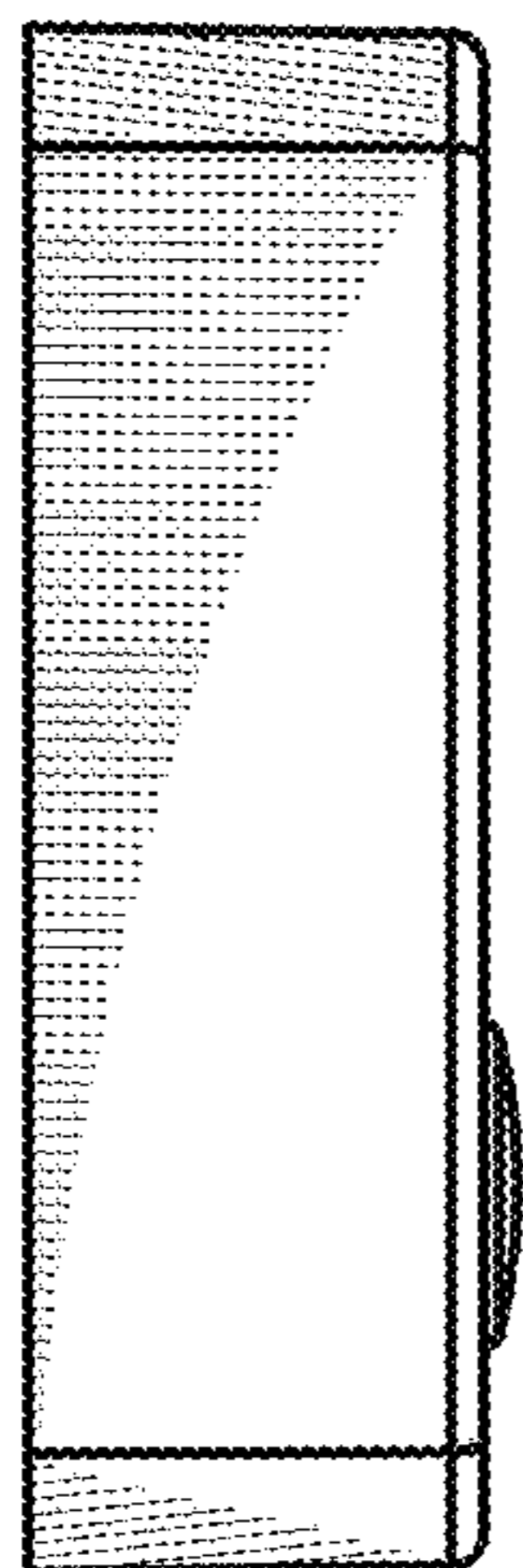


Fig. 6

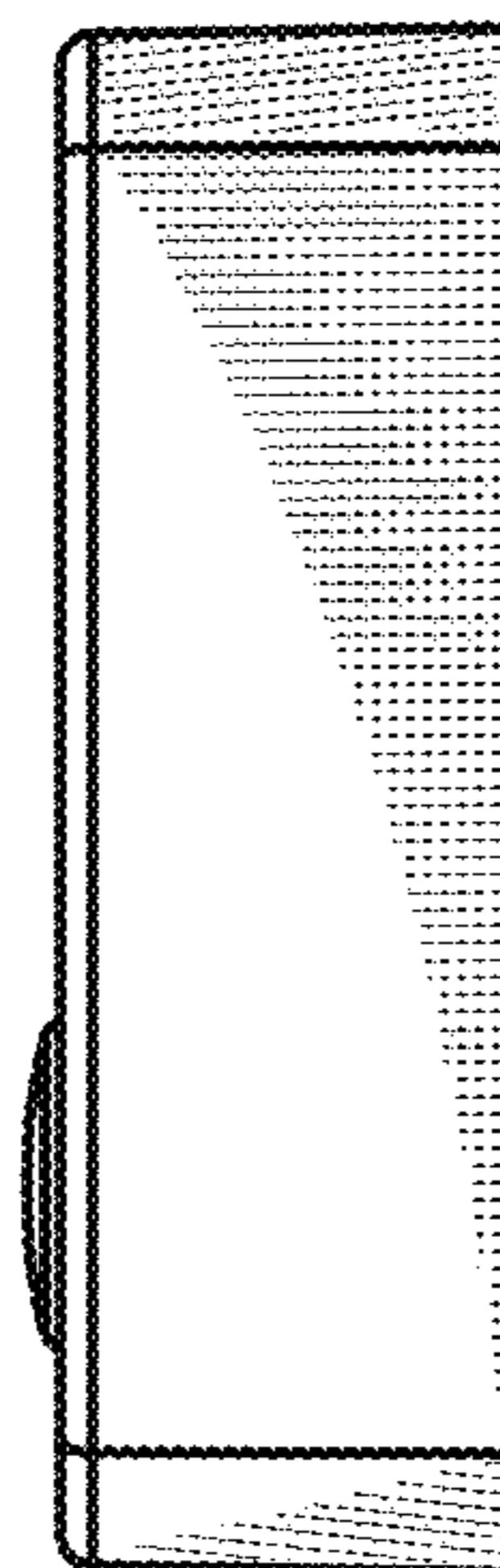


Fig. 7