



US00D823817S

(12) **United States Design Patent** (10) **Patent No.:** **US D823,817 S**
Tio (45) **Date of Patent:** **** Jul. 24, 2018**

(54) **CONTROL MODULE COOLING FAN**
(71) Applicant: **Rockwell Automation Technologies, Inc.**, Mayfield Heights, OH (US)
(72) Inventor: **Donald Yuen Leong Tio**, Singapore (SG)
(73) Assignee: **Rockwell Automation Technologies, Inc.**, Mayfield Heights, OH (US)

(**) Term: **15 Years**
(21) Appl. No.: **29/593,970**
(22) Filed: **Feb. 14, 2017**

Related U.S. Application Data

(62) Division of application No. 29/519,538, filed on Mar. 5, 2015.
(51) **LOC (11) Cl.** **13-03**
(52) **U.S. Cl.**
USPC **D13/179**
(58) **Field of Classification Search**
USPC D13/110, 123, 162, 162.1, 179
CPC .. H02K 9/02; H02K 9/04; H02K 5/00; H02K 5/02; H02K 11/0073; H02P 27/04; H02P 29/0044; H02P 29/045; H05K 7/1432
See application file for complete search history.

(56) **References Cited**

U.S. PATENT DOCUMENTS

D631,436 S 1/2011 Huang
8,072,174 B2 12/2011 Campbell et al.
D653,616 S 2/2012 Choi
D654,024 S 2/2012 Choi

D720,690 S 1/2015 Tio et al.
D723,463 S 3/2015 Tio et al.
D781,253 S * 3/2017 Tio D13/179
2013/0169079 A1 7/2013 Andrikowich et al.
2014/0084837 A1 3/2014 Tio et al.
2014/0103756 A1 4/2014 Grillenberger et al.
2014/0154098 A1 6/2014 Cardo
2015/0091393 A1 4/2015 Hayner et al.
2016/0043611 A1 2/2016 Ikeda et al.

* cited by examiner

Primary Examiner — Selina Sikder

(74) *Attorney, Agent, or Firm* — Fletcher Yoder, P.C.

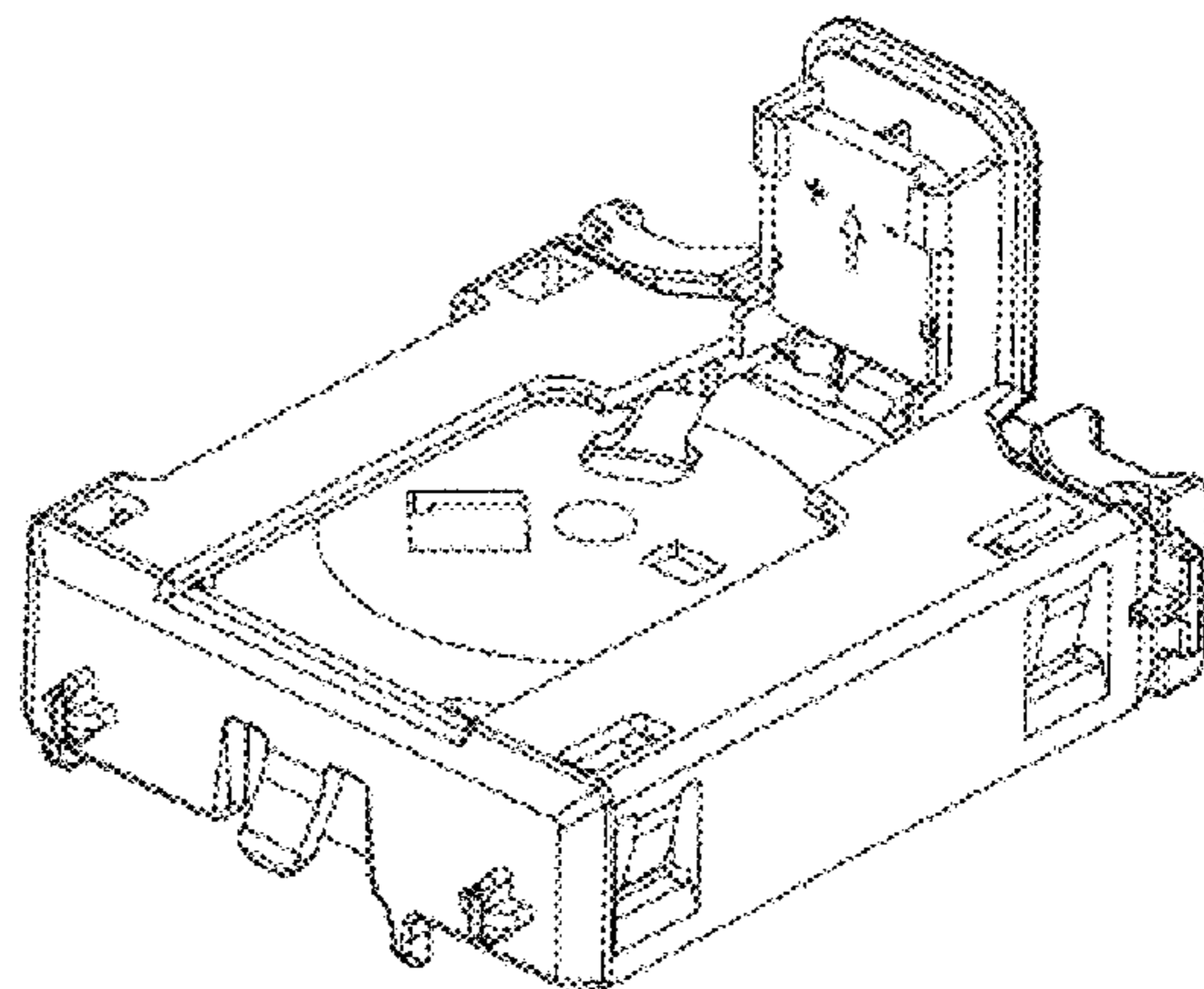
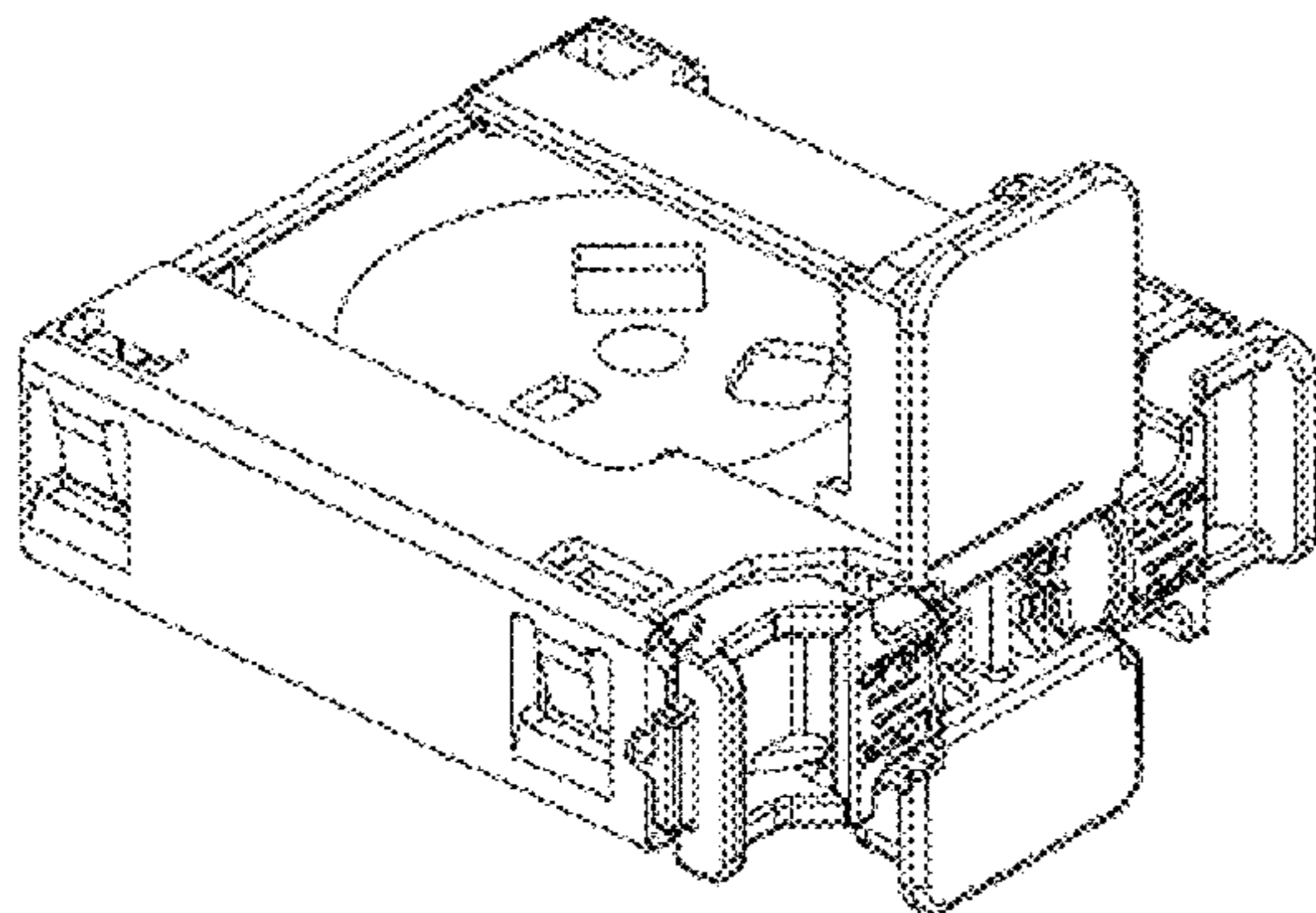
(57) **CLAIM**

The ornamental design for a control module cooling fan, as shown and described in the figures.

DESCRIPTION

FIG. 1 is a front top perspective view of a cooling fan showing my new design;
FIG. 2 is a rear top perspective view of the cooling fan of FIG. 1;
FIG. 3 is a front bottom perspective view of the cooling fan of FIG. 1;
FIG. 4 is a front elevational view of the cooling fan of FIG. 1;
FIG. 5 is a rear elevational view of the cooling fan of FIG. 1;
FIG. 6 is a left elevational view of the cooling fan of FIG. 1;
FIG. 7 is a right elevational view of the cooling fan of FIG. 1;
FIG. 8 is a top plan view of the cooling fan of FIG. 1; and, FIG. 9 is a bottom plan view of the cooling fan of FIG. 1.

1 Claim, 5 Drawing Sheets



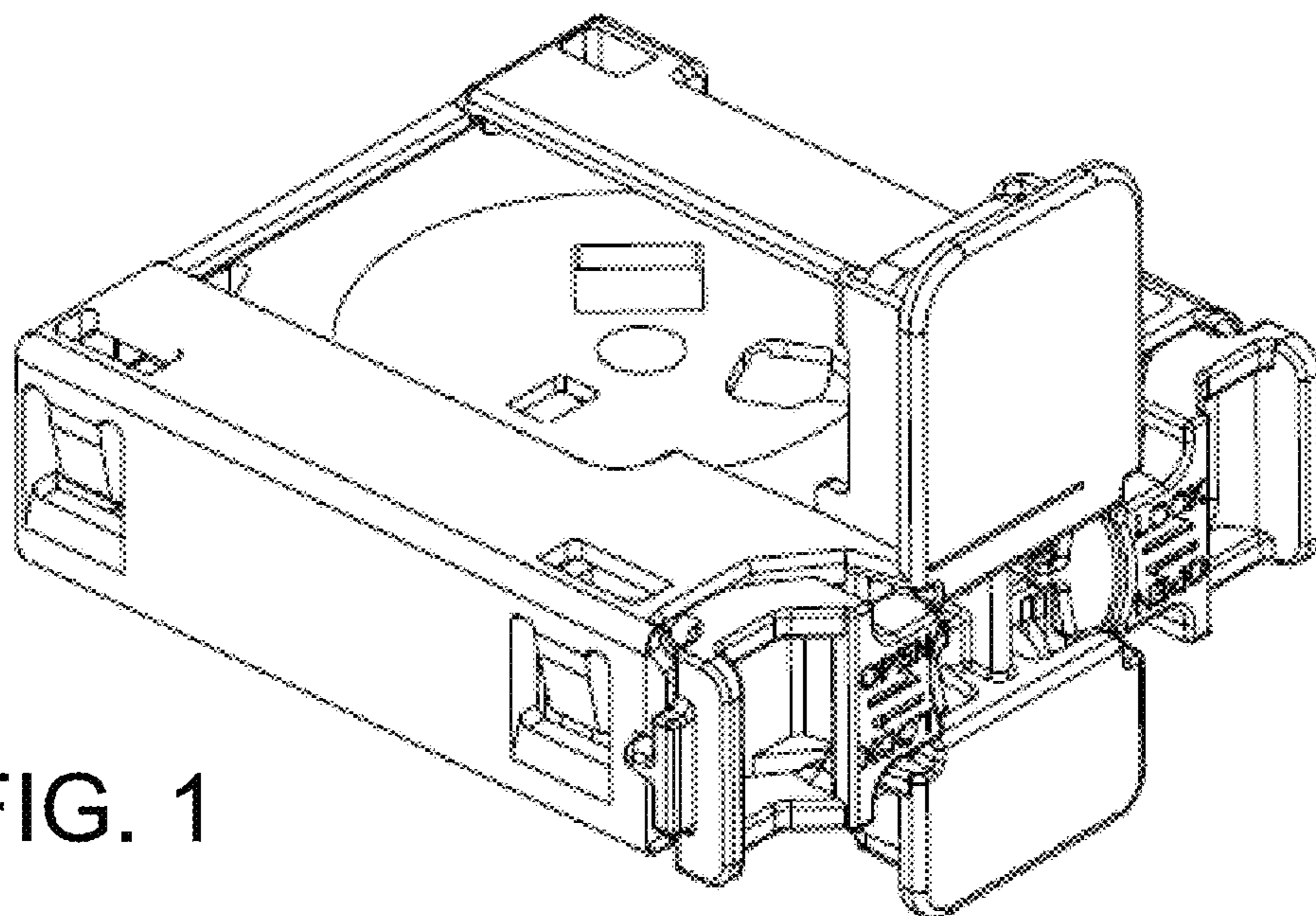


FIG. 1

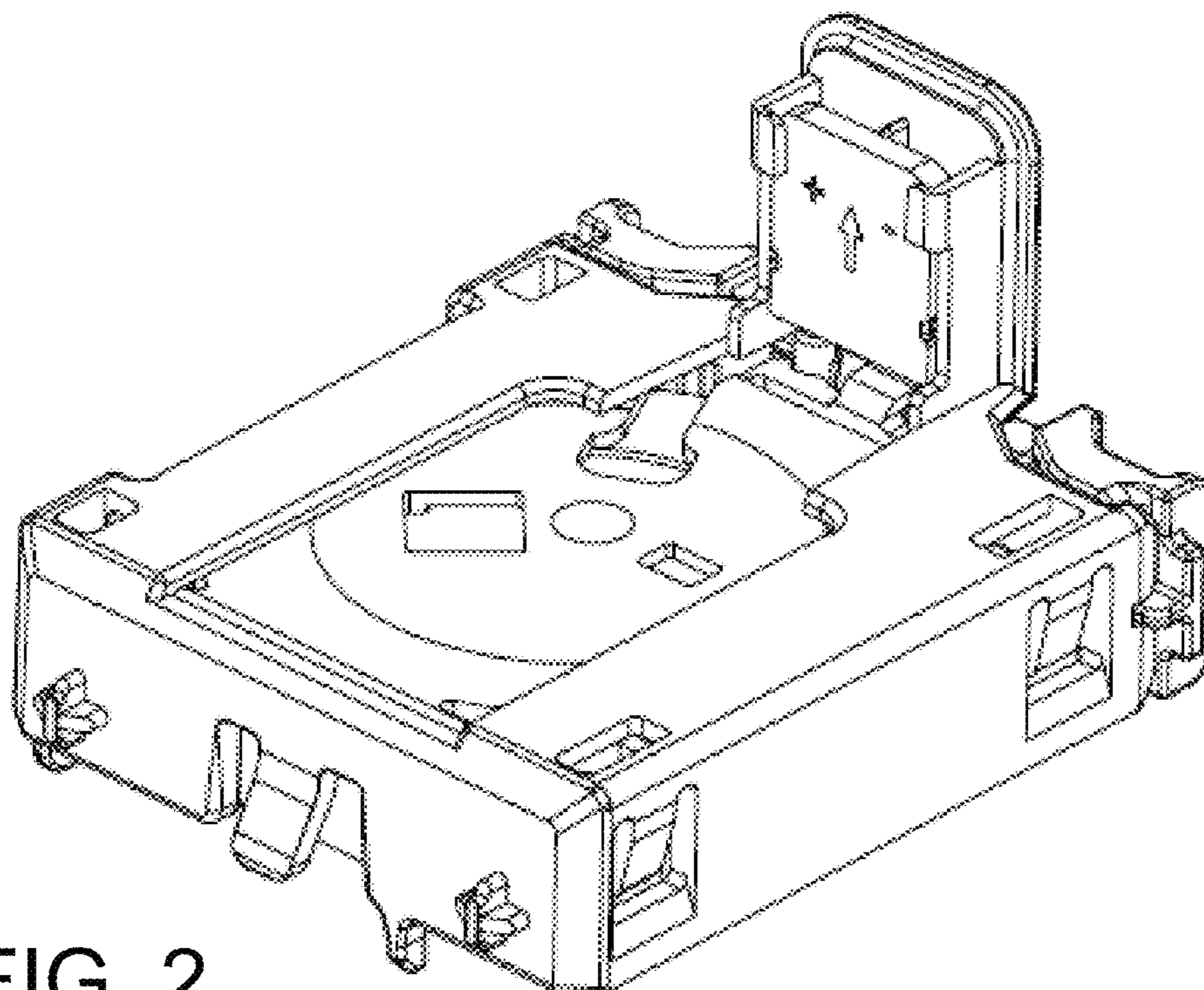


FIG. 2

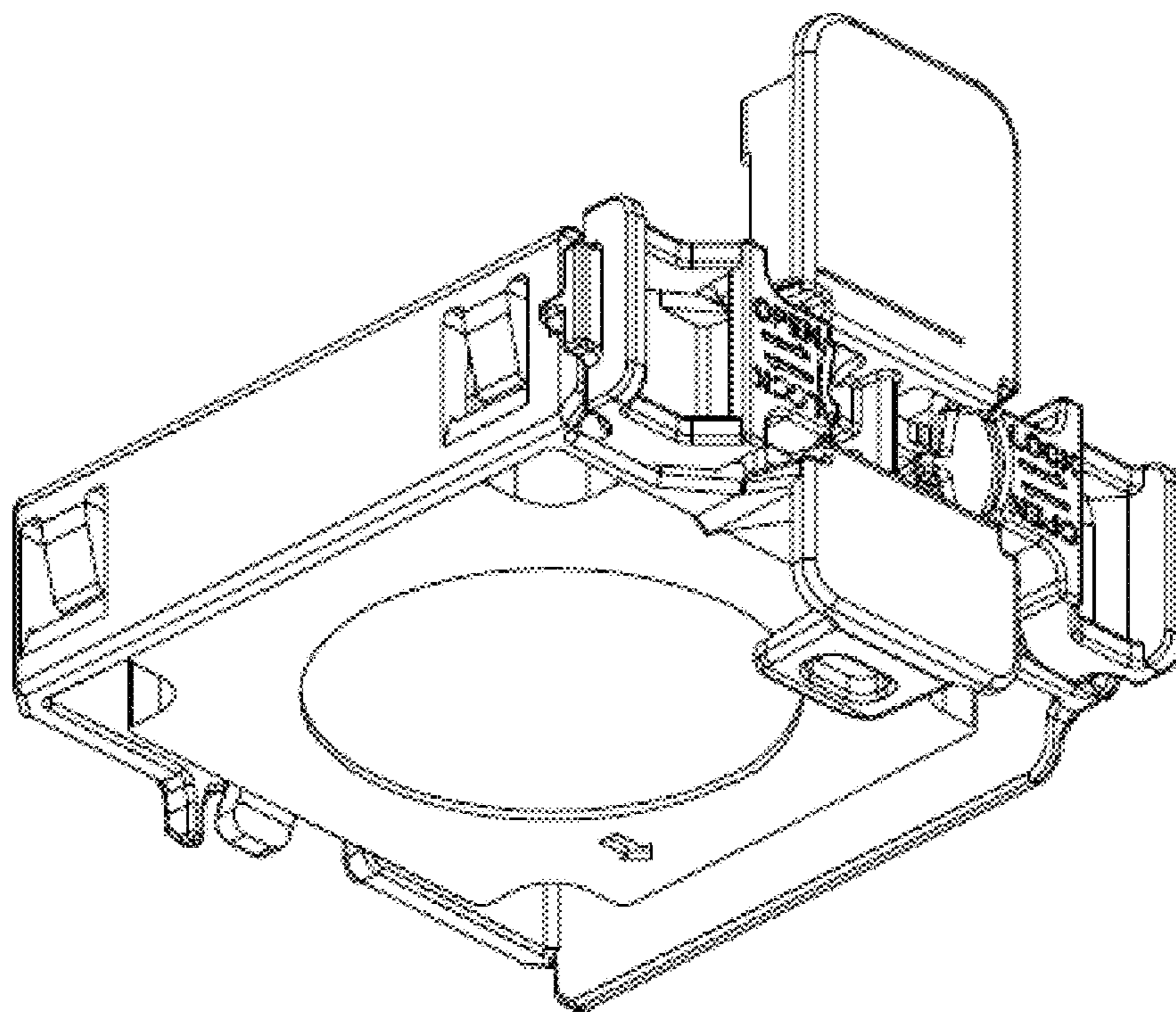


FIG. 3

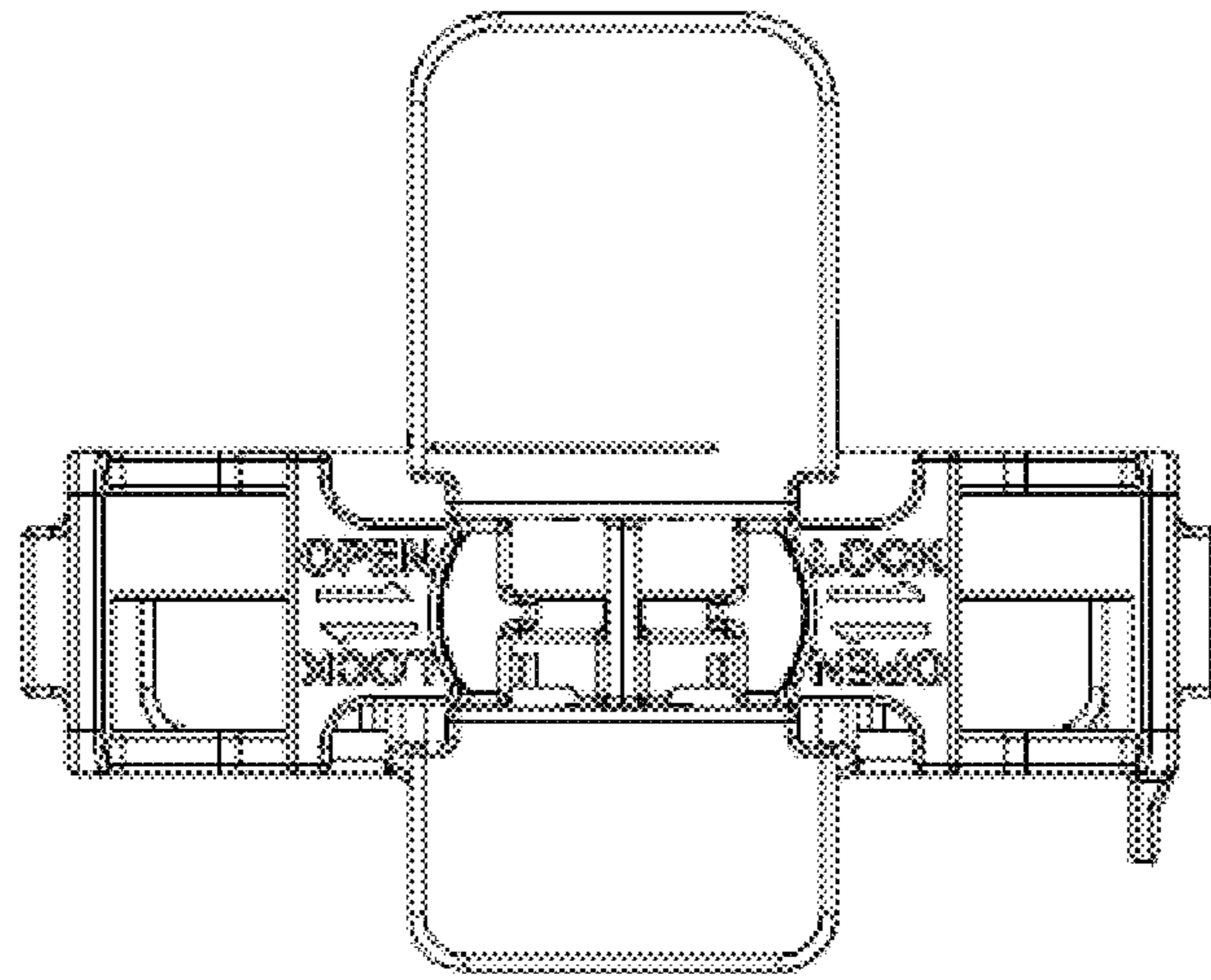


FIG. 4

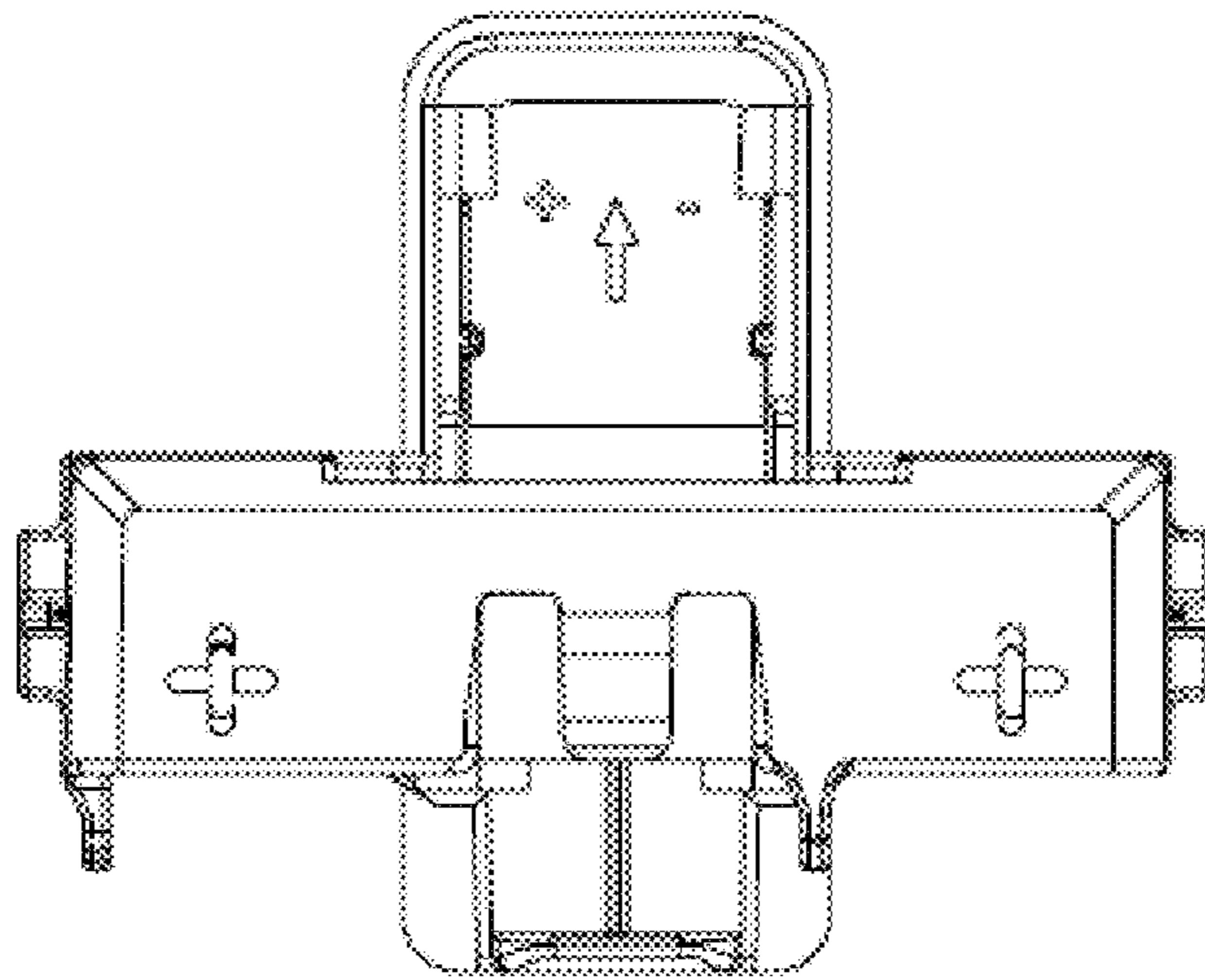


FIG. 5

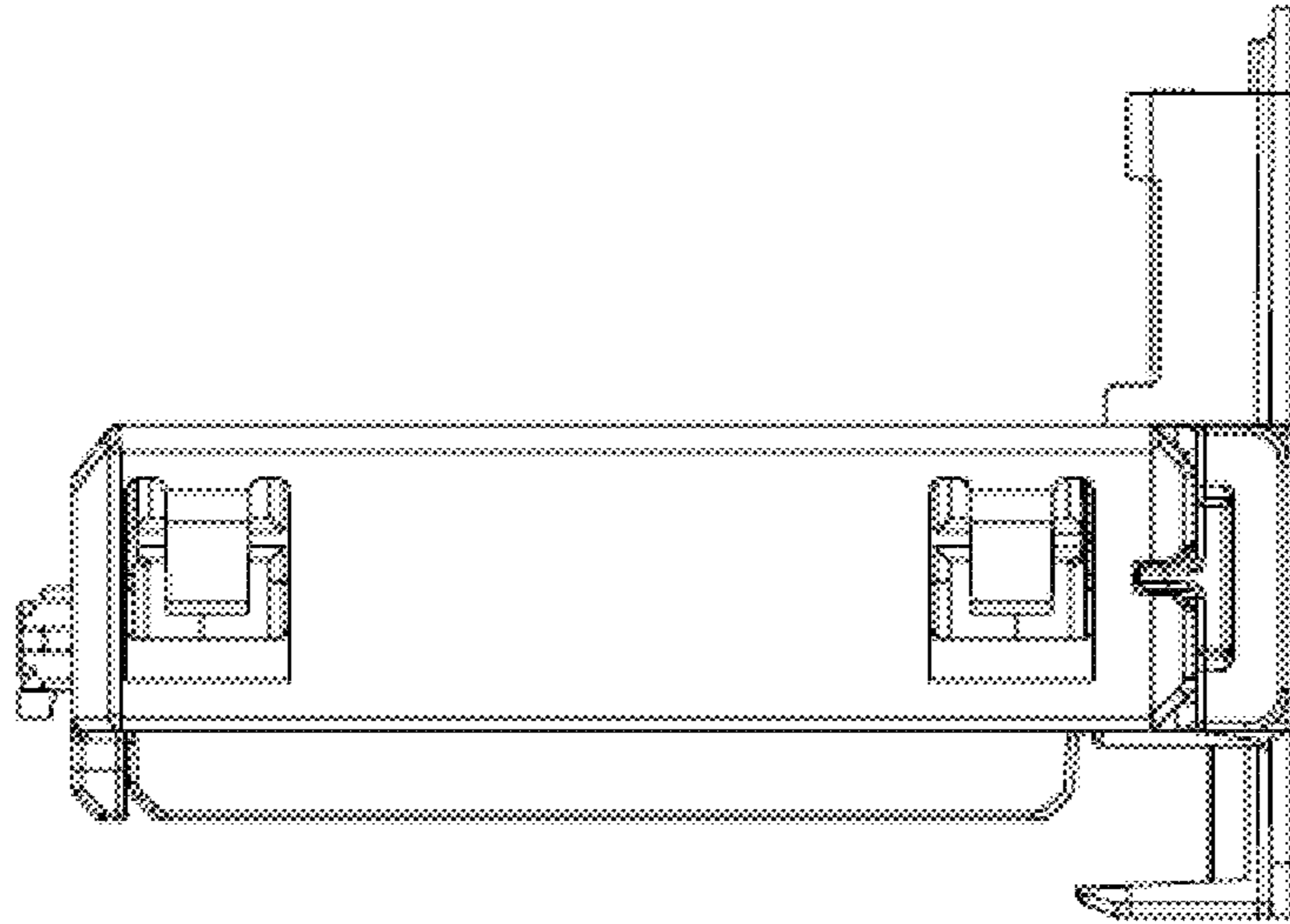


FIG. 6

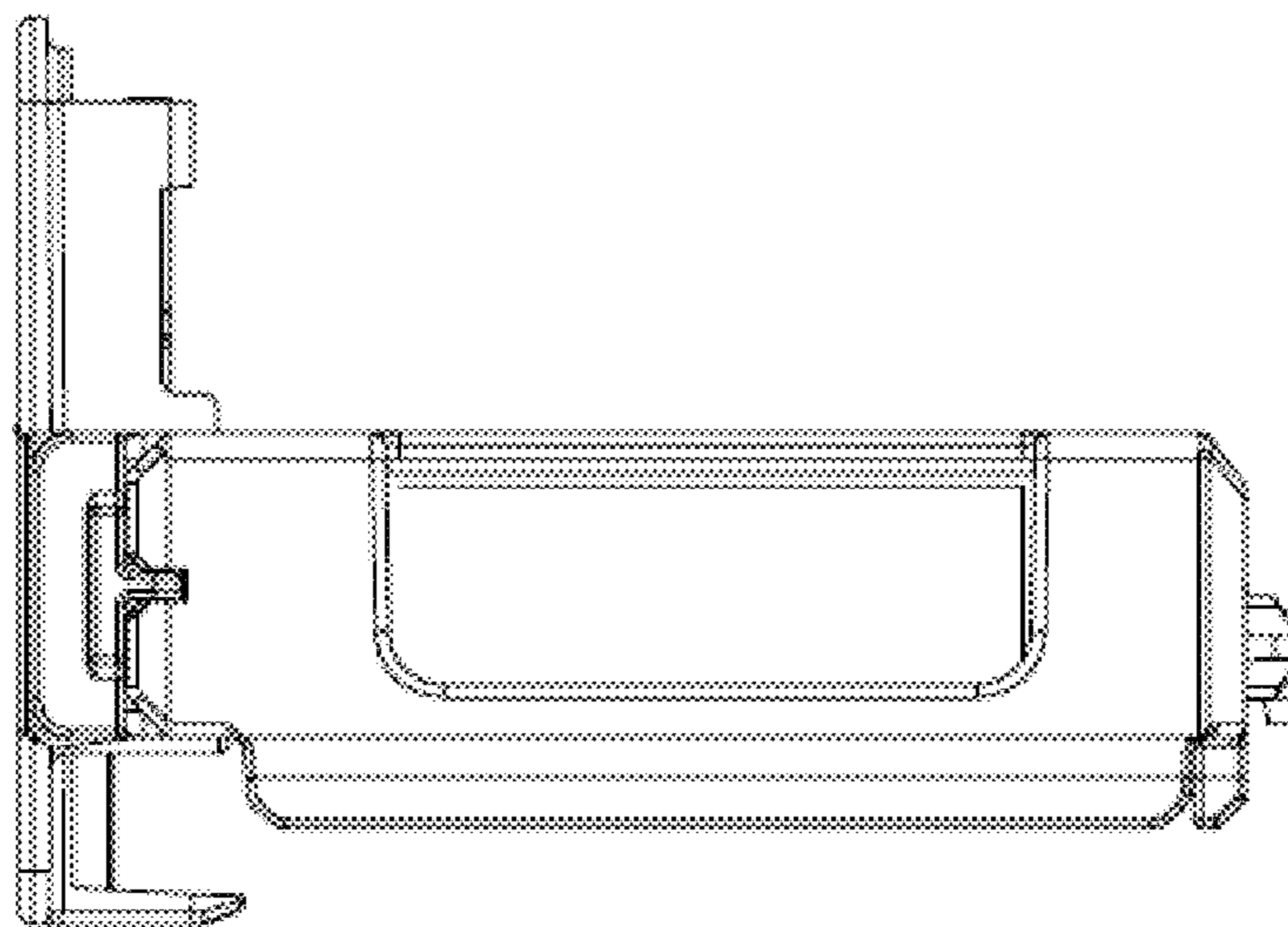


FIG. 7

FIG. 8

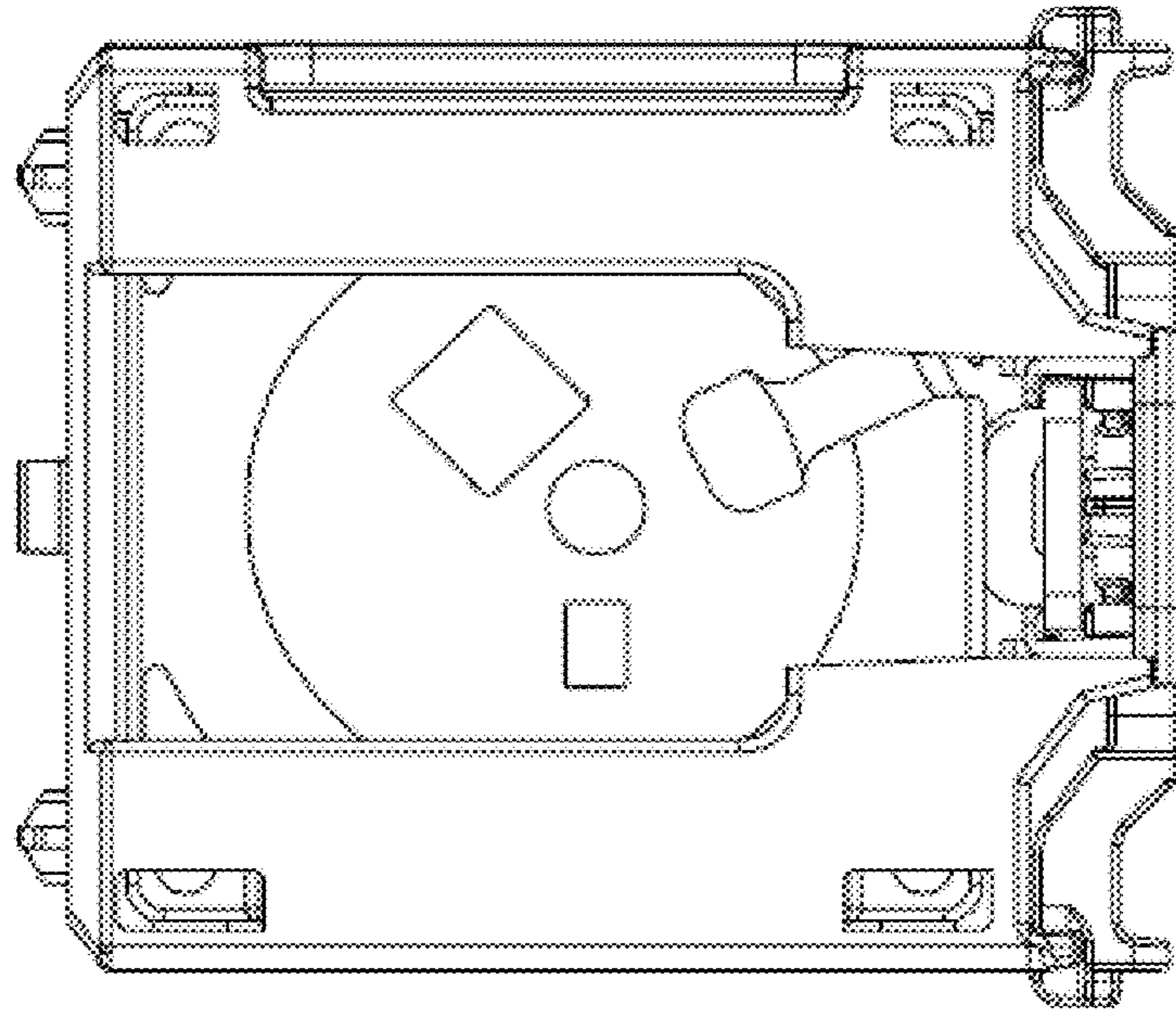


FIG. 9

