



US00D823815S

(12) **United States Design Patent**
Marsden

(10) **Patent No.:** **US D823,815 S**
(45) **Date of Patent:** **** Jul. 24, 2018**

(54) **OUTLET COVER**

(71) Applicant: **Elbee Pty Ltd.**, Bondi Junction (AU)
(72) Inventor: **Andrew Marsden**, Hingham, MA (US)
(73) Assignee: **Elbee Pty Ltd.**, Bondi Junction (AU)
(**) Term: **15 Years**
(21) Appl. No.: **29/581,748**

(22) Filed: **Oct. 21, 2016**

(51) **LOC (11) Cl.** **13-03**

(52) **U.S. Cl.**
USPC **D13/156**

(58) **Field of Classification Search**
USPC D8/351, 353; D10/114.2; D13/9.1,
D13/139.3, 152, 153, 156
CPC .. H01R 13/44; H01R 13/508; H01R 13/4532;
H01R 13/60; H01R 13/62; H01R 13/639;
H01R 13/6395; H01R 13/6397; H02G
3/14
See application file for complete search history.

(56) **References Cited**

U.S. PATENT DOCUMENTS

2,629,761	A	2/1953	Determan	
6,674,003	B1	1/2004	Torres	
7,070,426	B2	7/2006	DeCell, Jr. et al.	
D562,668	S *	2/2008	Stuckey	D8/313
7,820,910	B1 *	10/2010	Cleghorn	H02G 3/14 174/66
D675,081	S *	1/2013	Clark	D8/353
D675,083	S *	1/2013	Clark	D8/353
D726,125	S *	4/2015	Baldwin	D13/156
D744,425	S *	12/2015	Takeda	D13/146
D760,062	S *	6/2016	Groleski	D8/331
D773,785	S *	12/2016	Patulski	D2/853
D773,786	S *	12/2016	Patulski	D2/853
D796,451	S *	9/2017	Huang	D13/153
2008/0179073	A1 *	7/2008	Drane	H01H 21/085 174/67

FOREIGN PATENT DOCUMENTS

CN 104716479 A 6/2015

OTHER PUBLICATIONS

New 6 pcs Russian EU European Euro Standard Child Electric, posted at Aliexpress.com, posted on Nov. 21, 2014, site visited Nov. 17, 2017. online, Available from Internet: https://www.aliexpress.com/promotion/promotion_cover-socket-promotion.html.
[No Author Listed], Dreambaby Keyed Outlet Plugs. Amazon. Publicly available prior to Oct. 21, 2016. 1page. Available at: <https://www.amazon.com/Dreambaby-L1421-Keyed-Outlet-Plugs/dp/B001ICZU3Q>.

* cited by examiner

Primary Examiner — Mary Ann Calabrese

Assistant Examiner — Catherine Ho

(74) *Attorney, Agent, or Firm* — Wolf, Greenfield & Sacks, P.C.

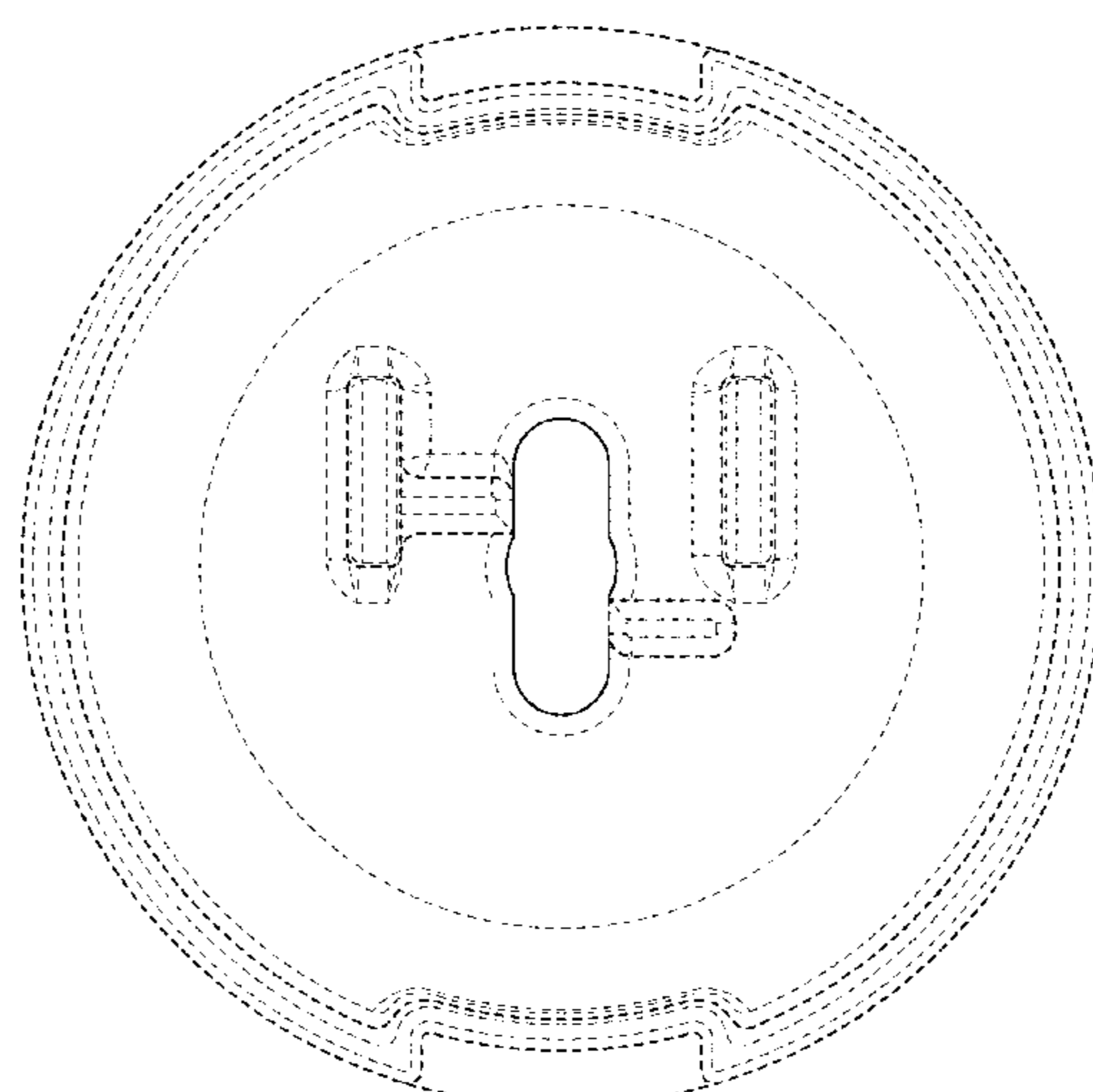
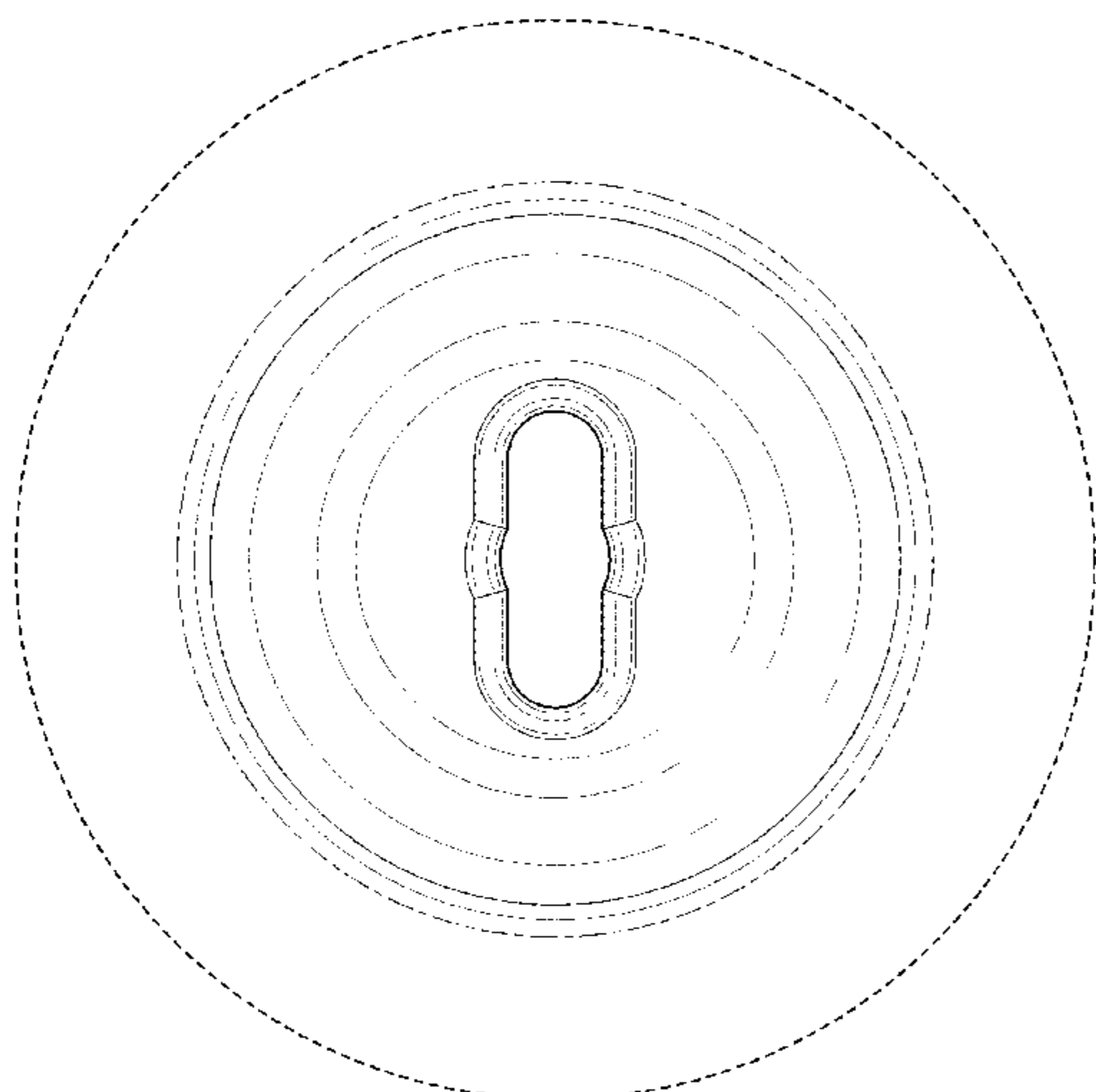
(57) **CLAIM**

The ornamental design for an outlet cover, as shown and described.

DESCRIPTION

FIG. 1 is a top, front, left side perspective view of an outlet cover showing our new design;
FIG. 2 is a bottom, front, right side perspective view thereof;
FIG. 3 is a front plan view thereof;
FIG. 4 is a rear view thereof;
FIG. 5 is a left side view thereof;
FIG. 6 is a right side view thereof;
FIG. 7 is a top plan view thereof; and,
FIG. 8 is a bottom plan view thereof.
The dot-dash broken lines are boundary lines which define the edge of the claimed design. It is understood that the boundary lines form no part of the claimed design. All other broken lines illustrate portions of the outlet cover that form no part of the claimed design.

1 Claim, 8 Drawing Sheets



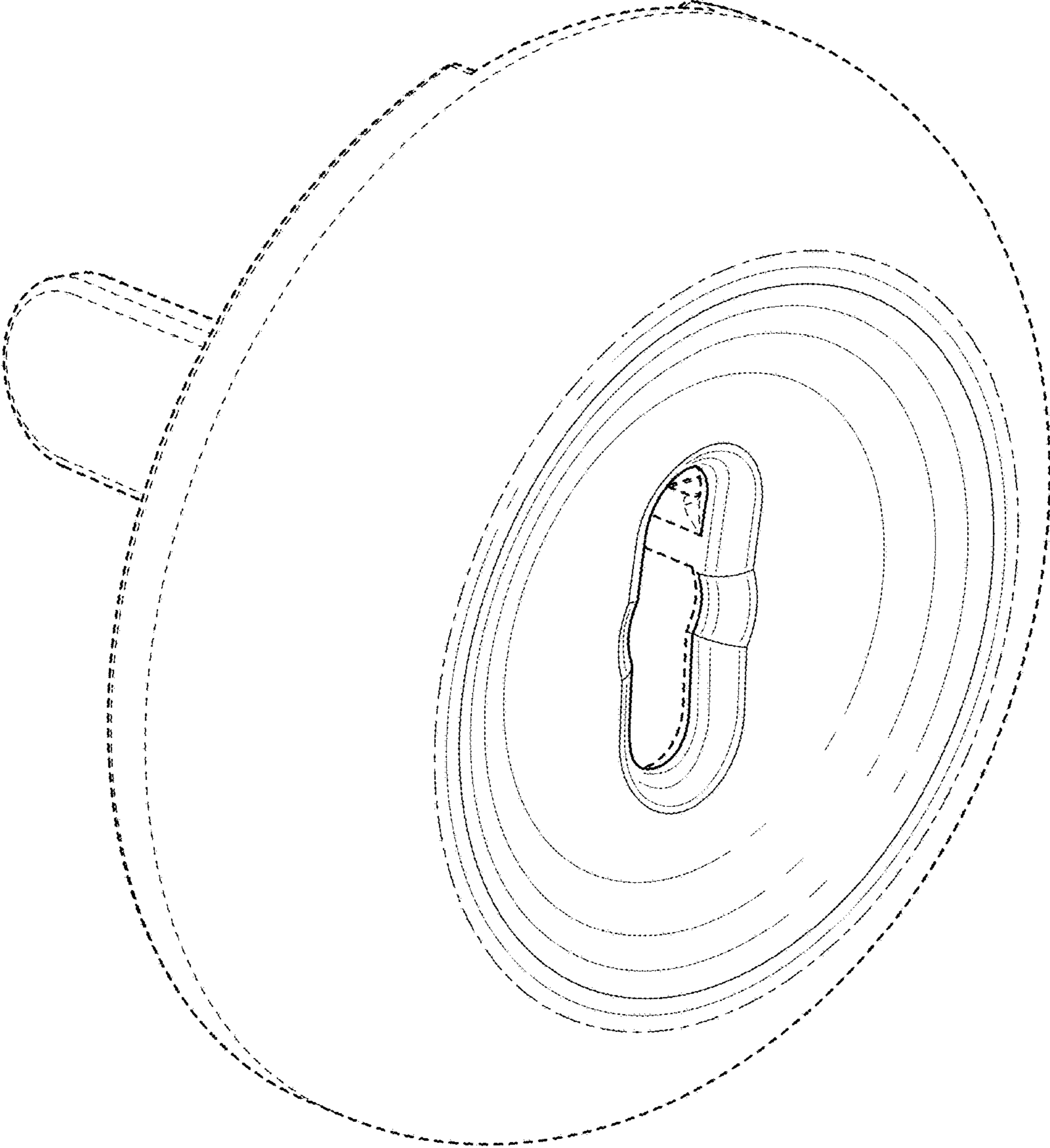


FIG. 1

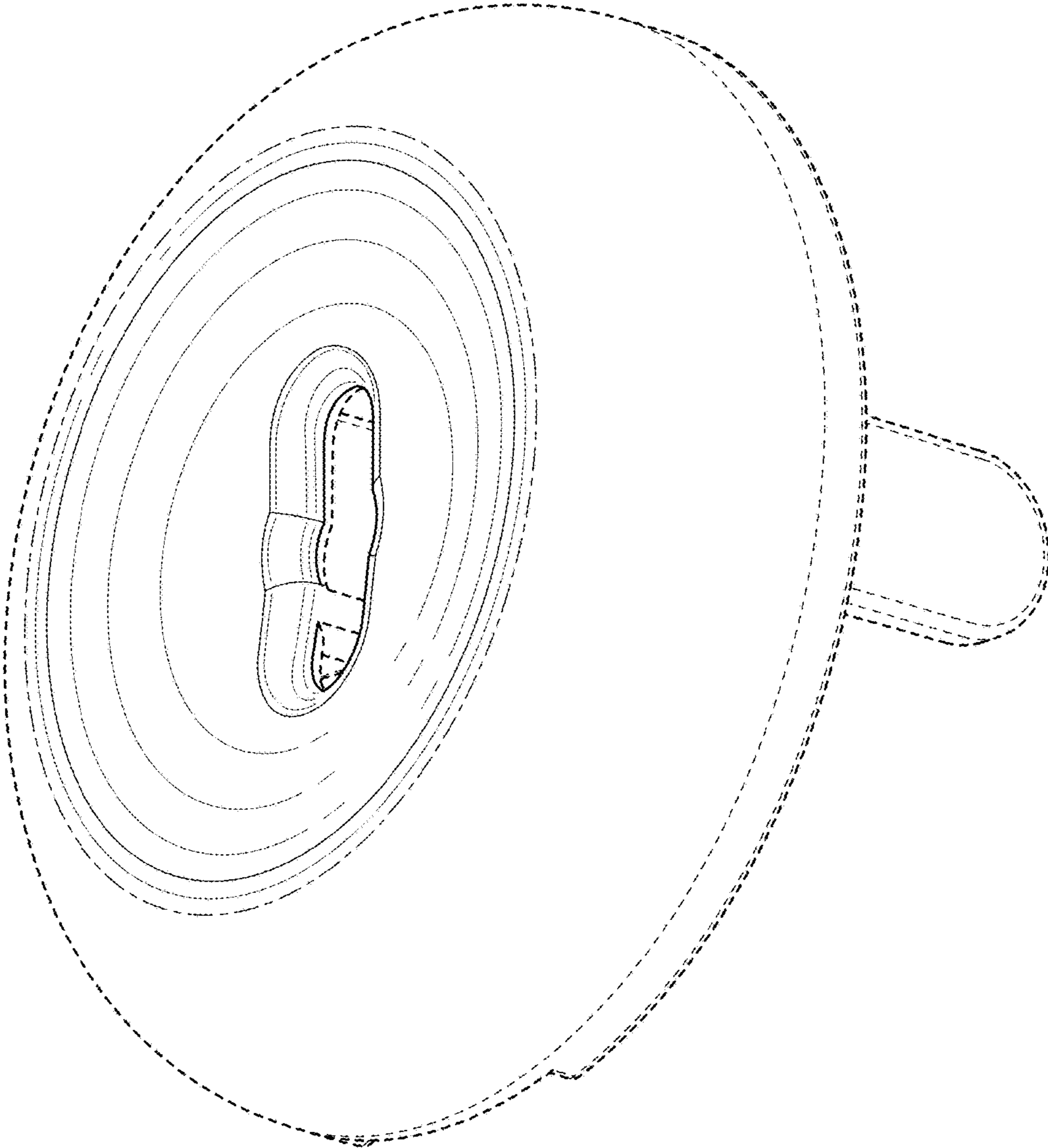


FIG. 2

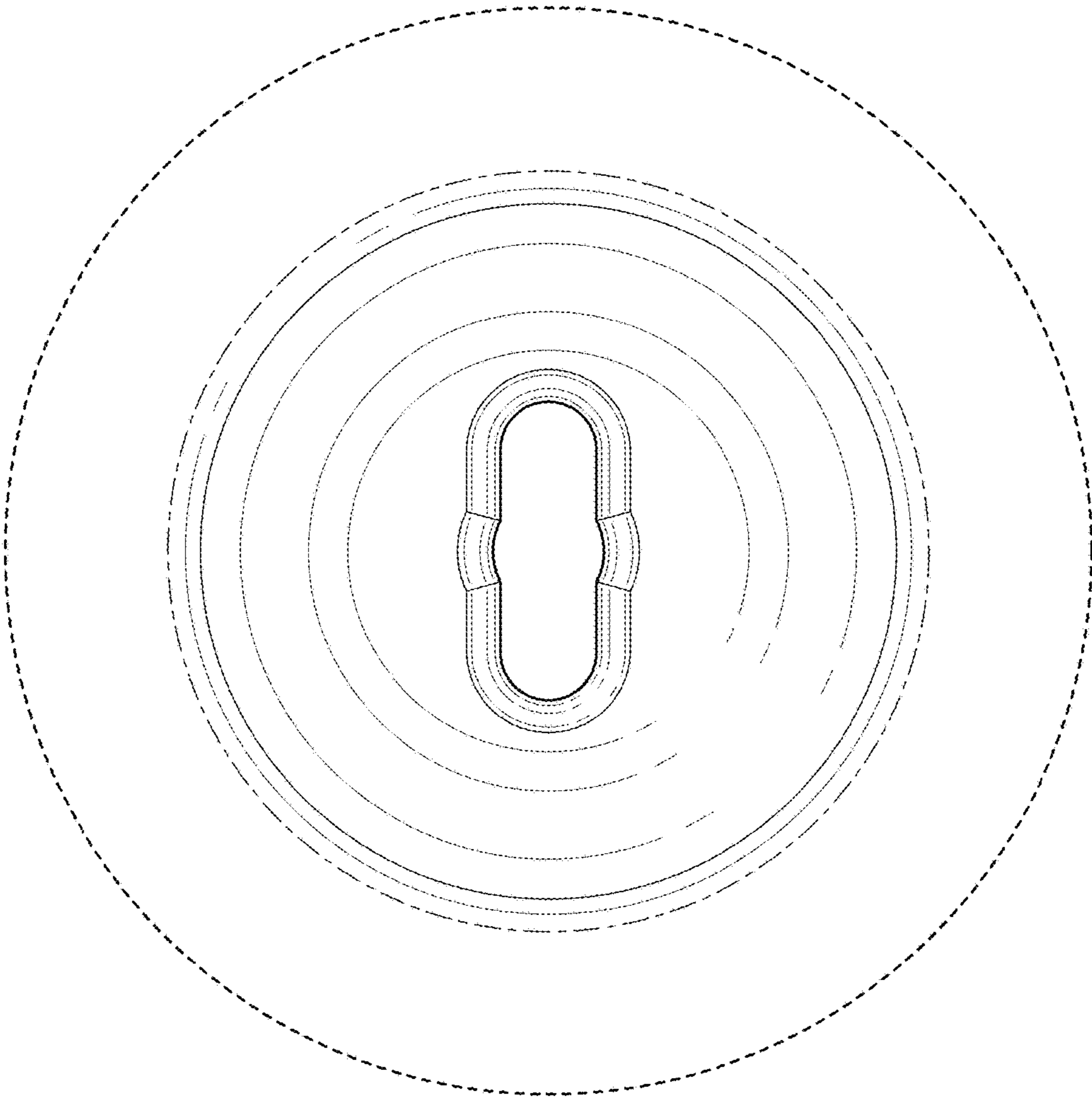


FIG. 3

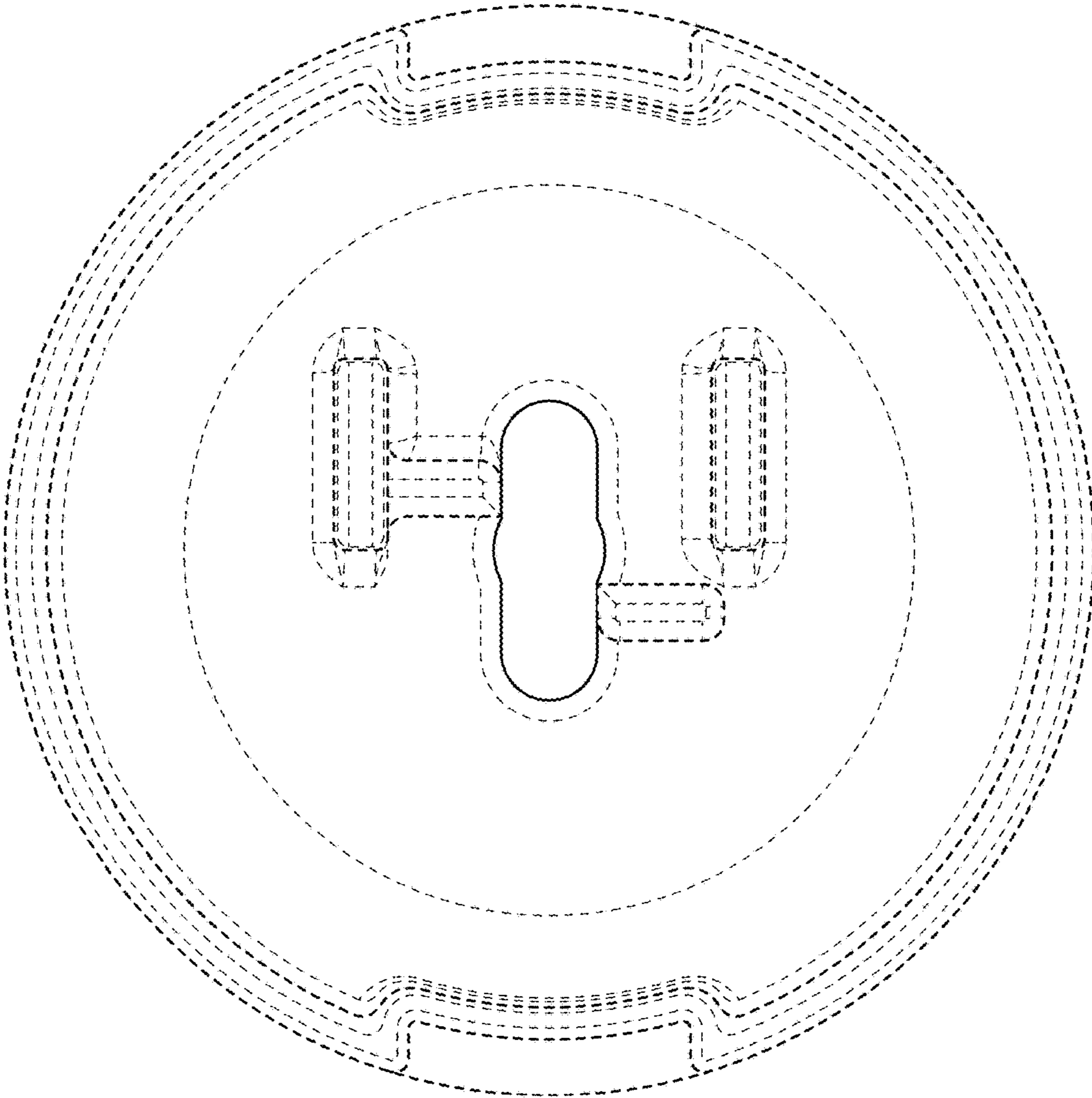


FIG. 4

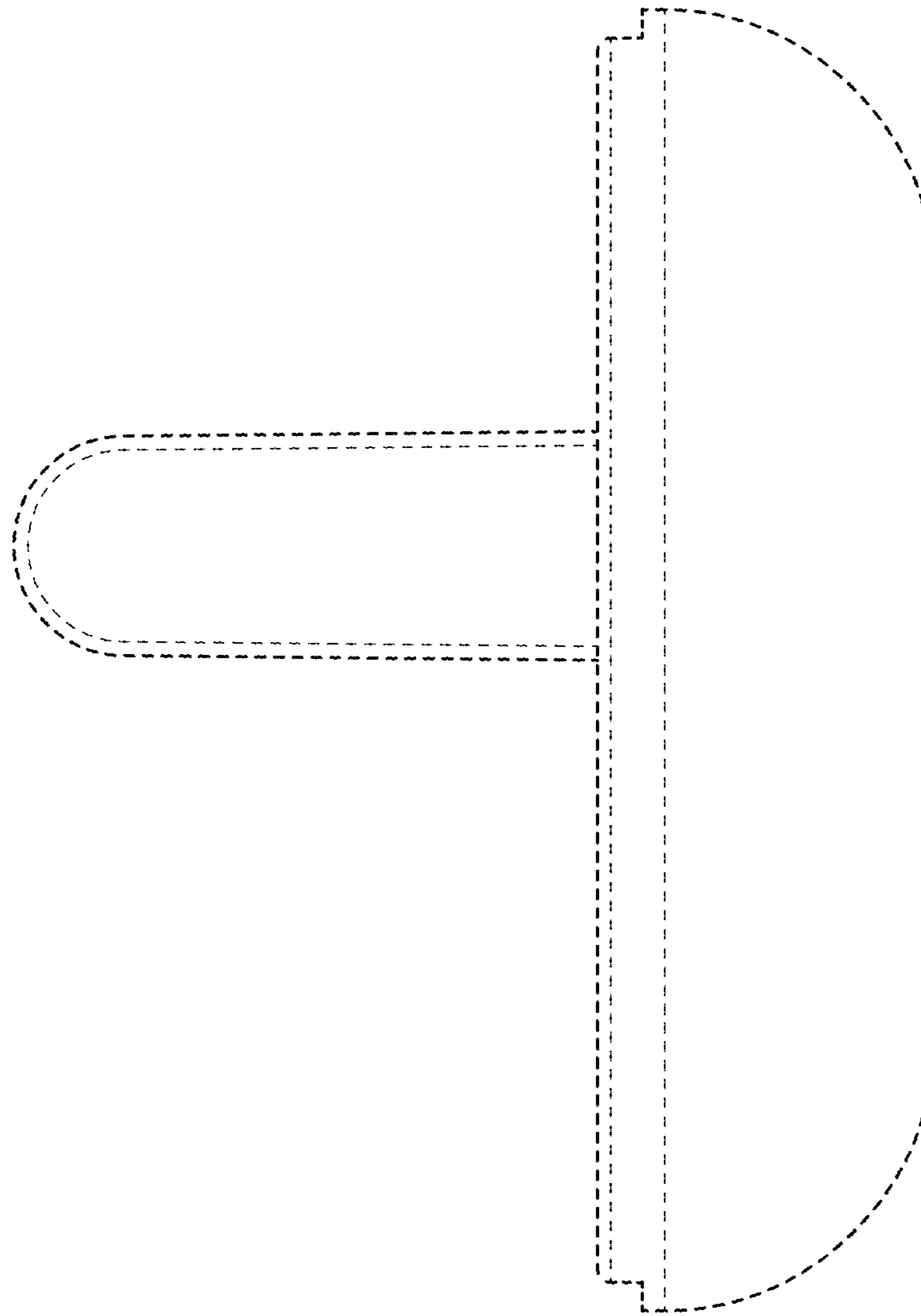


FIG. 5

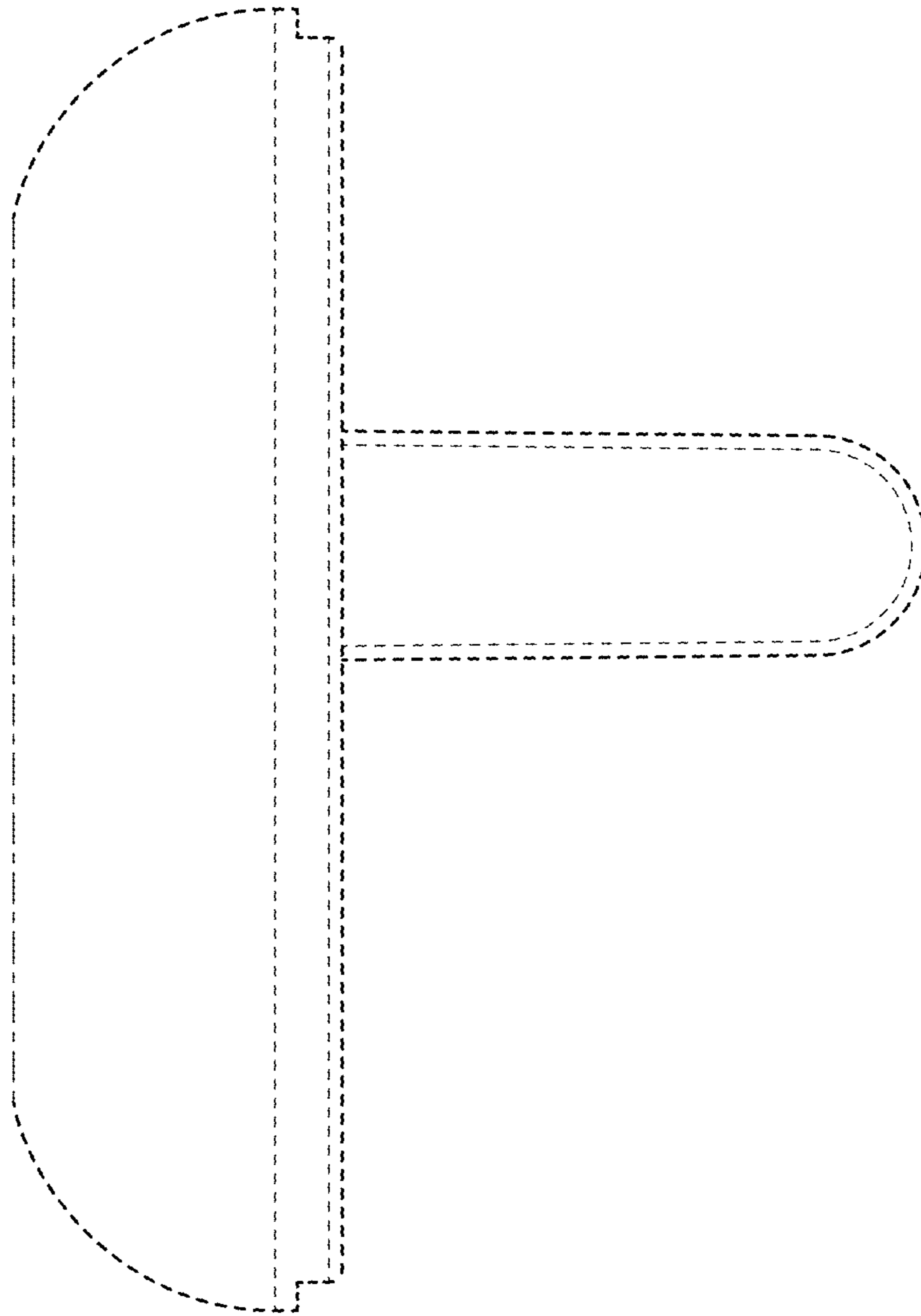


FIG. 6

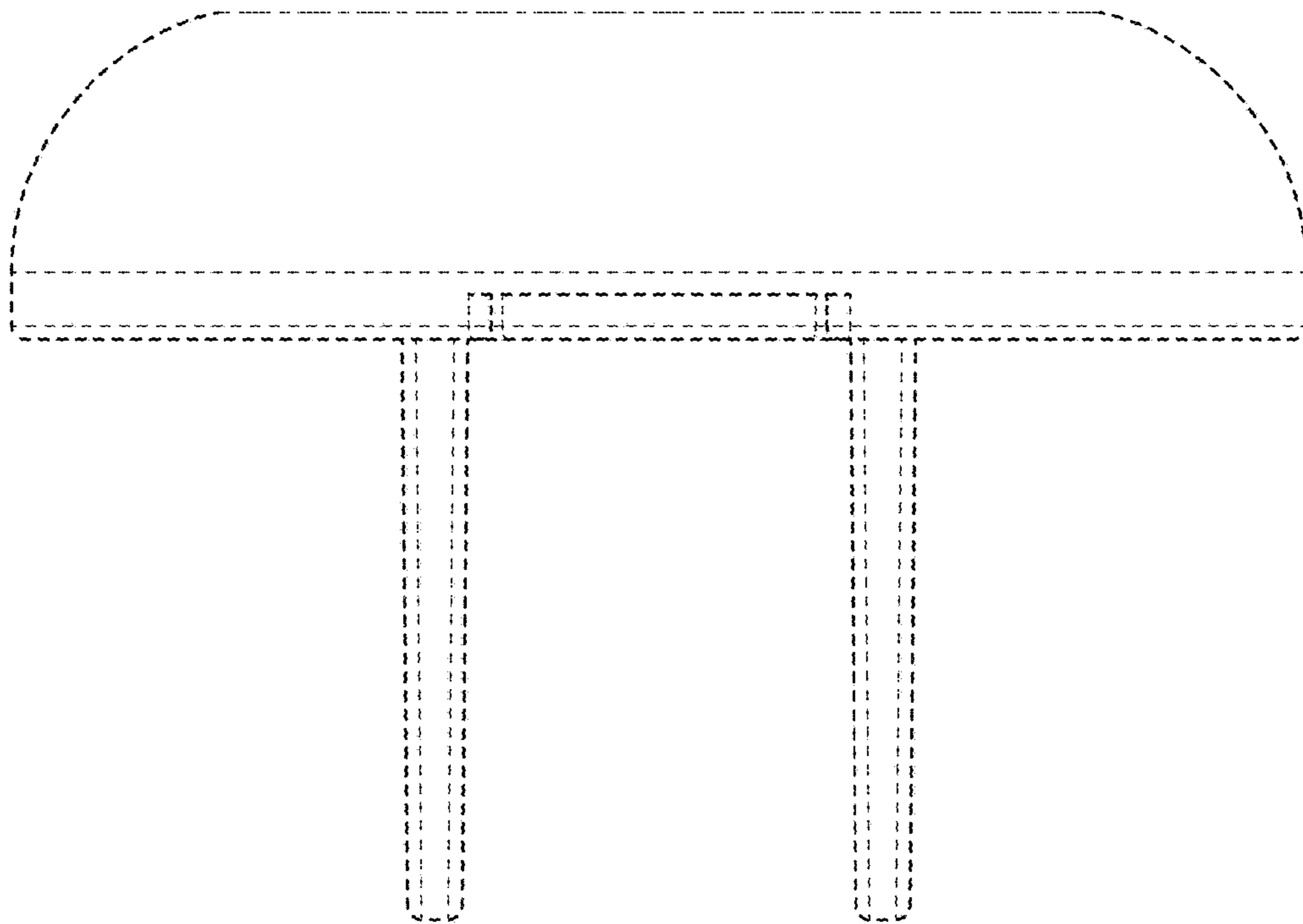


FIG. 7

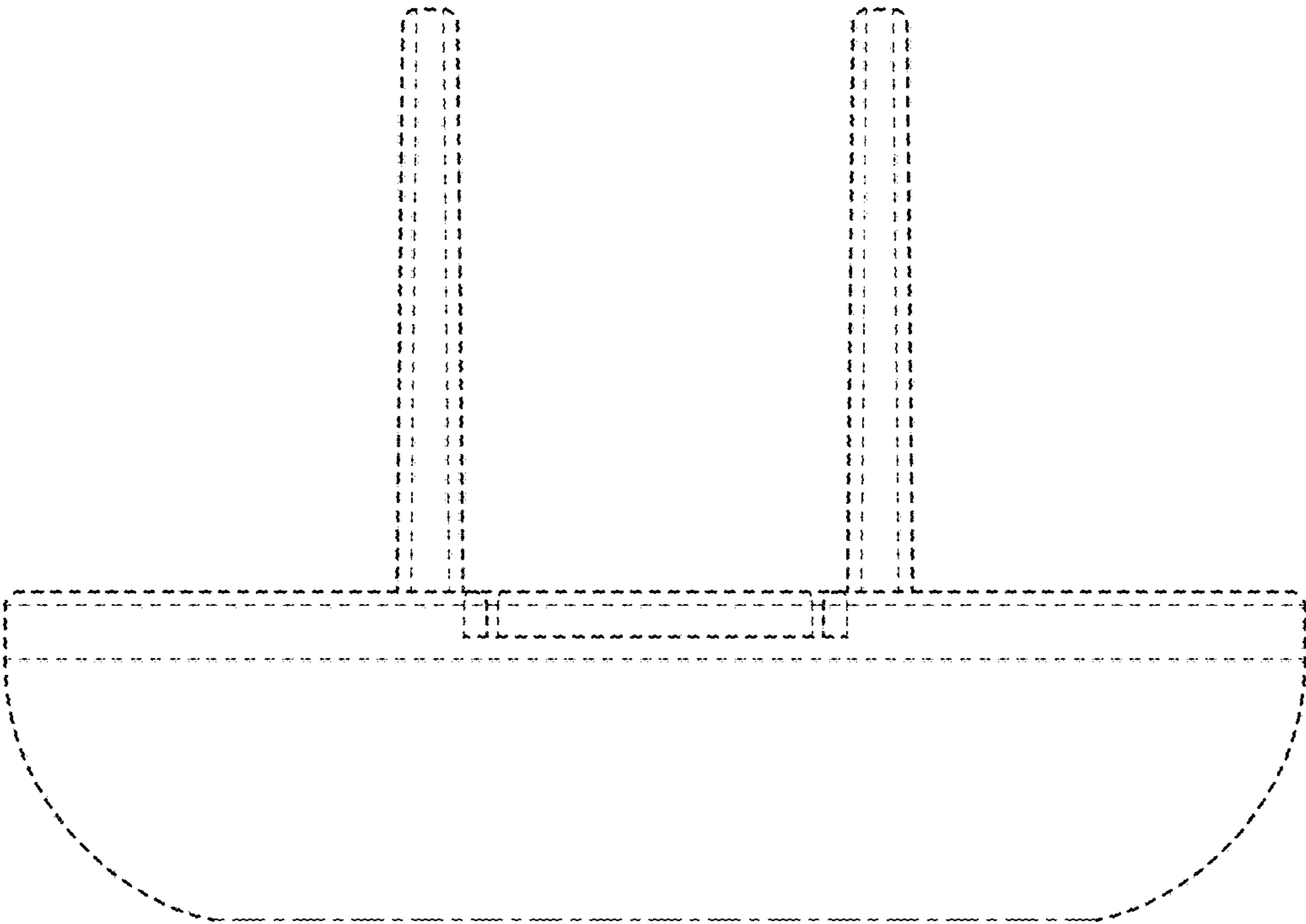


FIG. 8