



US00D823813S

(12) **United States Design Patent**
Riner

(10) **Patent No.:** **US D823,813 S**

(45) **Date of Patent:** **** Jul. 24, 2018**

(54) **DATA PORT ADAPTER**

(71) Applicant: **Group Dekko, Inc.**, Garrett, IN (US)

(72) Inventor: **Raymond H. Riner**, Fort Wayne, IN (US)

(73) Assignee: **Group Dekko, Inc.**, Garrett, IN (US)

(**) Term: **15 Years**

(21) Appl. No.: **29/592,719**

(22) Filed: **Feb. 1, 2017**

(51) **LOC (11) Cl.** **13-03**

(52) **U.S. Cl.**

USPC **D13/154**; D13/133

(58) **Field of Classification Search**

USPC D8/349, 354, 363, 364; D13/103, 110, D13/112, 118, 123, 133, 139.3, 139.5, D13/146, 147, 152, 154-156, 158-161, D13/166, 169, 171, 173, 174, 178, 182, D13/184, 199

CPC ... G06F 1/1632; G06F 13/4022; H01R 12/00; H01R 23/02; H01R 23/88; H01R 23/94; H01R 25/00; H01R 37/02; H01R 31/00; H01R 33/90; H01R 33/92; H01R 13/66; H01R 13/73; H01R 13/74; H01R 4/24; H01R 4/60; A47B 21/06; H02J 3/00; H05K 5/02

See application file for complete search history.

(56) **References Cited**

U.S. PATENT DOCUMENTS

- 4,863,399 A * 9/1989 Medlin, Jr. H01R 13/74 248/27.1
- 6,146,153 A * 11/2000 Koradia H01R 12/716 439/638
- D448,350 S * 9/2001 Bentz D13/152
- 7,497,738 B2 * 3/2009 Kuo H01R 29/00 439/638
- D633,879 S * 3/2011 Heng D13/182

- D804,933 S * 12/2017 Rock D8/349
- D810,545 S * 2/2018 Stevens D8/349
- 2005/0112939 A1 * 5/2005 Grzegorzewska ... G02B 6/3825 439/534
- 2009/0002956 A1 * 1/2009 Suwa B60L 1/003 361/728
- 2013/0323952 A1 * 12/2013 Loureiro H01R 13/527 439/271

(Continued)

OTHER PUBLICATIONS

Ashley Trio Above Worksurface Mounting, dated Oct. 16, 2014, [online], [site visited Mar. 14, 2018]. Available from Internet, <URL: <http://www.dekko.com/wp-content/uploads/2016/02/Ashley-Trio-Group-Dekko-Assy-Instruction-Corded-Option-REV-B-10.16.2014.pdf>>.*

Primary Examiner — Thomas Johannes

Assistant Examiner — Shawn T Gingrich

(74) *Attorney, Agent, or Firm* — Taylor IP, P.C.

(57) **CLAIM**

The ornamental design for a data port adapter, as shown and described.

DESCRIPTION

FIG. 1 is a perspective view of a data port adapter showing my new design;

FIG. 2 is another perspective view thereof;

FIG. 3 is a top view thereof;

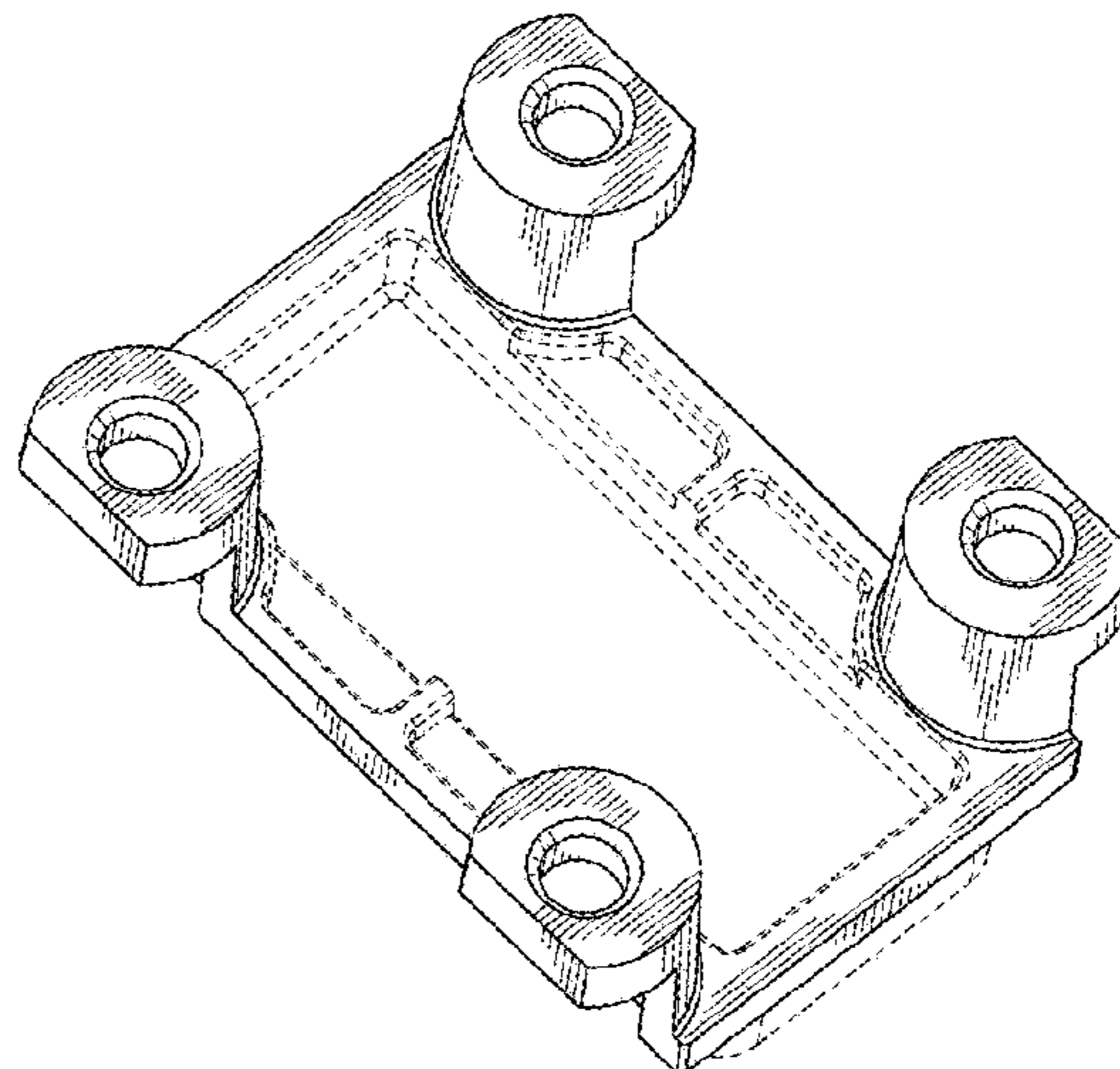
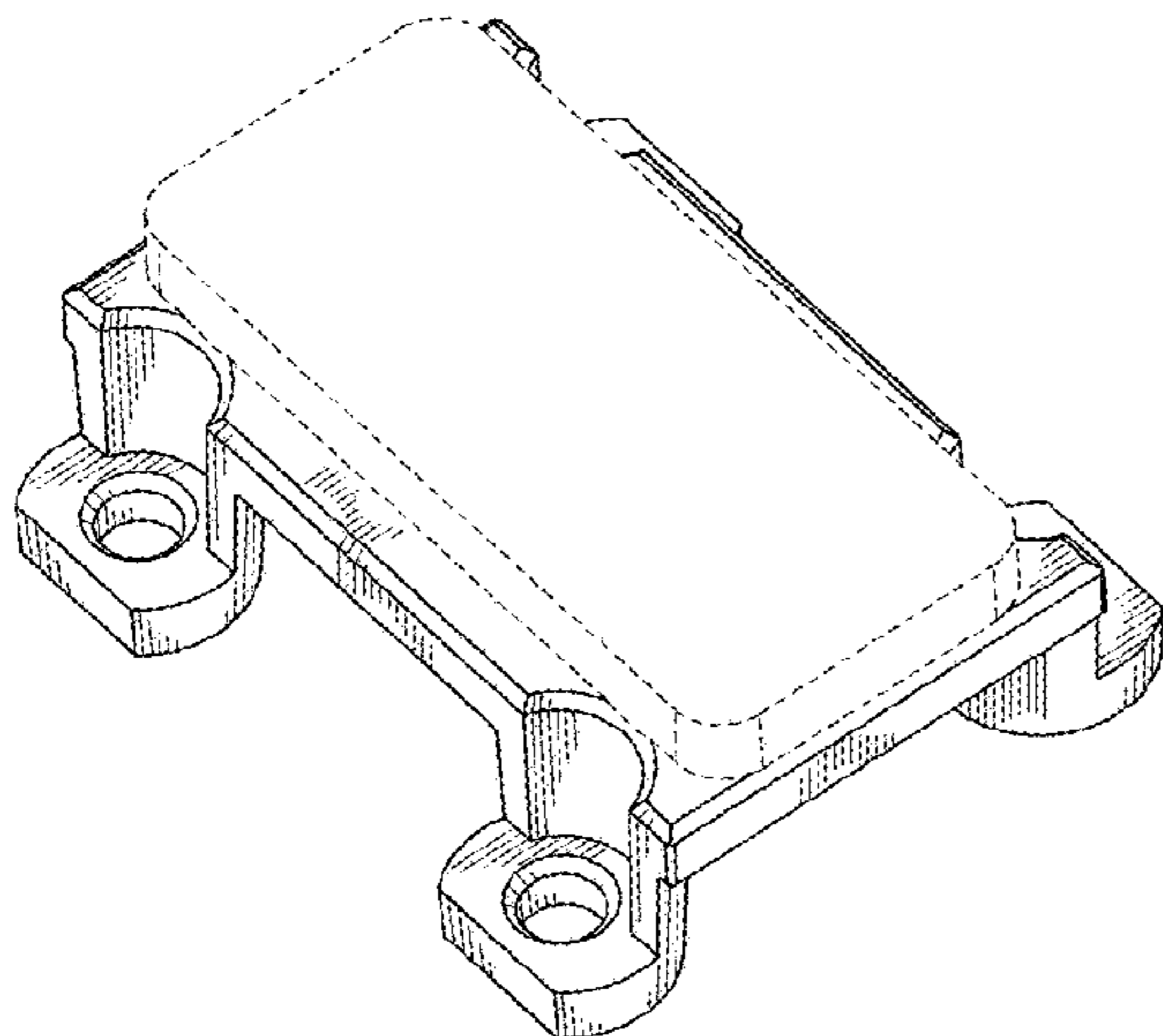
FIG. 4 is a side view thereof, additionally the opposite side view is omitted because this view is a mirror image of FIG. 4;

FIG. 5 is a front view thereof, additionally the opposite rear view is omitted because this view is an identical image of FIG. 5; and,

FIG. 6 is a bottom view thereof.

In the drawings, the broken lines are for the purpose of illustrating environment only and form no part of the claimed design.

1 Claim, 3 Drawing Sheets



(56)

References Cited

U.S. PATENT DOCUMENTS

2015/0163884 A1* 6/2015 Dahlen H05B 37/00
315/185 R
2016/0064876 A1* 3/2016 Garcia H01R 13/74
439/540.1
2016/0365681 A1* 12/2016 Mito H01R 13/73

* cited by examiner

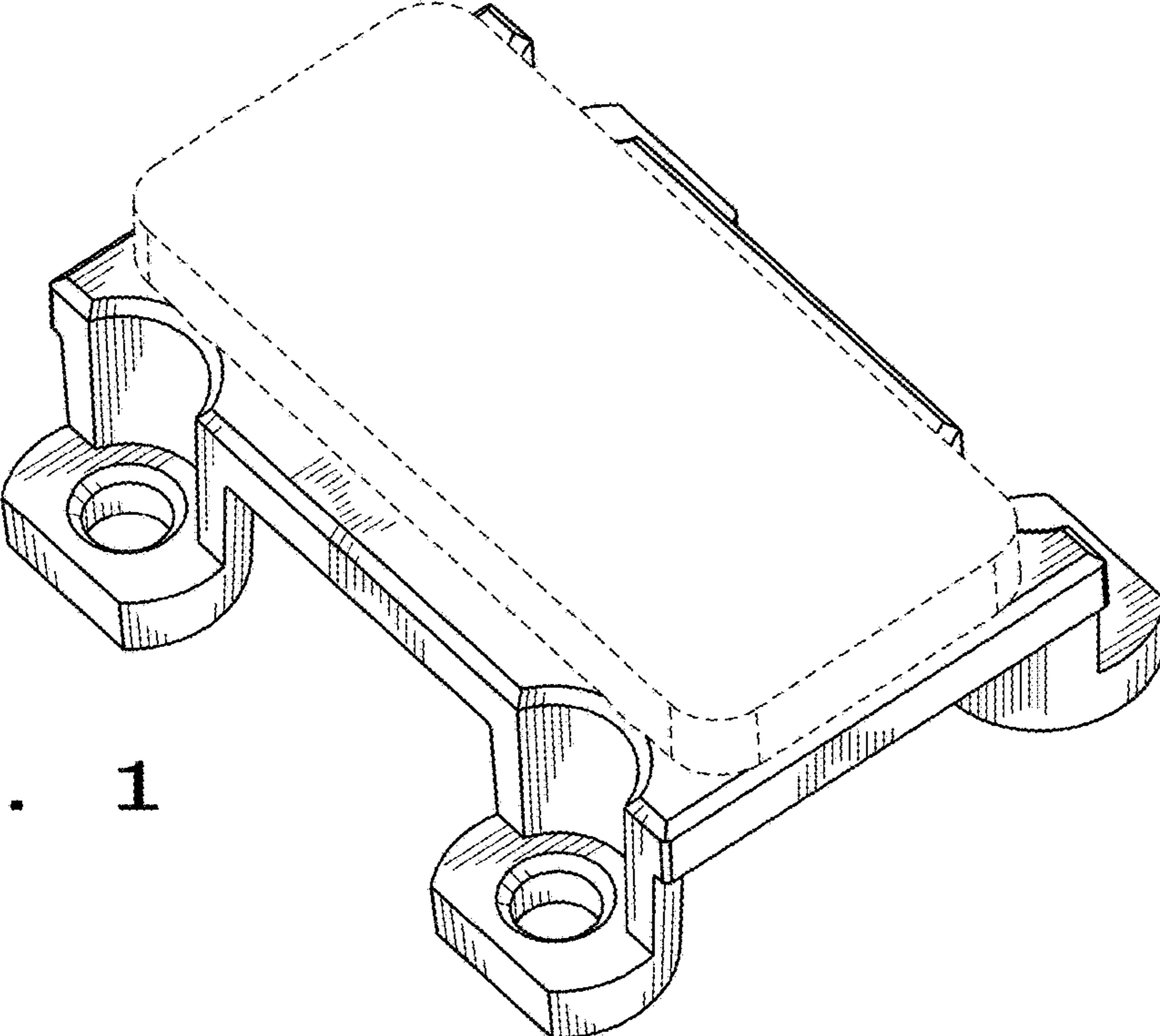


Fig. 1

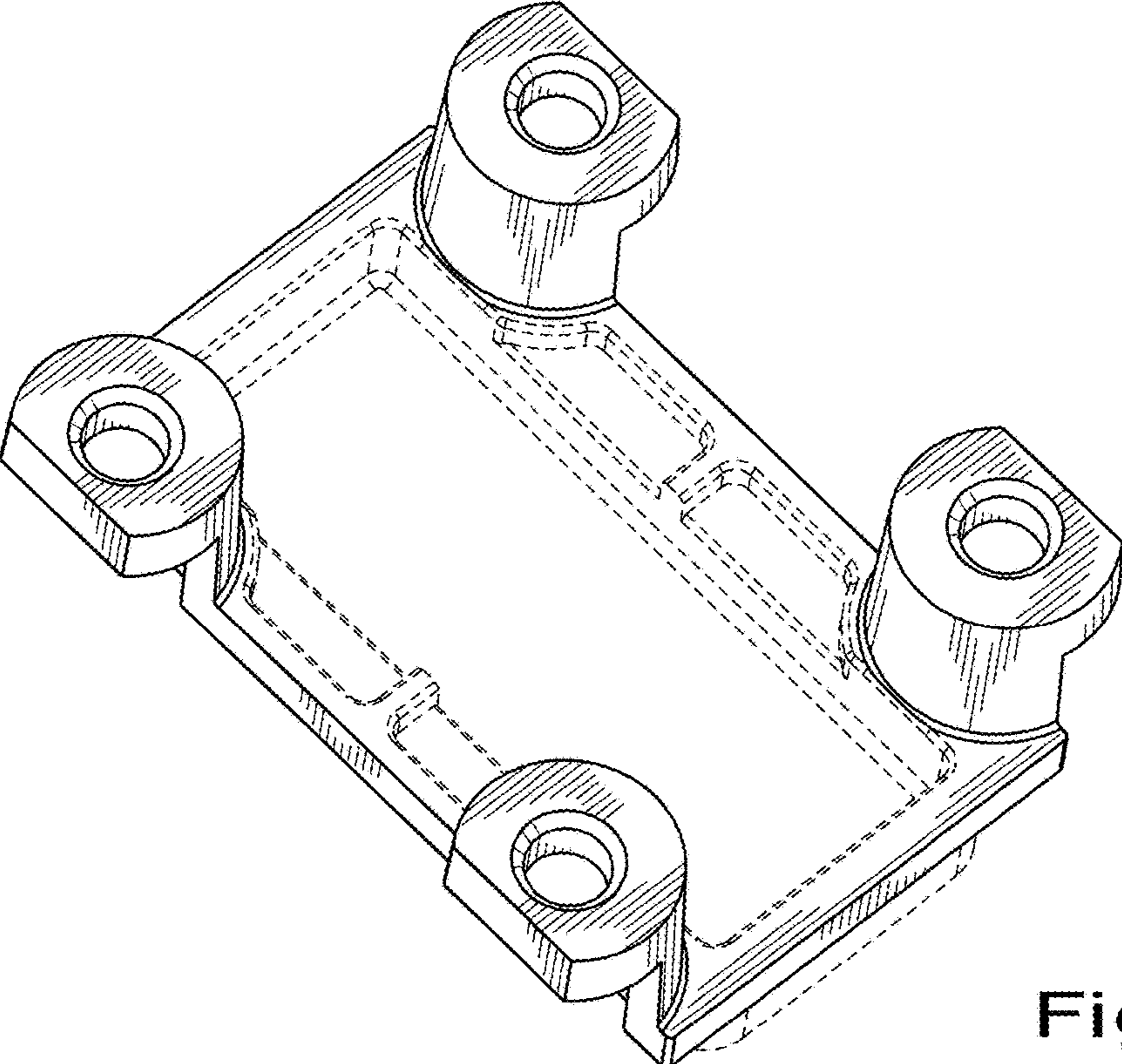


Fig. 2

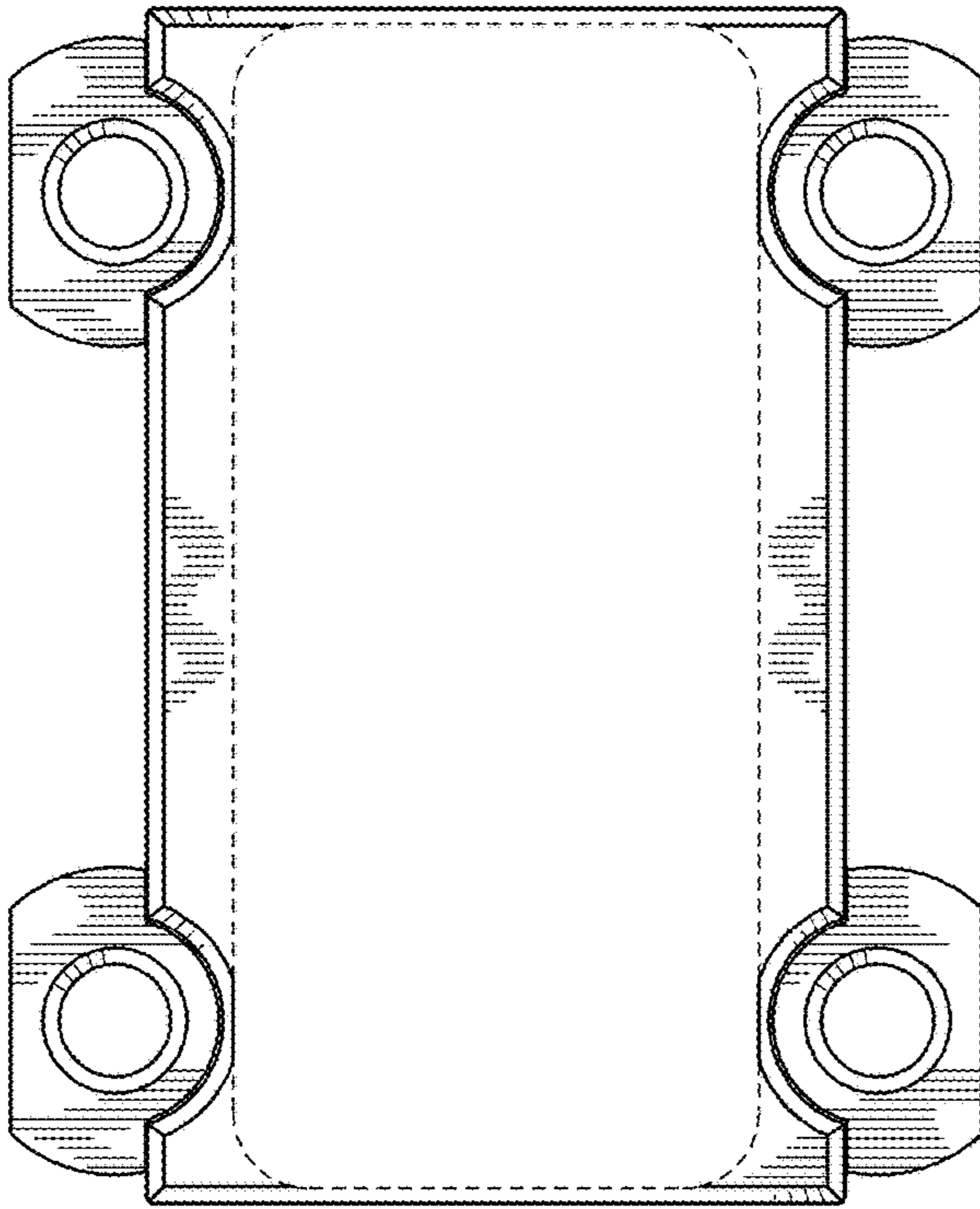


Fig. 3

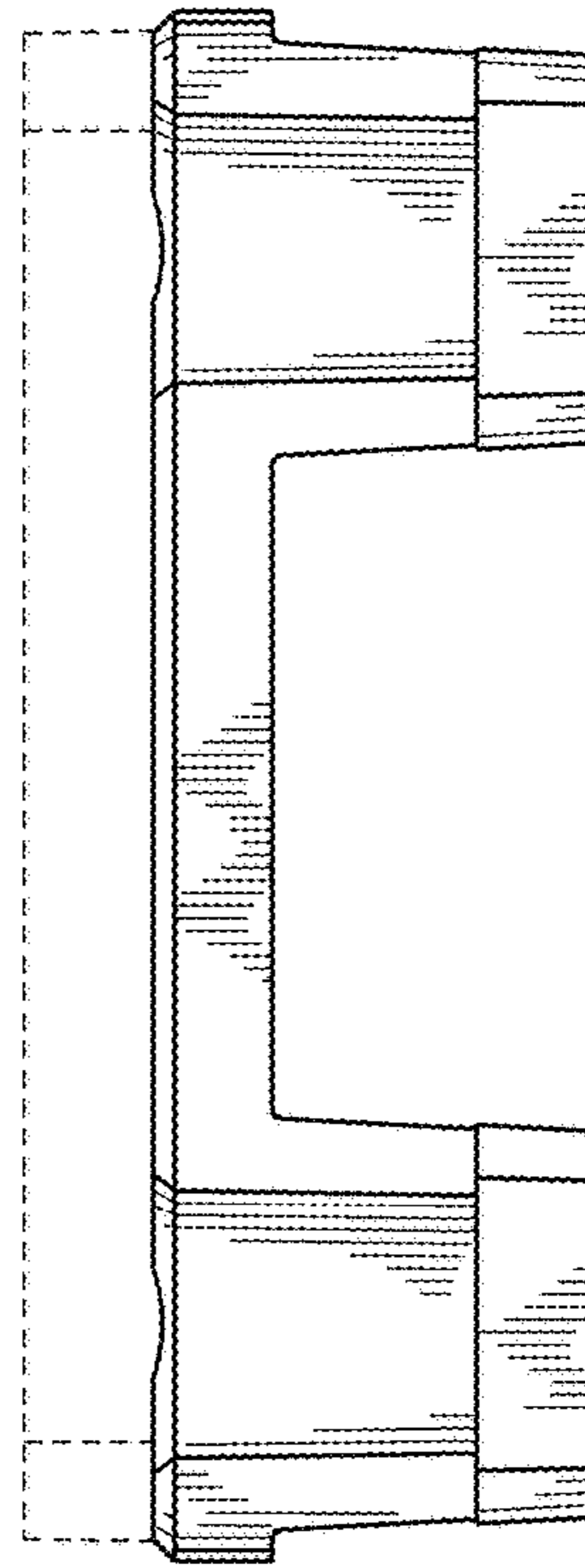


Fig. 4

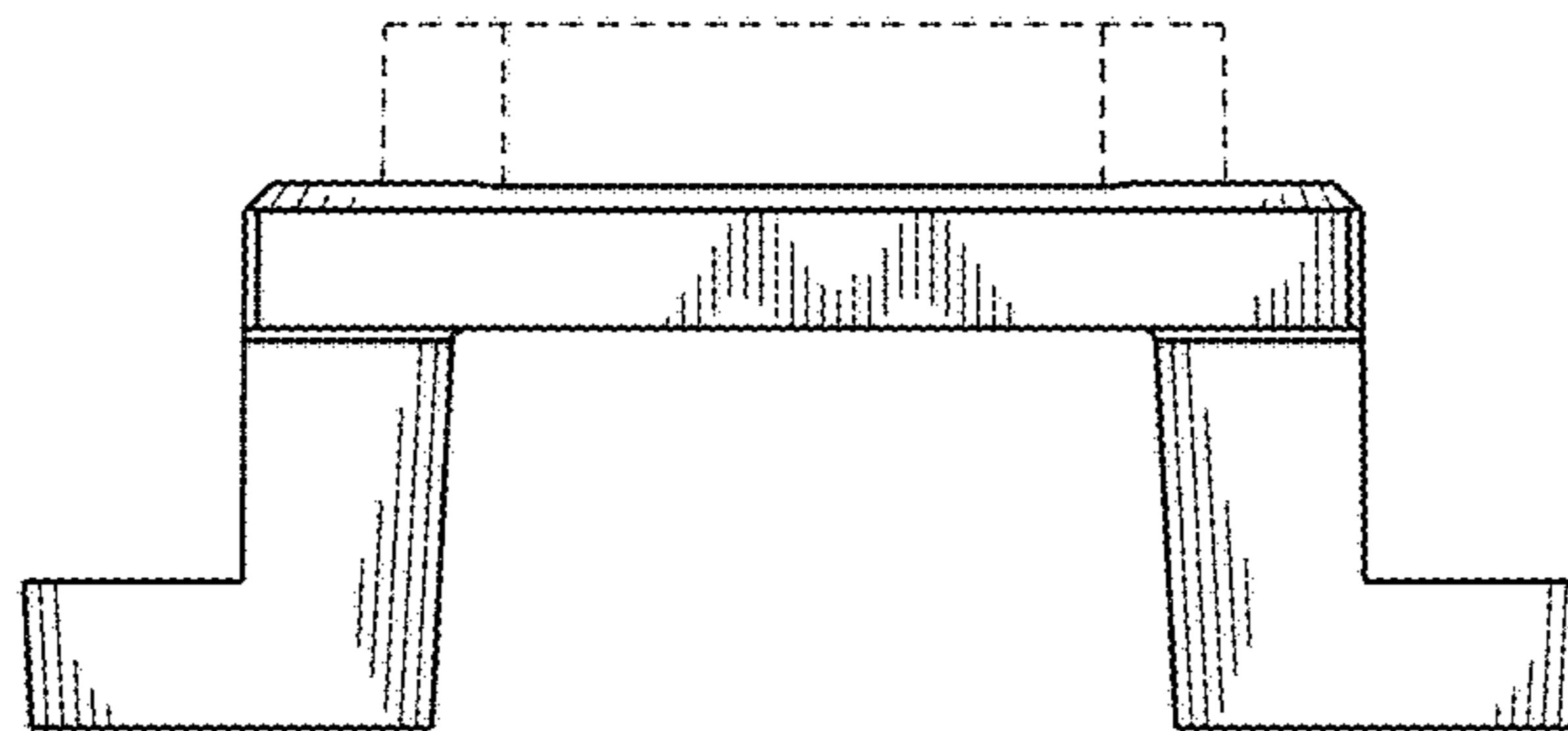


Fig. 5

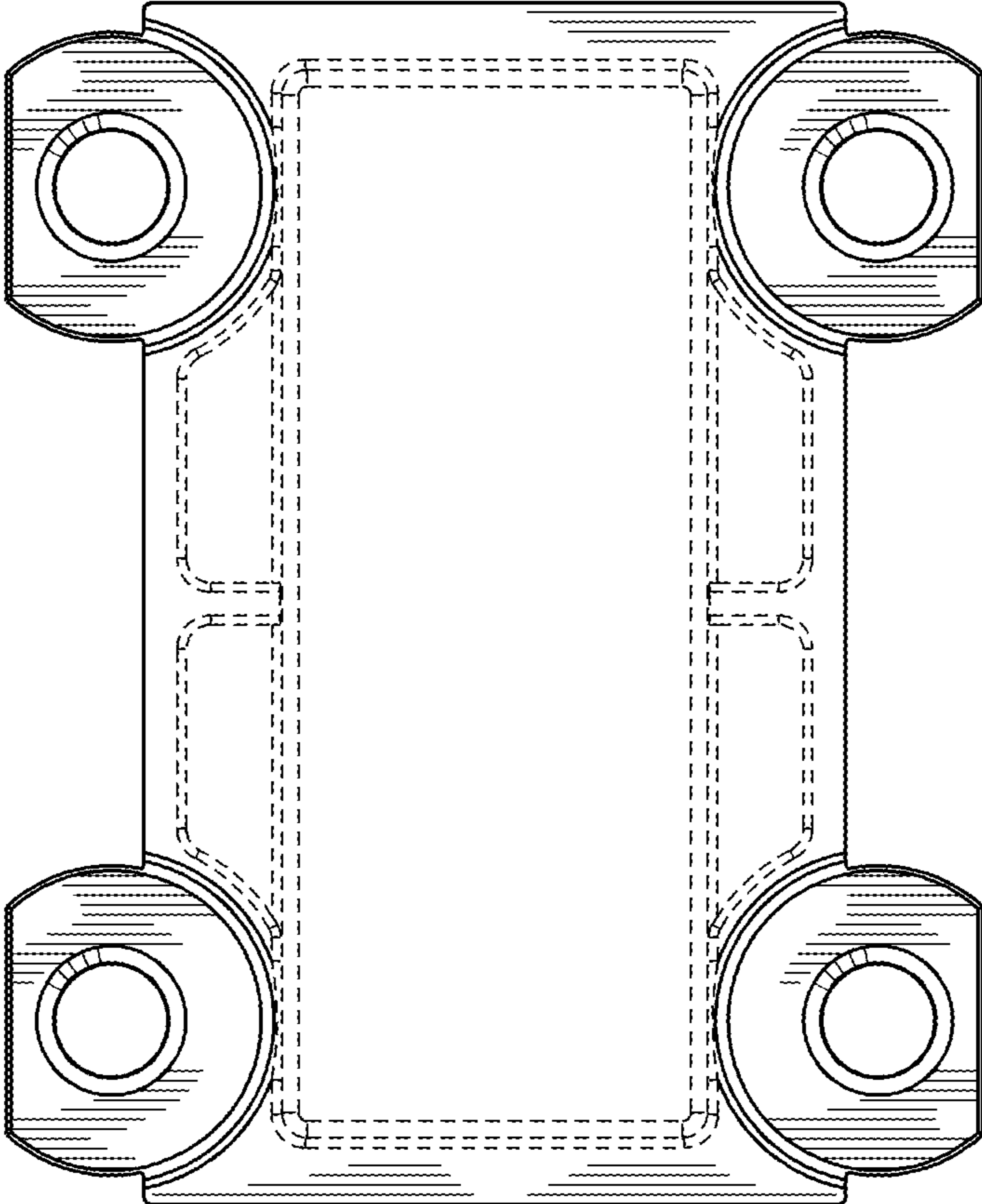


Fig. 6