



US00D823810S

(12) **United States Design Patent**
Zhang et al.

(10) **Patent No.:** **US D823,810 S**
(45) **Date of Patent:** **** Jul. 24, 2018**

(54) **ELECTRICAL CONNECTOR**

(71) Applicant: **Cheng Uei Precision Industry Co., Ltd.**, New Taipei (TW)
(72) Inventors: **Yun-Feng Zhang**, Dong-Guan (CN); **Zhi-Bin Dong**, Dong-Guan (CN); **Feng Zhu**, Dong-Guan (CN)
(73) Assignee: **CHENG UEI PRECISION INDUSTRY CO., LTD.**, New Taipei (TW)
(**) Term: **15 Years**

(21) Appl. No.: **29/618,590**
(22) Filed: **Sep. 22, 2017**
(51) **LOC (11) Cl.** **13-03**
(52) **U.S. Cl.**
USPC **D13/147**
(58) **Field of Classification Search**
USPC D13/123, 133, 146, 147, 154, 184, 199
CPC H01R 12/00; H01R 12/50; H01R 12/71; H01R 12/712; H01R 13/516; H01R 23/70; H01R 12/51; H01R 12/52; H01R 12/57; H01R 12/592; H01R 12/61; H01R 12/63; H01R 12/7005; H01R 12/716; H01R 12/72; H01R 13/585; H01R 13/6271; H01R 13/635; H01R 13/6587; H01R 13/6588; H01R 13/659; H01R 13/6594; H01R 13/66

See application file for complete search history.

(56) **References Cited**

U.S. PATENT DOCUMENTS

D532,758	S	*	11/2006	Shimodaira	D13/184
D593,494	S	*	6/2009	Ma	D13/147
D653,623	S	*	2/2012	Young	D13/155
D695,698	S	*	12/2013	Greenberg	D13/123
9,680,252	B2	*	6/2017	Hashiguchi	H01R 13/6205
2016/0285198	A1	*	9/2016	Zhou	H01R 13/6205

* cited by examiner

Primary Examiner — Daniel Bui

(74) *Attorney, Agent, or Firm* — Cheng-Ju Chiang

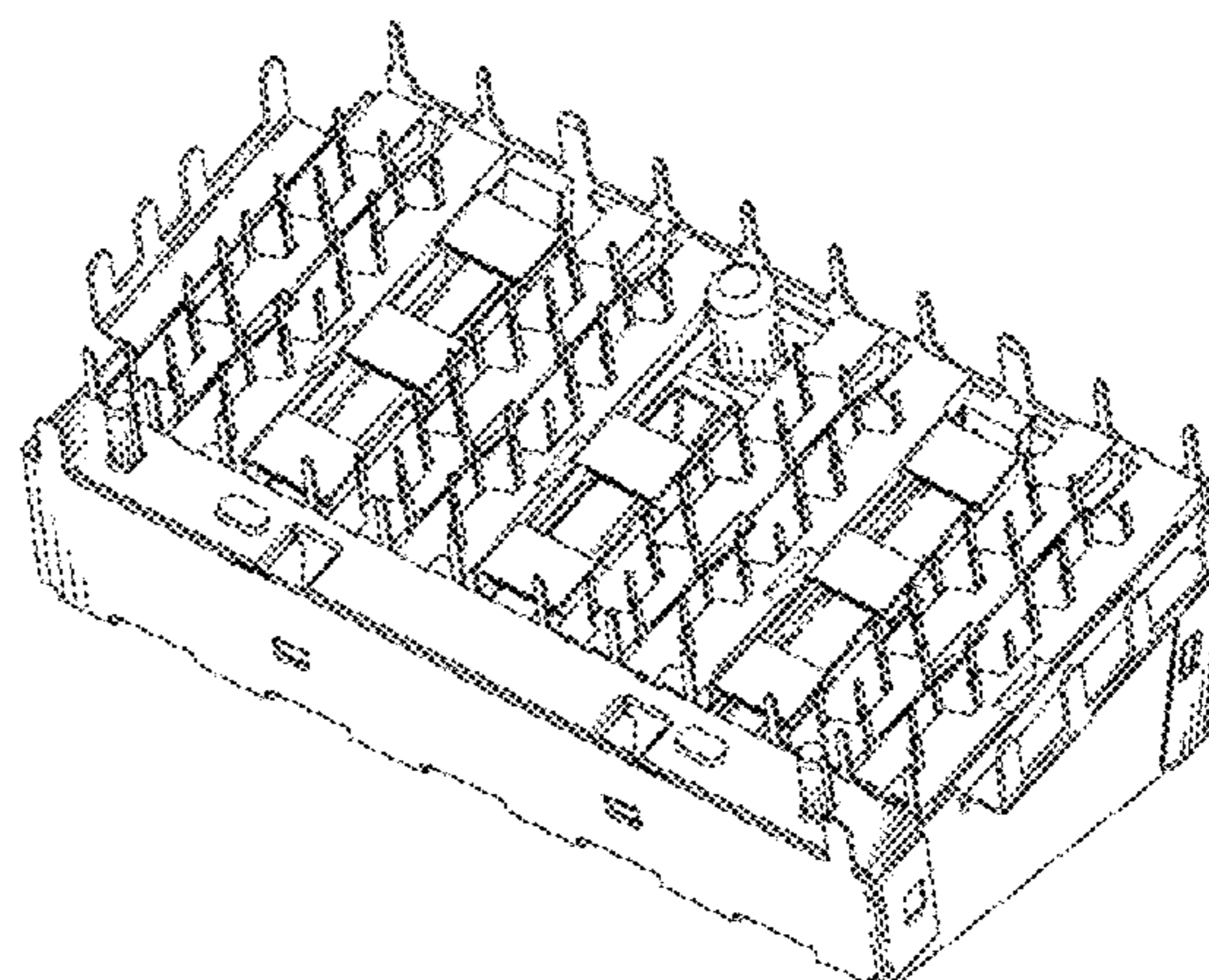
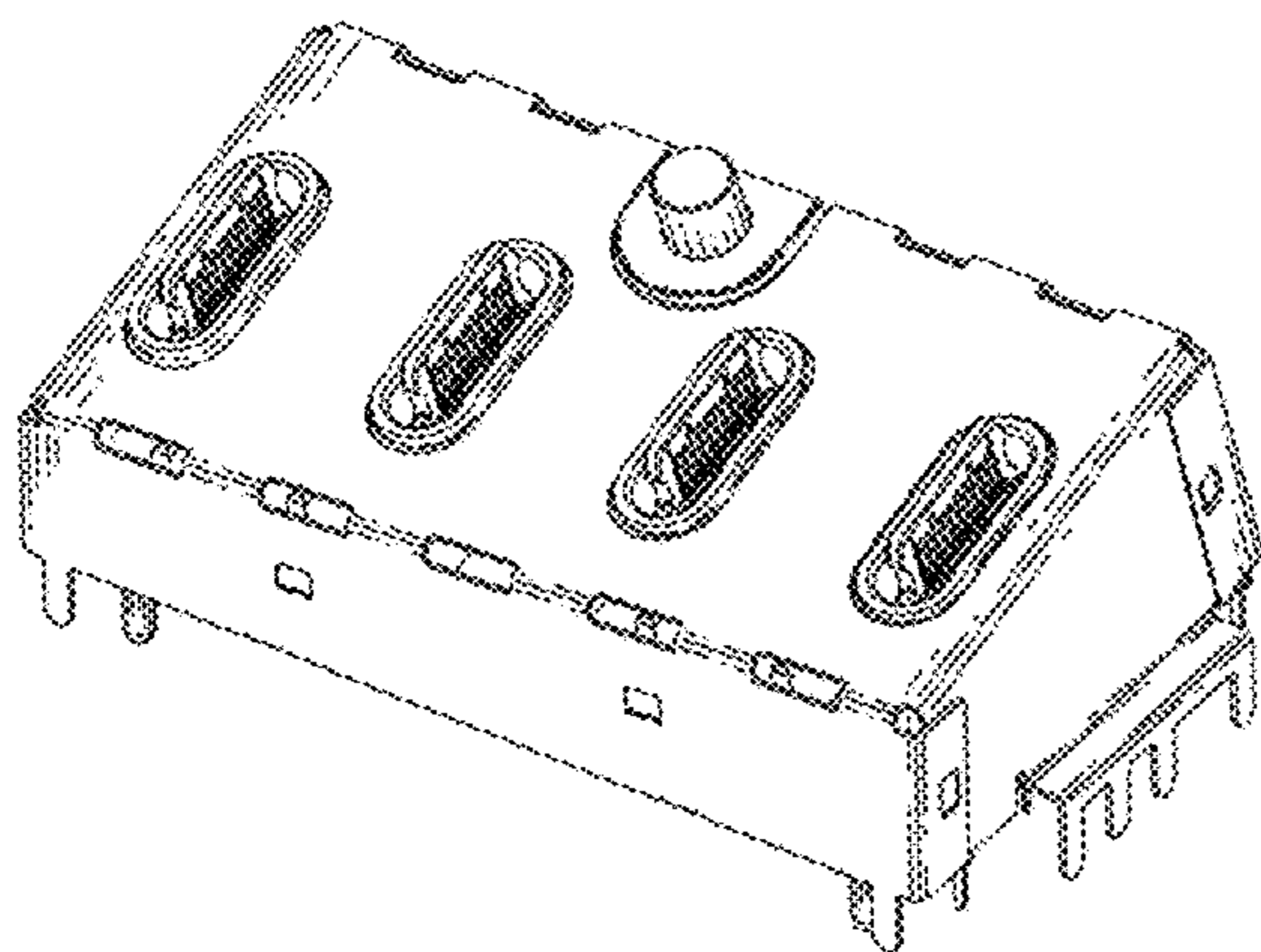
(57) **CLAIM**

The ornamental design for an electrical connector, as shown and described.

DESCRIPTION

FIG. 1 is a perspective view of an electrical connector showing our new design;
FIG. 2 is a front elevational view thereof;
FIG. 3 is a rear elevational view thereof;
FIG. 4 is a left side elevational view thereof;
FIG. 5 is a right side elevational view thereof;
FIG. 6 is a top plan view thereof;
FIG. 7 is a bottom plan view thereof; and,
FIG. 8 is another perspective view of the electrical connector showing our new design.

1 Claim, 8 Drawing Sheets



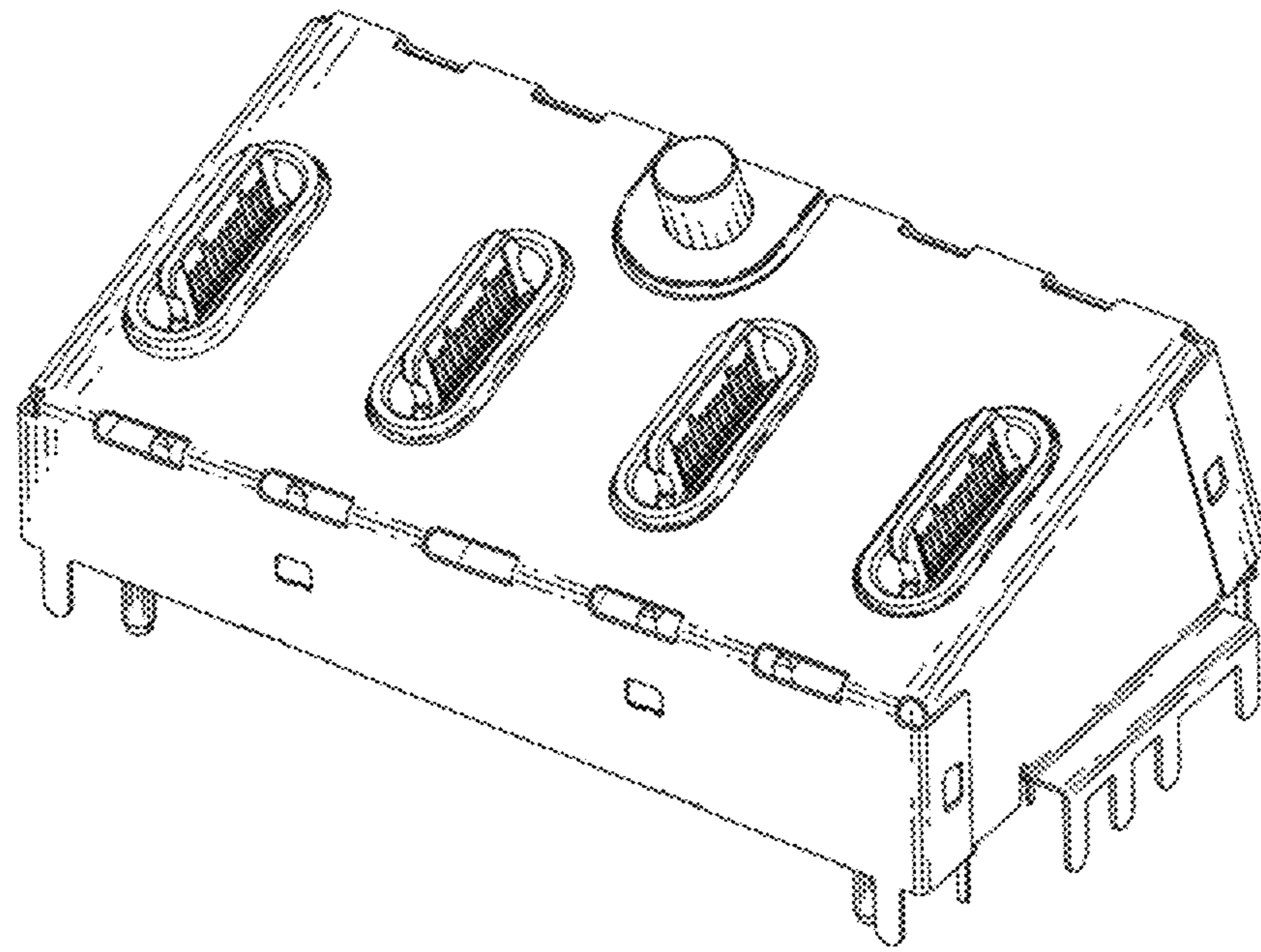


FIG. 1

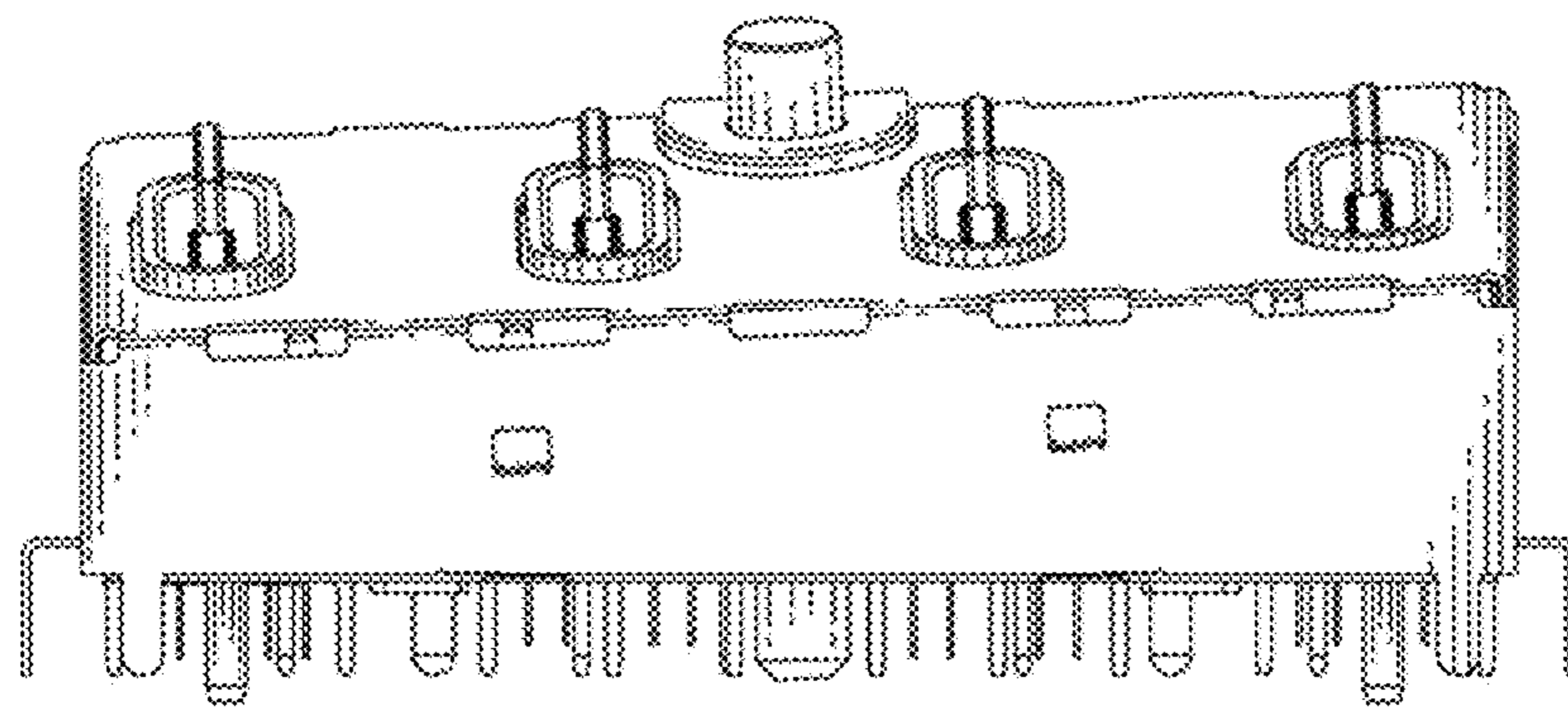


FIG. 2

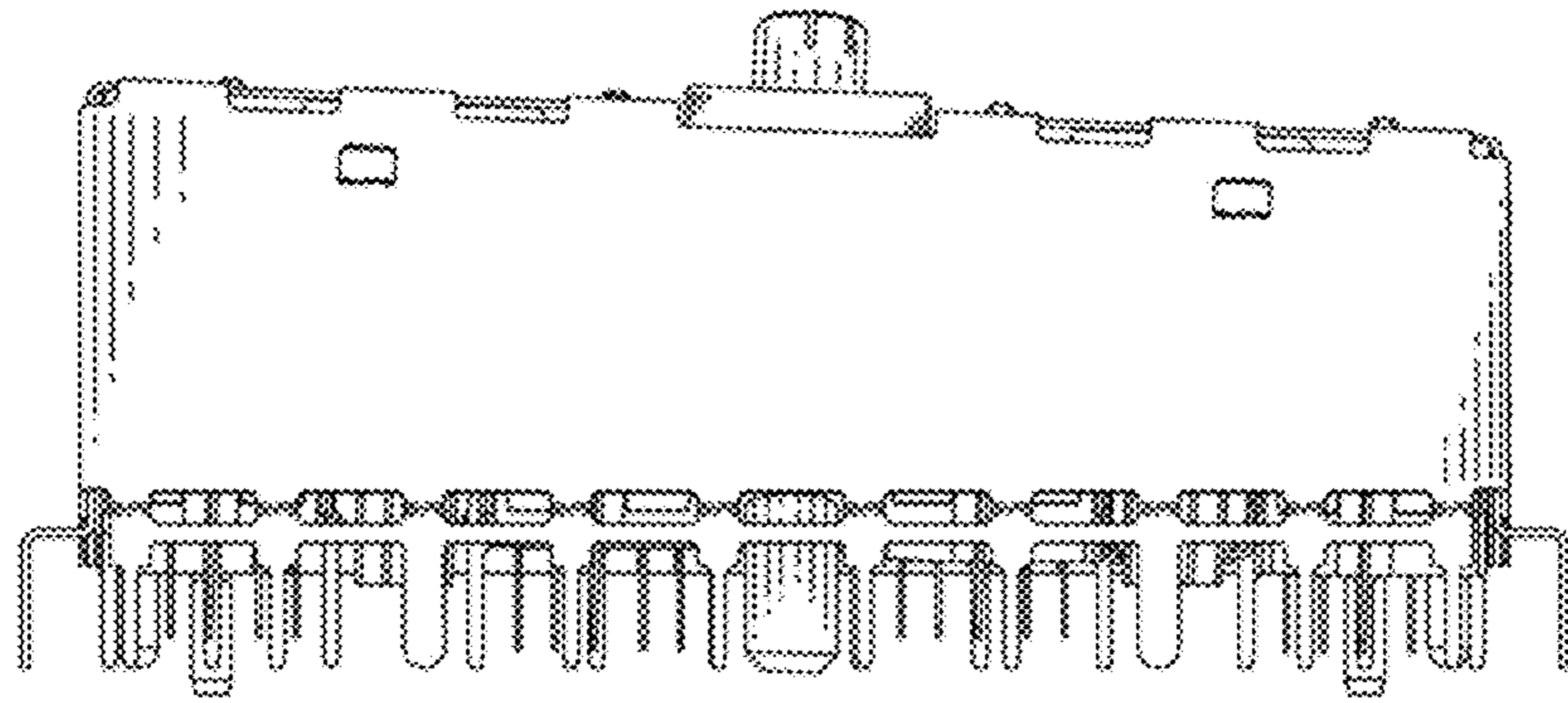


FIG. 3

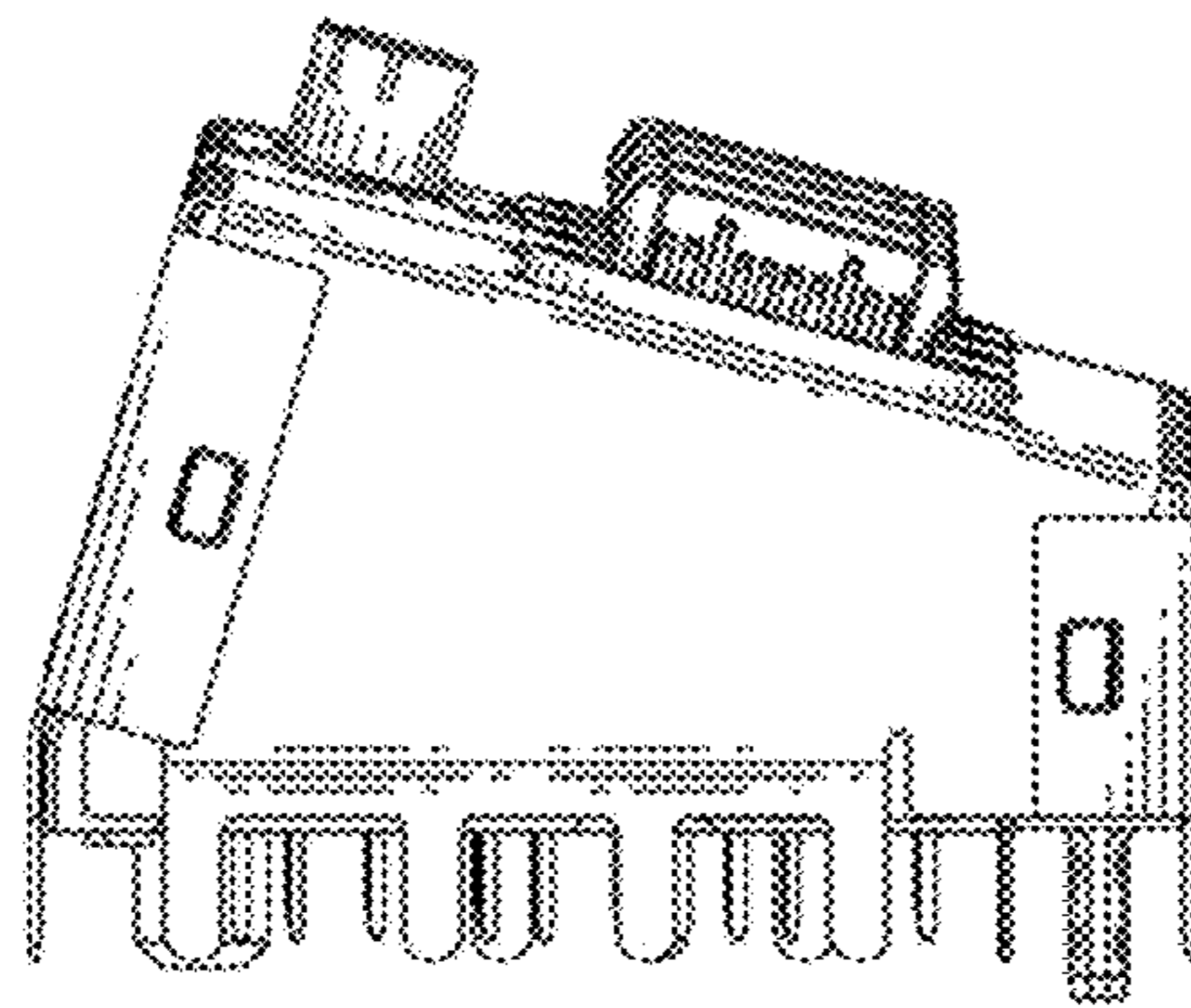


FIG. 4

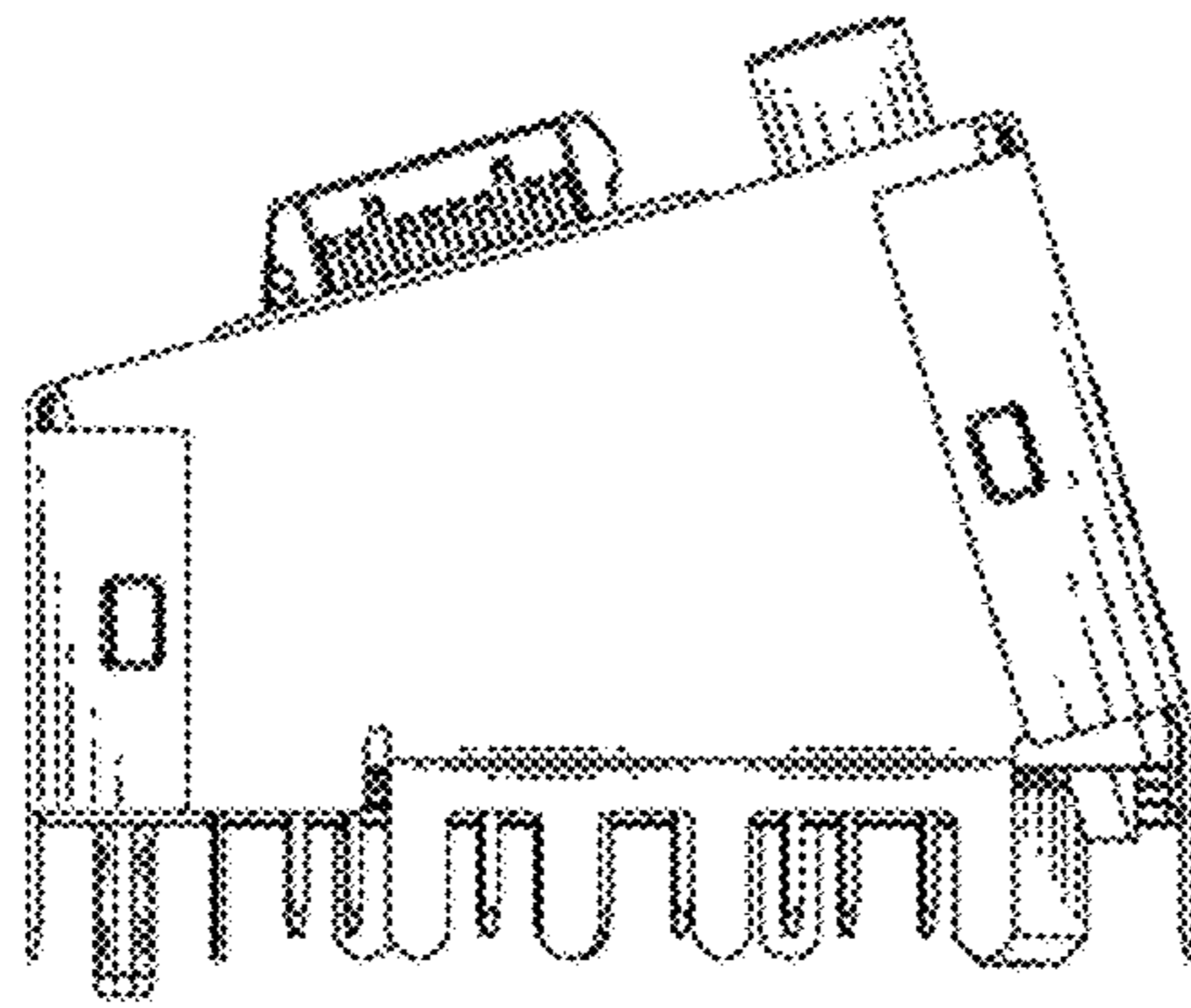


FIG. 5

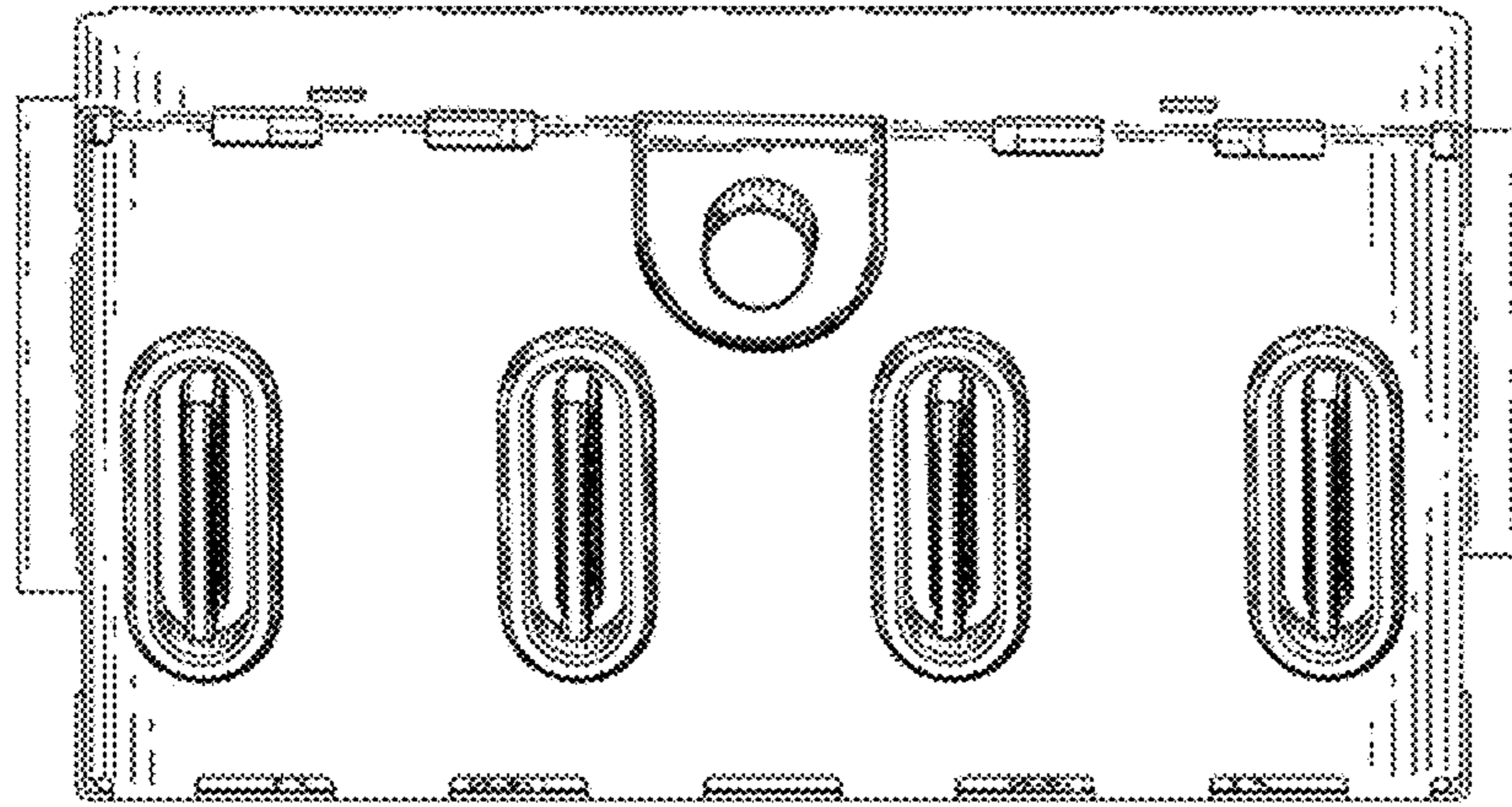


FIG. 6

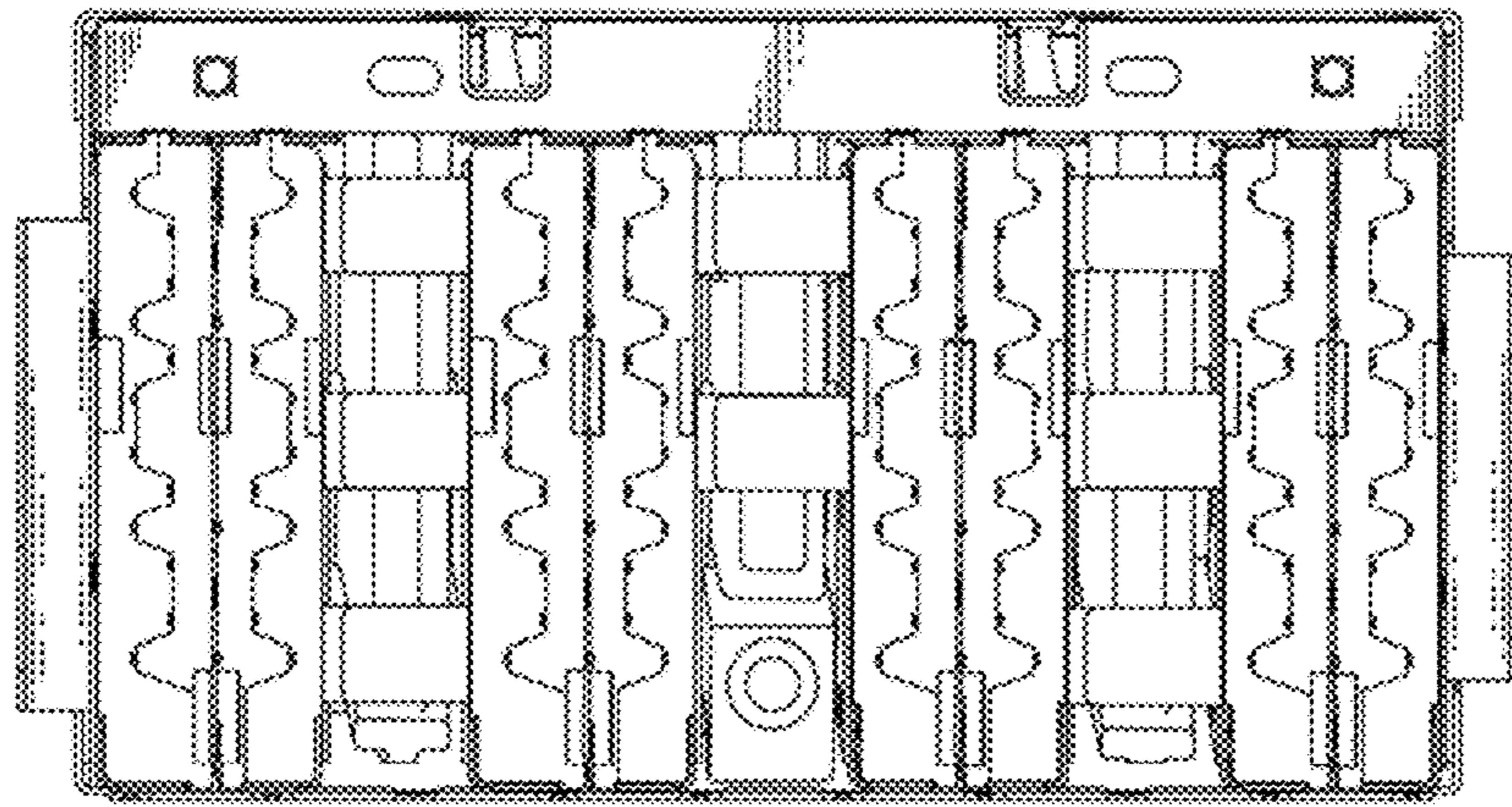


FIG. 7

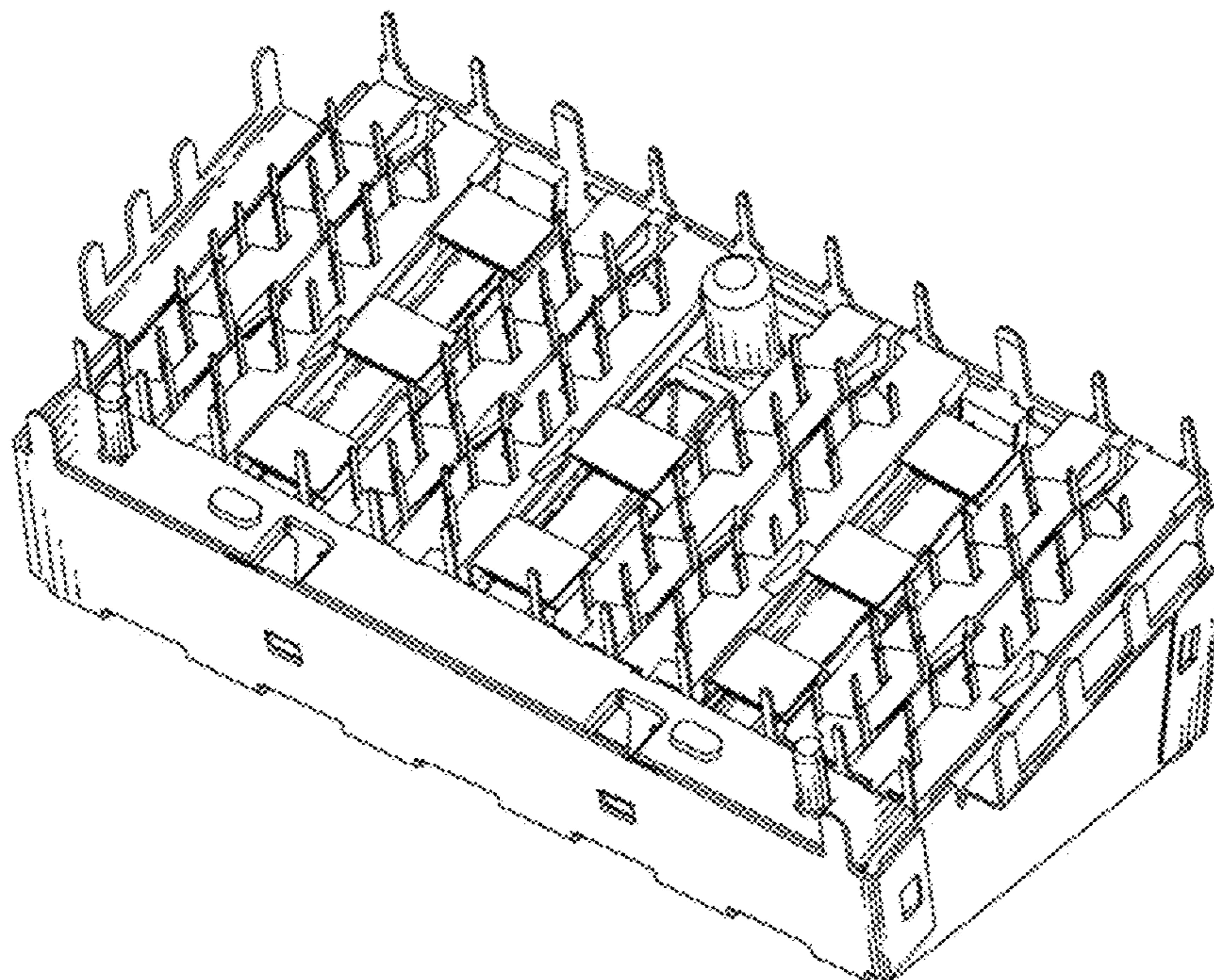


FIG. 8