



US00D823809S

(12) **United States Design Patent**
Zhu et al.

(10) **Patent No.:** **US D823,809 S**
(45) **Date of Patent:** **** Jul. 24, 2018**

(54) **ELECTRICAL CONNECTOR**

- (71) Applicant: **Cheng Uei Precision Industry Co., Ltd.**, New Taipei (TW)
- (72) Inventors: **Feng Zhu**, Dong-Guan (CN); **Dao Rui Sun**, Dong-Guan (CN); **Bo Lei**, Dong-Guan (CN)
- (73) Assignee: **CHENG UEI PRECISION INDUSTRY CO., LTD.**, New Taipei (TW)
- (**) Term: **15 Years**
- (21) Appl. No.: **29/612,195**
- (22) Filed: **Jul. 29, 2017**
- (51) **LOC (11) Cl.** **13-03**
- (52) **U.S. Cl.**
USPC **D13/147**
- (58) **Field of Classification Search**
USPC D13/123, 133, 146, 147, 154, 184, 199
CPC H01R 12/00; H01R 12/50; H01R 12/71; H01R 12/712; H01R 13/516; H01R 23/70; H01R 12/51; H01R 12/52; H01R 12/57; H01R 12/592; H01R 12/61; H01R 12/63; H01R 12/7005; H01R 12/716; H01R 12/72; H01R 13/585; H01R 13/6271; H01R 13/635; H01R 13/6587; H01R 13/6588; H01R 13/659; H01R 13/6594; H01R 13/66

See application file for complete search history.

(56) **References Cited**

U.S. PATENT DOCUMENTS

8,052,473 B2 *	11/2011	Chiang	H01R 9/03 439/607.41
D689,858 S *	9/2013	Lo	D14/357
D750,083 S *	2/2016	Chow	D14/434
9,653,828 B1 *	5/2017	Yu	H01R 12/714
D813,875 S *	3/2018	Liao	D14/434

* cited by examiner

Primary Examiner — Daniel Bui

(74) *Attorney, Agent, or Firm* — Cheng-Ju Chiang

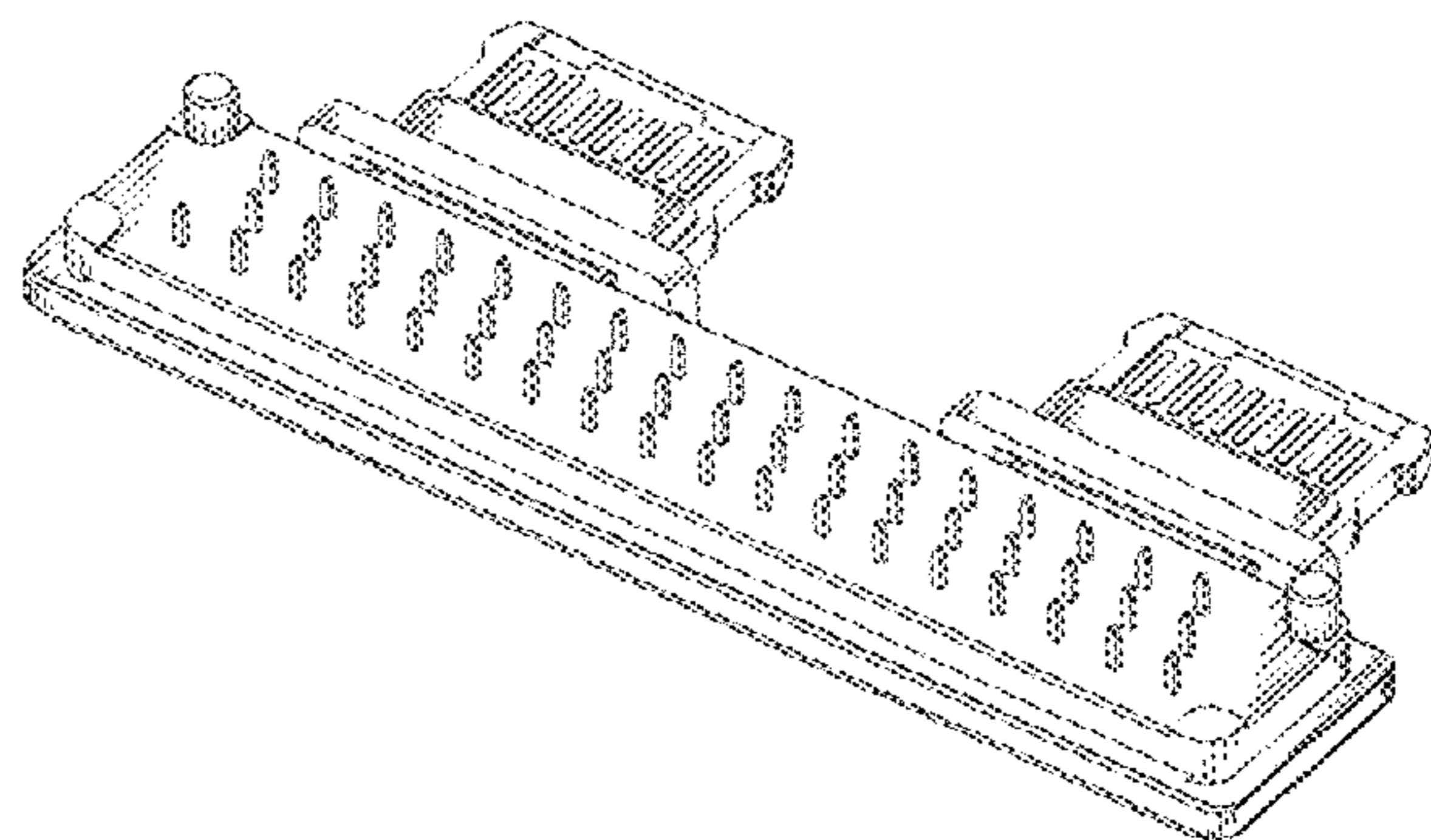
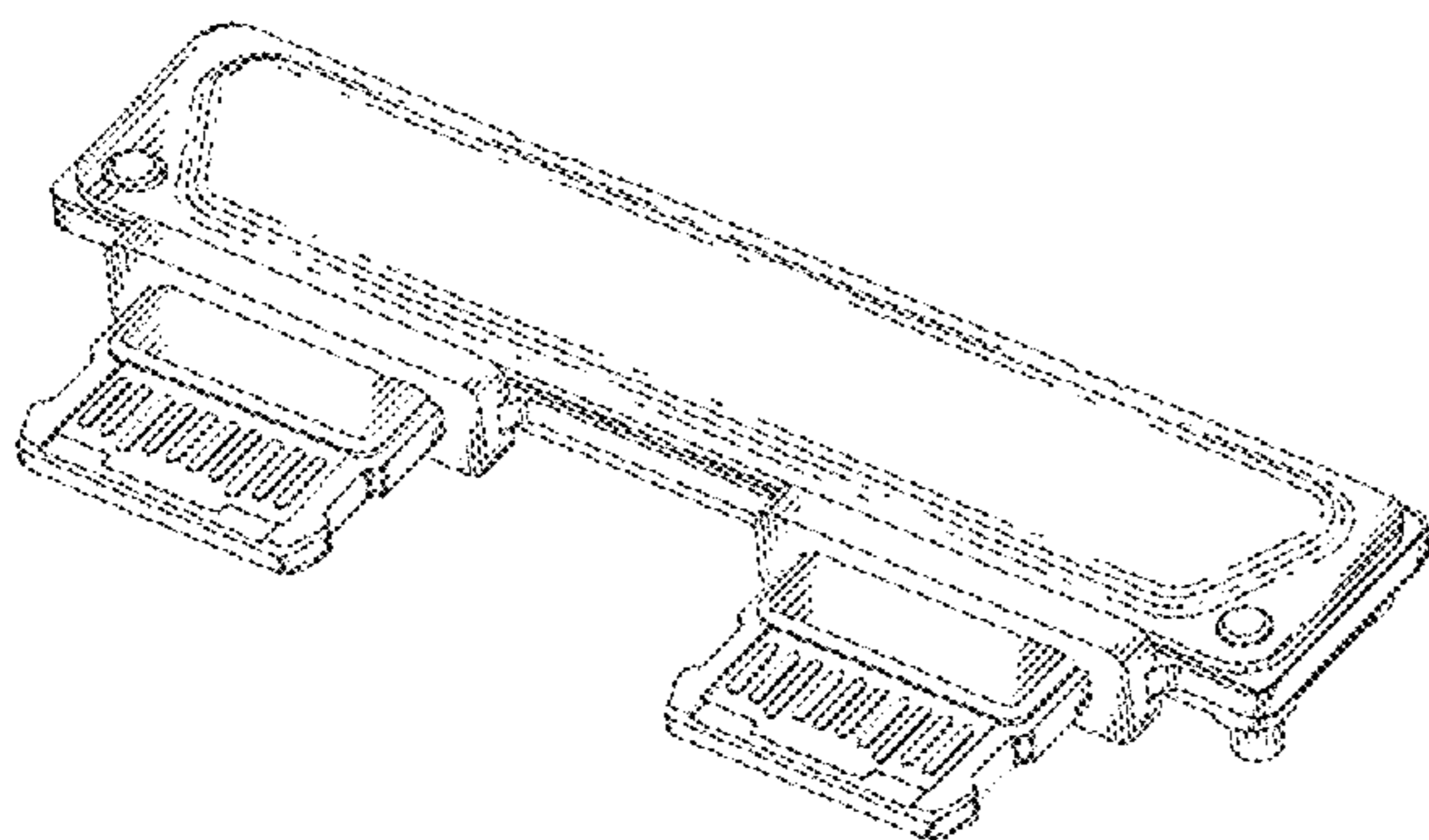
(57) **CLAIM**

The ornamental design for an electrical connector, as shown and described.

DESCRIPTION

FIG. 1 is a perspective view of an electrical connector showing our new design;
 FIG. 2 is a front elevational view thereof;
 FIG. 3 is a rear elevational view thereof;
 FIG. 4 is a left side elevational view thereof;
 FIG. 5 is a right side elevational view thereof;
 FIG. 6 is a top plan view thereof;
 FIG. 7 is a bottom plan view thereof; and,
 FIG. 8 is another perspective view of the electrical connector showing our new design.

1 Claim, 8 Drawing Sheets



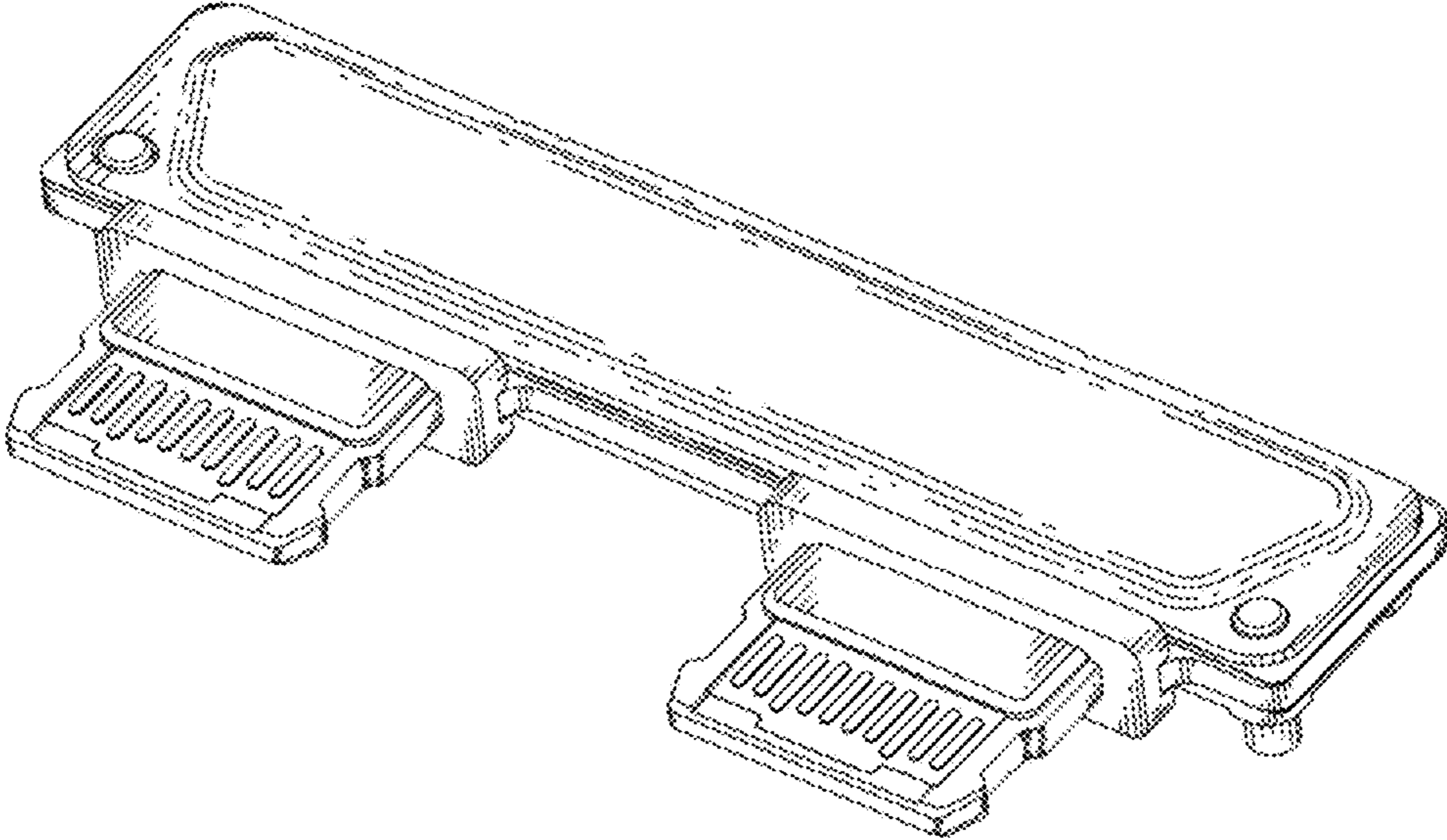


FIG. 1

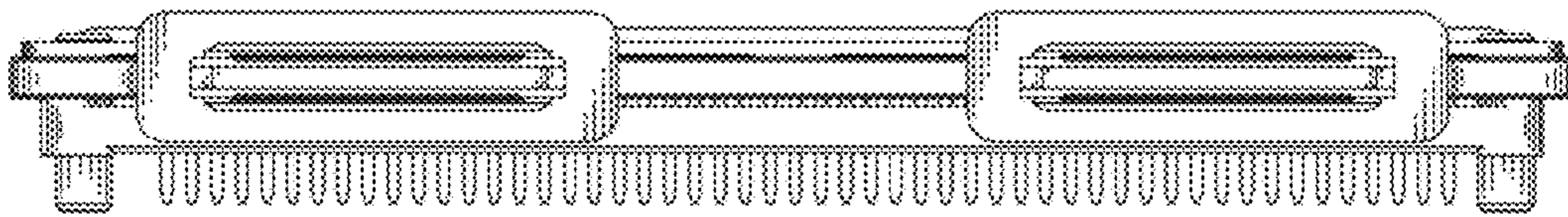


FIG. 2

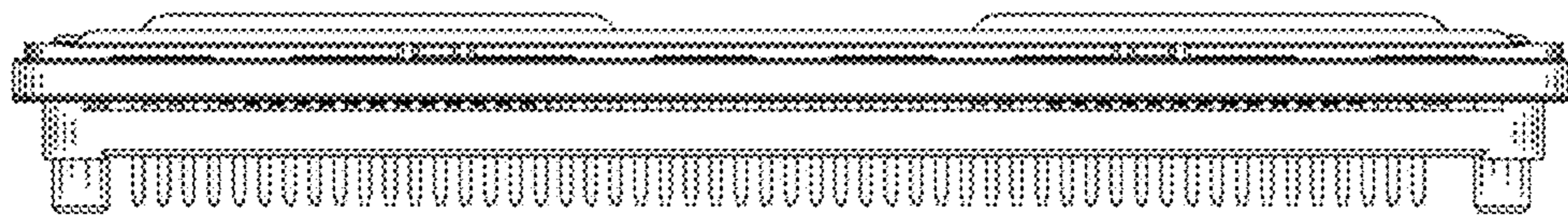


FIG. 3

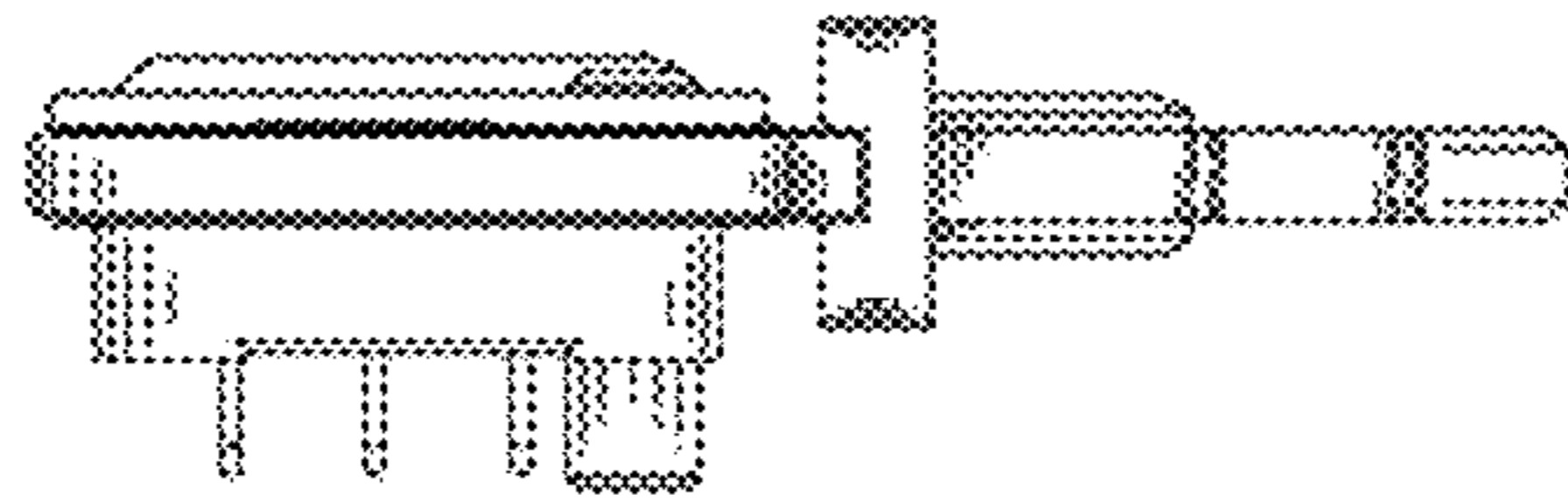


FIG. 4

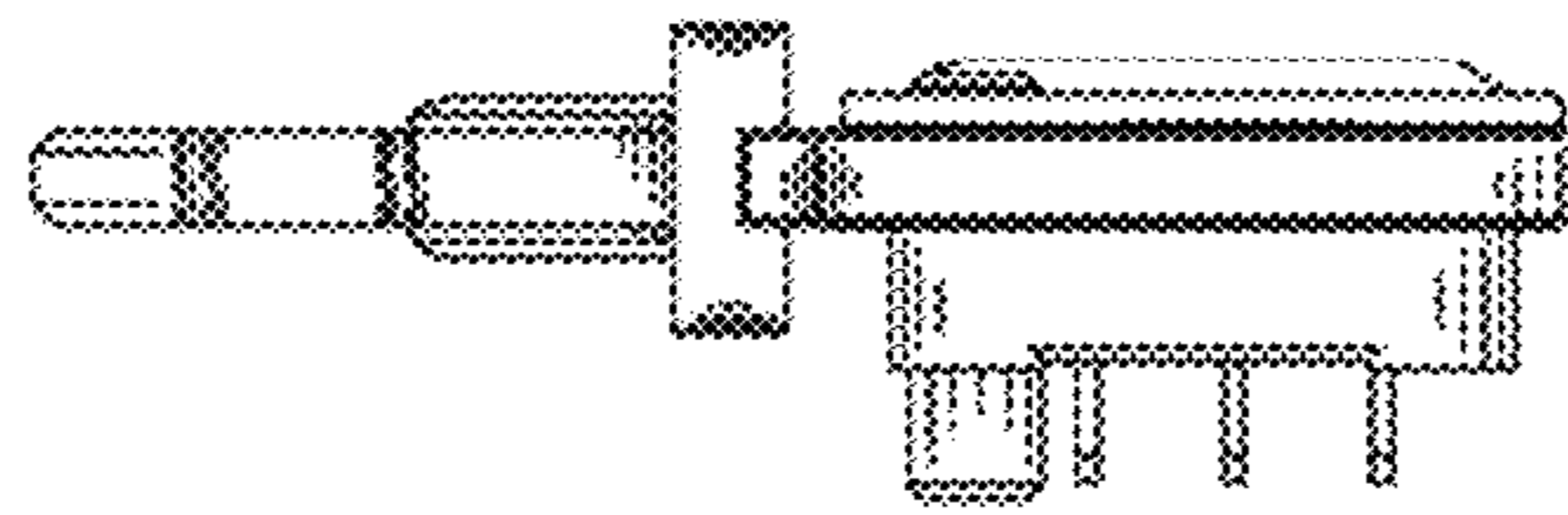


FIG. 5

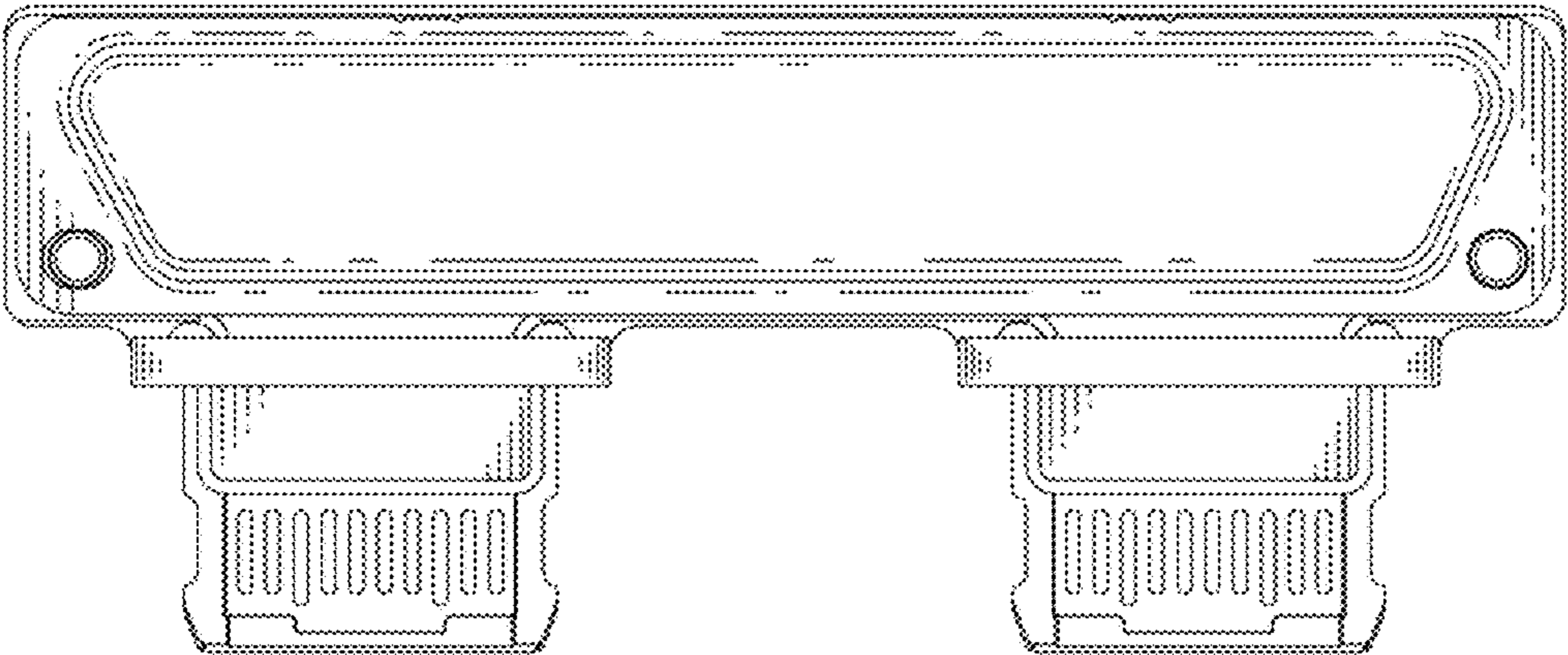


FIG. 6

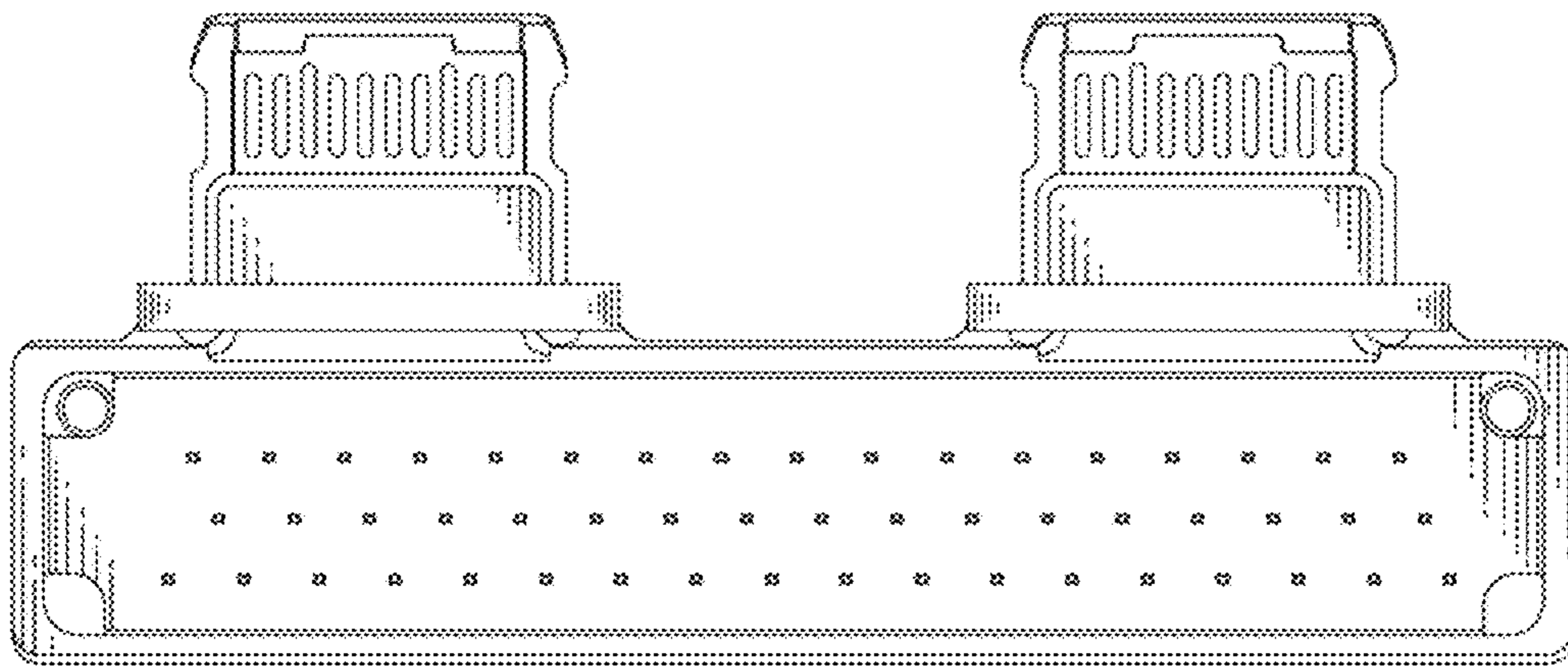


FIG. 7

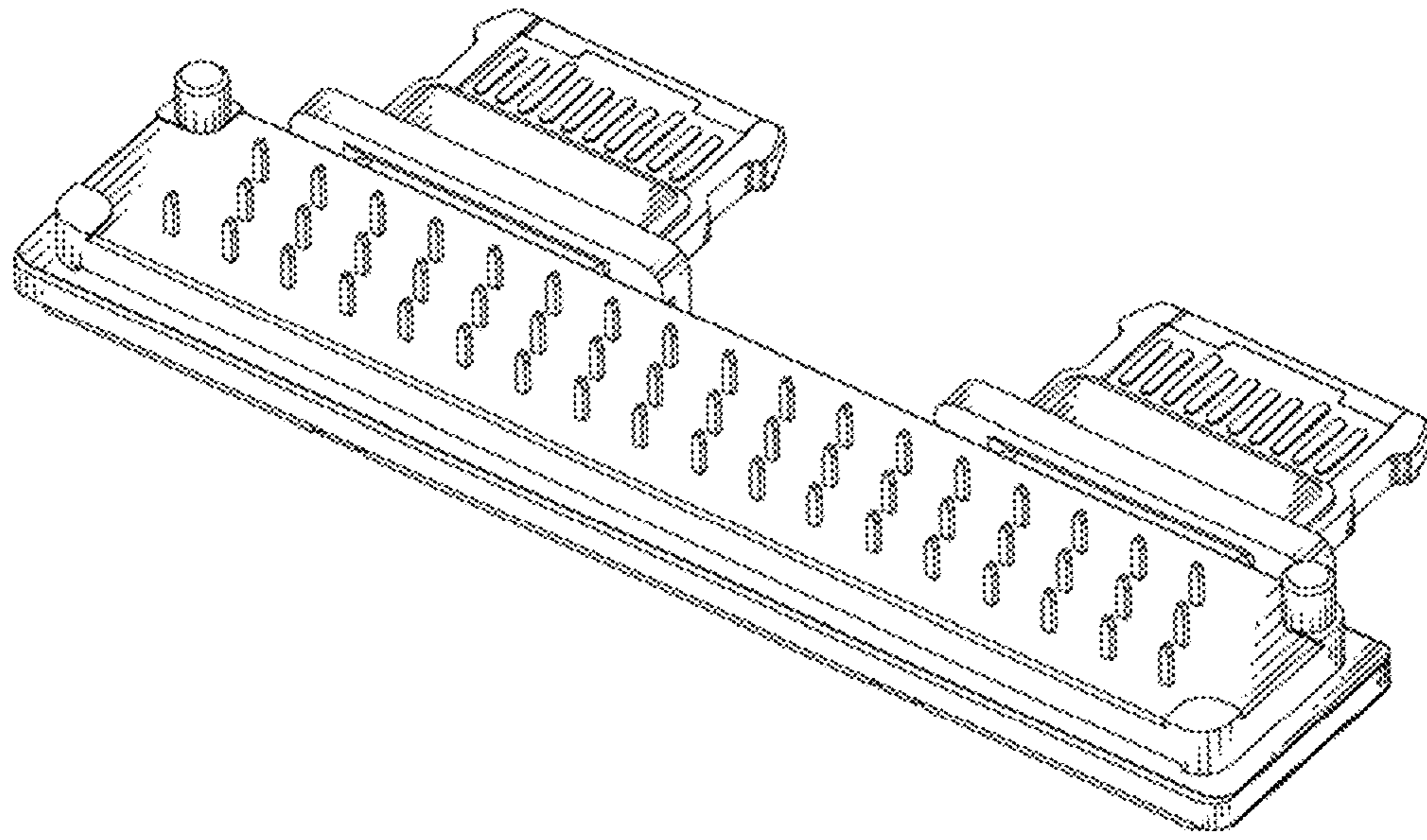


FIG. 8