



US00D823808S

(12) **United States Design Patent**
Yu et al.

(10) **Patent No.:** **US D823,808 S**
(45) **Date of Patent:** **** Jul. 24, 2018**

(54) **ELECTRICAL CONNECTOR**

(71) Applicant: **Cheng Uei Precision Industry Co., Ltd.**, New Taipei (TW)

(72) Inventors: **Xi Yu**, Dong-Guan (CN); **Bo Liu**, Dong-Guan (CN)

(73) Assignee: **CHENG UEI PRECISION INDUSTRY CO., LTD.**, New Taipei (TW)

(**) Term: **15 Years**

(21) Appl. No.: **29/576,690**

(22) Filed: **Sep. 6, 2016**

(51) **LOC (11) Cl.** **13-03**

(52) **U.S. Cl.**
USPC **D13/147**

(58) **Field of Classification Search**
USPC D13/123, 133, 146, 147, 154, 184, 199
CPC H01R 12/00; H01R 12/50; H01R 12/71; H01R 12/712; H01R 13/516; H01R 23/70; H01R 12/51; H01R 12/52; H01R 12/57; H01R 12/592; H01R 12/61; H01R 12/63; H01R 12/7005; H01R 12/716; H01R 12/72; H01R 13/585; H01R 13/6271; H01R 13/635; H01R 13/6587; H01R 13/6588; H01R 13/659; H01R 13/6594; H01R 13/66

See application file for complete search history.

(56) **References Cited**

U.S. PATENT DOCUMENTS

8,052,473 B2 *	11/2011	Chiang	H01R 9/03 439/607.41
D689,858 S *	9/2013	Lo	D14/357
D750,083 S *	2/2016	Chow	D14/434
9,653,828 B1 *	5/2017	Yu	H01R 12/714
D813,875 S *	3/2018	Liao	D14/434

* cited by examiner

Primary Examiner — Daniel Bui

(74) *Attorney, Agent, or Firm* — Cheng-Ju Chiang

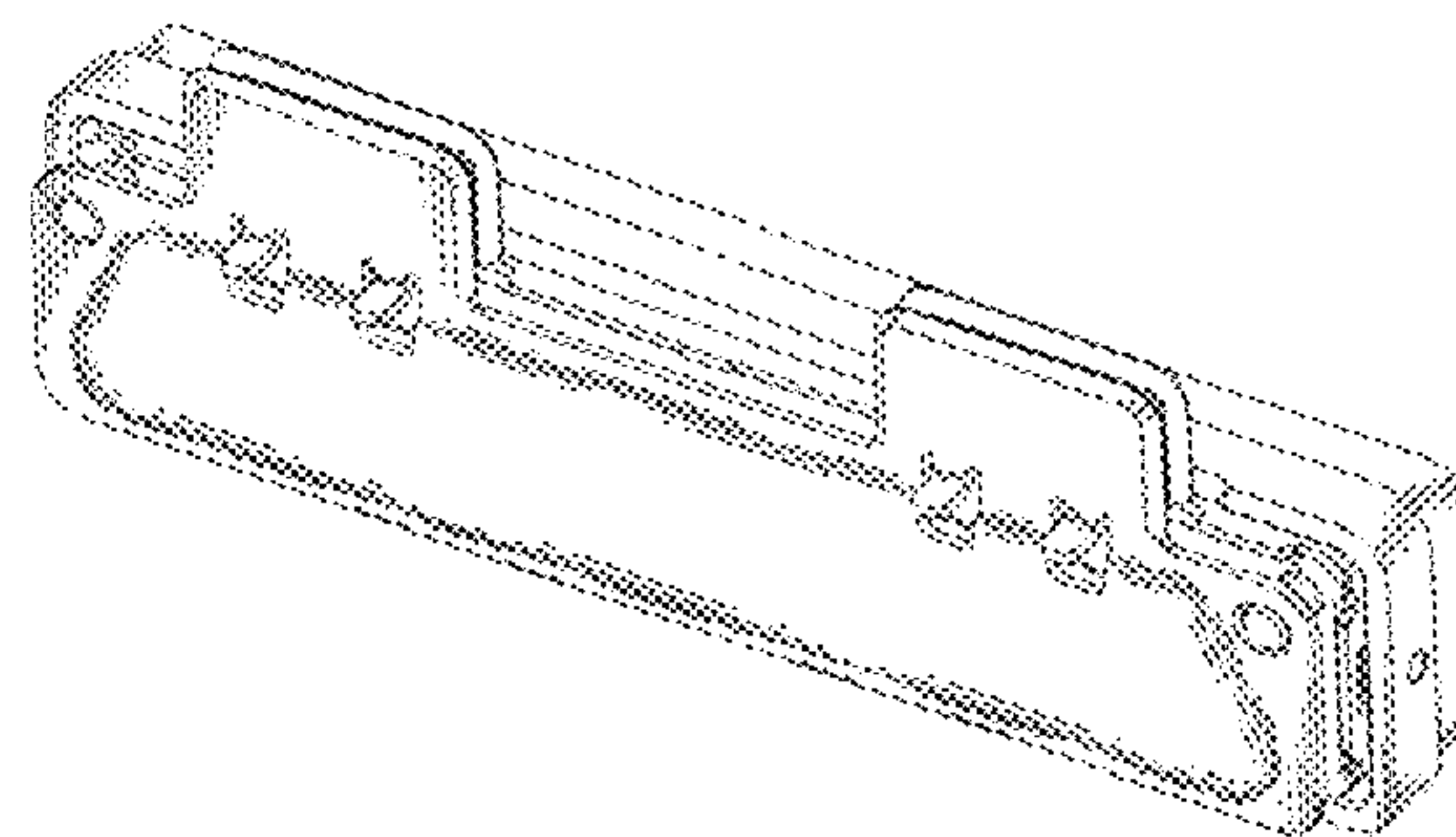
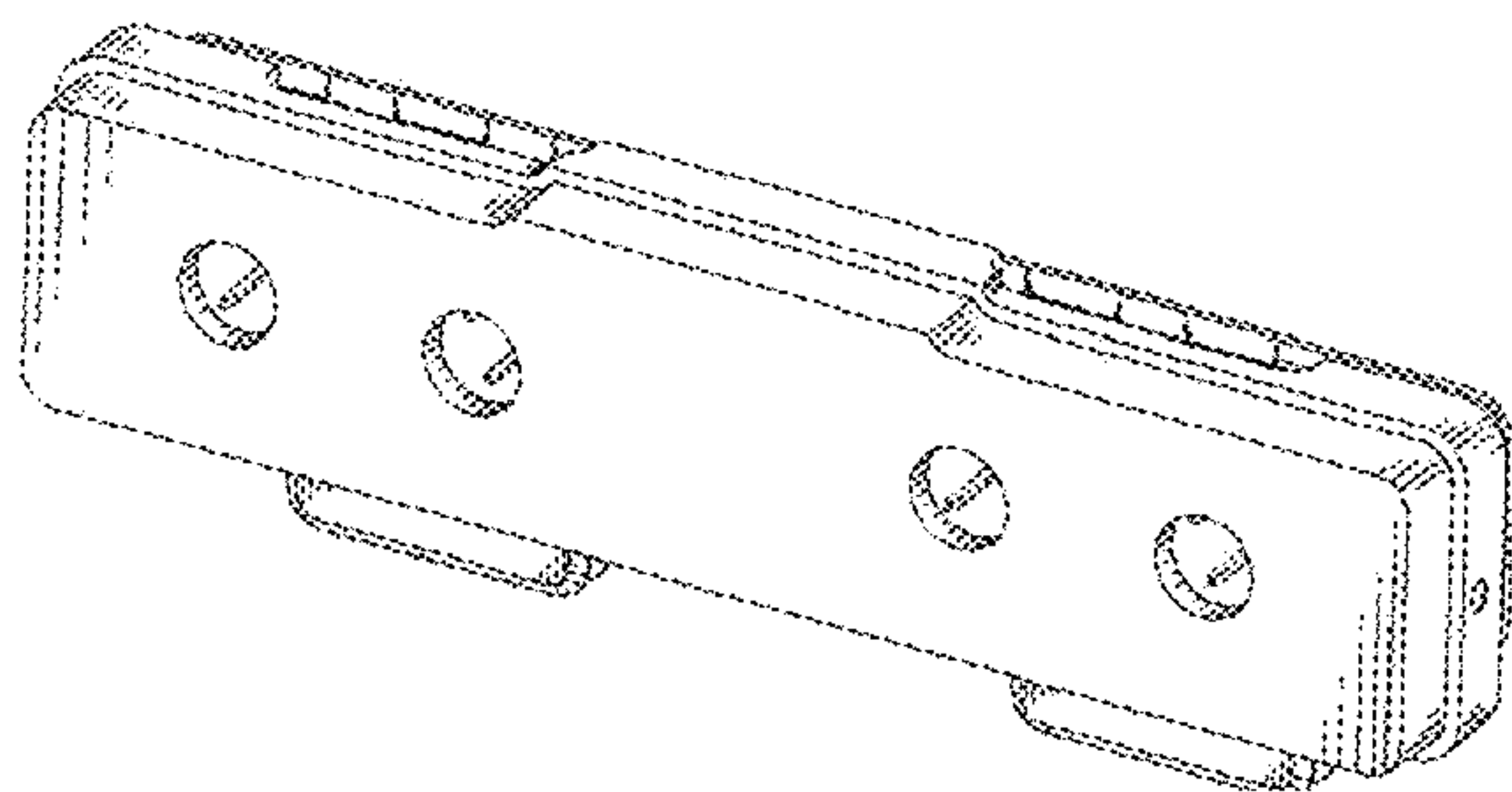
(57) **CLAIM**

The ornamental design for an electrical connector, as shown and described.

DESCRIPTION

FIG. 1 is a perspective view of an electrical connector showing our new design;
FIG. 2 is a front elevational view thereof;
FIG. 3 is a rear elevational view thereof;
FIG. 4 is a left side elevational view thereof;
FIG. 5 is a right side elevational view thereof;
FIG. 6 is a top plan view thereof;
FIG. 7 is a bottom plan view thereof; and,
FIG. 8 is another perspective view of the electrical connector showing our new design.
The broken line portion of the figure drawings is included to show unclaimed subject matter only and forms no part of the claimed design.

1 Claim, 8 Drawing Sheets



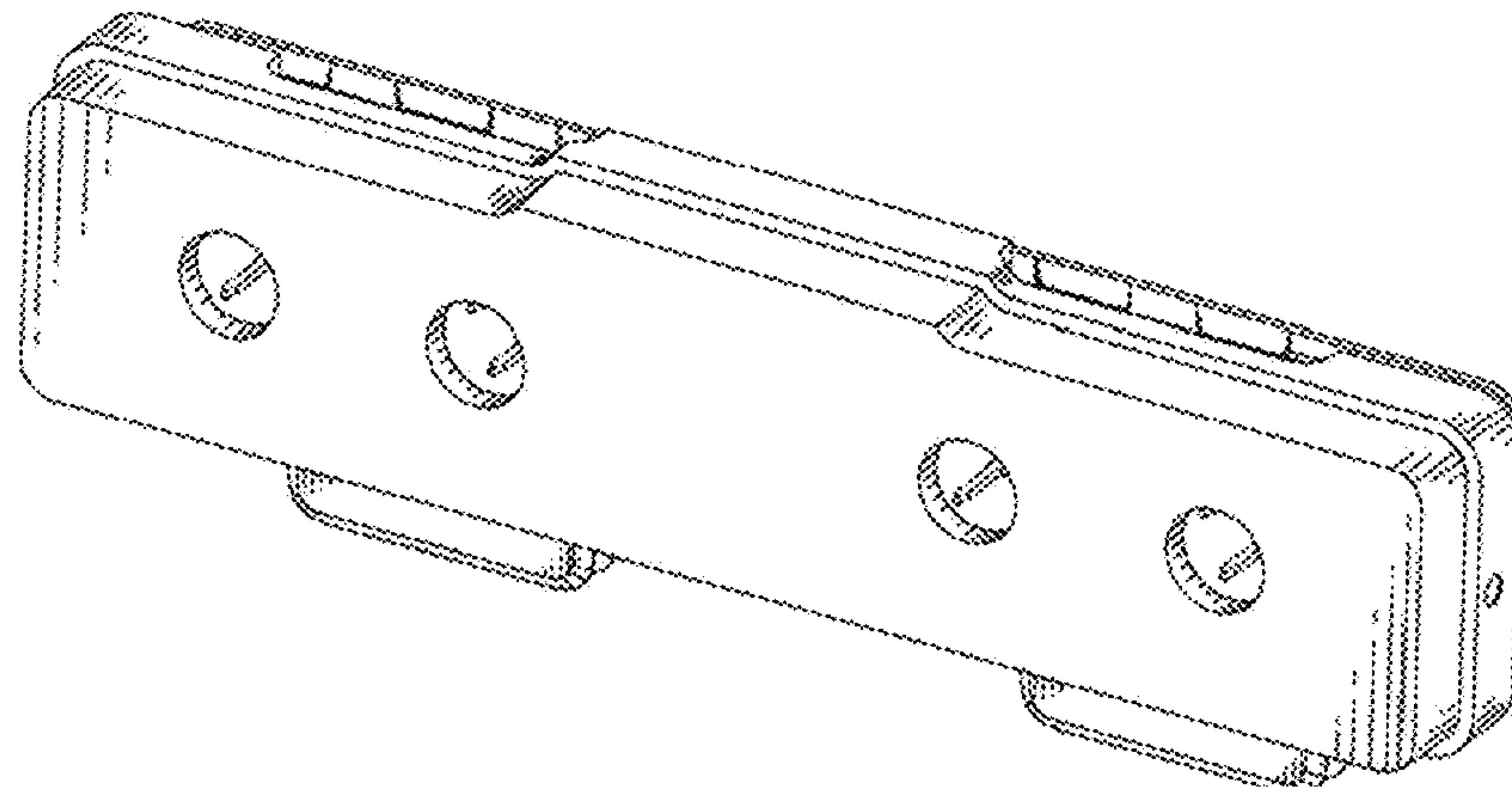


FIG. 1

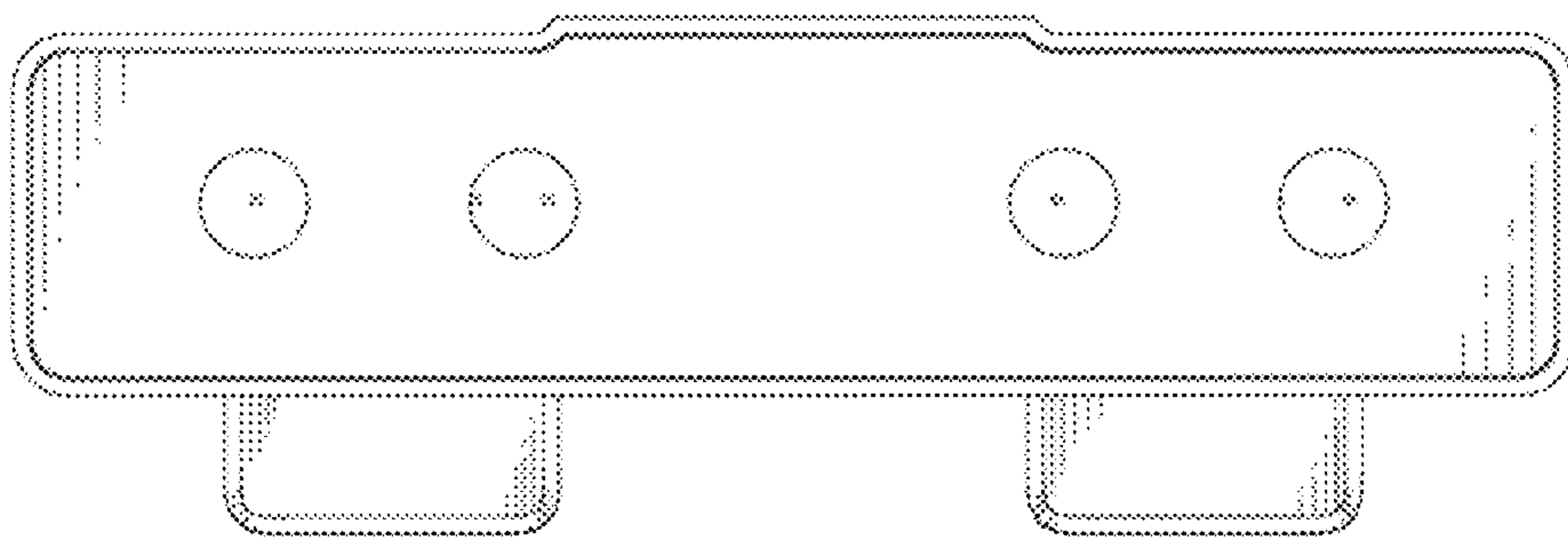


FIG. 2

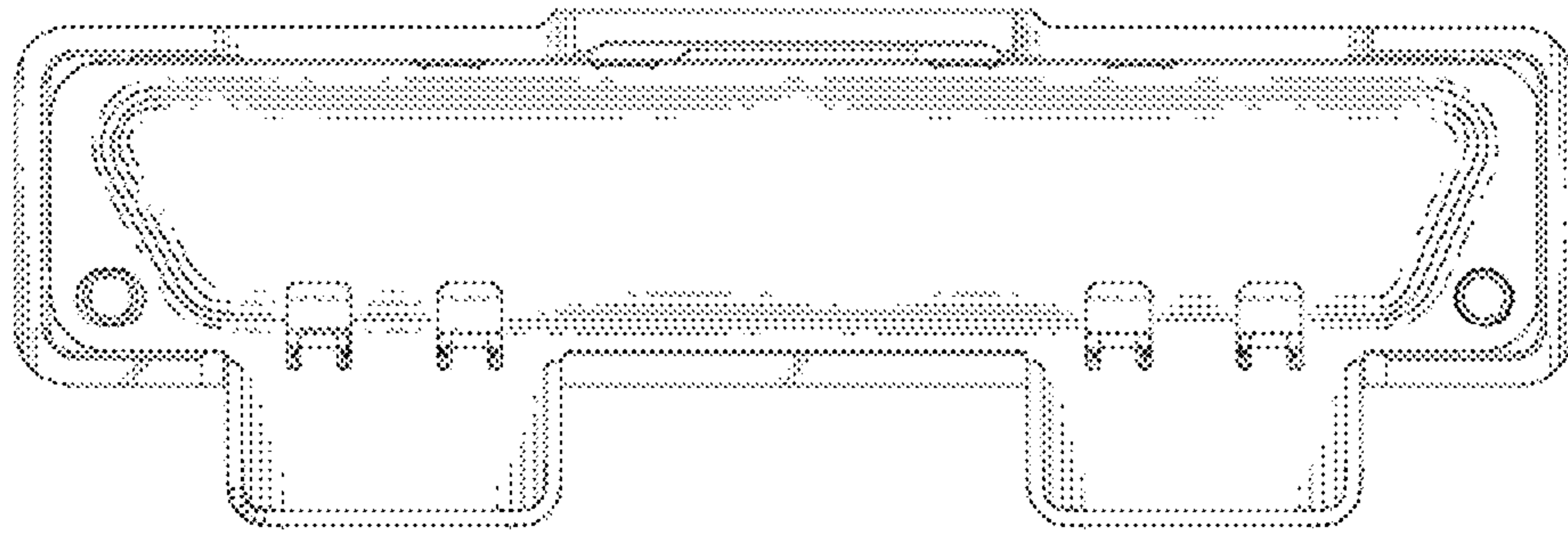


FIG. 3

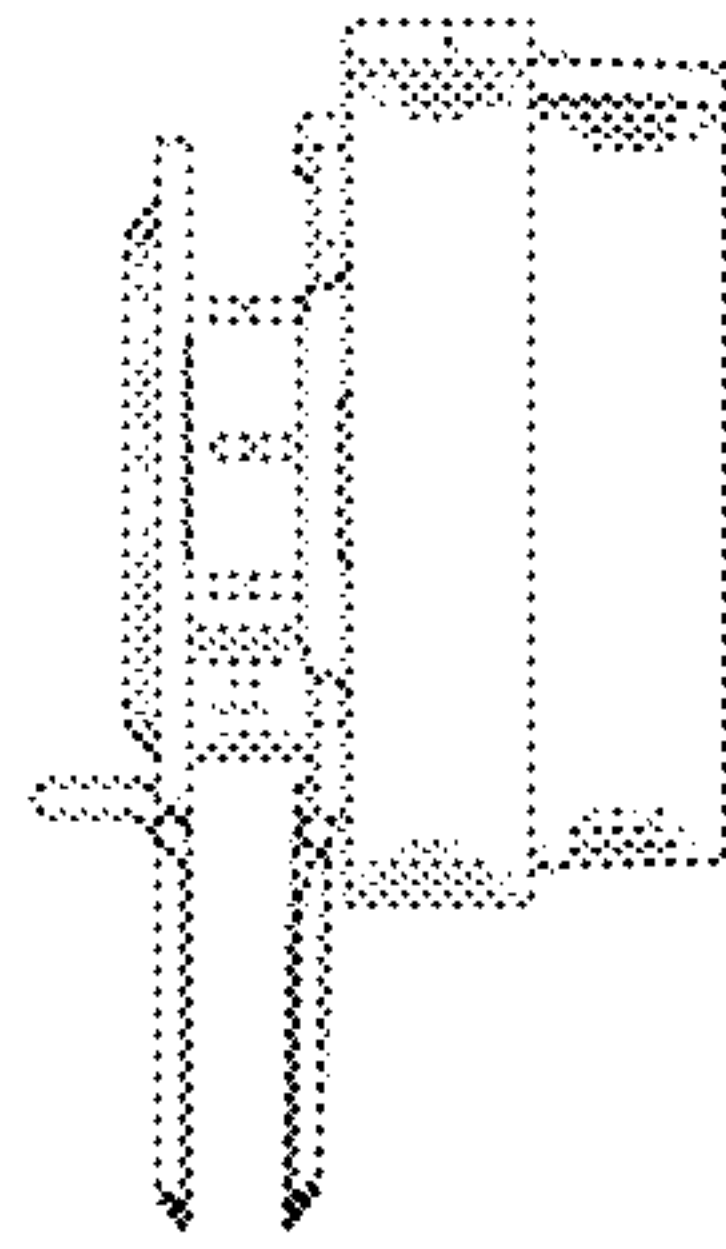


FIG. 4

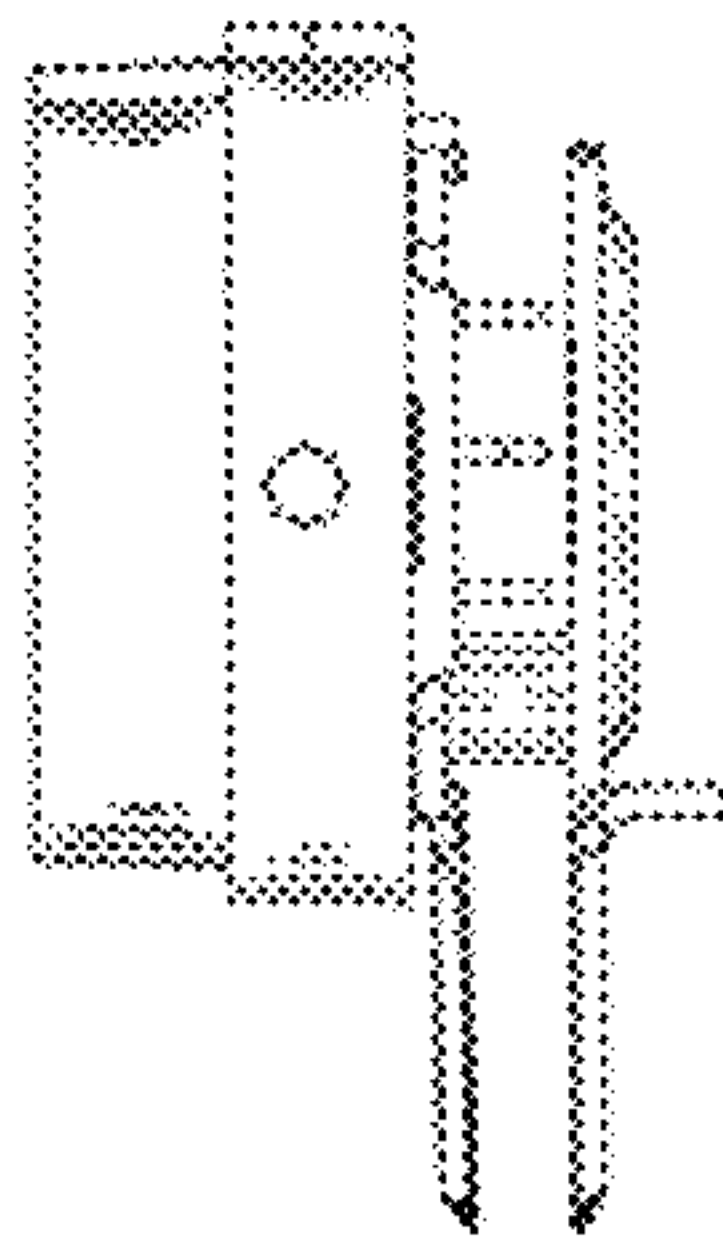


FIG. 5

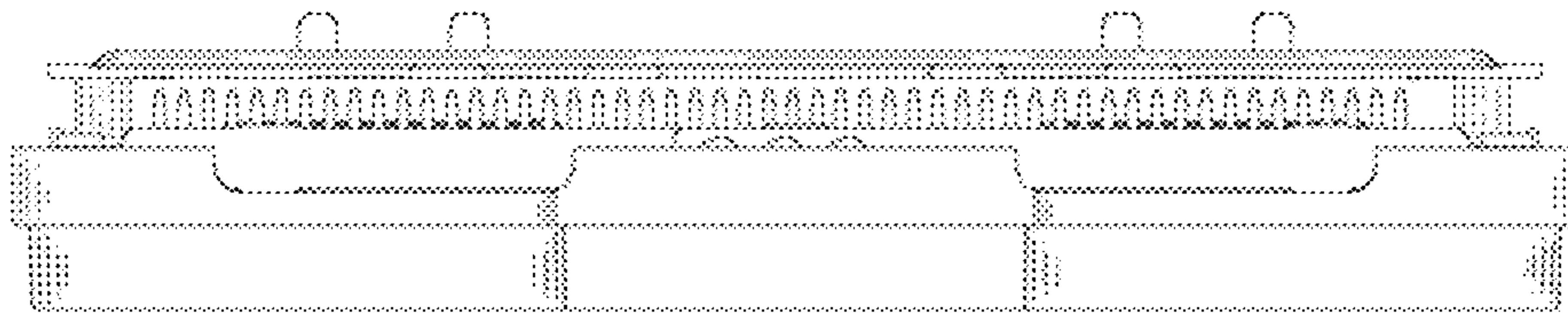


FIG. 6

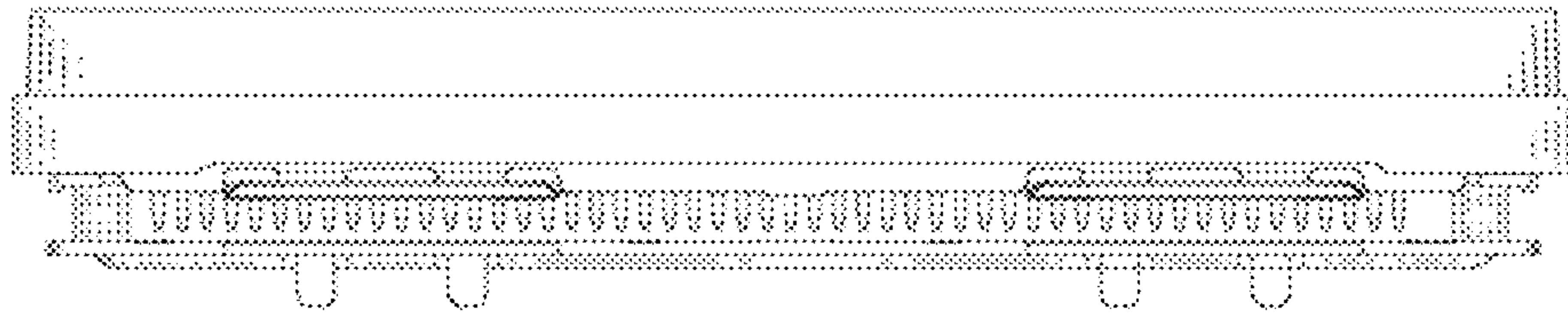


FIG. 7

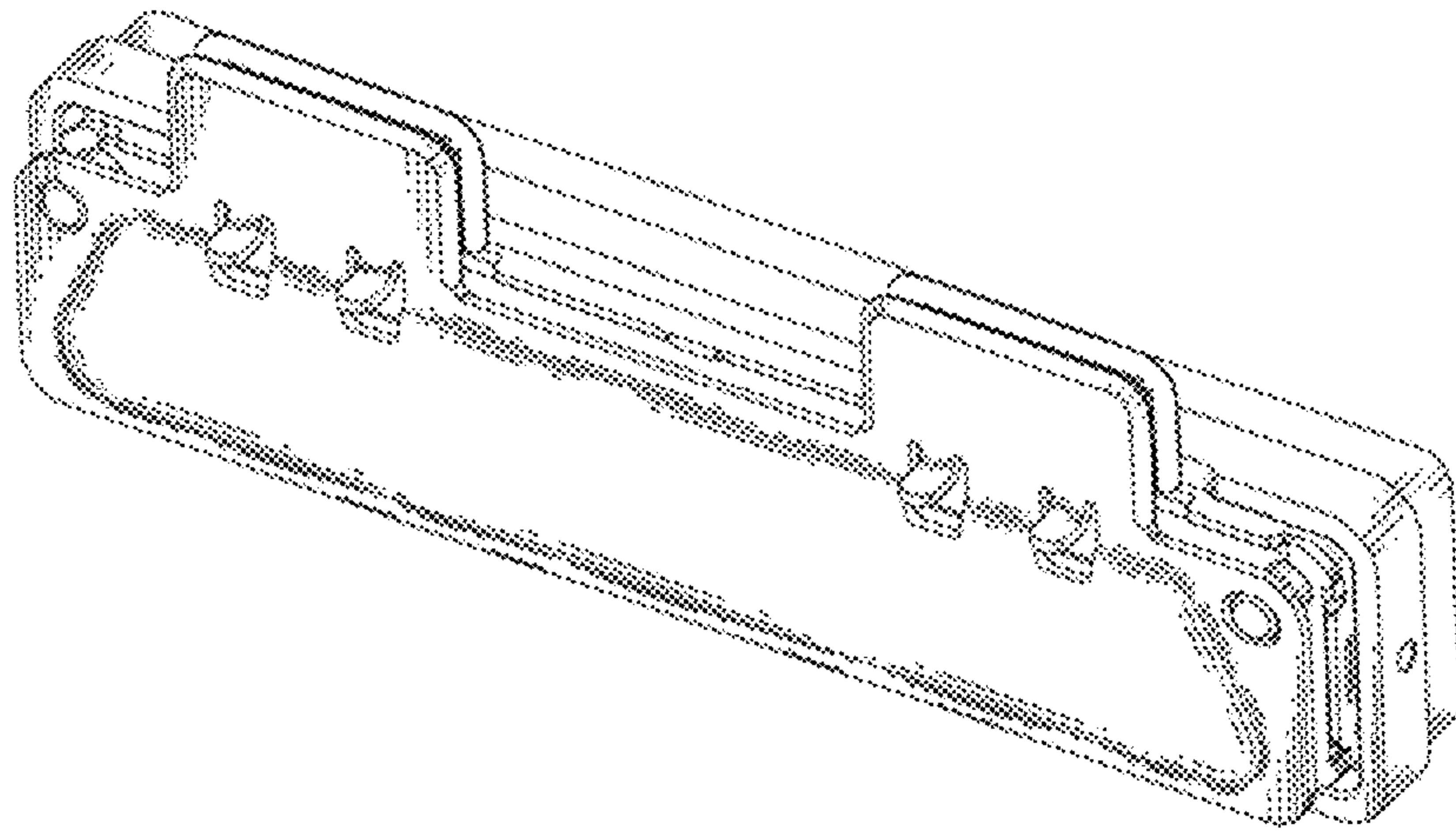


FIG. 8