



US00D823806S

(12) **United States Design Patent**  
**Xu**

(10) **Patent No.:** **US D823,806 S**

(45) **Date of Patent:** **\*\* Jul. 24, 2018**

- (54) **INVERTER FOR VEHICLE**
- (71) Applicant: **Guangdong BESTEK E-commerce Co., Ltd.**, Shenzhen (CN)
- (72) Inventor: **Xinhua Xu**, Shenzhen (CN)
- (73) Assignee: **GUANGDONG BESTEK E-COMMERCE CO., LTD.**, Shenzhen (CN)

6,551,142 B2 \* 4/2003 Eisenbraun ..... H01R 24/58  
439/11  
D482,654 S \* 11/2003 Shor ..... D13/110  
D494,542 S \* 8/2004 Hriscu ..... D13/110  
D526,962 S \* 8/2006 Krieger ..... D13/144  
D551,166 S \* 9/2007 Dayan ..... D13/110  
D551,170 S \* 9/2007 Hussaini ..... D13/144  
D627,720 S \* 11/2010 Dumelle ..... D13/110  
D687,378 S \* 8/2013 Lacovelli ..... D13/110  
D810,018 S \* 2/2018 Ceravalo ..... D13/110

- (\*\*) Term: **15 Years**
- (21) Appl. No.: **29/575,986**
- (22) Filed: **Aug. 30, 2016**
- (51) **LOC (11) Cl.** ..... **13-03**
- (52) **U.S. Cl.**  
USPC ..... **D13/144**
- (58) **Field of Classification Search**  
USPC ..... D13/144, 107, 110, 118, 119, 120, 133,  
D13/154, 184, 199; D14/155, 217, 433;  
320/65, 107, 108, 109; 363/13, 146;  
439/300, 620, 638, 668, 669, 675, 825  
CPC ..... H01R 24/58; H01R 2201/26; B60N 3/14;  
B60R 2011/005  
See application file for complete search history.

**OTHER PUBLICATIONS**

Amazon.com: BESTEK 150W Power Inverter Car Charger with 2 USB Charging Ports. <https://www.amazon.com/BESTEK-Inverter-Charger-Charging-Shared/dp/B003SGJIRO>. Date: May 27, 2010. Date accessed: Apr. 11, 2018.\*

\* cited by examiner

*Primary Examiner* — Derrick Holland  
*Assistant Examiner* — Jennifer O King

(57) **CLAIM**

The ornamental design for an inverter for vehicle, as shown and described.

**DESCRIPTION**

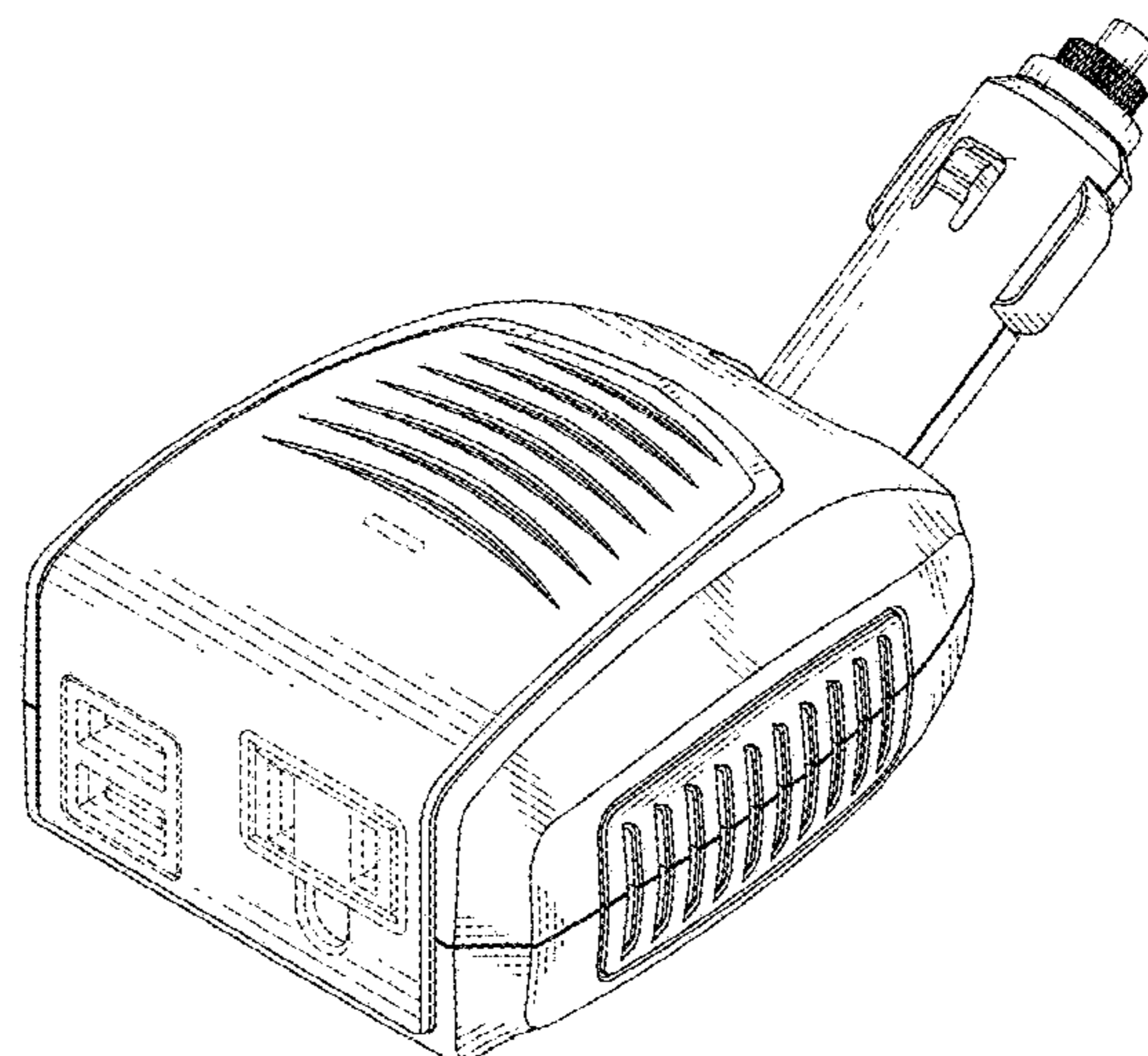
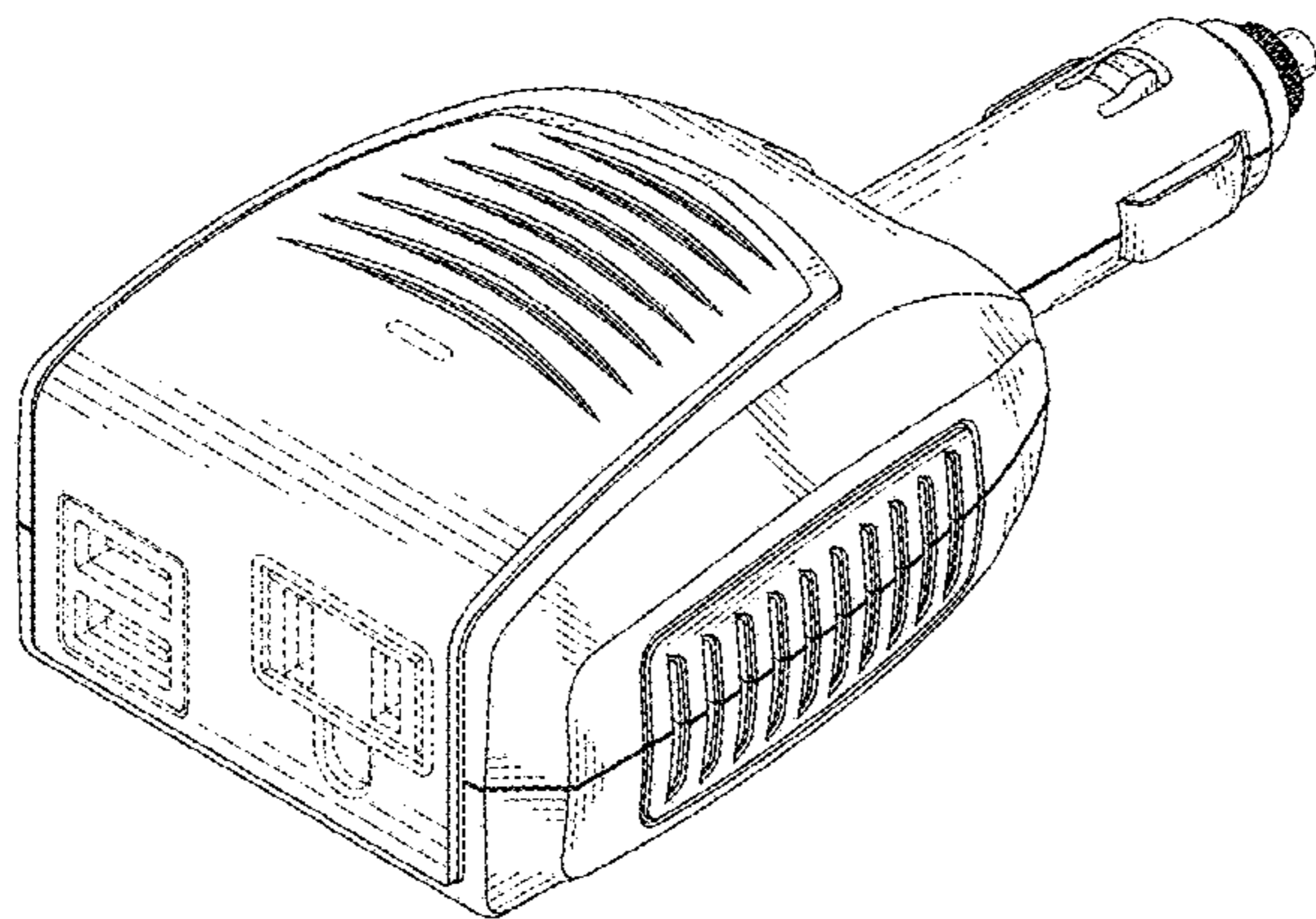
FIG. 1 is a perspective view of an inverter for vehicle showing my new design in a first state; FIG. 2 is a front elevational view thereof; FIG. 3 is a rear elevational view thereof; FIG. 4 is a left side elevational view thereof; FIG. 5 is a right side elevational view thereof; FIG. 6 is a top plan view thereof; FIG. 7 is a bottom plan view thereof; and, FIG. 8 is a perspective view thereof, shown in a second state. The broken lines shown illustrate portions of the inverter for vehicle that form no part of the claimed design.

(56) **References Cited**

**U.S. PATENT DOCUMENTS**

D330,885 S \* 11/1992 Tattari ..... D13/108  
D341,123 S \* 11/1993 Hakanen ..... D13/108  
D345,960 S \* 4/1994 Boyd ..... D13/144  
D400,176 S \* 10/1998 Jones ..... D13/144  
D400,177 S \* 10/1998 Jones ..... D13/144  
5,829,993 A \* 11/1998 Wu ..... H01R 27/00  
439/131  
6,478,628 B1 \* 11/2002 Ming ..... B60N 3/14  
439/640

**1 Claim, 8 Drawing Sheets**



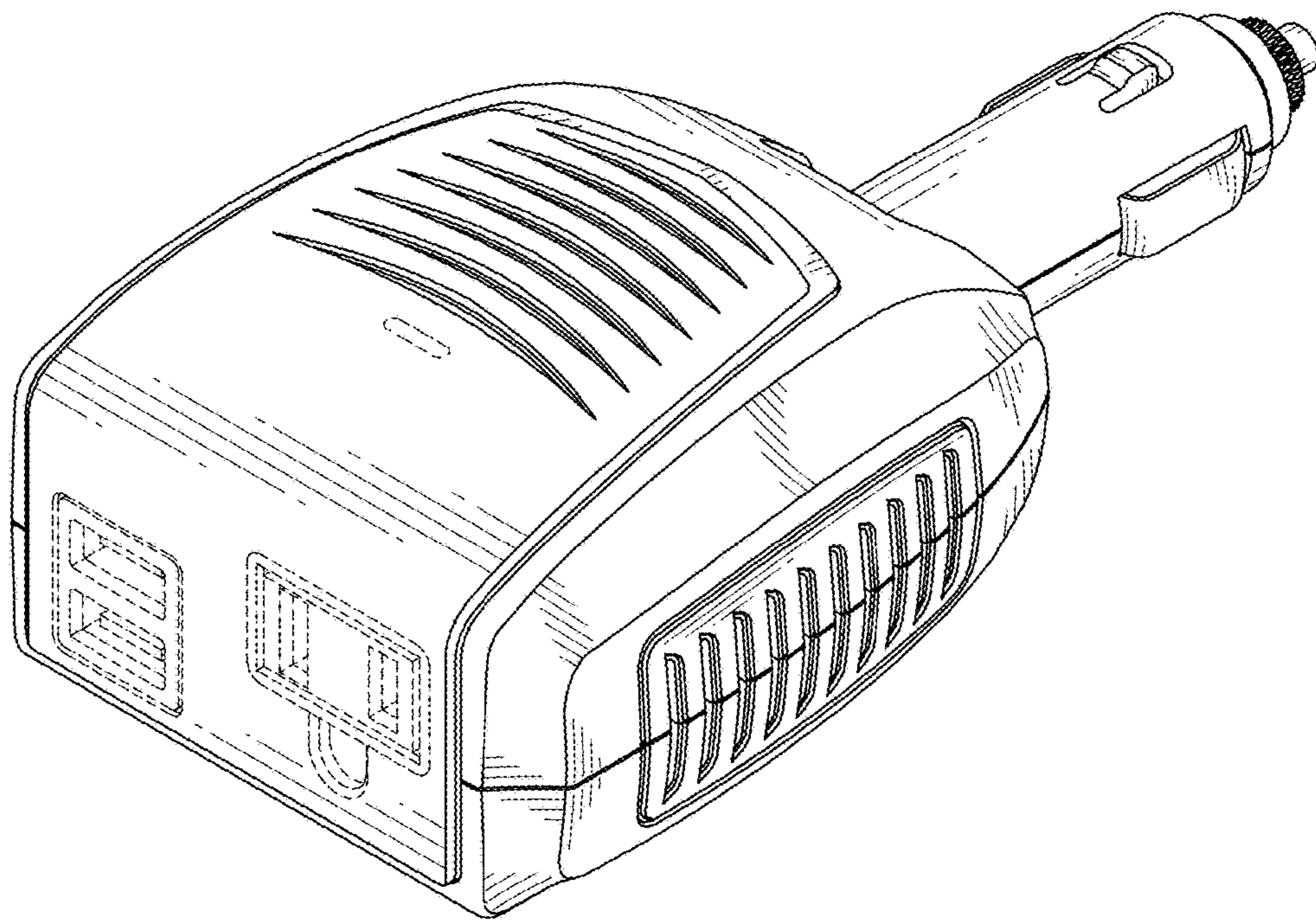


FIG. 1

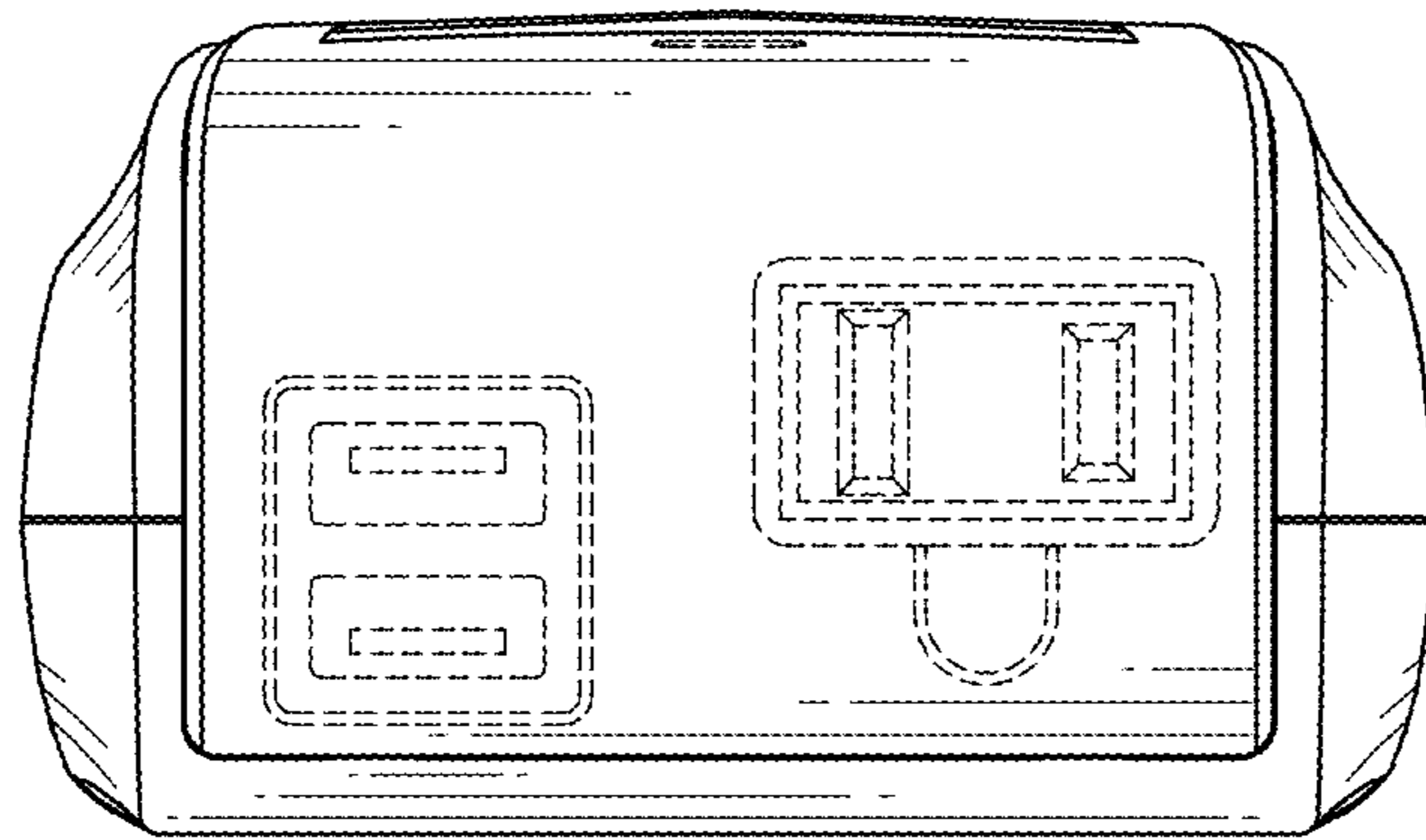


FIG. 2

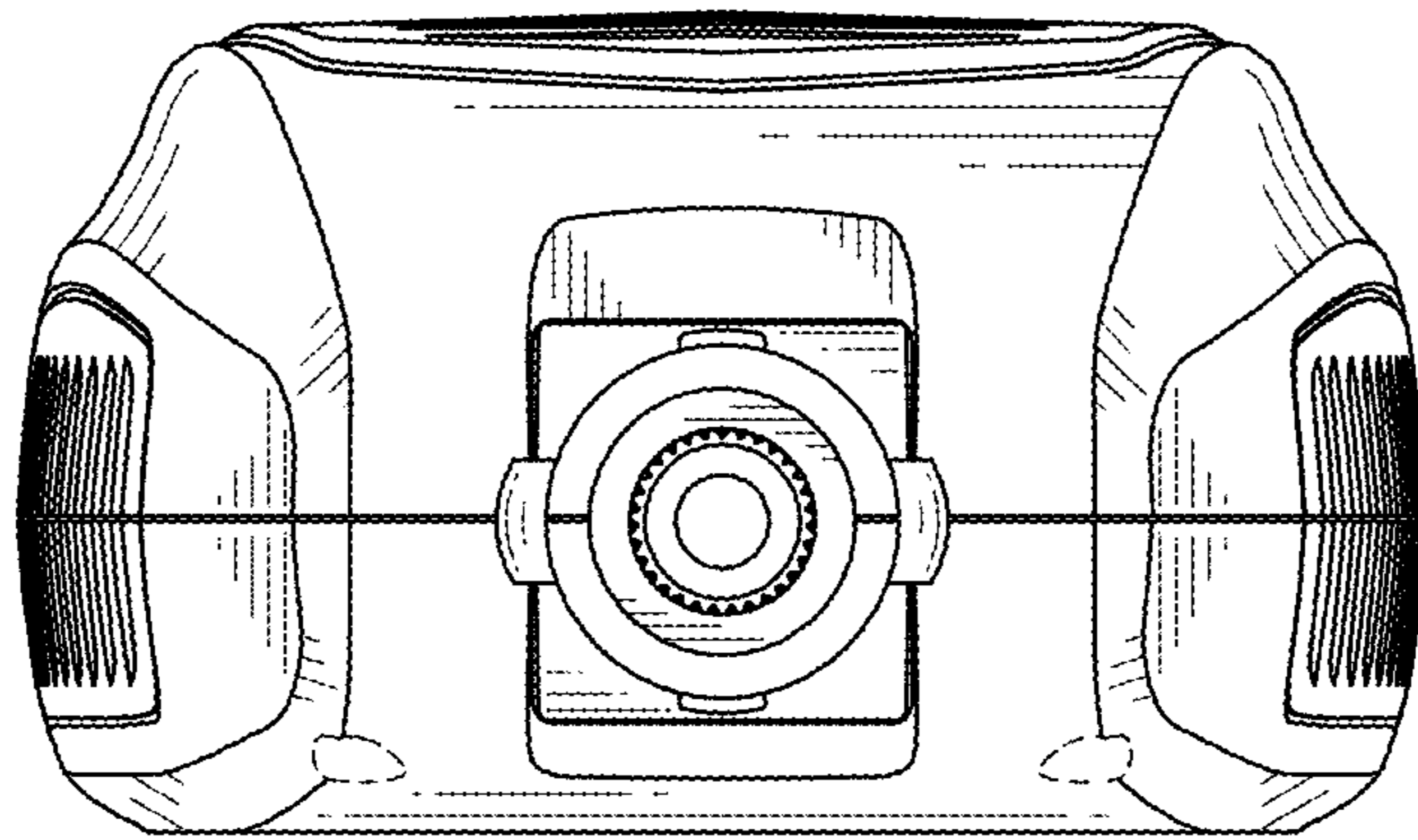


FIG. 3

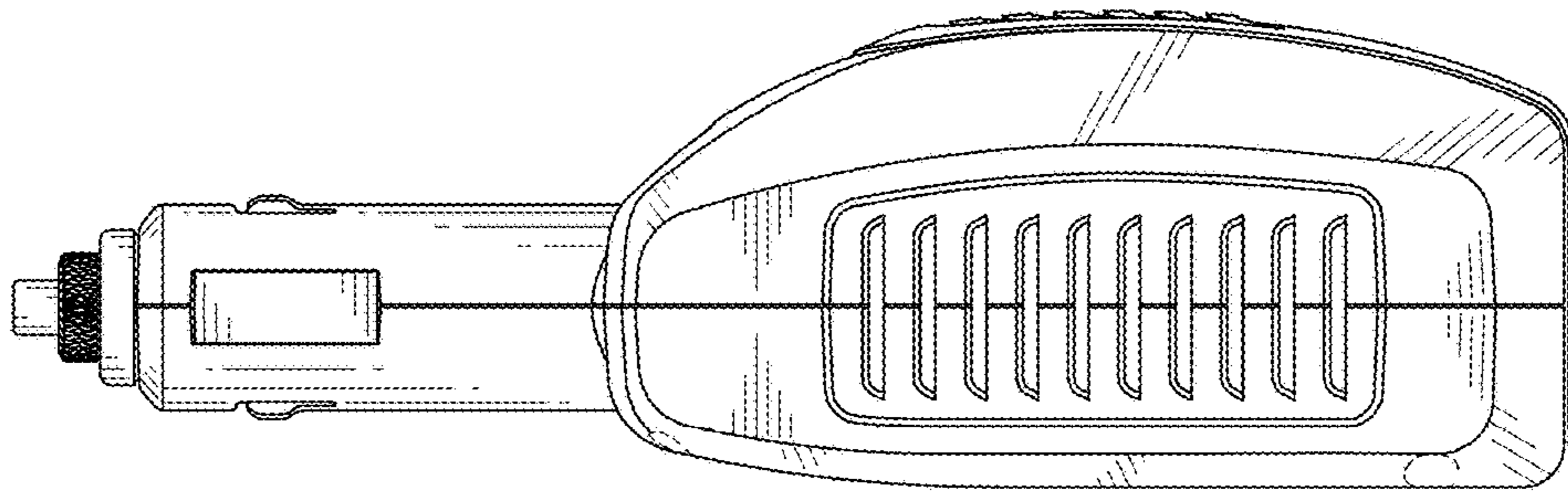


FIG. 4

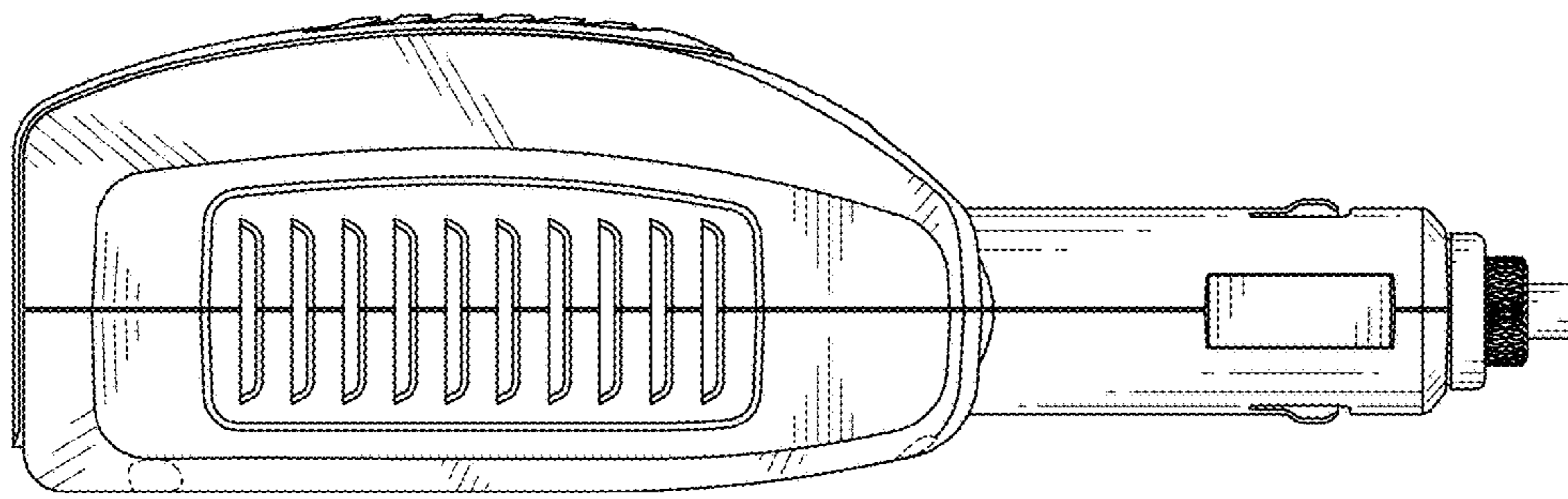


FIG. 5

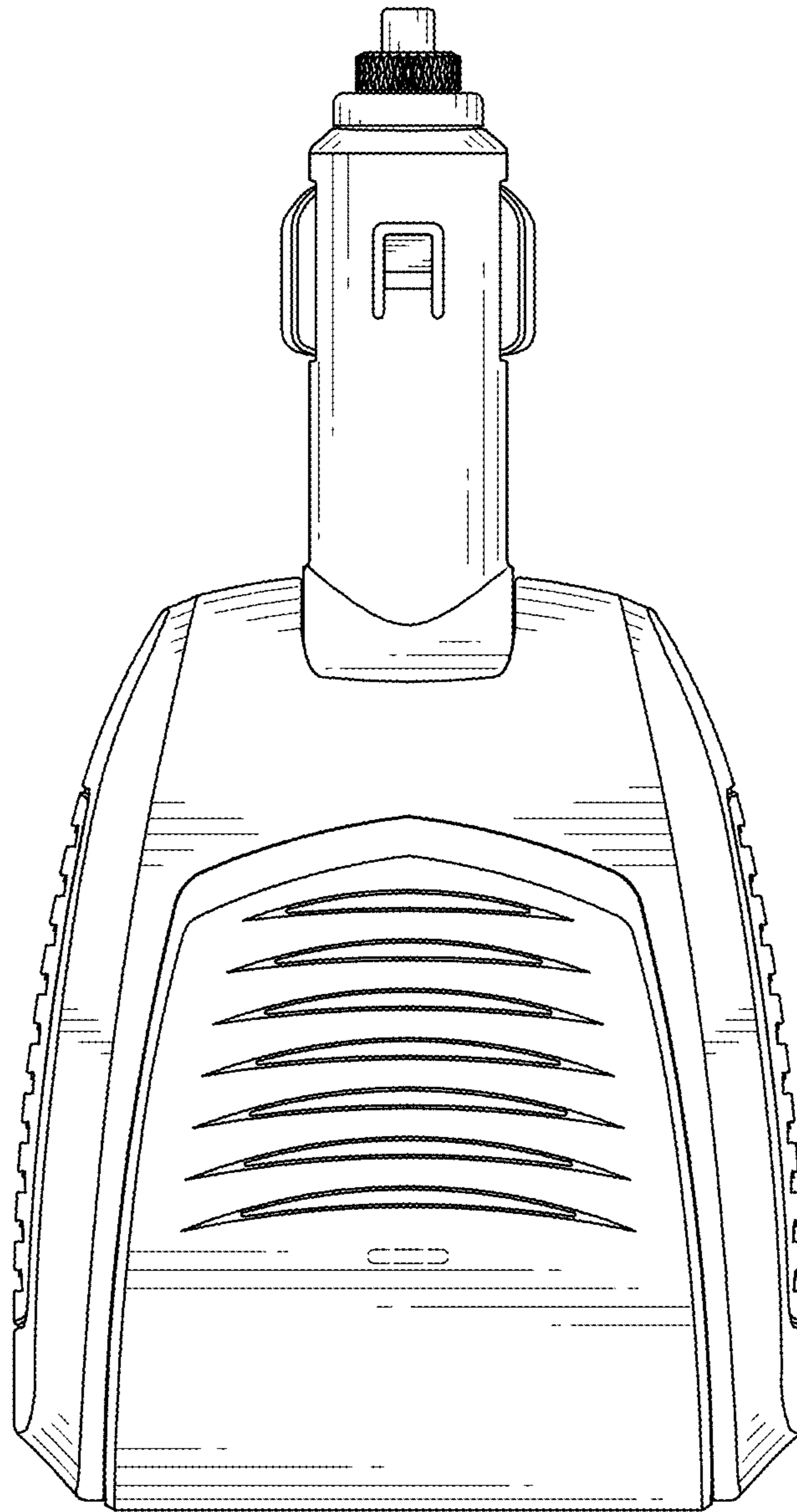


FIG. 6

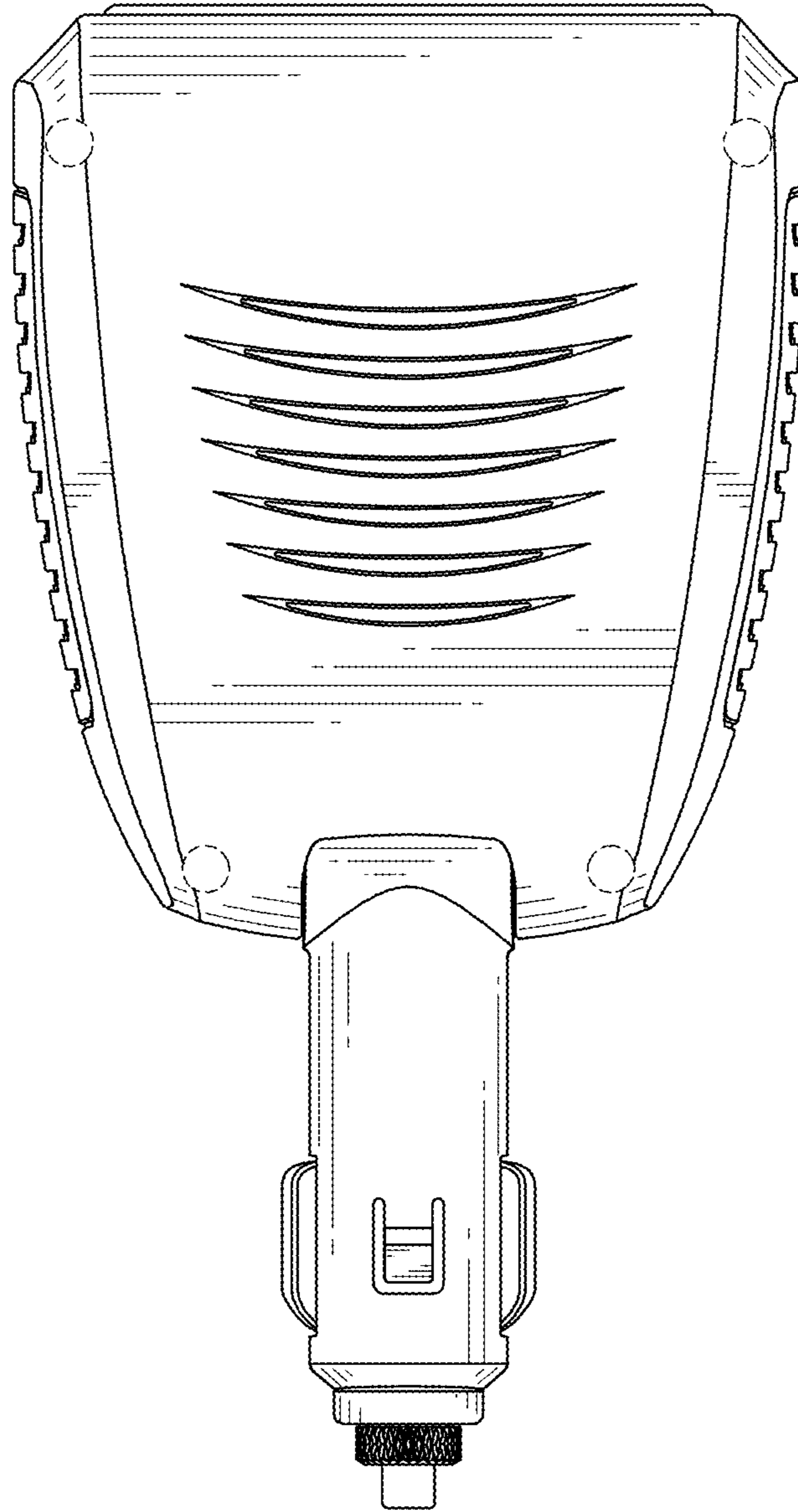


FIG. 7



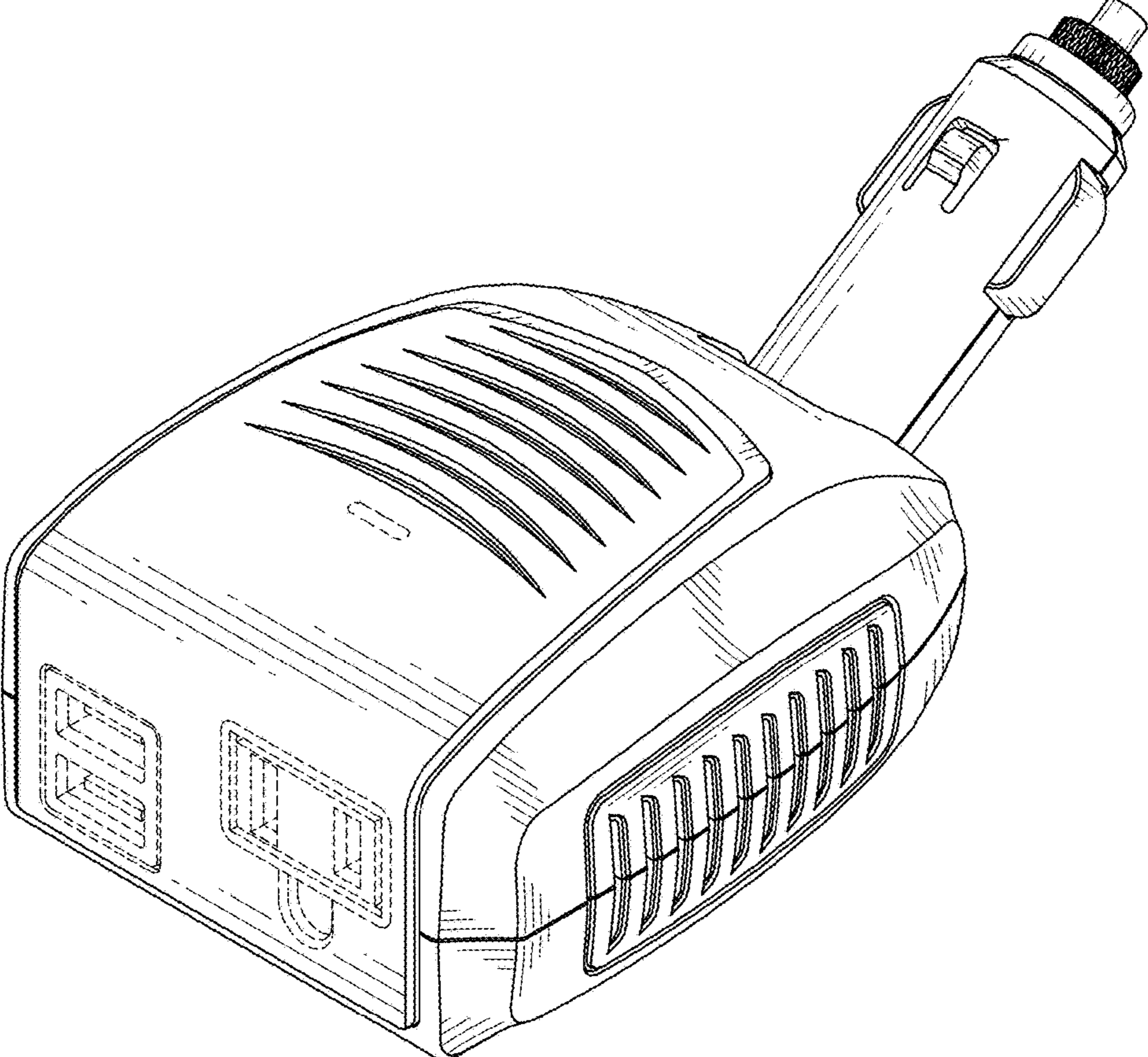


FIG. 8