



US00D823801S

(12) **United States Design Patent**
Ouyang

(10) **Patent No.:** **US D823,801 S**

(45) **Date of Patent:** **** Jul. 24, 2018**

(54) **POWER ADAPTER**

(71) Applicants: **Shenzhen Goeasyled Technology Co., Ltd.**, Shenzhen (CN); **Shenzhen Zhongli Power Technology Co., Ltd.**, Shenzhen (CN)

(72) Inventor: **Pingyuan Ouyang**, Jiangxi (CN)

(**) Term: **15 Years**

(21) Appl. No.: **29/605,837**

(22) Filed: **May 31, 2017**

(51) **LOC (11) Cl.** **13-03**

(52) **U.S. Cl.**
USPC **D13/110**

(58) **Field of Classification Search**
USPC D13/110, 118, 133, 137.1, 137.4, 138.1, D13/138.2, 139.1, 139.4, 139.7, 146, 147, D13/154, 156, 180, 182, 184, 199;
D14/432, 433, 435, 435.1, 436, 437, 438
CPC H01R 13/20; H01R 13/26; H01R 13/434; H01R 13/625; H01R 13/642; H01R 13/652; H01R 13/6581; H01R 13/6582; H01R 13/6583; H01R 13/66; H01R 13/6633; H01R 13/68

See application file for complete search history.

(56) **References Cited**

U.S. PATENT DOCUMENTS

D456,008 S *	4/2002	Kawanobe	D13/110
D638,356 S *	5/2011	Chen	D13/110
D677,223 S *	3/2013	Cho	D13/110
D733,045 S *	6/2015	Venida	D13/107
D744,947 S *	12/2015	Rabalais	D13/108

* cited by examiner

Primary Examiner — Daniel Bui

(74) *Attorney, Agent, or Firm* — Prakash Nama; Global IP Services, PLLC

(57) **CLAIM**

The ornamental design for a power adapter, as shown and described.

DESCRIPTION

FIG. 1 is a front elevational view of a power adapter showing my new design;

FIG. 2 is a rear elevational view thereof;

FIG. 3 is a left side elevational view thereof;

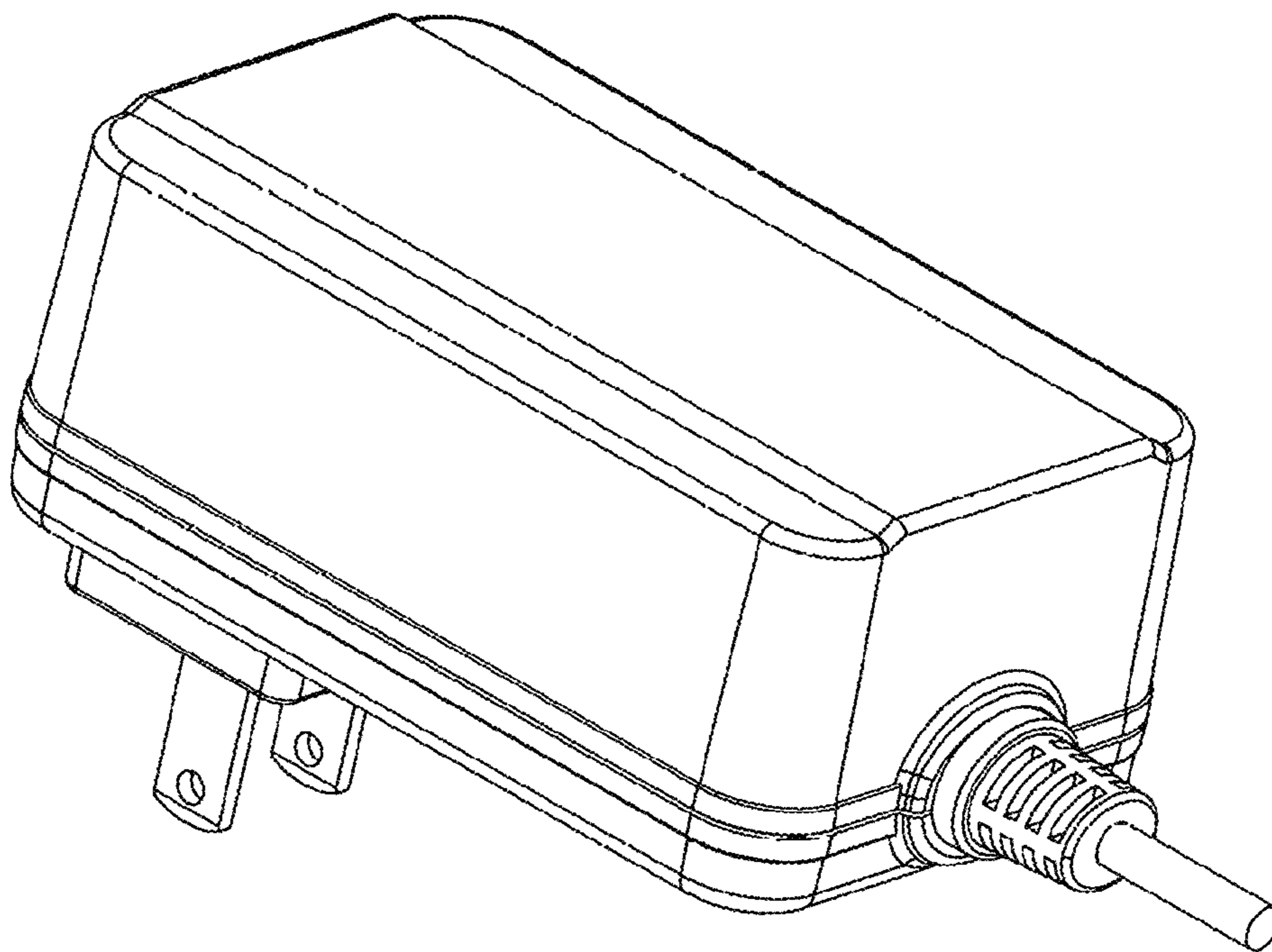
FIG. 4 is a right side elevational view thereof;

FIG. 5 is a bottom plan view thereof; and,

FIG. 6 is a perspective view thereof.

The broken in FIG. 2 represents unclaimed portion of the power adapter and forms no part of the claimed design.

1 Claim, 6 Drawing Sheets



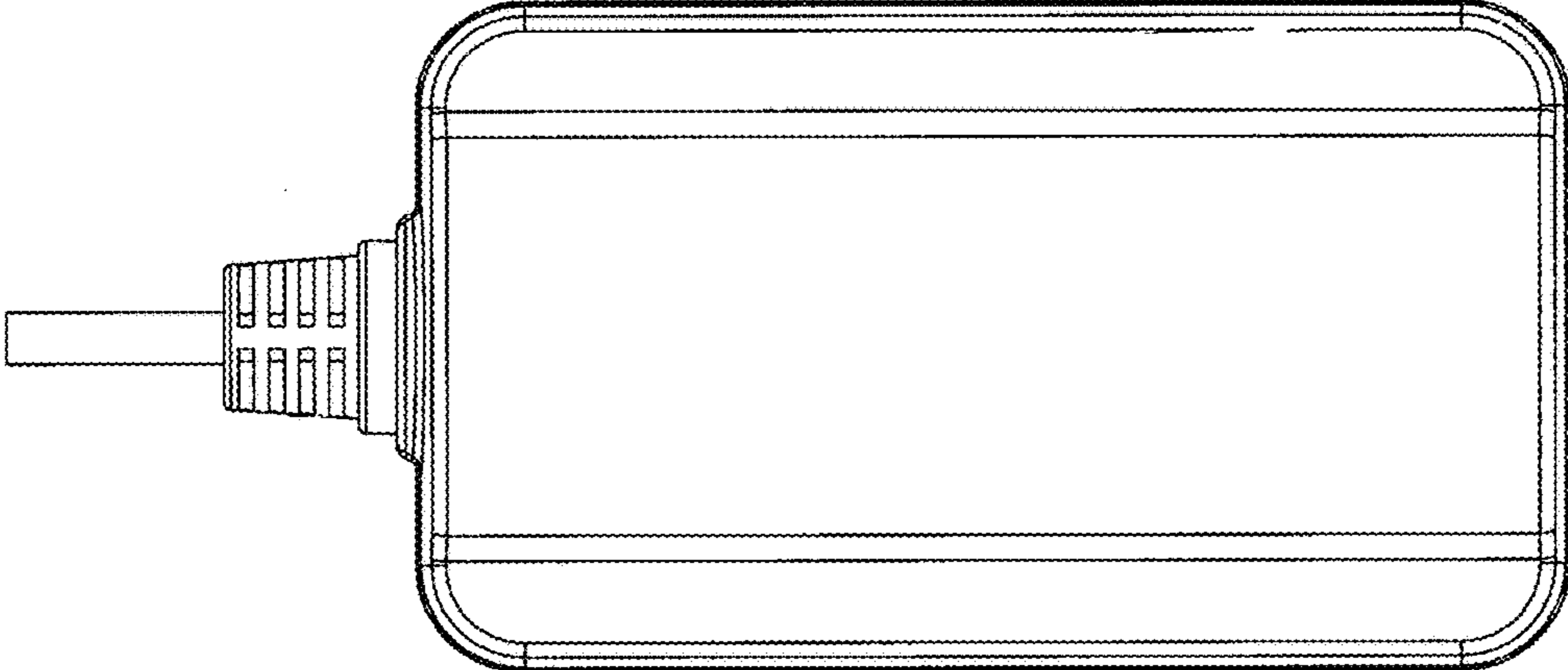


FIG. 1

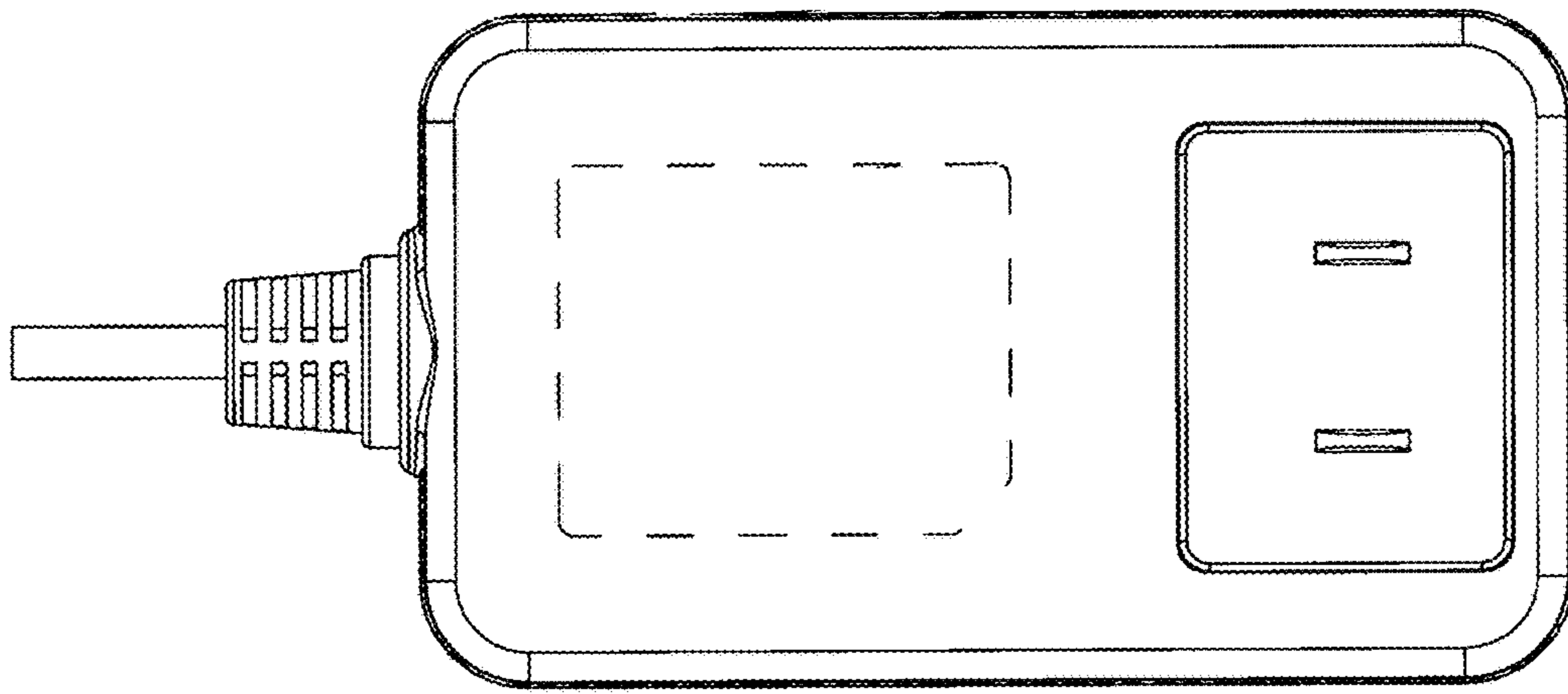


FIG. 2

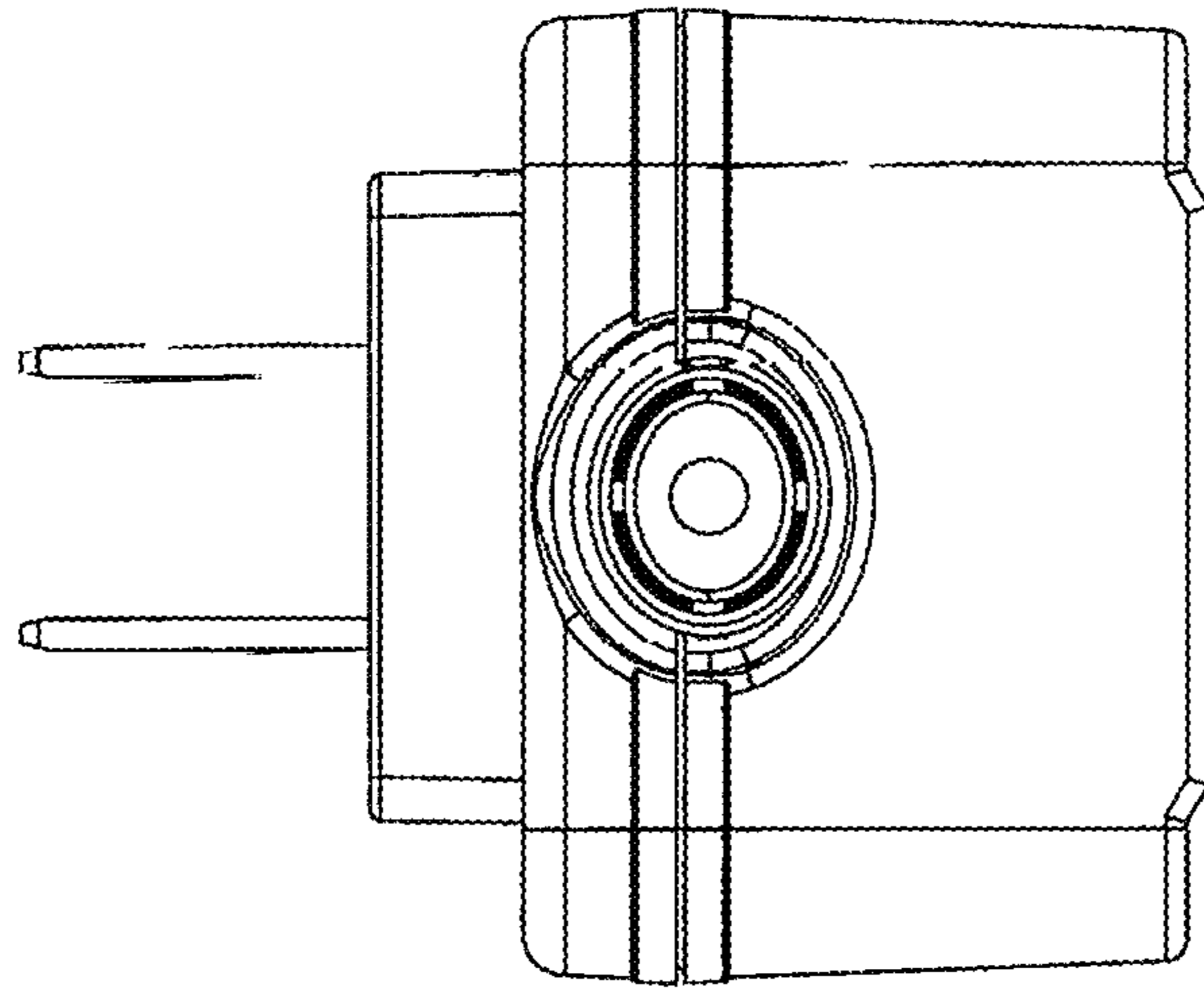


FIG. 3

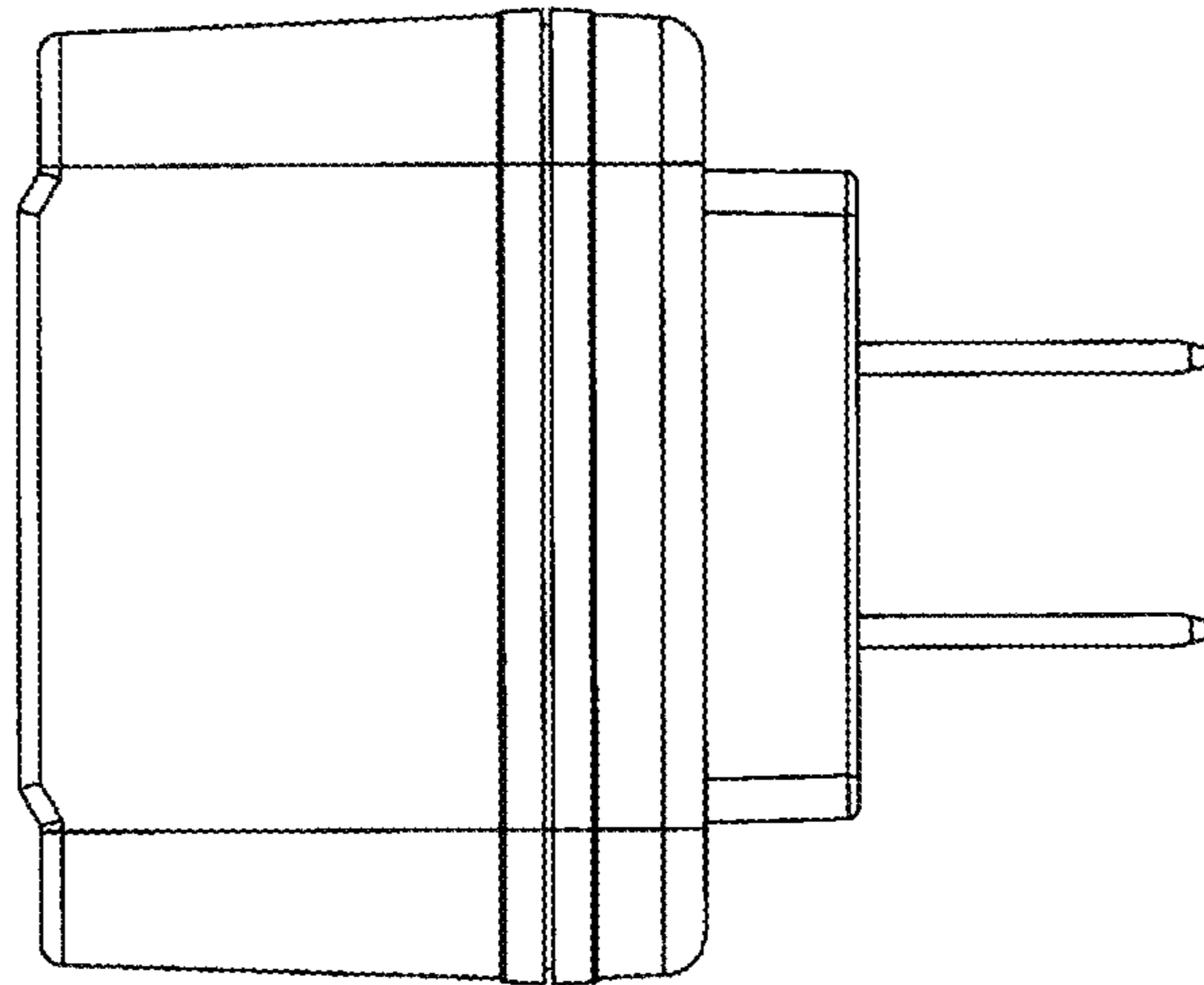


FIG. 4

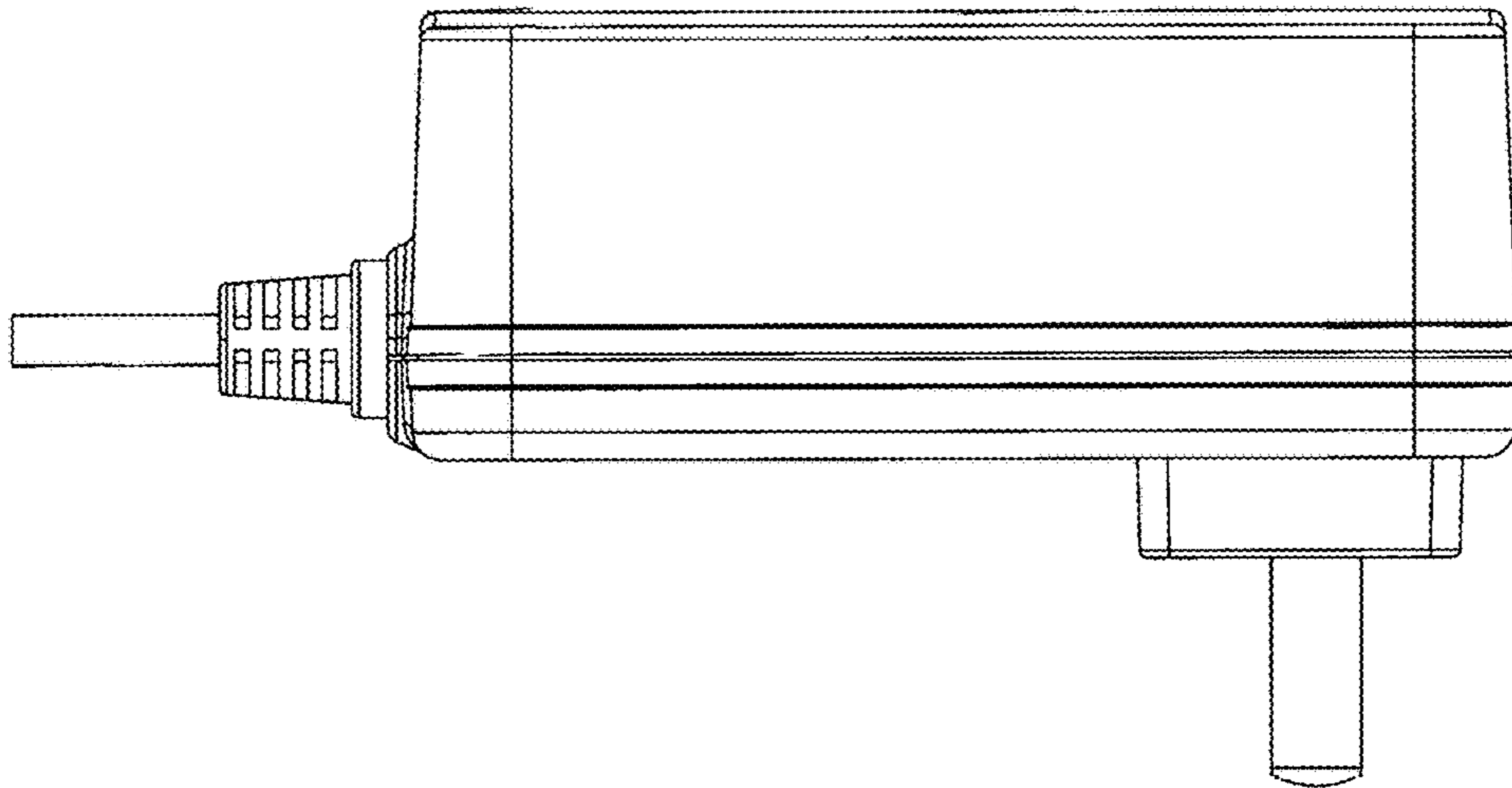


FIG. 5

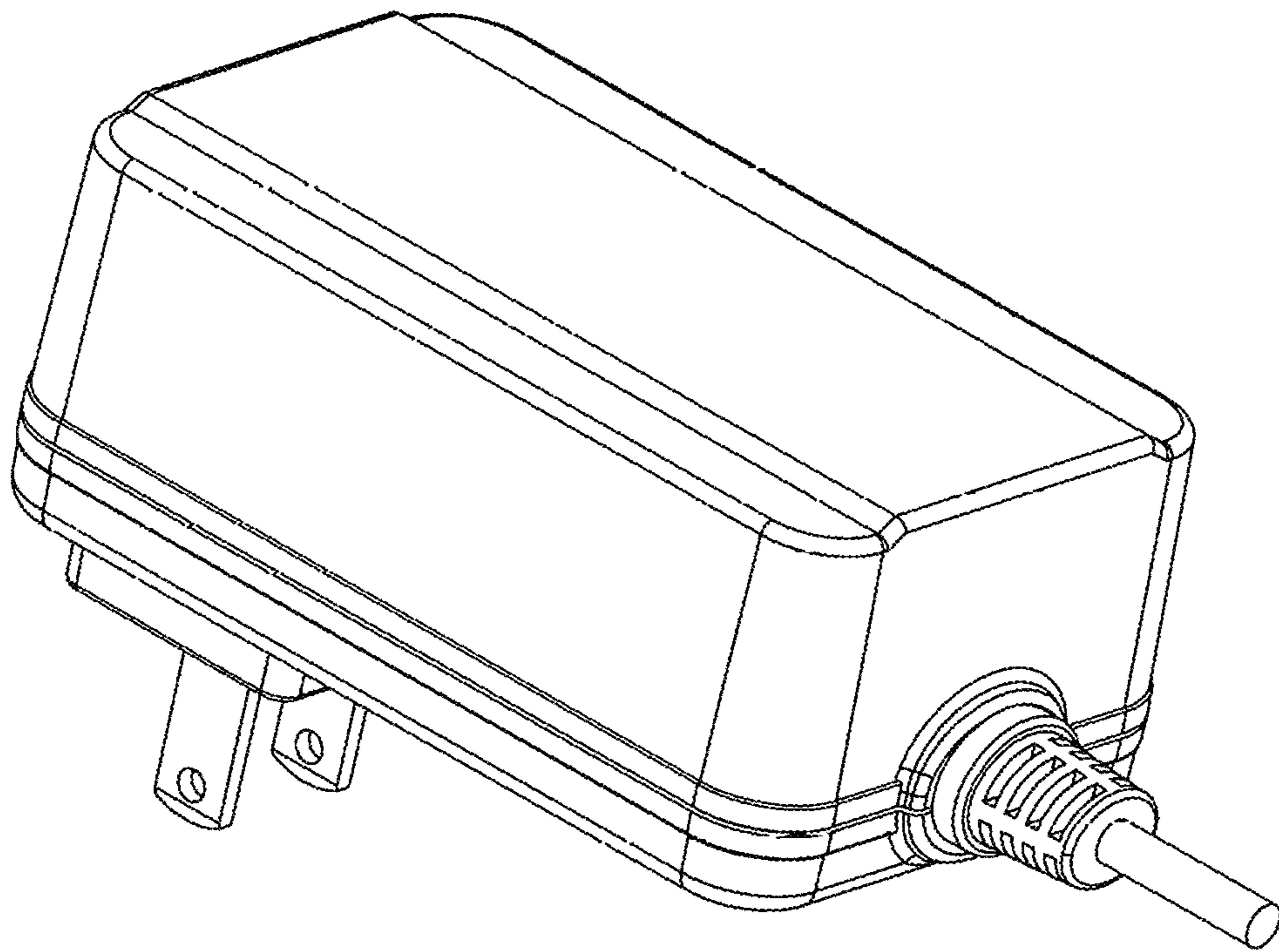


FIG. 6